

阅读申明

- 1.本站收集的数据手册和产品资料都来自互联网，版权归原作者所有。如读者和版权方有任何异议请及时告之，我们将妥善解决。
- 2.本站提供的中文数据手册是英文数据手册的中文翻译，其目的是协助用户阅读，该译文无法自动跟随原稿更新，同时也可能存在翻译上的不当。建议读者以英文原稿为参考以便获得更精准的信息。
- 3.本站提供的产品资料，来自厂商的技术支持或者使用者的心得体会等，其内容可能存在描述上的差异，建议读者做出适当判断。
- 4.如需与我们联系，请发邮件到marketing@iczoom.com，主题请标有“数据手册”字样。

Read Statement

1. The datasheets and other product information on the site are all from network reference or other public materials, and the copyright belongs to the original author and original published source. If readers and copyright owners have any objections, please contact us and we will deal with it in a timely manner.
2. The Chinese datasheets provided on the website is a Chinese translation of the English datasheets. Its purpose is for reader's learning exchange only and do not involve commercial purposes. The translation cannot be automatically updated with the original manuscript, and there may also be improper translations. Readers are advised to use the English manuscript as a reference for more accurate information.
3. All product information provided on the website refer to solutions from manufacturers' technical support or users the contents may have differences in description, and readers are advised to take the original article as the standard.
4. If you have any questions, please contact us at marketing@iczoom.com and mark the subject with "Datasheets" .

SGM7222

High Speed USB 2.0 (480Mbps) DPDT Analog Switch

GENERAL DESCRIPTION

The SGM7222 is a high-speed, low-power double-pole/double-throw (DPDT) analog switch that operates from a single +1.8V to +4.3V power supply.

SGM7222 is designed for the switching of high-speed USB 2.0 signals in handset and consumer applications, such as cell phones, digital cameras, and notebooks with hubs or controllers with limited USB I/Os.

The SGM7222 has low bit-to-bit skew and high channel-to-channel noise isolation, and is compatible with various standards, such as high-speed USB 2.0 (480 Mbps). Each switch is bidirectional and offers little or no attenuation of the high-speed signals at the outputs. Its bandwidth is wide enough to pass high-speed USB 2.0 differential signals (480 Mb/s) with good signal integrity.

The SGM7222 contains special circuitry on the D+/D- pins which allows the device to withstand a V_{BUS} short to D+ or D- when the USB devices are either powered off or powered on.

SGM7222 is available in Pb-free WQFN-10 and MSOP-10 packages. It operates over an ambient temperature range of -40°C to +85°C.

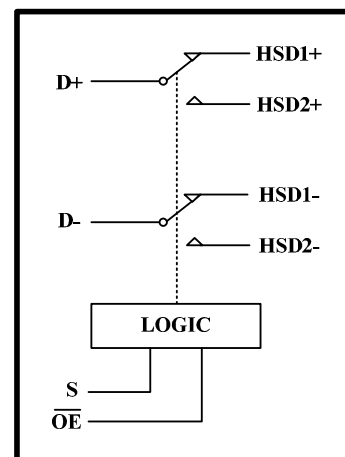
APPLICATIONS

- Route Signals for USB 2.0
- MP3 and Other Personal Media Players
- Digital Cameras and Camcorders
- Portable Instrumentation
- Set-Top Box
- PDA's

FEATURES

- R_{ON} is Typically 4.5Ω at +3.0V
- Low Bit-to-Bit Skew: 50ps (TYP)
- Voltage Operation : +1.8V to +4.3V
- Fast Switching Times:
 - t_{ON} 10ns
 - t_{OFF} 22ns
- Low Crosstalk: -41dB at 250MHz
- Power-Off Protection when $V_+ = 0V$,
D+/D- Pins can Tolerate up to 5.25V
- High Off-Isolation: -35dB at 250MHz
- Rail-to-Rail Input and Output Operation
- Break-Before-Make Switching
- Extended Industrial Temperature Range:
-40°C to +85°C
- Lead (Pb) Free WQFN-10 and MSOP-10 Packages

BLOCK DIAGRAM



ORDERING INFORMATION

MODEL	PIN-PACKAGE	SPECIFIED TEMPERATURE RANGE	ORDERING NUMBER	PACKAGE MARKING	PACKAGE OPTION
SGM7222	MSOP-10	-40°C to +85°C	SGM7222YMS10/TR	SGM7222YMS10	Tape and Reel, 3000
	WQFN-10	-40°C to +85°C	SGM7222YWQ10/TR	7222	Tape and Reel, 3000

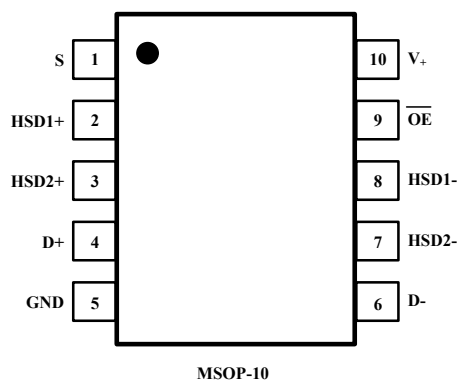
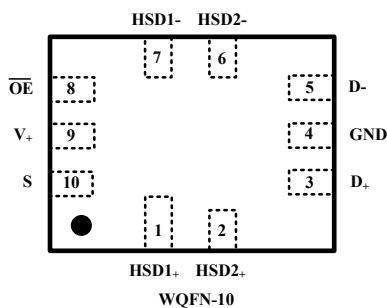
ABSOLUTE MAXIMUM RATINGS

V₊, IN to GND..... 0V to +4.6V
 Analog, Digital voltage range-0.3V to (V₊+0.3V)
 Continuous Current HSDn or Dn.....±100mA
 Peak Current HSDn or Dn.....±150mA
 Operating Temperature Range.....-40°C to +85°C
 Junction Temperature..... +150°C

Storage Temperature.....-65°C to +150°C
 Lead Temperature (soldering, 10s).....+260°C
 ESD Susceptibility
 HBM.....4000V
 MM.....400V

Stresses beyond those listed under “Absolute Maximum Ratings” may cause permanent damage to the device. These are stress ratings only, and functional operation of the device at these or any other conditions beyond those indicated in the operational sections of the specifications is not implied. Exposure to absolute maximum rating conditions for extended periods may affect device reliability.

PIN CONFIGURATIONS (TOP VIEW)



PIN DESCRIPTION

PIN		NAME	FUNCTION
WQFN-10	MSOP-10		
9	10	V ₊	Power Supply
4	5	GND	Ground
10	1	S	Select Input
8	9	$\overline{\text{OE}}$	Output Enable
1,2, 7,6, 3,5	2,3, 8,7, 4,6	HSD1 ₊ , HSD2 ₊ , HSD1 ₋ , HSD2 ₋ , D ₊ , D ₋	Data Ports

FUNCTION TABLE

$\overline{\text{OE}}$	S	HSD1 ₊ HSD1 ₋	HSD2 ₊ HSD2 ₋
0	0	ON	OFF
0	1	OFF	ON
1	×	OFF	OFF

Switches Shown For Logic “0” Input

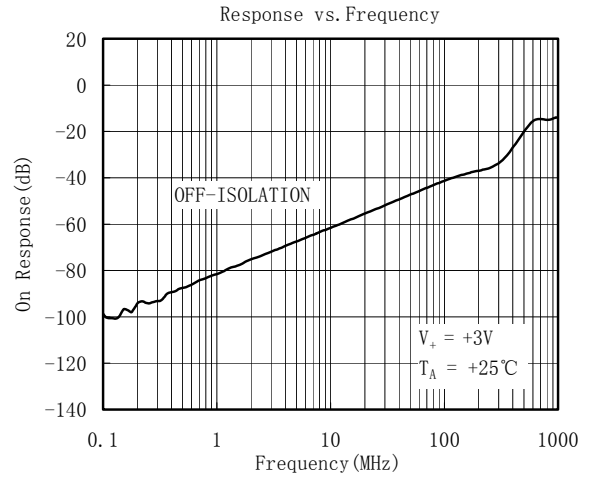
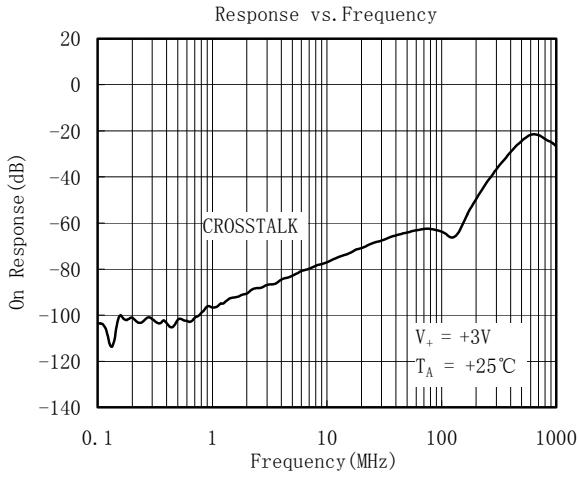
ELECTRICAL CHARACTERISTICS

(V₊ = +1.8V to +4.3V, GND = 0V, V_{IH} = +1.6V, V_{IL} = +0.5V, T_A = -40°C to +85°C. Typical values are at V₊ = +3.3V, T_A = +25°C, unless otherwise noted.)

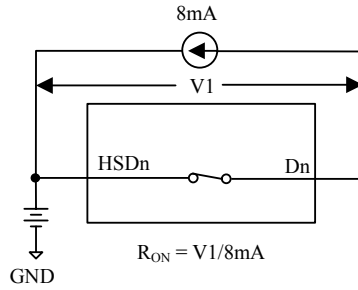
PARAMETER	SYMBOL	CONDITIONS	TEMP	MIN	TPY	MAX	UNITS
ANALOG SWITCH							
Analog I/O Voltage (HSD1 ₊ , HSD1 ₋ , HSD2 ₊ , HSD2 ₋)	V _{IS}		-40°C to +85°C	0		V ₊	V
On-Resistance	R _{ON}	V ₊ = 3.0V, V _{IS} = 0V to 0.4V, I _D = 8mA, Test Circuit 1	+25°C		4.5	8.5	Ω
			-40°C to +85°C			9	
On-Resistance Match Between Channels	ΔR _{ON}	V ₊ = 3.0V, V _{IS} = 0V to 0.4V, I _D = 8mA, Test Circuit 1	+25°C		0.15	0.6	Ω
			-40°C to +85°C			1.6	
On-Resistance Flatness	R _{FLAT(ON)}	V ₊ = 3.0V, V _{IS} = 0V to 1.0V, I _D = 8mA, Test Circuit 1	+25°C		1.5	2.0	Ω
			-40°C to +85°C			2.6	
Power Off Leakage Current (D ₊ , D ₋)	I _{OFF}	V ₊ = 0V, V _D = 0V to 3.6 V, V _S , V _{OE} = 0V or 3.6 V	-40°C to +85°C			1	μA
Increase in I ₋ per Control Voltage	I _{CC1}	V ₊ = 3.6V, V _S or V _{OE} = 2.6 V	-40°C to +85°C			5	μA
Source Off Leakage Current	I _{HSD2(OFF)} , I _{HSD1(OFF)}	V ₊ = 3.6V, V _{IS} = 3.3V/ 0.3V, V _D = 0.3V/ 3.3V	-40°C to +85°C			1	μA
Channel On Leakage Current	I _{HSD2(ON)} , I _{HSD1(ON)}	V ₊ = 3.6V, V _{IS} = 3.3V/ 0.3V, V _D = 3.3V/ 0.3V or floating	-40°C to +85°C			1	μA
DIGITAL INPUTS							
Input High Voltage	V _{IH}		-40°C to +85°C	1.6			V
Input Low Voltage	V _{IL}		-40°C to +85°C			0.5	V
Input Leakage Current	I _{IN}	V ₊ = 3.0V, V _S , V _{OE} = 0V or V ₊	-40°C to +85°C			1	μA
DYNAMIC CHARACTERISTICS							
Turn-On Time	t _{ON}	V _{IS} = 0.8V, R _L = 50Ω, C _L = 10pF, Test Circuit 2	+25°C		10		ns
Turn-Off Time	t _{OFF}		+25°C		22		ns
Break-Before-Make Time Delay	t _D	V _{IS} = 0.8V, R _L = 50Ω, C _L = 10pF, Test Circuit 3	+25°C		4		ns
Propagation Delay	t _{PD}	R _L = 50Ω, C _L = 10pF	+25°C		0.3		ns
Off Isolation	O _{ISO}	Signal = 0dBm, R _L = 50Ω, f = 250MHz, Test Circuit 4	+25°C		-35		dB
Channel-to-Channel Crosstalk	X _{TALK}	Signal = 0dBm, R _L = 50Ω, f = 250MHz, Test Circuit 5	+25°C		-41		dB
-3dB Bandwidth	BW	Signal = 0dBm, R _L = 50Ω, C _L = 5pF, Test Circuit 6	+25°C		550		MHz
Channel-to-Channel Skew	t _{SKEW}	R _L = 50Ω, C _L = 10pF	+25°C		0.05		ns
Charge Injection Select Input to Common I/O	Q	V _G = GND, C _L = 1.0nF, R _G = 0Ω, Q = C _L × V _{OUT} , Test Circuit 7	+25°C		11		pC
HSD ₊ , HSD ₋ , D ₊ , D ₋ ON Capacitance	C _{ON}		+25°C		6.5		pF
POWER REQUIREMENTS							
Power Supply Range	V ₊		-40°C to +85°C	1.8		4.3	V
Power Supply Current	I ₋	V ₊ = 3.0V, V _S , V _{OE} = 0V or V ₊	-40°C to +85°C			1	μA

Specifications subject to changes without notice.

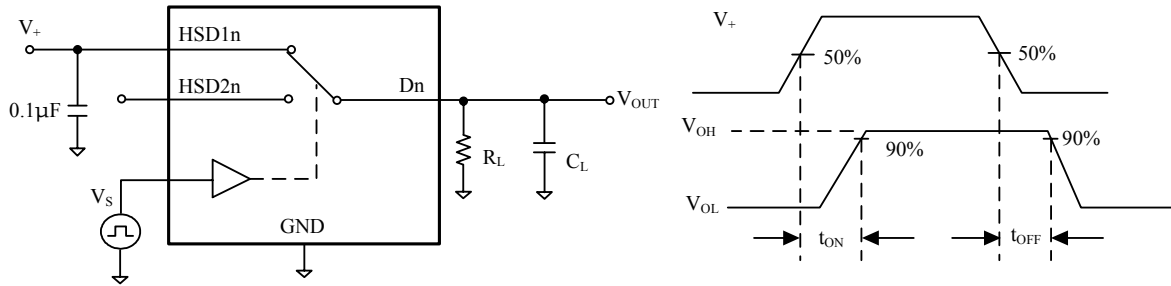
TYPICAL PERFORMANCE CHARACTERISTICS



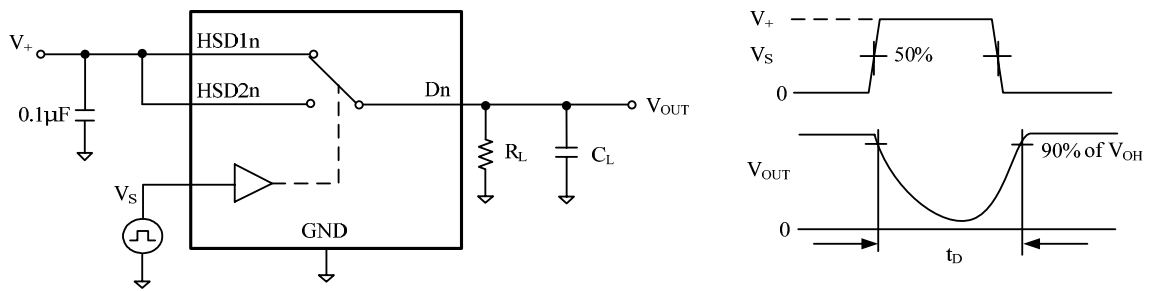
TEST CIRCUITS



Test Circuit 1. On Resistance

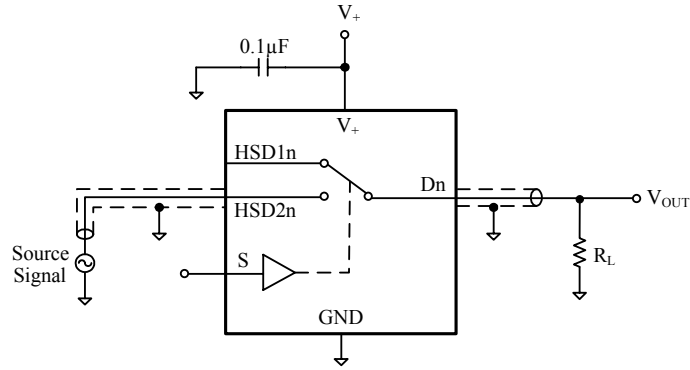


Test Circuit 2. Switching Times (t_{ON} , t_{OFF})

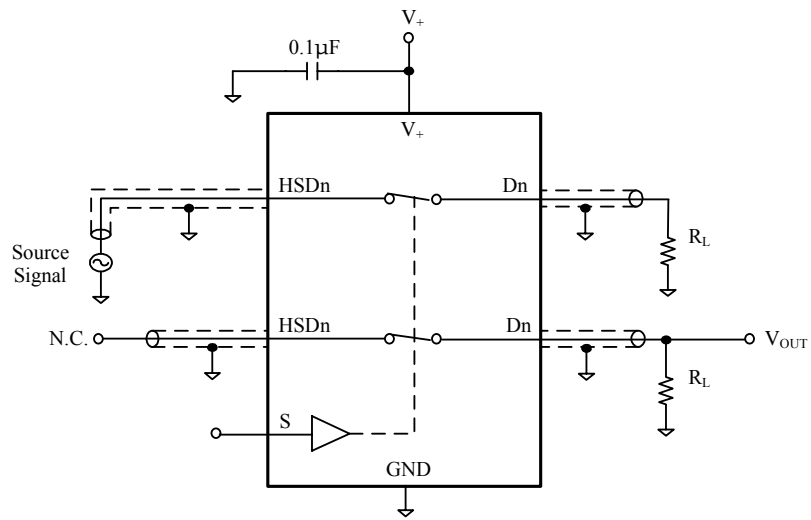


Test Circuit 3. Break-Before-Make Time (t_D)

TEST CIRCUITS (Cont.)



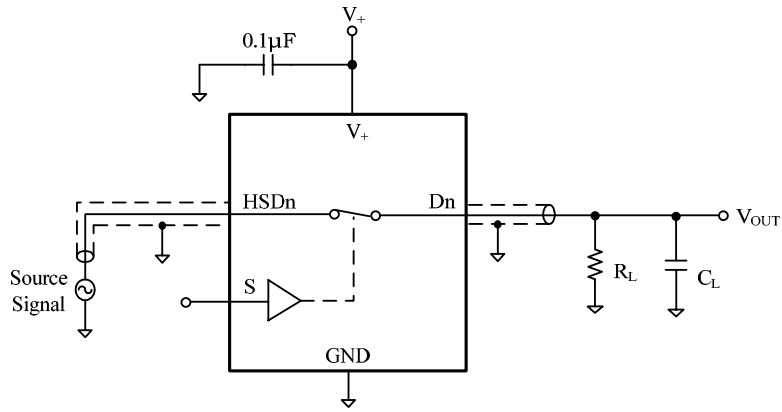
Test Circuit 4. Off Isolation



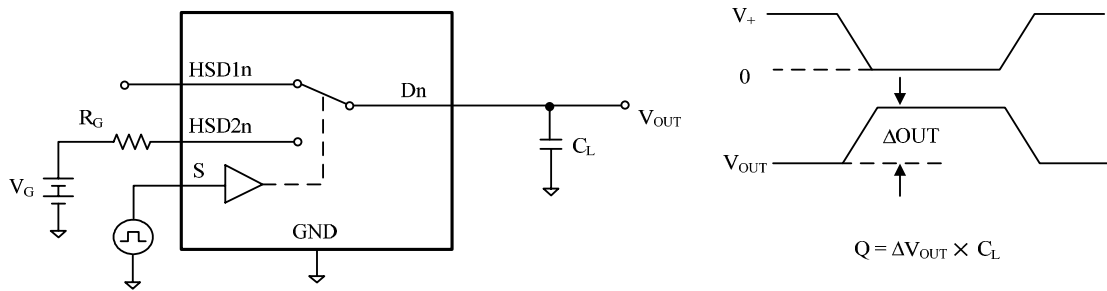
$$\text{Channel To Channel Crosstalk} = -20 \times \log \frac{V_{\text{HSDn}}}{V_{\text{OUT}}}$$

Test Circuit 5. Channel-to-Channel Crosstalk

TEST CIRCUITS (Cont.)



Test Circuit 6. -3dB Bandwidth



Test Circuit 7. Charge Injection (Q)

APPLICATION NOTES:

Meeting USB 2.0 V_{BUS} Short Requirements

In section 7.1.1 of the USB 2.0 specification, it notes that USB devices must be able to withstand a V_{BUS} short to D+ or D- when the USB device is either powered off or powered on. The SGM7222 can be successfully configured to meet both these requirements.

Power-Off Protection

For a V_{BUS} short circuit, the switch is expected to withstand such a condition for at least 24 hours. The SGM7222 has specially designed circuitry which prevents unintended signal bleed through as well as guaranteed system reliability during a power-down, over-voltage condition. The protection has been added to the common pins (D+, D-).

Power-On Protection

The USB 2.0 specification also notes that the USB device should be capable of withstanding a V_{BUS} short during transmission of data. This modification works by limiting current flow back into the V+ rail during the over-voltage event so current remains within the safe operating range. In this application, the switch passes the full 5.25V input signal through to the selected output, while maintaining specified off isolation on the un-selected pins.

SGM7222 USB2.0 Signal Quality Compliance Tests

Figures 1 and 2 show the test results for USB eye diagram tests. A summary of the USB tests is provided in Table 1. The SGM7222 passes the high speed signal quality, eye diagram and jitter tests.

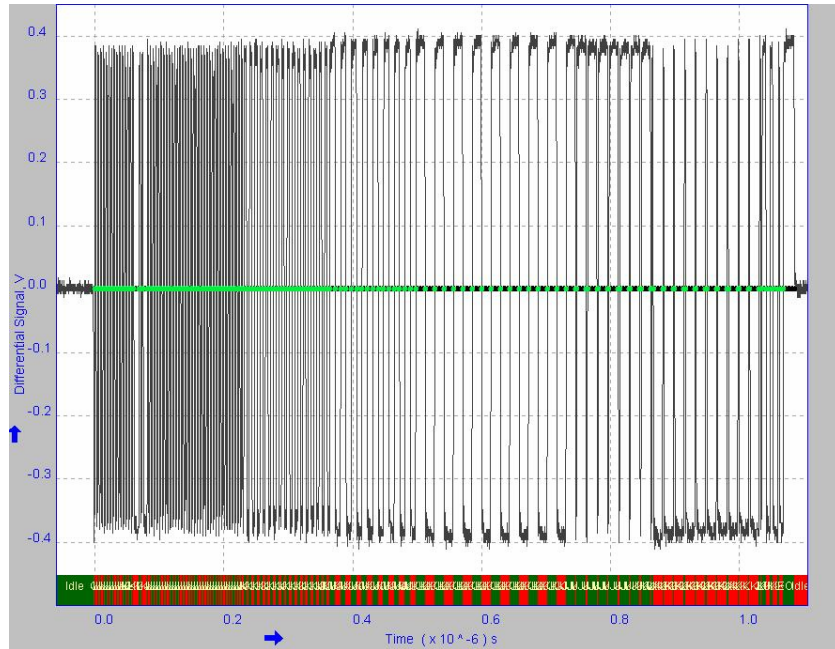


Figure 1. Waveform Plot

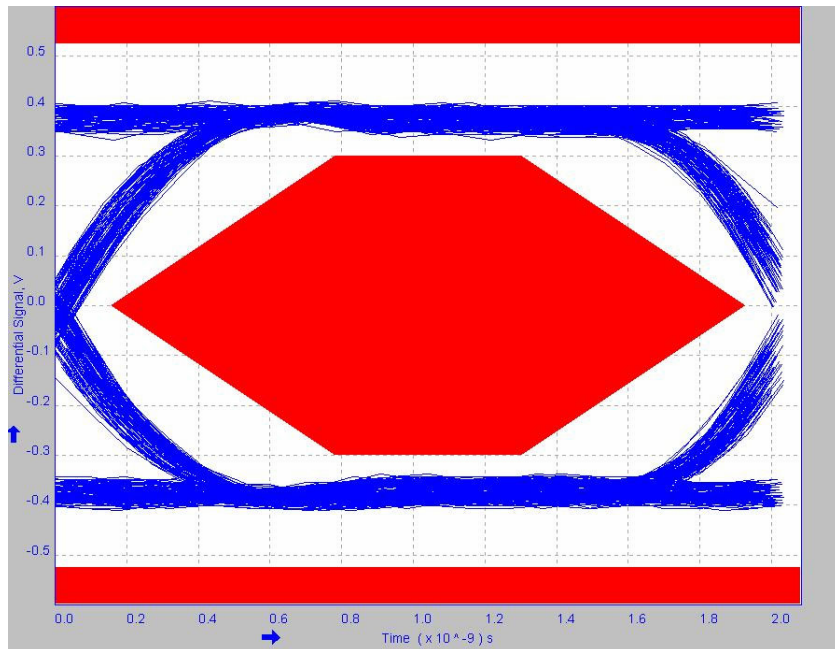


Figure 2. High Speed Signal Quality Eye Diagram Test (V+ = 3.3V)

SGM7222 USB2.0 Signal Quality Compliance Tests (Cont.)

Table 1. Summary of the USB 2.0 Signal Quality Tests Results

Measurement Name	MIN	MAX	Mean	pk-pk	Standard Deviation	RMS	Population	Status
Eye Diagram Test	-	-	-	-	-	-	-	Pass
Signal Rate	469.9358 Mbps	493.4413 Mbps	479.9700 Mbps	0.0000 bps	5.586580 Mbps	480.4200 Mbps	512	Pass
EOP Width	-	-	16.58804ns	-	-	-	1	Pass
EOP Width (Bits)	-	-	7.961762	-	-	-	1	Pass
Falling Edge Rate	1.064231 kV/ μ s	1.228955 kV/ μ s	1.143136 kV/ μ s	164.7235 V/ μ s	35.43800 V/ μ s	1.143680 kV/ μ s	107	Pass
Rising Edge Rate	1.063269 kV/ μ s	1.227966 kV/ μ s	1.136558 kV/ μ s	164.6970 V/ μ s	31.49494 V/ μ s	1.136990 kV/ μ s	108	Pass

Additional Information:

Consecutive Jitter range: -82.97ps to 72.87ps RMS Jitter 35.08ps

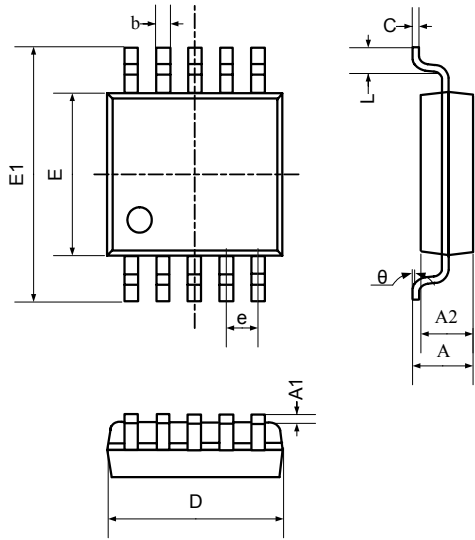
KJ Paired Jitter range: -25.05ps to 23.05ps RMS Jitter 9.259ps

JK Paired Jitter range: -20.96ps to 30.12ps RMS Jitter 9.734ps

- Rising Edge Rate: 1.136558kV/ μ s (Equivalent Rise Time = 563.10ps)
- Falling Edge Rate: 1.143136kV/ μ s (Equivalent Fall Time = 559.86ps)

PACKAGE OUTLINE DIMENSIONS

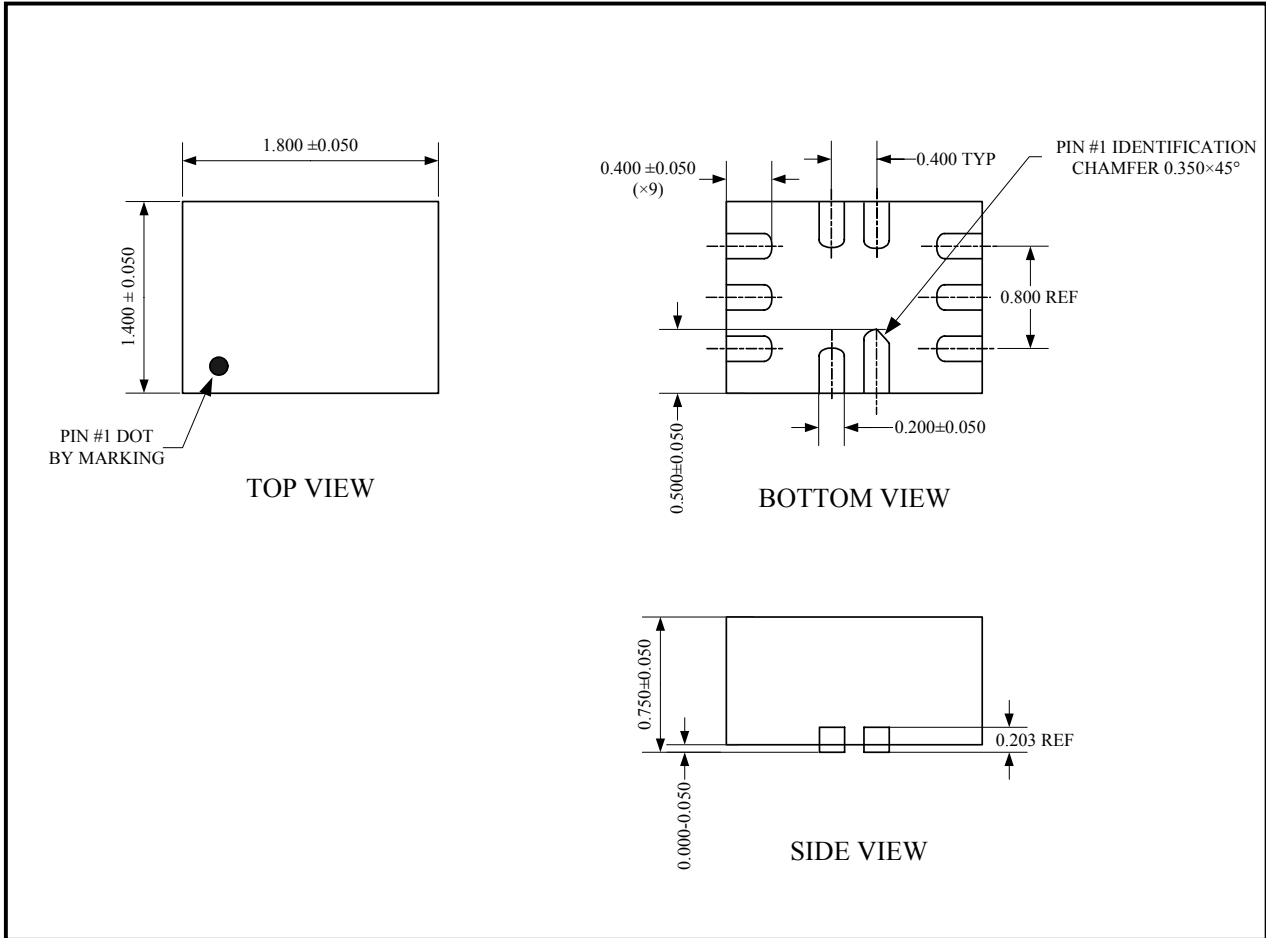
MSOP-10



Symbol	Dimensions In Millimeters		Dimensions In Inches	
	Min	Max	Min	Max
A	0.800	1.200	0.031	0.047
A1	0.000	0.200	0.000	0.008
A2	0.760	0.970	0.030	0.038
b	0.30 TYP		0.012 TYP	
c	0.152 TYP		0.006 TYP	
D	2.900	3.100	0.114	0.122
e	0.50 TYP		0.020 TYP	
E	2.900	3.100	0.114	0.122
E1	4.700	5.100	0.185	0.201
L	0.410	0.650	0.016	0.026
θ	0°	6°	0°	6°

PACKAGE OUTLINE DIMENSIONS

WQFN-10



Note: All linear dimensions are in millimeters.

REVISION HISTORY

Location

Page

04/2008— Data Sheet REV. A

SGMICRO

SGMICRO is dedicated to provide high quality and high performance analog IC products to customers. All SGMICRO products meet the highest industry standards with strict and comprehensive test and quality control systems to achieve world-class consistency and reliability.

For information regarding SGMICRO Corporation and its products, see www.sg-micro.com