

阅读申明

- 1.本站收集的数据手册和产品资料都来自互联网，版权归原作者所有。如读者和版权方有任何异议请及时告之，我们将妥善解决。
- 2.本站提供的中文数据手册是英文数据手册的中文翻译，其目的是协助用户阅读，该译文无法自动跟随原稿更新，同时也可能存在翻译上的不当。建议读者以英文原稿为参考以便获得更精准的信息。
- 3.本站提供的产品资料，来自厂商的技术支持或者使用者的心得体会等，其内容可能存在描述上的差异，建议读者做出适当判断。
- 4.如需与我们联系，请发邮件到marketing@iczoom.com，主题请标有“数据手册”字样。

Read Statement

1. The datasheets and other product information on the site are all from network reference or other public materials, and the copyright belongs to the original author and original published source. If readers and copyright owners have any objections, please contact us and we will deal with it in a timely manner.
2. The Chinese datasheets provided on the website is a Chinese translation of the English datasheets. Its purpose is for reader's learning exchange only and do not involve commercial purposes. The translation cannot be automatically updated with the original manuscript, and there may also be improper translations. Readers are advised to use the English manuscript as a reference for more accurate information.
3. All product information provided on the website refer to solutions from manufacturers' technical support or users the contents may have differences in description, and readers are advised to take the original article as the standard.
4. If you have any questions, please contact us at marketing@iczoom.com and mark the subject with "Datasheets" .



SGM9115

Triple, 9MHz, 3rd-Order SDTV Video Filter Driver

PRODUCT DESCRIPTION

SGM9115 is a video buffer which integrates triple 6dB gain rail-to-rail output drivers and triple 3rd-order output reconstruction filters with a -3dB bandwidth of 9MHz and 44V/ μ s slew rate. Operating from single power supply ranging from 3.3V to 5.5V, the SGM9115 provides improved image quality compared with passive LC filters and discrete drivers solution.

SGM9115 can be DC-coupled or AC-coupled with input video signal, such as the output stage of DAC to eliminate out-of-band noise. Internal diode clamps and bias circuitry may be used if AC-coupled inputs are required. SGM9115 also integrates an internal level shift circuit which avoids sync-pulse being clipped and allows DC-coupled output. The drivers in SGM9115 can drive DC- or AC-coupled single (150 Ω) or dual (75 Ω) loads.

The SGM9115 is available in Green SOIC-8 package and ESD (HBM) reaches 8KV.

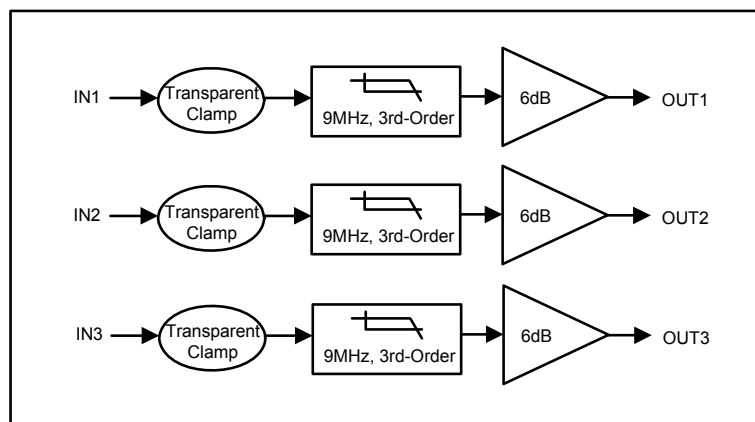
FEATURES

- Triple 3rd-Order 9MHz (SD) Filters
- Transparent Input Clamping
- 6dB Output Driver Gain and Drive Dual Video Loads
- Rail-to-Rail Output
- Input Voltage Range Includes Ground
- AC- or DC-Coupled Inputs
- AC- or DC-Coupled Outputs
- Operates from 3.3V to 5.5V Single Power Supply
- Available in Green SOIC-8 Package

APPLICATIONS

Video Amplifiers
Cable and Satellite Set-Top Boxes
Communication Devices
Video on Demand
Portable and Handheld Products
Personal Video Recorders
DVD Players
SDTVs

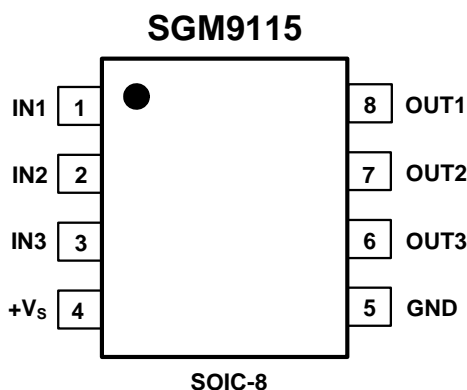
BLOCK DIAGRAM



PACKAGE/ORDERING INFORMATION

ORDER NUMBER	PACKAGE DESCRIPTION	TEMPERATURE RANGE	PACKAGE OPTION	MARKING INFORMATION
SGM9115XS/TR	SOIC-8	-40°C to +125°C	Tape and Reel, 2500	SGM9115XS

PIN CONFIGURATION (TOP VIEW)



PIN DESCRIPTION

PIN	NAME	FUNCTION
1	IN1	Video Input. Channel 1.
2	IN2	Video Input. Channel 2.
3	IN3	Video Input. Channel 3.
4	+Vs	Power Supply.
5	GND	Ground.
6	OUT3	Filtered Output. Channel 3.
7	OUT2	Filtered Output. Channel 2.
8	OUT1	Filtered Output. Channel 1.

ABSOLUTE MAXIMUM RATINGS

Supply Voltage, GND to +Vs	7.5V
Input Voltage	GND - 0.3 V to (+Vs) + 0.3V
Storage Temperature Range	-65°C to +150°C
Junction Temperature	160°C
Operating Temperature Range	-40°C to +125°C
Power Dissipation, P _D @ T _A = 25°C	
SOIC-8	0.8W
Package Thermal Resistance	
SOIC-8, θ _{JA}	128°C/W
Lead Temperature Range (Soldering 10 sec)	
	260°C
ESD Susceptibility	
HBM	8000V
MM	400V

NOTE:

Stresses beyond those listed under “Absolute Maximum Ratings” may cause permanent damage to the device. These are stress ratings only, and functional operation of the device at these or any other conditions beyond those indicated in the operational sections of the specifications is not implied. Exposure to absolute maximum rating conditions for extended periods may affect device reliability.

CAUTION

This integrated circuit can be damaged by ESD if you don't pay attention to ESD protection. SGMICRO recommends that all integrated circuits be handled with appropriate precautions. Failure to observe proper handling and installation procedures can cause damage. ESD damage can range from subtle performance degradation to complete device failure. Precision integrated circuits may be more susceptible to damage because very small parametric changes could cause the device not to meet its published specifications.

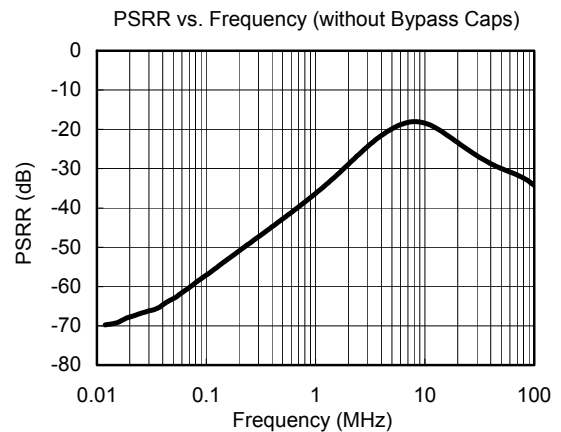
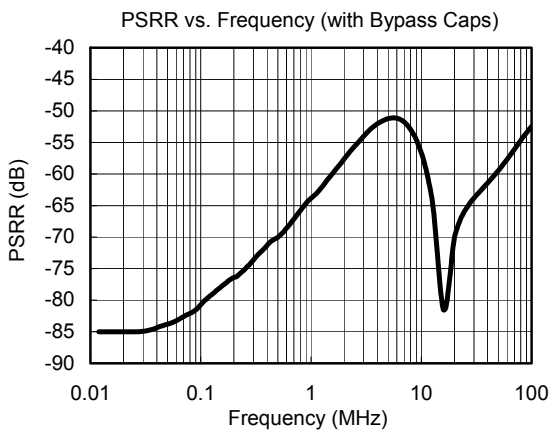
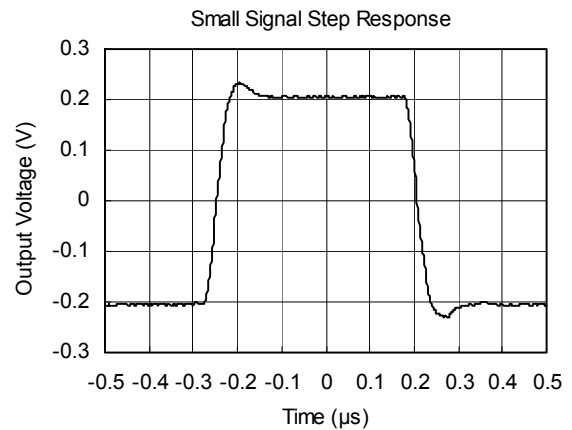
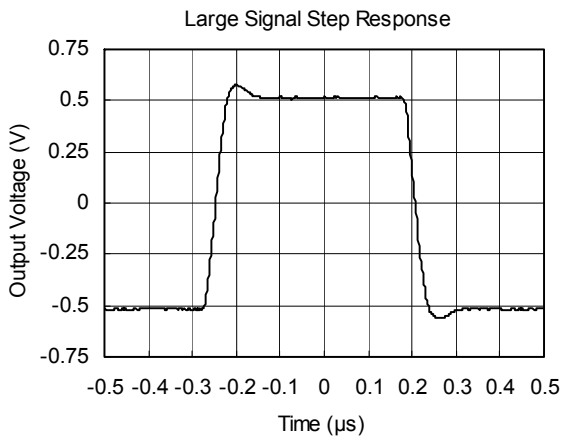
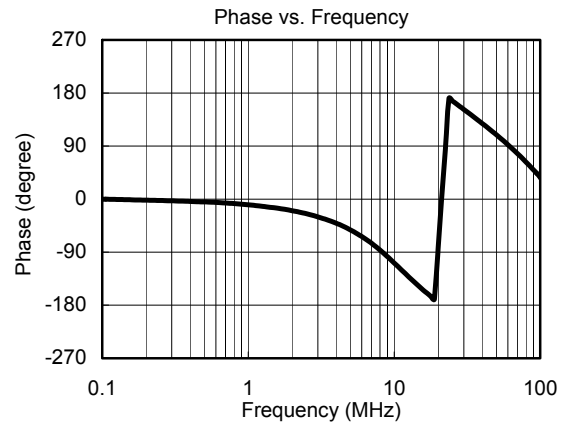
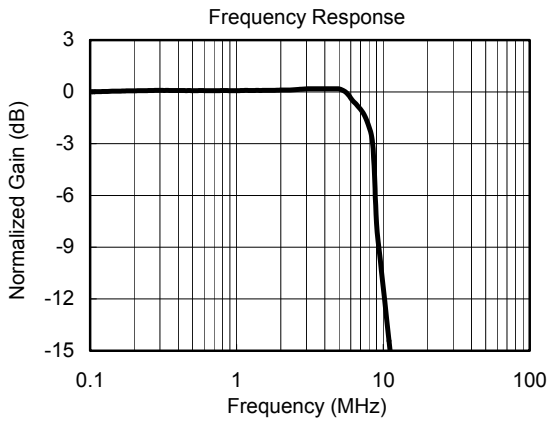
SGMICRO reserves the right to make any change in circuit design, specification or other related things if necessary without notice at any time. Please contact SGMICRO sales office to get the latest datasheet.

ELECTRICAL CHARACTERISTICS: $V_S = +5.0V$ (At $R_L = 150\Omega$ connected to GND, $V_{IN} = 1V_{PP}$ and $C_{IN} = 0.1\mu F$, all outputs AC-coupled with $220\mu F$, unless otherwise noted.)

PARAMETER	CONDITIONS	SGM9115						
		TYP	MIN/MAX OVER TEMPERATURE				UNITS	MIN/ MAX
		+25°C	+25°C	-40°C to +85°C	-40°C to +125°C			
INPUT CHARACTERISTICS								
Output Level Shift Voltage (V_{OLS})	$V_{IN} = 0V$, No load	380	570	670	700	mV	MAX	
Input Voltage Clamp (V_{CLAMP})	$I_{IN} = -1mA$	-105	-220	-300	-350	mV	MIN	
Clamp Charge Current	$V_{IN} = V_{CLAMP} - 100mV$	-5	-5.9	-8.0	-9.0	mA	MIN	
Voltage Gain (A_v)	$R_L = 150\Omega$	2.0	1.95	1.91	1.90	V/V	MIN	
			2.04	2.08	2.09	V/V	MAX	
OUTPUT CHARACTERISTICS								
Output Voltage High Swing	$V_{IN} = 3V$, $R_L = 150\Omega$ to GND	4.4	4.3	4.25	4.2	V	MIN	
POWER SUPPLY								
Operating Voltage Range			3.3			V	MIN	
			5.5			V	MAX	
Power Supply Rejection Ratio (PSRR)	$V_S = 3.3V$ to $5.5V$	60	58	57	56	dB	MIN	
Quiescent Current (I_Q)	$V_{IN} = 500mV$	21	26	30	33	mA	MAX	
DYNAMIC PERFORMANCE								
$\pm 0.1dB$ Bandwidth	$R_L = 150\Omega$	5.5				MHz	TYP	
-3dB Bandwidth	$R_L = 150\Omega$	9.0				MHz	TYP	
Filter Response								
Normalized Gain: $f_{IN} = 27MHz$		-46				dB	TYP	
Slew Rate	20% to 80%, $V_{IN} = 1V$ Step	44				V/ μs	TYP	
Differential Gain (DG)	NTSC & PAL DC-coupled	0.57				%	TYP	
	NTSC & PAL AC-coupled	0.86				%	TYP	
Differential Phase (DP)	NTSC & PAL DC-coupled	0.85				°	TYP	
	NTSC & PAL AC-coupled	1.41				°	TYP	
Group Delay Variation (D/DT)	Difference between 400kHz and 6.5MHz	31				ns	TYP	
Crosstalk (channel-to-channel)	at 1MHz	-64				dB	TYP	
Fall Time	$2.0V_{STEP}$, 80% to 20%	36				ns	TYP	
Rise Time	$2.0V_{STEP}$, 80% to 20%	38				ns	TYP	

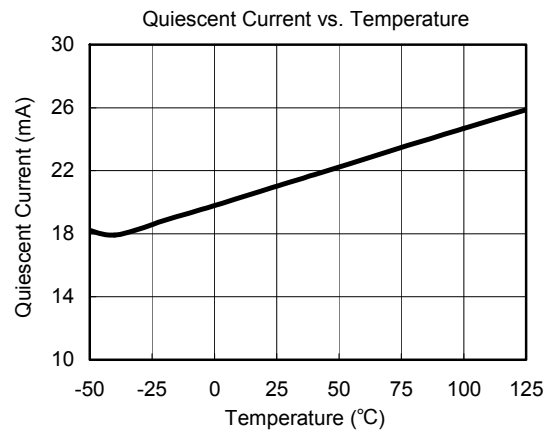
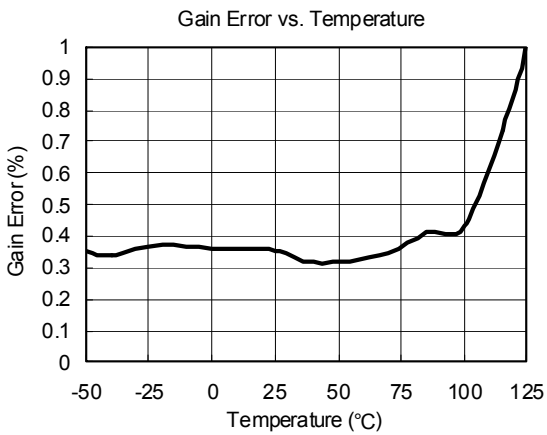
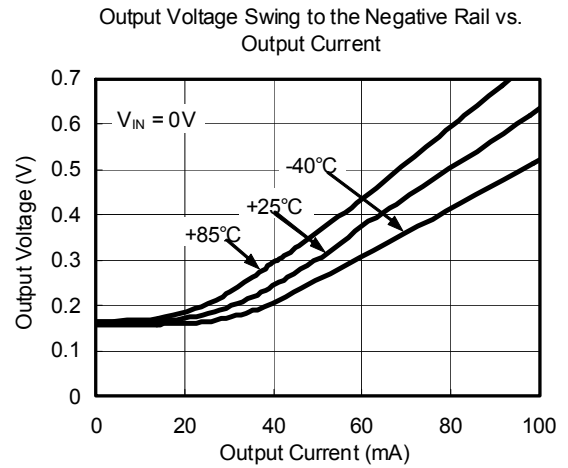
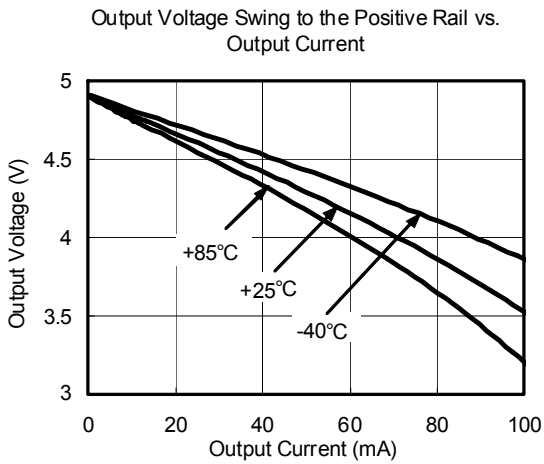
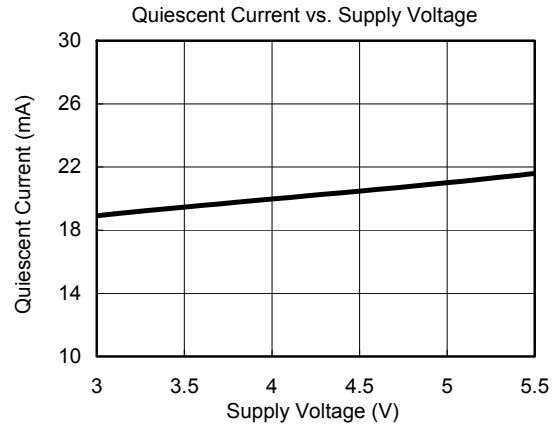
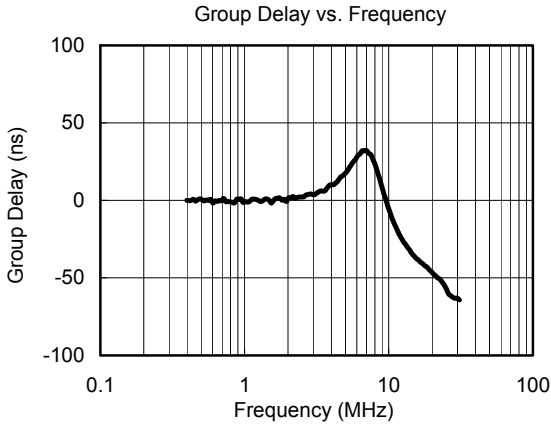
TYPICAL PERFORMANCE CHARACTERISTICS

At $V_S = +5.0V$, $T_A = +25^\circ C$, $R_L = 150\Omega$, all outputs AC-coupled with $220\mu F$, unless otherwise noted.



TYPICAL PERFORMANCE CHARACTERISTICS

At $V_S = +5.0V$, $T_A = +25^\circ C$, $R_L = 150\Omega$, all outputs AC-coupled with $220\mu F$, unless otherwise noted.



APPLICATION INFORMATION

Functional Description

SGM9115 operates from a single 3.3V to 5V supply. In application, SGM9115 is a fully integrated solution for filtering and buffering SDTV signals in front of video decoder or behind video encoder. For example, SGM9115 can replace three passive LC filters and three amplifier drivers at CVBS and S-video output side in set-top box and DVD player. This solution can help reduce PCB size and production cost, and it also improves video signal performance comparing with traditional design using discrete components. SGM9115 features a DC-coupled input buffer, a 3-pole low-pass filter to eliminate out-of-band noise of video encoder, and a gain of 6dB in the output amplifier to drive 75Ω load. The AC- or DC-coupled input buffer eliminates sync crush, droop, and field tilt. The output of SGM9115 also can be DC-coupled or AC-coupled.

Input Considerations

Besides AC coupling, the SGM9115 inputs also can be DC-coupled. In DC coupling application, no input coupling capacitors are needed because the amplitude of input video signal from DAC includes ground and extends up to 1.4V, and SGM9115 can be directly connected to the output of a single-supply, current-output DAC without any external bias network. In applications where DAC's output level exceeds the range from 0V to 1.4V, or SGM9115 is driven by an unknown external source or a SCART switch which has its own clamping circuit, AC coupling is needed.

Output Considerations

The SGM9115 outputs can be DC-coupled or AC-coupled. When input is 0V, the SGM9115 output voltage is 260mV typically. In DC coupling design, one 75Ω resistor is used to connect SGM9115's output pin with external load directly, and this serial back-termination resistor is used to match the impedance of the transmission line between SGM9115 and external load to cancel the signal reflection. The SGM9115 outputs can sink and source current allowing the device to be AC-coupled with external load. In AC coupling, at least 220μF capacitor will be used in order to eliminate field tilt.

Power-Supply Bypassing and Layout

Correct power supply bypassing is very important for optimizing video performance in design. One 0.1μF and one 10μF capacitors are always used to bypass +V_S pin of SGM9115. Place these two capacitors as close to the SGM9115 supply pin as possible. A large ground plane is also needed to ensure optimum performance. The input and output termination resistors should be placed as close to the related pins of SGM9115 as possible to avoid performance degradation. The PCB traces at the output side should have 75Ω characteristic impedance in order to match the 75Ω characteristic impedance of the cable connecting external load. In design, keep the board trace at the inputs and outputs of the SGM9115 as short as possible to minimize the parasitic stray capacitance and noise pickup.

APPLICATION INFORMATION

Typical Application Diagram

The following schematic in Figure 3 is normally used for AC-coupled output and DC-coupled input with DAC which has an output voltage range from 0V to 1.4V. AC-coupled output offers slightly lower power dissipation and high ESD protection ability.

The schematics in Figure 1 and Figure 2 are also popular in design. Figure 4 is a kind of special application in STB.

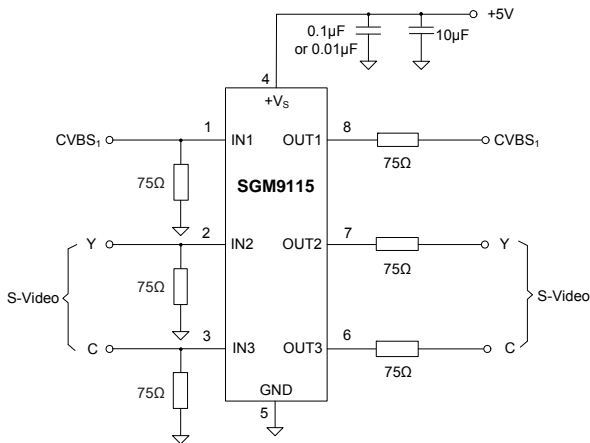


Figure 1. DC Coupling Application Schematic

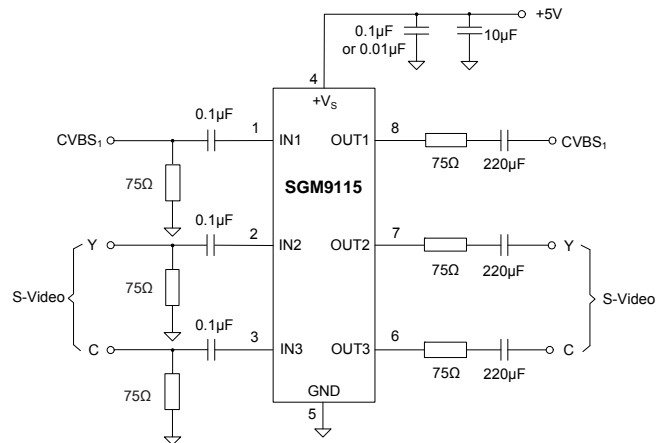


Figure 2. AC Coupling Application Schematic

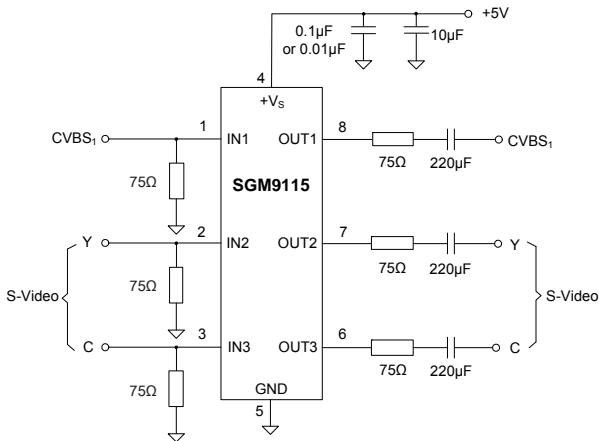


Figure 3. Input DC Coupling and Output AC Coupling Application Schematic

APPLICATION INFORMATION

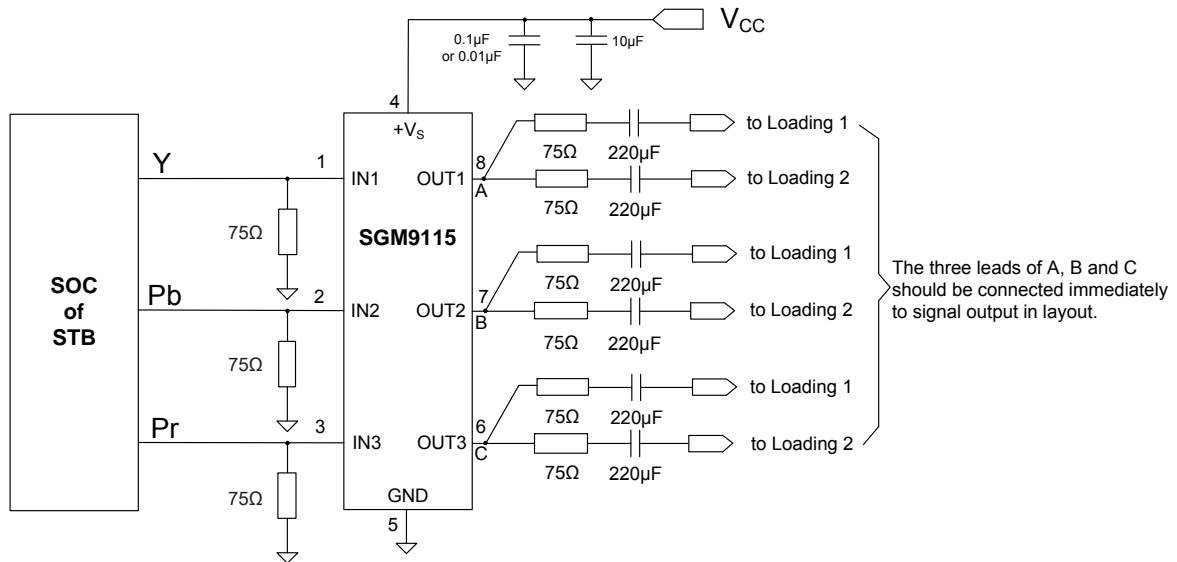


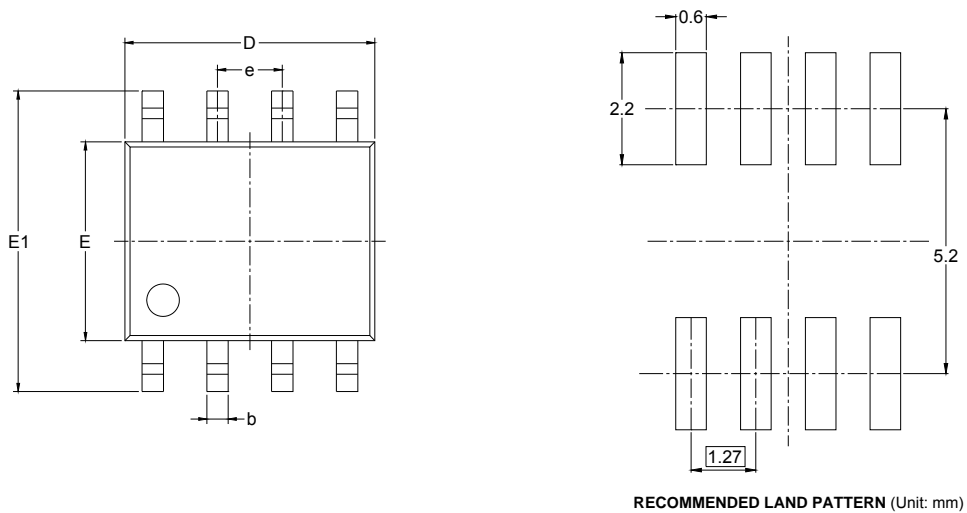
Figure 4. Input DC Coupling and Output AC Coupling Application Schematic in STB

NOTE:

1. Power supply V_{CC} must be sequenced on first before input video signals.

PACKAGE OUTLINE DIMENSIONS

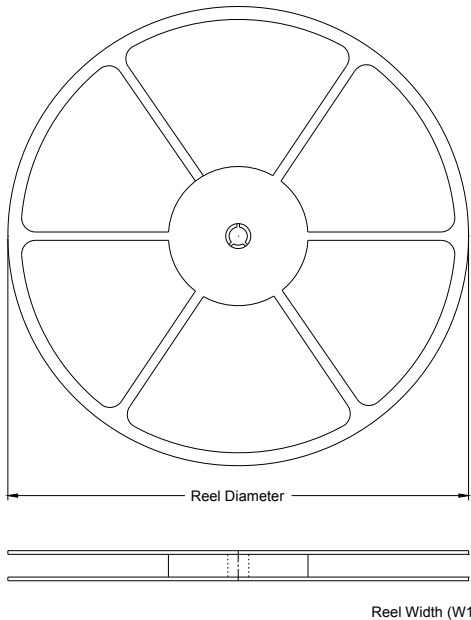
SOIC-8



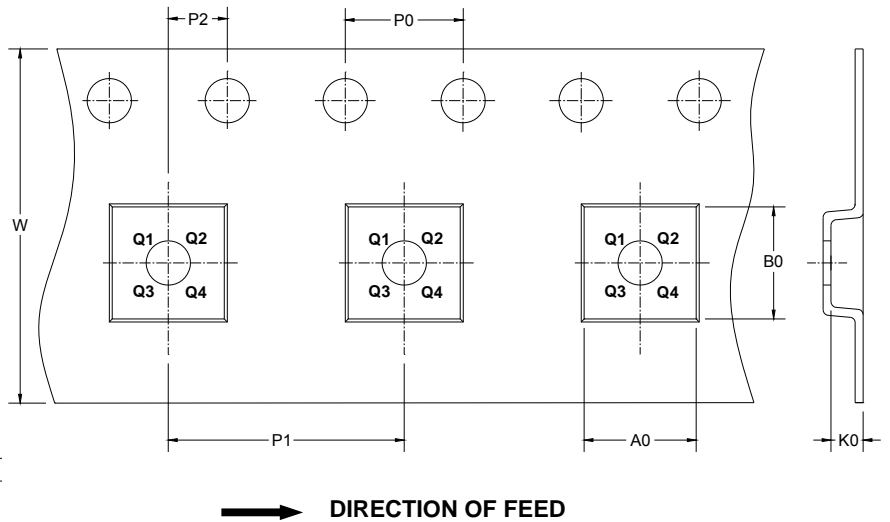
Symbol	Dimensions In Millimeters		Dimensions In Inches	
	MIN	MAX	MIN	MAX
A	1.350	1.750	0.053	0.069
A1	0.100	0.250	0.004	0.010
A2	1.350	1.550	0.053	0.061
b	0.330	0.510	0.013	0.020
c	0.170	0.250	0.006	0.010
D	4.700	5.100	0.185	0.200
E	3.800	4.000	0.150	0.157
E1	5.800	6.200	0.228	0.244
e	1.27 BSC		0.050 BSC	
L	0.400	1.270	0.016	0.050
θ	0°	8°	0°	8°

TAPE AND REEL INFORMATION

REEL DIMENSIONS



TAPE DIMENSIONS

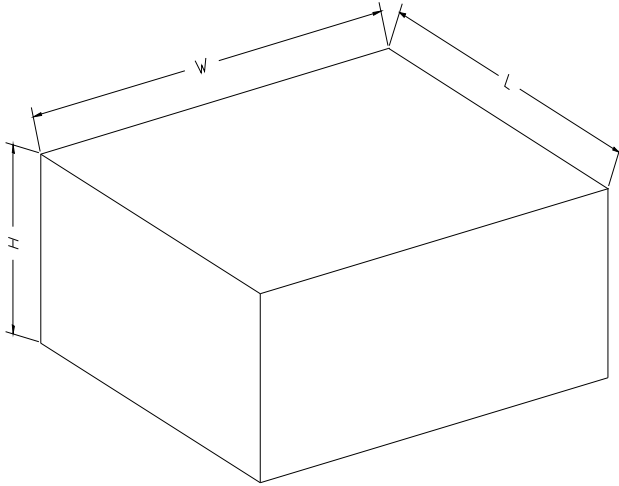


NOTE: The picture is only for reference. Please make the object as the standard.

KEY PARAMETER LIST OF TAPE AND REEL

Package Type	Reel Diameter	Reel Width W1 (mm)	A0 (mm)	B0 (mm)	K0 (mm)	P0 (mm)	P1 (mm)	P2 (mm)	W (mm)	Pin1 Quadrant
SOIC-8	13"	12.4	6.4	5.4	2.1	4.0	8.0	2.0	12.0	Q1

CARTON BOX DIMENSIONS



NOTE: The picture is only for reference. Please make the object as the standard.

KEY PARAMETER LIST OF CARTON BOX

Reel Type	Length (mm)	Width (mm)	Height (mm)	Pizza/Carton
13"	386	280	370	5