

## 阅读申明

- 1.本站收集的数据手册和产品资料都来自互联网，版权归原作者所有。如读者和版权方有任何异议请及时告之，我们将妥善解决。
- 2.本站提供的中文数据手册是英文数据手册的中文翻译，其目的是协助用户阅读，该译文无法自动跟随原稿更新，同时也可能存在翻译上的不当。建议读者以英文原稿为参考以便获得更精准的信息。
- 3.本站提供的产品资料，来自厂商的技术支持或者使用者的心得体会等，其内容可能存在描述上的差异，建议读者做出适当判断。
- 4.如需与我们联系，请发邮件到marketing@iczoom.com，主题请标有“数据手册”字样。

## Read Statement

1. The datasheets and other product information on the site are all from network reference or other public materials, and the copyright belongs to the original author and original published source. If readers and copyright owners have any objections, please contact us and we will deal with it in a timely manner.
2. The Chinese datasheets provided on the website is a Chinese translation of the English datasheets. Its purpose is for reader's learning exchange only and do not involve commercial purposes. The translation cannot be automatically updated with the original manuscript, and there may also be improper translations. Readers are advised to use the English manuscript as a reference for more accurate information.
3. All product information provided on the website refer to solutions from manufacturers' technical support or users the contents may have differences in description, and readers are advised to take the original article as the standard.
4. If you have any questions, please contact us at marketing@iczoom.com and mark the subject with "Datasheets" .

## PSR Constant Current Power Switch for LED Lighting

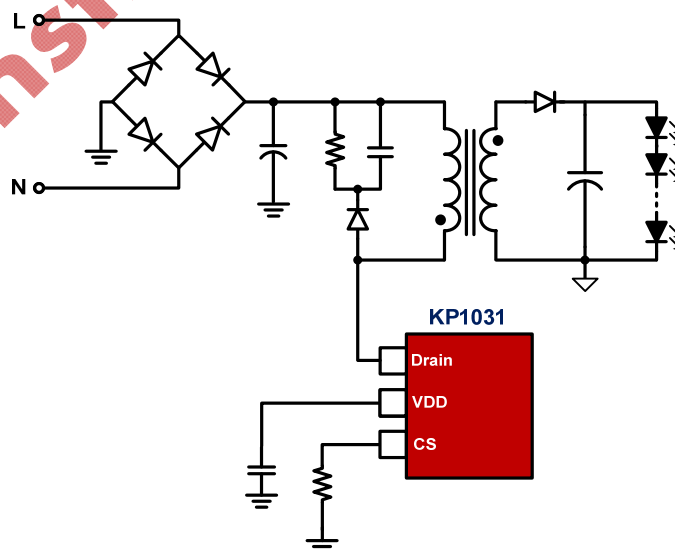
### FEATURES

- Integrated with 650V MOSFET
- No Auxiliary Winding Needed
- $\pm 4\%$  CC Regulation
- Very Low VDD Operation Current
- Built-in Thermal Fold-back
- Built-in Charging Circuit for Fast Start-Up
- Built-in AC Line CC Compensation
- Build in Protections:
  - LED Open/Short Protection
  - On-Chip Thermal Fold-back (OTP)
  - Cycle-by-Cycle Current Limiting
  - Leading Edge Blanking (LEB)
  - Pin Floating Protection
  - VDD UVLO
- Available with SOT89-3L and TO-92 Package

### APPLICATIONS

- LED Lighting

### TYPICAL APPLICATION CIRCUIT



### GENERAL DESCRIPTION

KP1031 is a highly integrated power switch with Primary Side Regulation (PSR) constant current (CC) control for LED lighting applications.

KP1031 combines a 650V power MOSFET switch with a power controller in one chip. The IC also integrates high voltage startup/IC supply circuit and a novel transformer demagnetization circuit, which eliminates transformer auxiliary winding. In CC mode, the IC uses PFM control with line CC compensation.

KP1031 integrates functions and protections of Under Voltage Lockout (UVLO), Cycle-by-cycle Current Limiting (OCP), Thermal Fold-back (OTP), LED Open/Short Protection, etc.