

阅读申明

- 1.本站收集的数据手册和产品资料都来自互联网，版权归原作者所有。如读者和版权方有任何异议请及时告之，我们将妥善解决。
- 2.本站提供的中文数据手册是英文数据手册的中文翻译，其目的是协助用户阅读，该译文无法自动跟随原稿更新，同时也可能存在翻译上的不当。建议读者以英文原稿为参考以便获得更精准的信息。
- 3.本站提供的产品资料，来自厂商的技术支持或者使用者的心得体会等，其内容可能存在描述上的差异，建议读者做出适当判断。
- 4.如需与我们联系，请发邮件到marketing@iczoom.com，主题请标有“数据手册”字样。

Read Statement

1. The datasheets and other product information on the site are all from network reference or other public materials, and the copyright belongs to the original author and original published source. If readers and copyright owners have any objections, please contact us and we will deal with it in a timely manner.
2. The Chinese datasheets provided on the website is a Chinese translation of the English datasheets. Its purpose is for reader's learning exchange only and do not involve commercial purposes. The translation cannot be automatically updated with the original manuscript, and there may also be improper translations. Readers are advised to use the English manuscript as a reference for more accurate information.
3. All product information provided on the website refer to solutions from manufacturers' technical support or users the contents may have differences in description, and readers are advised to take the original article as the standard.
4. If you have any questions, please contact us at marketing@iczoom.com and mark the subject with "Datasheets" .

2.3A, Wide-Input Sensorless CC/CV Step-Down **DC/DC Converter**

❖ GENERAL DESCRIPTION

AX3050/A is a wide input voltage, high efficiency Active CC step-down DC/DC converter that operates in either CV (Constant Output Voltage) mode or CC (Constant Output Current) mode.

AX3050/A consists of step-down switching regulator with PWM control. The device includes a reference voltage source, oscillation circuit, error amplifier and etc.

AX3050/A provides low-ripple power, high efficiency, and excellent transient characteristics. The PWM control circuit is able to the duty ratio linearly forms 0 up to 90%. An over current protection function is built outside that it can set by a resistance. An external compensation is easily to system stable; the low ESR output capacitor can be used.

With the addition of an internal N-channel Power MOS, a coil, capacitors, and a diode connected externally, these ICs can function as step-down switching regulators. They serve as ideal power supply units for portable devices when coupled with the SOP-8L-EP packages, providing such outstanding features as low current consumption. Since this converter can accommodate an input voltage up to 34.

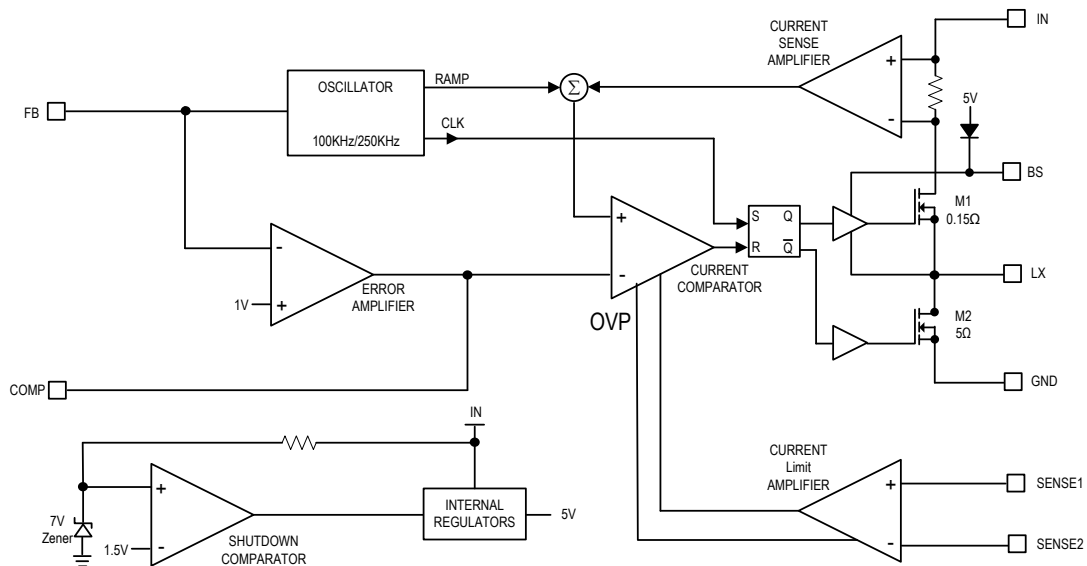
❖ **FEATURES**

- Input Voltage : 8V to 34V
- Vout Accuracy ($V_{FB}=1V$) $\pm 2\%$
- CC/CV mode(Constant Current and Constant Voltage)
- Up to 2.3A output current
- $\pm 5\%/\pm 15\%$ Current limit Accuracy
- Duty ratio : 0% to 90% PWM control
- Oscillation frequency :
 AX3050: 100KHz
 AX3050A: 250KHz
- Thermal Shutdown function.
- Short Circuit Protect (SCP).
- Built-in internal LX N-channel MOS.
- Current mode non-synchronous PWM converter
- External current limit setting.
- Over Voltage Protection 5.8V.
- Built in adjustable line-compensation.
- SOP-8L-EP Pb-Free packages

❖ **APPLICATIONS**

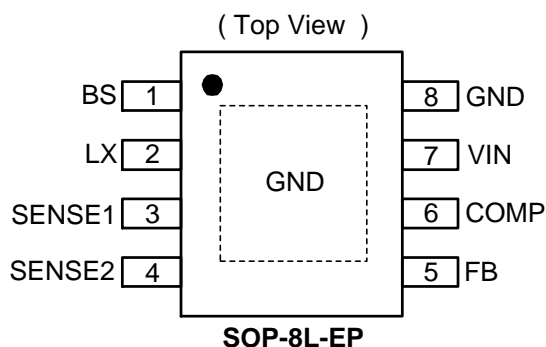
- Car charger
- Portable charger Device.

❖ **BLOCK DIAGRAM**



❖ PIN ASSIGNMENT

The package of AX3050/A is SOP-8L-EP; the pin assignment is given by:



Name	Description
BS	Bootstrap Pin. This provides power to the internal high-side MOSFET gate driver. Connect a 0.1uF capacitor from BS pin to LX pin.
LX	Power Switching Output to External Inductor.
SENSE1	Current Sense input1
SENSE2	Current Sense input2
FB	Output voltage feedback control
COMP	Error Amplifier Output. This pin is used to compensate the converter.
VIN	Power Supply Input. Bypass this pin with a 0.1uF ceramic capacitor to GND, placed as close to the IC as possible.
GND	GND pin

❖ ORDER/MARKING INFORMATION

Order Information	Top Marking
<p>AX3050 X XX X</p> <p>Blank:100KHz Package Type Packing A:250KHz ES: SOP-8L-EP Blank : Tube A : Taping</p> <p>Note: Bin 2: $\pm 5\%$, Bin 3: $\pm 15\%$ (Sense Voltage)</p>	<p>Logo ← AX 3 0 5 0 → Part number</p> <p>A Y Y W W X → ID code: internal</p> <p>AX3050A WW: 01~52 Year: 11=2011 12=2012 ⋮ 19=2019</p>

❖ ABSOLUTE MAXIMUM RATINGS (at $T_A = 25^\circ\text{C}$)

Characteristics	Symbol	Rating	Unit
IN to GND		-0.3 to 40	V
LX to GND		-1 to $V_{IN} + 1$	V
BS to GND		$V_{LX} - 0.3$ to $V_{LX} + 7$	V
FB, SENSE1, SENSE2, COMP to GND		-0.3 to + 6	V
Operating Junction Temperature		-40 to 150	$^\circ\text{C}$
Storage Junction Temperature		-65 to 150	$^\circ\text{C}$
Lead Temperature (Soldering 10 sec.)		300	$^\circ\text{C}$
Thermal Resistance from Junction to case	θ_{JC}	15	$^\circ\text{C}/\text{W}$
Thermal Resistance from Junction to ambient	θ_{JA}	75	$^\circ\text{C}/\text{W}$

Note : θ_{JA} is measured with the PCB copper are (need connect to Exposed pad) of approximately 1 in²(Multi-layer).

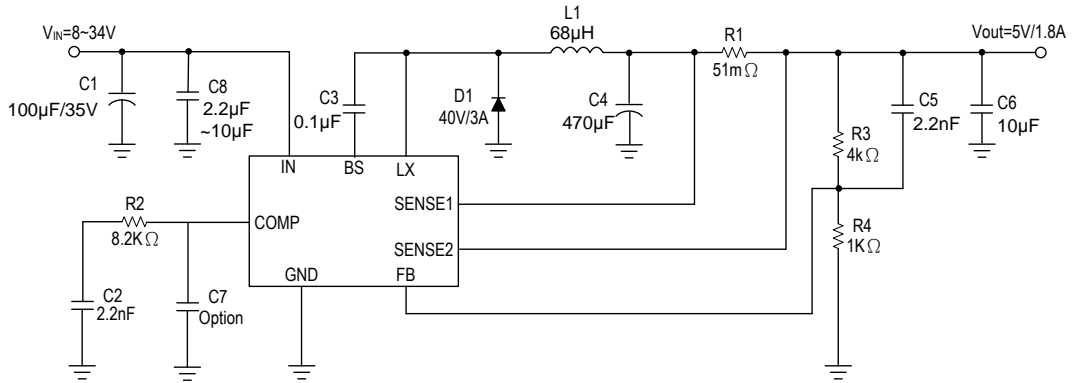
❖ ELECTRICAL CHARACTERISTICS

($V_{IN}=12\text{V}$, $T_A=25^\circ\text{C}$, unless otherwise specified)

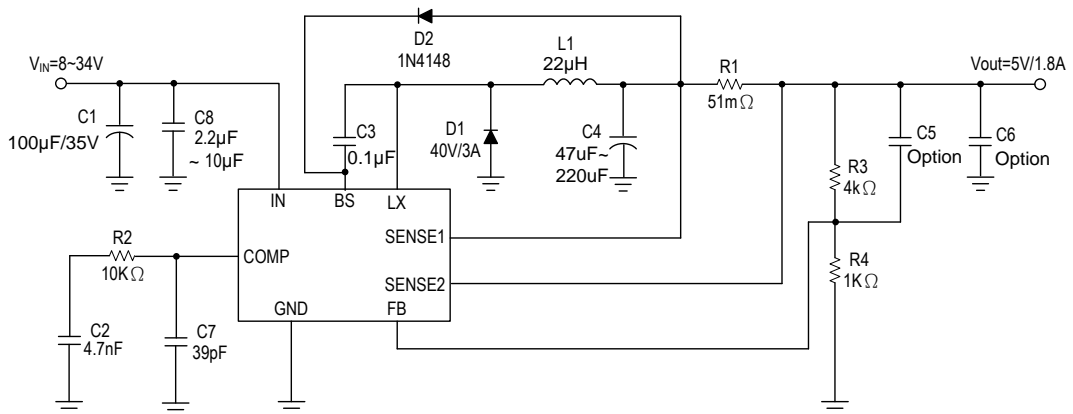
Characteristics	Symbol	Conditions	Min	Typ	Max	Units
Input Voltage			8	-	34	V
OVP detect voltage	V_{OVP}	Internal define	-	5.8	-	V
OVP Hysteresis			-	0.3	-	V
Quiescent Current	I_{CCQ}	$V_{FB} = 1.5\text{V}$, force driver off.	-	2	-	mA
Standby Supply Current		$V_0 = 5\text{V}$, No Load	-	10	15	mA
Line compensation Current	I_{FB}	$V_{SENSE1}-V_{SENSE2}=100\text{mV}$	3.5	5	6.5	μA
Feedback Voltage			0.98	1	1.02	V
High-Side Switch On Resistance	R_{DSON}	$V_{IN}=12\text{V}$, $I_{OUT} = 1\text{A}$	-	150	200	m Ω
Low-Side Switch On Resistance	R_{DSON}	$V_{IN}=12\text{V}$	-	5	-	Ω
Switching Frequency	F_{OSC}	AX3050; $I_{OUT}=200\text{mA}$	80	100	120	KHz
		AX3050A; $I_{OUT}=200\text{mA}$	200	250	300	KHz
Maximum Duty Cycle		AX3050	90	93	-	%
		AX3050A	87	90	-	%
Minimum On-Time			-	150	-	ns
Secondary Cycle-by-Cycle Current Limit		Minimum Duty Cycle, no CC	-	2.4	-	A
Reference Voltage of the Short Circuit Fold back Comparator	V_{SCP}		-	0.4	0.45	V
Sense Voltage (Bin2)	V_{SENSE}	$V_{SENSE1}-V_{SENSE2}$	95	100	105	mV
Sense Voltage (Bin3)	V_{SENSE}	$V_{SENSE1}-V_{SENSE2}$	85	100	115	mV
Thermal shutdown Temp	T_{SD}		-	140	-	$^\circ\text{C}$
Thermal Shutdown Hysteresis	T_{SH}		-	30	-	$^\circ\text{C}$

❖ APPLICATION CIRCUIT
AL CAPACITOR

(1) Frequency=100KHz



(2) Frequency=250KHz



❖ FUNCTION DESCRIPTIONS

CV/CC Loop Regulation

As seen in Functional Block Diagram, the AX3050/A is a peak current mode pulse width modulation (PWM) converter with CC and CV control. The converter operates as follows:

A switching cycle starts when the rising edge of the Oscillator clock output causes the High-Side Power Switch to turn on. With the LX side of the inductor now connected to Sense1, the inductor current ramps up to store energy in the magnetic field. The inductor current level is measured by the Current Sense Amplifier and added to the Oscillator ramp signal. If the resulting summation is higher than the COMP voltage, the output of the PWM Comparator goes high. When this happens or when Oscillator clock output goes low, the High-Side Power Switch turns off.

At this point, the LX side of the inductor swings to a diode voltage below ground, causing the inductor current to decrease and magnetic energy to be transferred to output. This state continues until the cycle starts again. The High-Side Power Switch is driven by logic using BS as the positive rail. This pin is charged to $V_{LX} + 5V$ when the Low-Side Power Switch turns on. The COMP voltage is the integration of the error between FB input and the internal 1V reference. If FB is lower than the reference voltage, COMP tends to go higher to increase current to the output. Output current will increase until it reaches the CC limit set by the R1 resistor. At this point, the device will transition from regulating output voltage to regulating output current, and the output voltage will drop with increasing load.

Current Limit Protection

The Current limit is set by outside resistance (R_{SENSE}), When the SENSE1-SENSE2 voltage larger than 100mV, the current limit is happened that driver can be turned off. The current limit set according to the following equation:

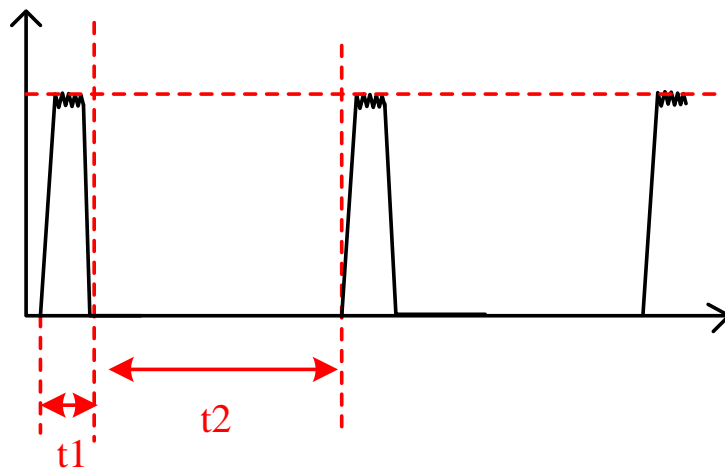
$$\text{Current Limit (A)} = \frac{100\text{mV}}{R_{SENSE}}$$

Output Over-Voltage protection

The AX3050/A provides output over-voltage protection function. When output over-voltage happens ($V_{SENS2} > 5.8V$), the AX3050/A shuts down. When output over-voltage is released ($V_{SENS2} < 5.7V$), the AX3050/A recovers to normal state automatically.

Output Short-Circuit protection

The AX3050/A provides output short-circuit protection function. When V_{OUT} is short ($V_{FB} < 0.4V$), the auto restart function can be started that restart the regulator cycle by cycle. The cycle time is set by internal counter.



$t1 = 3m(Sec.)$
 $t2 = 90m(Sec.)$

Thermal Shutdown

The AX3050/A disables switching when its junction temperature exceeds $140^{\circ}C$ and resumes when the temperature has dropped by $30^{\circ}C$.

❖ APPLICATION INFORMATION

Output Voltage Setting

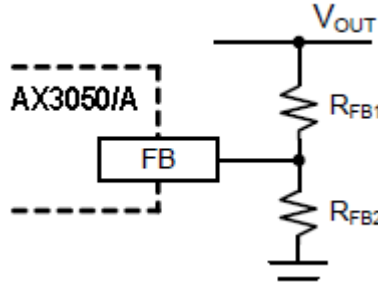


Figure1 Output Voltage Setting

Figure 1 shows the connections for setting the output voltage. Select the proper ratio of the two feedback resistors RFB1 and RFB2 based on the output voltage. Typically, use $R_{FB2} \approx 10k\Omega$ and determine RFB1 from the following equation:

$$R_{FB1} = R_{FB2} \left(\frac{V_{OUT}}{1V} - 1 \right)$$

Inductor Selection

The inductor maintains a continuous current to the output load. This inductor current has a ripple that is dependent on the inductance value:

Higher inductance reduces the peak-to-peak ripple current. The trade off for high inductance value is the increase in inductor core size and series resistance, and the reduction in current handling capability. In general, select an inductance value L based on ripple current requirement:

$$L = \frac{V_{OUT} \times (V_{IN} - V_{OUT})}{V_{IN} f_{LX} I_{OUTMAX} K_{RIPPLE}}$$

where V_{IN} is the input voltage, V_{OUT} is the output voltage, f_{LX} is the switching frequency, I_{OUTMAX} is the maximum output current, and K_{RIPPLE} is the ripple factor. Typically, choose $K_{RIPPLE} = 30\%$ to correspond to the peak-to-peak ripple current being 30% of the maximum output current.

With this inductor value, the peak inductor current is $I_{OUT} \times (1 + K_{RIPPLE}/2)$. Make sure that this peak inductor current is less than the controller's current limit. Finally, select the inductor core size so that it does not saturate at the peak inductor current.

Input Capacitor

The input capacitor needs to be carefully selected to maintain sufficiently low ripple at the supply input of the converter. A low ESR capacitor is highly recommended. Since large current flows in and out of this capacitor during switching, its ESR also affects efficiency.

The input capacitance needs to be higher than 100μF. The best choice is the ceramic type, however, low ESR tantalum or electrolytic types may also be used provided that the RMS ripple current rating is higher than 50% of the output current. The input capacitor should be placed close to the IN and G pins of the IC, with the shortest traces possible. In the case of tantalum or electrolytic types, they can be further away if a small parallel 0.1μF ceramic capacitor is placed right next to the IC. Especially C8 capacitor should be placed as close as possible to the IC pin.

Output Capacitor

The output capacitor also needs to have low ESR to keep low output voltage ripple. The output ripple voltage is:

$$V_{\text{RIPPLE}} = I_{\text{OUTMAX}} K_{\text{RIPPLE}} R_{\text{ESR}} + \frac{V_{\text{IN}}}{28 \times f_{\text{LX}}^2 L C_{\text{OUT}}}$$

where I_{OUTMAX} is the maximum output current, K_{RIPPLE} is the ripple factor, R_{ESR} is the ESR of the output capacitor, f_{LX} is the switching frequency, L is the inductor value, and C_{OUT} is the output capacitance. In the case of ceramic output capacitors, R_{ESR} is very small and does not contribute to the ripple. Therefore, a lower capacitance value can be used for ceramic type. In the case of tantalum or electrolytic capacitors, the ripple is dominated by R_{ESR} multiplied by the ripple current. In that case, the output capacitor is chosen to have sufficiently low ESR.

For ceramic output capacitor, typically choose a capacitance of about 470μF. For tantalum or electrolytic capacitors, choose a capacitor with less than 50mΩ ESR.

Rectifier Diode

Use a Schottky diode as the rectifier to conduct current when the High-Side Power Switch is off.

The Schottky diode must have current rating higher than the maximum output current and a reverse voltage rating higher than the maximum input voltage.

Output Cable Resistance Compensation

To compensate for resistive voltage drop across the charger's output cable, the AX3050/A integrates a simple, user-programmable cable voltage drop compensation using the impedance at the FB pin. Use the curve in Figure 2 to choose the proper feedback resistance values for cable compensation. R_{FB1} is the high side resistor of voltage divider.

$$V_{OUT} = \left[\left(1 + \frac{R_{FB1}}{R_{FB2}} \right) \times V_{FB} \right] + R_{FB1} \times I_{FB}$$

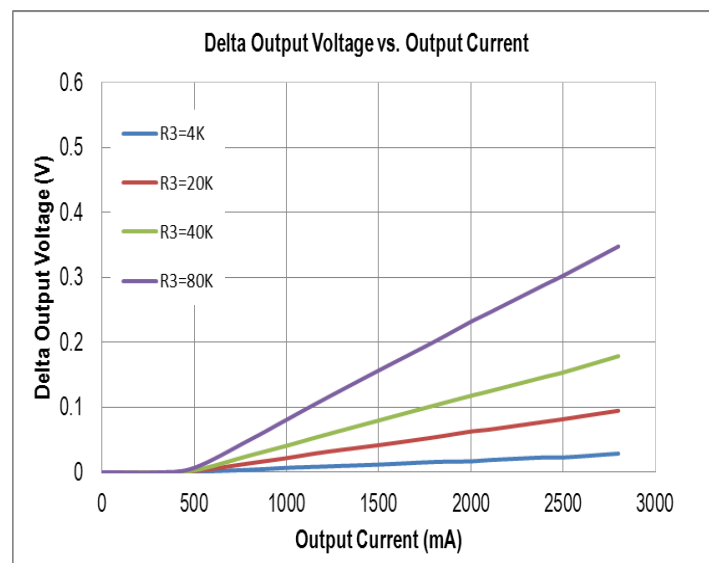
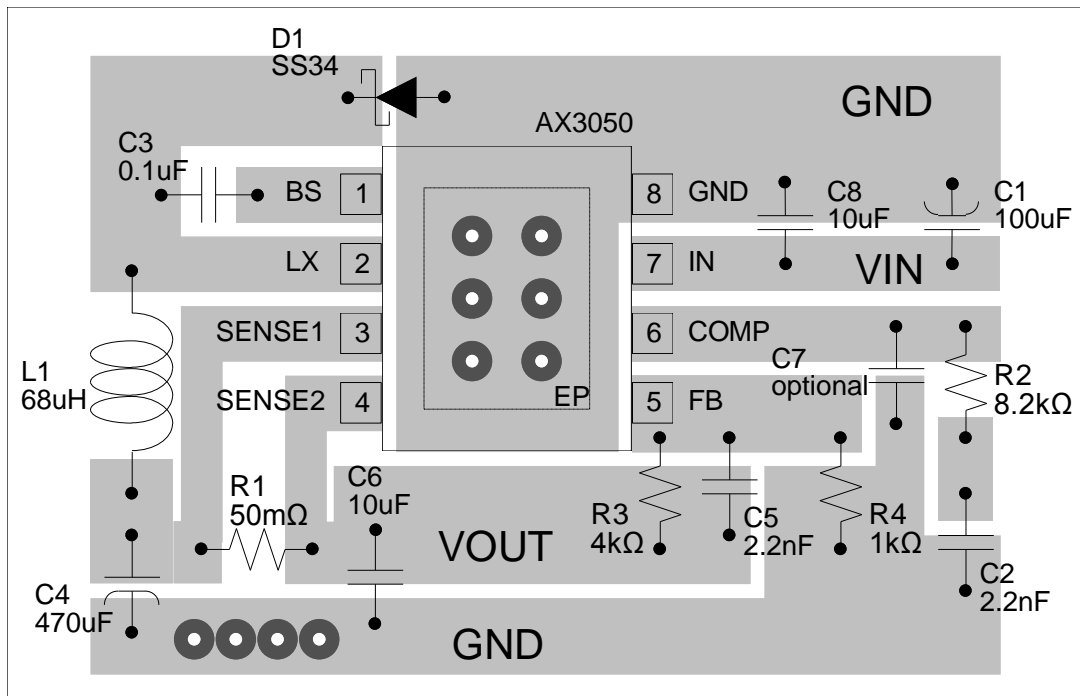


Figure2 Cable Compensation at Various Resistor Divider Values

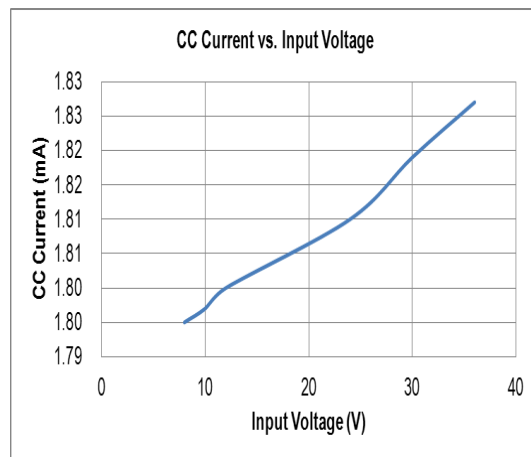
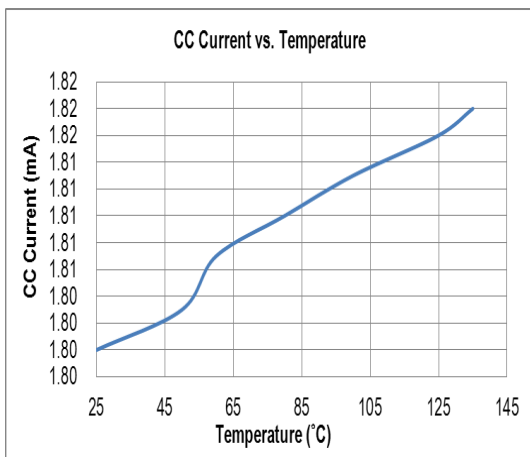
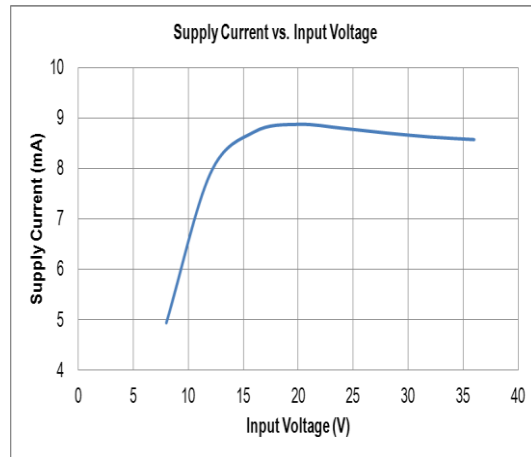
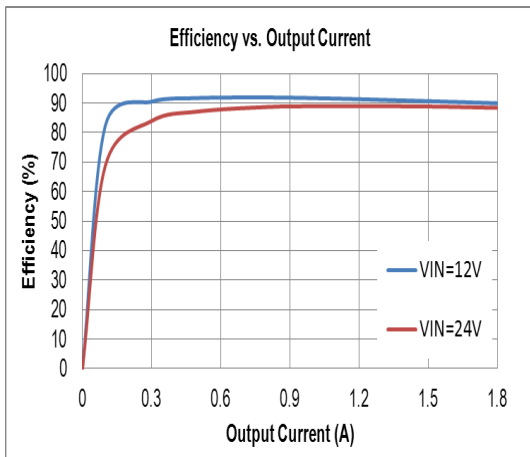
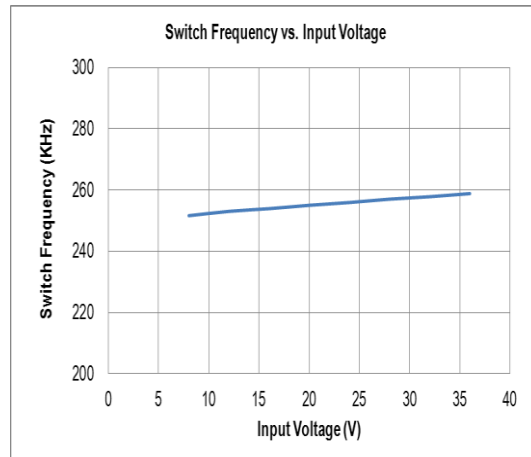
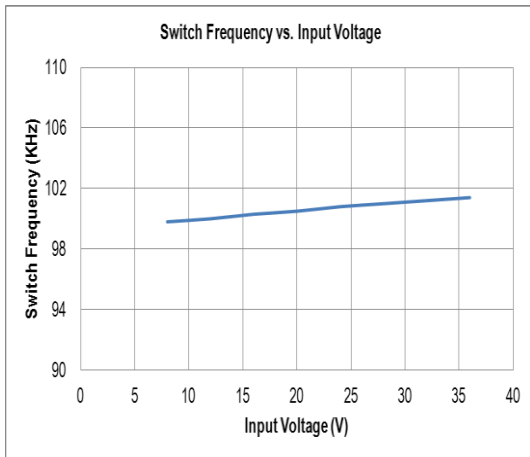
Layout Guide



Recommended layout guidelines are as follows:

1. Connect the 10μF VIN bypass capacitor next to the IN pin with a short return to the GND pin.
2. Keep the BS to LX bypass capacitor near both pins as it provides the internal high-side FET gate driver.
3. Keep the LX traces as short as is practically possible as these carry high peak currents to decrease the EMI issue.
4. Carefully connect the noise sensitive signals such as FB, COMP, SENSE1 and SENSE2 as close to the IC as practically possible.
5. SENSE1 and SENSE2 should be connected to R1 resistor directly to provide accurate current sensing.
6. The Exposed Pad (EP) should be connected to any internal PCB ground planes using multiple vias directly under the IC for best thermal performance.

❖ **TYPICAL CHARACTERISTICS**



❖ **TYPICAL CHARACTERISTICS (CONTINUOUS)**

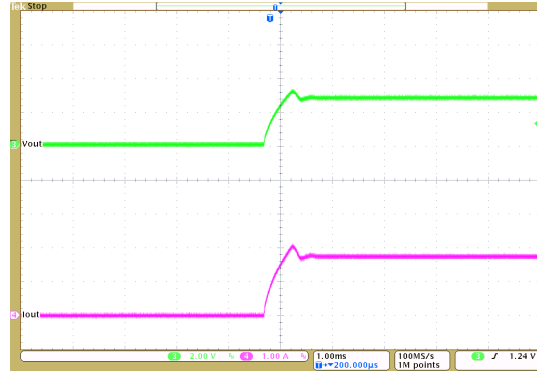
Start up into CC mode

$V_{IN}=12V, V_{OUT}=5V, I_{OUT}=1.8A$



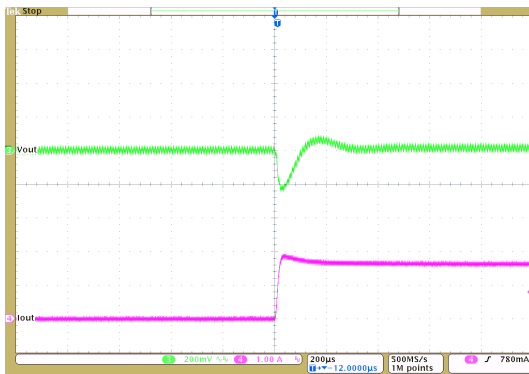
Start up into CC mode

$V_{IN}=24V, V_{OUT}=5V, I_{OUT}=1.8A$



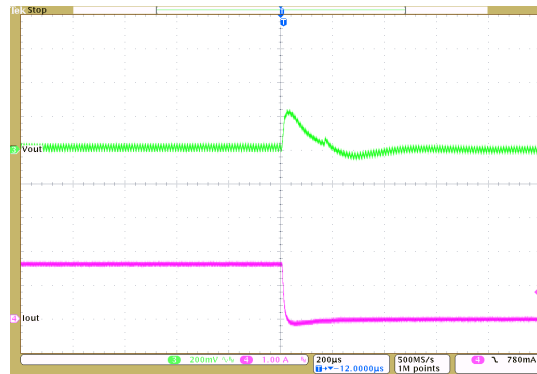
Transient Response (Rising Time)

$V_{IN}=12V, V_{OUT}=5V, I_{OUT}=0.01A\sim 1.8A$



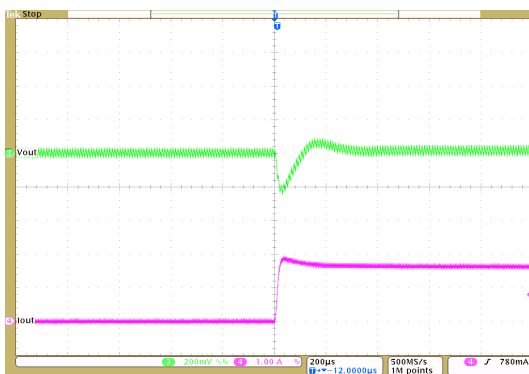
Transient Response (Falling Time)

$V_{IN}=12V, V_{OUT}=5V, I_{OUT}=0.01A\sim 1.8A$



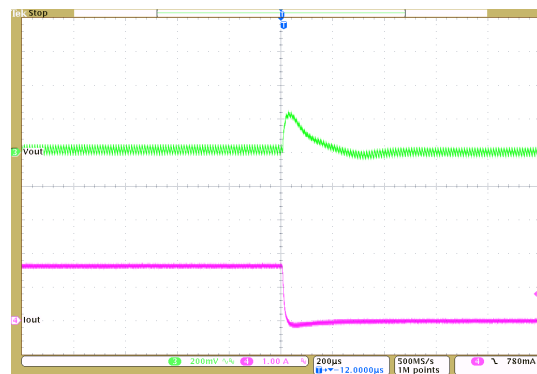
Transient Response (Rising Time)

$V_{IN}=24V, V_{OUT}=5V, I_{OUT}=0.01A\sim 1.8A$



Transient Response (Falling Time)

$V_{IN}=24V, V_{OUT}=5V, I_{OUT}=0.01A\sim 1.8A$

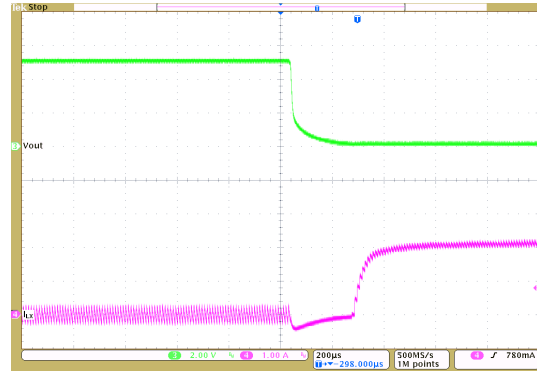


❖ **TYPICAL CHARACTERISTICS (CONTINUOUS)**

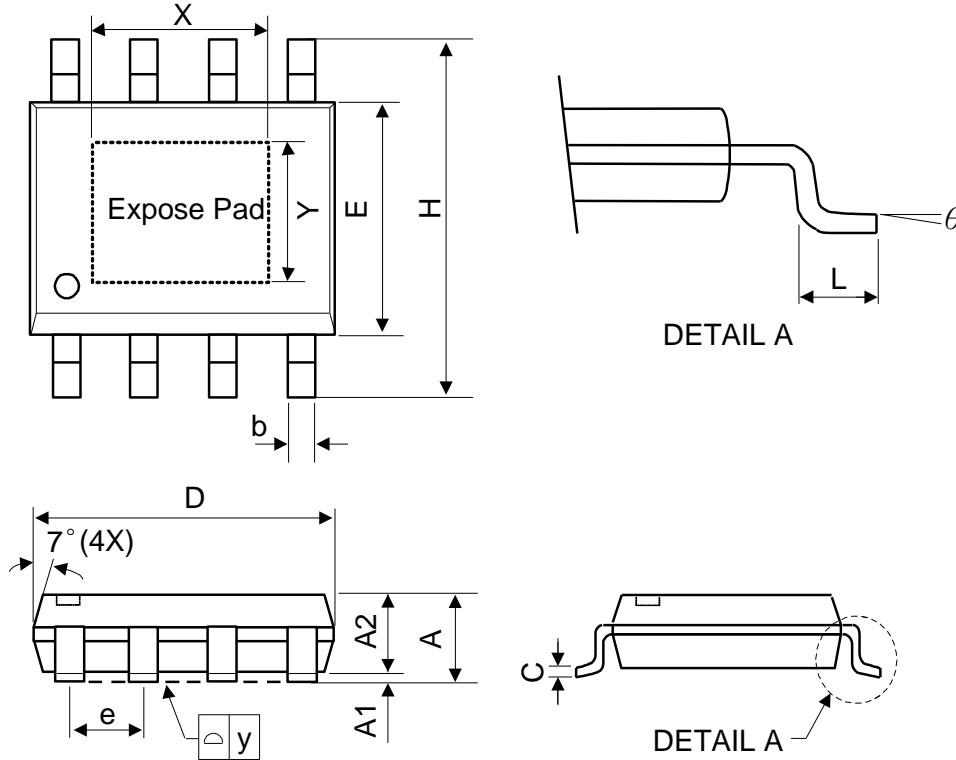
Short Circuit
 $V_{IN}=12V, V_{OUT}=5V$



Short Circuit
 $V_{IN}=24V, V_{OUT}=5V$



❖ PACKAGE OUTLINES



Symbol	Dimensions in Millimeters			Dimensions in Inches		
	Min.	Nom.	Max.	Min.	Nom.	Max.
A	-	-	1.75	-	-	0.069
A1	0	-	0.15	0	-	0.06
A2	1.25	-	-	0.049	-	-
C	0.1	0.2	0.25	0.0075	0.008	0.01
D	4.7	4.9	5.1	0.185	0.193	0.2
E	3.7	3.9	4.1	0.146	0.154	0.161
H	5.8	6	6.2	0.228	0.236	0.244
L	0.4	-	1.27	0.015	-	0.05
b	0.31	0.41	0.51	0.012	0.016	0.02
e	1.27 BSC			0.050 BSC		
y	-	-	0.1	-	-	0.004
X	-	2.34	-	-	0.092	-
Y	-	2.34	-	-	0.092	-
θ	0°	-	8°	0°	-	8°

Mold flash shall not exceed 0.25mm per side
JEDEC outline: MS-012 BA