

## 阅读申明

- 1.本站收集的数据手册和产品资料都来自互联网，版权归原作者所有。如读者和版权方有任何异议请及时告之，我们将妥善解决。
- 2.本站提供的中文数据手册是英文数据手册的中文翻译，其目的是协助用户阅读，该译文无法自动跟随原稿更新，同时也可能存在翻译上的不当。建议读者以英文原稿为参考以便获得更精准的信息。
- 3.本站提供的产品资料，来自厂商的技术支持或者使用者的心得体会等，其内容可能存在描述上的差异，建议读者做出适当判断。
- 4.如需与我们联系，请发邮件到marketing@iczoom.com，主题请标有“数据手册”字样。

## Read Statement

1. The datasheets and other product information on the site are all from network reference or other public materials, and the copyright belongs to the original author and original published source. If readers and copyright owners have any objections, please contact us and we will deal with it in a timely manner.
2. The Chinese datasheets provided on the website is a Chinese translation of the English datasheets. Its purpose is for reader's learning exchange only and do not involve commercial purposes. The translation cannot be automatically updated with the original manuscript, and there may also be improper translations. Readers are advised to use the English manuscript as a reference for more accurate information.
3. All product information provided on the website refer to solutions from manufacturers' technical support or users the contents may have differences in description, and readers are advised to take the original article as the standard.
4. If you have any questions, please contact us at marketing@iczoom.com and mark the subject with "Datasheets" .

## 3-Pin Microprocessor Reset Circuits

### ❖ GENERAL DESCRIPTION

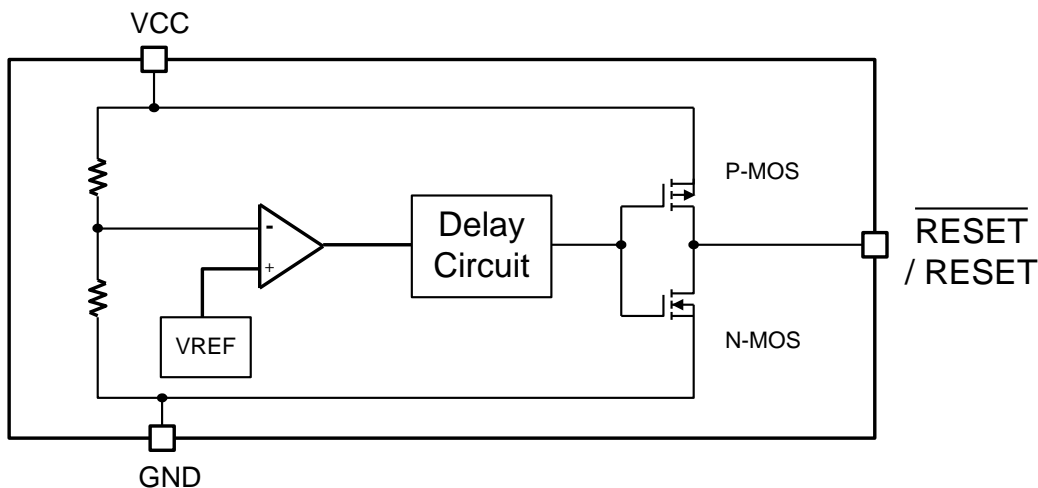
The AX6901/2/3/4 is used for microprocessor ( $\mu$ P) supervisory circuits to monitor the power supplies in  $\mu$ P and digital systems. They provide excellent circuit reliability and low cost by eliminating external components and adjustments when used with +5V, +3.3V, +3.0V, +2.5V powered circuits.

These circuits perform a single function: they assert a reset signal whenever the VCC supply voltage declines below a preset threshold, keeping it asserted for at least 200ms after VCC has risen above the reset threshold. Reset thresholds suitable for operation with a variety of supply voltages are available. The AX6901/2/3/4 has push pull outputs. The AX6901/3 has an active low  $\overline{\text{RESET}}$  output, while the AX6902/4 has an active high RESET output. The reset comparator is designed to ignore fast transients on VCC, and the outputs are guaranteed to be in the correct logic state for VCC down to 1.0V. Low supply current makes the AX6901/2/3/4 ideal for use in portable equipment. The AX6901/2/3/4 is available in a 3-pin SOT23 package.

### ❖ FEATURES

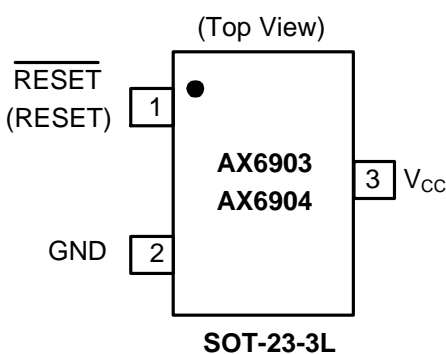
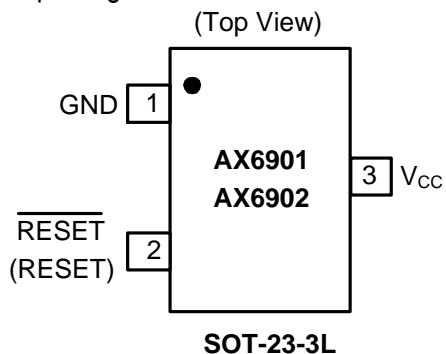
- Precision Monitoring of +2.5,+3V, +3.3V, and +5V Power-Supply Voltages
- Fully Specified Over Temperature
- Available in Three Output Configurations
- Push-Pull  $\overline{\text{RESET}}$  Low Output(AX6901/3)
- Push-Pull RESET High Output(AX6902/4)
- 200ms (Typ.)min Power-On Reset Pulse Width
- 25 $\mu$ A Supply Current
- Guaranteed Reset Valid to  $V_{CC} = +1.0V$
- Power Supply Transient Immunity
- No External Components
- Available in the 3-Pin Pb-Free SOT-23 Package

### ❖ BLOCK DIAGRAM



❖ PIN ASSIGNMENT

The package of AX6901/2/3/4 is SOT-23-3L; the pin assignment is given by:



Name	Description
GND	Ground
RESET (RESET)	Reset output pin L: for AX6901/3 H: for AX6902/4
V <sub>CC</sub>	Operating voltage input

❖ ORDER/MARKING INFORMATION

Order Information	Top Marking (SOT-23-3L)																																												
<p>AX690 X X X X</p> <table border="0"> <tr> <td>Enable</td> <td>Voltage</td> <td>Package</td> <td>Packing</td> </tr> <tr> <td>1: Active-Low</td> <td>A: 4.63</td> <td>R: SOT23-3L</td> <td>Blank: Bag</td> </tr> <tr> <td>2: Active-High</td> <td>B: 4.38</td> <td></td> <td>A: Taping</td> </tr> <tr> <td>3: Active-Low</td> <td>C: 4.00</td> <td></td> <td></td> </tr> <tr> <td>4: Active-High</td> <td>D: 3.08</td> <td></td> <td></td> </tr> <tr> <td></td> <td>E: 2.93</td> <td></td> <td></td> </tr> <tr> <td></td> <td>F: 2.63</td> <td></td> <td></td> </tr> <tr> <td></td> <td>G: 2.25</td> <td></td> <td></td> </tr> <tr> <td></td> <td>H: 2.70</td> <td></td> <td></td> </tr> <tr> <td></td> <td>I: 4.25</td> <td></td> <td></td> </tr> <tr> <td></td> <td>J: 2.80</td> <td></td> <td></td> </tr> </table>	Enable	Voltage	Package	Packing	1: Active-Low	A: 4.63	R: SOT23-3L	Blank: Bag	2: Active-High	B: 4.38		A: Taping	3: Active-Low	C: 4.00			4: Active-High	D: 3.08				E: 2.93				F: 2.63				G: 2.25				H: 2.70				I: 4.25				J: 2.80			<p>LLYWX → ID Code: internal</p> <p>WW : 01~26(A~Z) 27~52(a~z)</p> <p>Year : A = 2010 1 = 2011</p> <p>Identification code</p>
Enable	Voltage	Package	Packing																																										
1: Active-Low	A: 4.63	R: SOT23-3L	Blank: Bag																																										
2: Active-High	B: 4.38		A: Taping																																										
3: Active-Low	C: 4.00																																												
4: Active-High	D: 3.08																																												
	E: 2.93																																												
	F: 2.63																																												
	G: 2.25																																												
	H: 2.70																																												
	I: 4.25																																												
	J: 2.80																																												

**Appendix**

Part Number	Package	Identification Code	Part Number	Package	Identification Code
AX6901A	SOT-23-3L	CA	AX6903A	SOT-23-3L	CO
AX6901B	SOT-23-3L	CB	AX6903B	SOT-23-3L	CP
AX6901C	SOT-23-3L	CC	AX6903C	SOT-23-3L	CQ
AX6901D	SOT-23-3L	CD	AX6903D	SOT-23-3L	CR
AX6901E	SOT-23-3L	CE	AX6903E	SOT-23-3L	CS
AX6901F	SOT-23-3L	CF	AX6903F	SOT-23-3L	CT
AX6901G	SOT-23-3L	CG	AX6903G	SOT-23-3L	CU
AX6901H	SOT-23-3L	Ca	AX6903H	SOT-23-3L	Cf
AX6901I	SOT-23-3L	Cb	AX6903I	SOT-23-3L	Cg
AX6901J	SOT-23-3L	Ci	AX6903J	SOT-23-3L	Cj
AX6902A	SOT-23-3L	CH	AX6904A	SOT-23-3L	C1
AX6902B	SOT-23-3L	CI	AX6904B	SOT-23-3L	C2
AX6902C	SOT-23-3L	CJ	AX6904C	SOT-23-3L	C3
AX6902D	SOT-23-3L	CK	AX6904D	SOT-23-3L	C4
AX6902E	SOT-23-3L	CL	AX6904E	SOT-23-3L	C5
AX6902F	SOT-23-3L	CM	AX6904F	SOT-23-3L	C6
AX6902G	SOT-23-3L	CN	AX6904G	SOT-23-3L	C7
AX6902H	SOT-23-3L	Cd	AX6904H	SOT-23-3L	Ch
AX6902I	SOT-23-3L	Ce	AX6904I	SOT-23-3L	Cm
AX6902J	SOT-23-3L	Ck	AX6904J	SOT-23-3L	Cn

**❖ ABSOLUTE MAXIMUM RATINGS (at T<sub>A</sub>=25°C)**

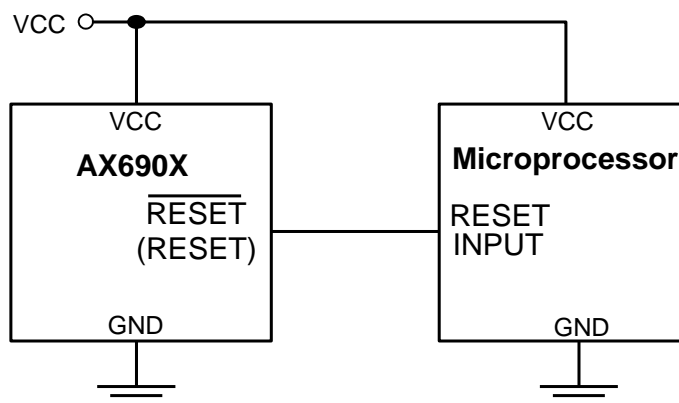
Characteristics	Symbol	Rating	Unit
VCC Pin Voltage	V <sub>CC</sub>	GND - 0.3 to GND + 6.5	V
RESET, $\overline{\text{RESET}}$ (push-pull) Pin Voltage	V <sub>RESET</sub>	GND - 0.3 to V <sub>CC</sub> + 0.3	V
Input Current, V <sub>CC</sub>	I <sub>CC</sub>	20	mA
Output Current, RESET, $\overline{\text{RESET}}$	I <sub>O</sub>	5	mA
Power Dissipation	PD	(T <sub>J</sub> -T <sub>A</sub> ) / θ <sub>JA</sub>	mW
Storage Temperature Range	T <sub>ST</sub>	-60 to +150	°C
Operating Temperature Range	T <sub>OP</sub>	-40 to +85	°C
Junction Temperature	T <sub>J</sub>	-40 to +150	°C
Thermal Resistance from Junction to case	θ <sub>JC</sub>	110	°C/W
Thermal Resistance from Junction to ambient	θ <sub>JA</sub>	250	°C/W

Note: θ<sub>JA</sub> is measured with the PCB copper area of approximately 1 in<sup>2</sup>(Multi-layer). That need connect to V<sub>SS</sub> pin.

❖ ELECTRICAL CHARACTERISTICS  $T_A=25^\circ\text{C}$  (unless otherwise noted)

Characteristics	Symbol	Conditions	Min	Typ	Max	Units
Operating $V_{CC}$ Range	$V_{\text{Range}}$		1.0	-	6	V
Supply Current	$I_{CC}$	$V_{CC} = V_{TH} + 1.0V$	-	25	35	$\mu\text{A}$
Reset Threshold $T_A=25^\circ\text{C}$	$V_{TH}$	AX6901/2/3/4A	4.54	4.63	4.71	V
		AX6901/2/3/4B	4.29	4.38	4.46	
		AX6901/2/3/4I	4.16	4.25	4.33	
		AX6901/2/3/4C	3.92	4.00	4.08	
		AX6901/2/3/4D	3.02	3.08	3.15	
		AX6901/2/3/4E	2.87	2.93	3.00	
		AX6901/2/3/4H	2.64	2.70	2.75	
		AX6901/2/3/4F	2.57	2.63	2.69	
AX6901/2/3/4G	2.20	2.25	2.30			
Reset Threshold Tempco	$V_{THT}$	$T_A = 0^\circ\text{C}$ to $+85^\circ\text{C}$	-	50	-	ppm/ $^\circ\text{C}$
Set-up Time	$T_S$	$V_{CC} = 0$ to $(V_{TH} - 100\text{mV})$	1	-	-	$\mu\text{s}$
$V_{CC}$ to Reset Delay	$T_{RD}$	$V_{CC} = V_{TH}$ to $(V_{TH} - 100\text{mV})$	-	20	-	$\mu\text{s}$
Reset Active Timeout Period	$T_{DELAY}$	$T_A = 0^\circ\text{C}$ to $+85^\circ\text{C}$	160	200	260	ms
$\overline{\text{RESET}}$ Output Voltage (AX6901/3)	$V_{OL}$	$1.8V < V_{CC} < V_{TH(\text{min})}$ , $I_{\text{SINK}} = 1.2\text{mA}$	-	-	0.3	V
		$1.2V < V_{CC} < 1.8V$ , $I_{\text{SINK}} = 50\mu\text{A}$				
	$V_{OH}$	$V_{CC} > V_{TH(\text{max})}$ , $I_{\text{SOURCE}} = 500\mu\text{A}$ ,	$0.8V_{CC}$	-	-	V
RESET Output Voltage (AX6902/4)	$V_{OL}$	$V_{CC} > V_{TH(\text{max})}$ , $I_{\text{SINK}} = 1.2\text{mA}$ ,	-	-	0.3	V
		$1.8V < V_{CC} < V_{TH(\text{min})}$ , $I_{\text{SOURCE}} = 500\mu\text{A}$	0.8	-	-	
	$V_{OH}$	$1.2V < V_{CC} < 1.8V$ , $I_{\text{SOURCE}} = 150\mu\text{A}$	$V_{CC}$	-	-	V
Hysteresis at $V_{CC}$	$V_{Hys}$	Input voltage	-	40	-	mV

❖ APPLICATION CIRCUIT



## ❖ FUNCTION DESCRIPTIONS

A microprocessor's ( $\mu\text{P}$ 's) reset input starts the  $\mu\text{P}$  in a known state. The AX6901/2/3/4 asserts reset to prevent code-execution errors during power-up, power-down, or brownout conditions. They assert a reset signal whenever the VCC supply voltage declines below a preset threshold, keeping it asserted for at least 200ms after VCC has risen above the reset threshold. The AX6901/2/3/4 has a push-pull output stage.

## ❖ APPLICATION INFORMATION

### Negative-Going VCC Transients

In addition to issuing a reset to the  $\mu\text{P}$  during power-up, power-down, and brownout conditions, the AX6901/2/3/4 is relatively immune to short-duration negative-going VCC transients (glitches).

The AX6901/2/3/4 does not generate a reset pulse. The graph was generated using a negative going pulse applied to VCC, starting 0.5V above the actual reset threshold and ending below it by the magnitude indicated (reset comparator overdrive). The graph indicates the maximum pulse width a negative going VCC transient can have without causing a reset pulse. As the magnitude of the transient increases (goes farther below the reset threshold), the maximum allowable pulse width decreases. Typically, a VCC transient that goes 50mV below the reset threshold A 0.1 $\mu\text{F}$  bypass capacitor mounted as close as possible to the VCC pin provides additional transient immunity.

### Ensuring a Valid Reset Output Down to VCC = 0

$\overline{\text{RESET}}$  is guaranteed to be a logic low for VCC > 1.0V. Once VCC exceeds the reset threshold, an internal timer keeps  $\overline{\text{RESET}}$  low for the reset timeout period; after this interval,  $\overline{\text{RESET}}$  goes high. If a brownout condition occurs (VCC dips below the reset threshold),  $\overline{\text{RESET}}$  goes low. Any time VCC goes below the reset threshold, the internal timer resets to zero, and  $\overline{\text{RESET}}$  goes low. The internal timer starts after VCC returns above the reset threshold, and  $\overline{\text{RESET}}$  remains low for the reset timeout period.

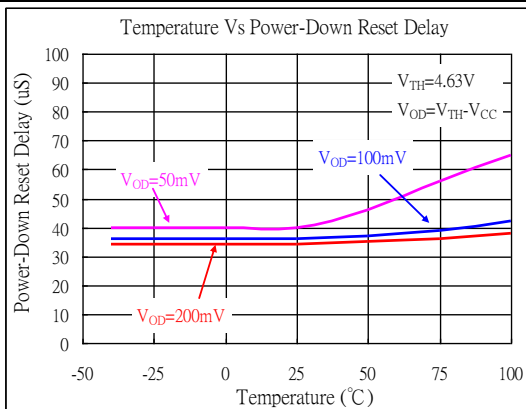
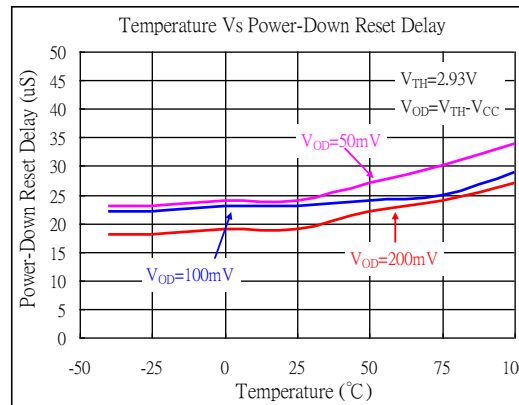
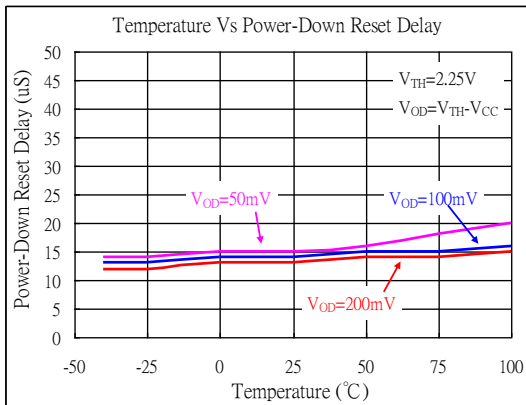
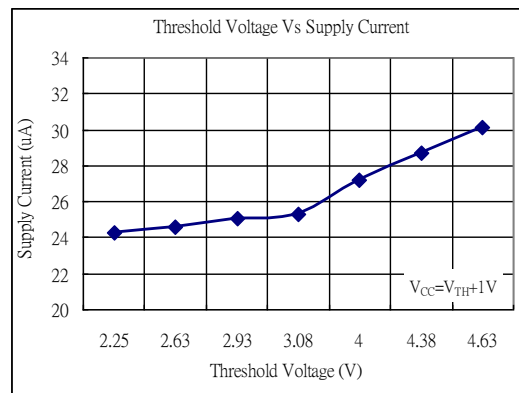
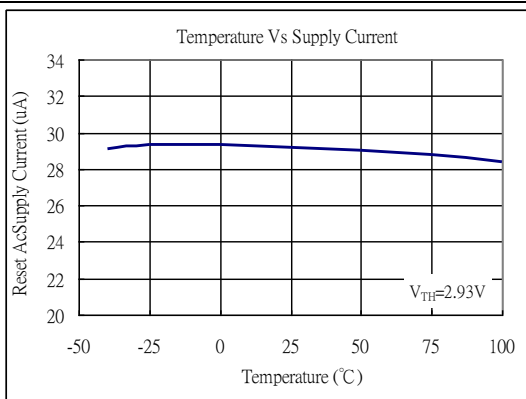
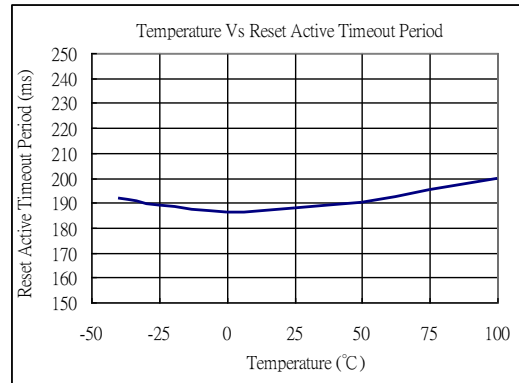
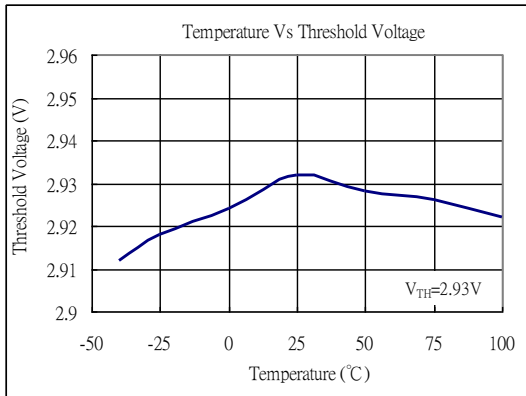
When VCC falls below 1.0V, the AX6901/3  $\overline{\text{RESET}}$  output no longer sinks current—it becomes an open circuit. Therefore, high-impedance CMOS logic inputs connected to  $\overline{\text{RESET}}$  can drift to undetermined voltages.

This presents no problem in most applications since most  $\mu\text{P}$  and other circuitry is inoperative with VCC below 1.0V. However, in applications where  $\overline{\text{RESET}}$  must be valid down to 0V, adding a pull down resistor to  $\overline{\text{RESET}}$  causes any stray leakage currents to flow to ground, holding  $\overline{\text{RESET}}$  low. R1's value is not critical; 100k is large enough not to load  $\overline{\text{RESET}}$  and small enough to pull  $\overline{\text{RESET}}$  to ground. For the AX6902/4 if  $\overline{\text{RESET}}$  is required to remain valid for VCC < 1.0V.

### **Benefits of Highly Accurate Reset Threshold**

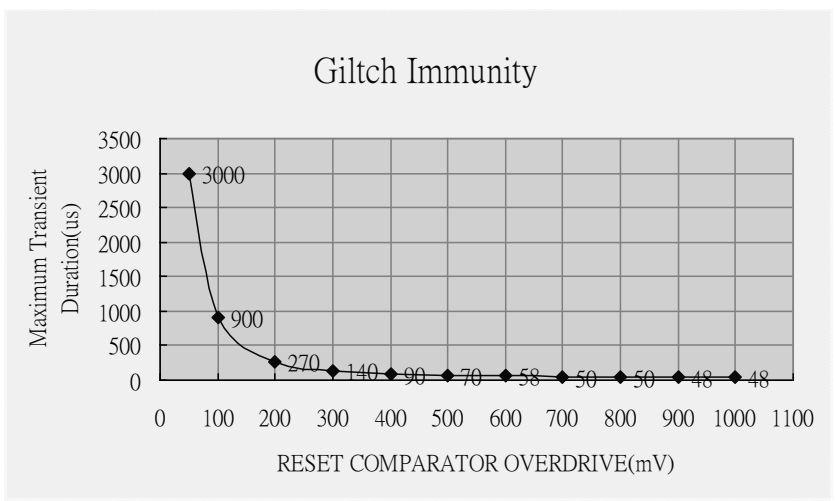
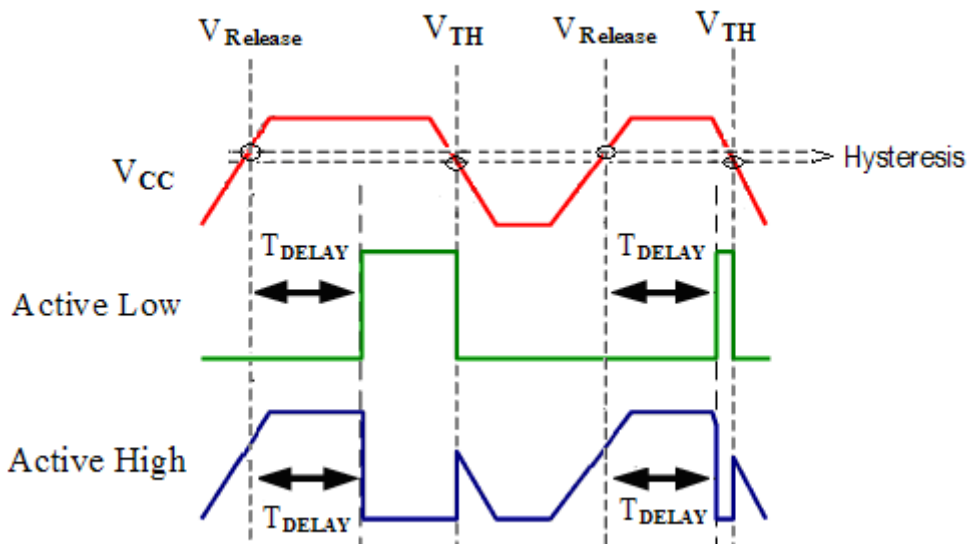
Most  $\mu$ P supervisor ICs has reset threshold voltages between 5% and 10% below the value of nominal supply voltages. This ensures a reset will not occur within 5% of the nominal supply, but will occur when the supply is 10% below nominal. When using ICs rated at only the nominal supply  $\pm 5\%$ , this leaves a zone of uncertainty where the supply is between 5% and 10% low, and where the reset may or may not be asserted.

❖ TYPICAL CHARACTERISTICS



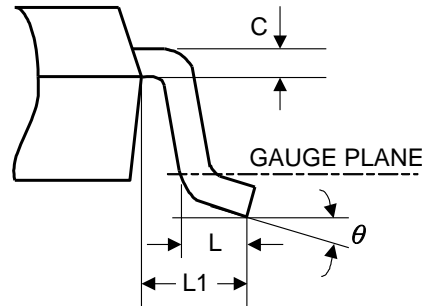
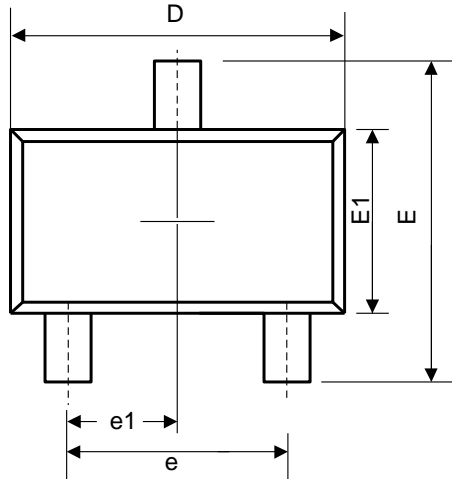


❖ TIMING DIAGRAM

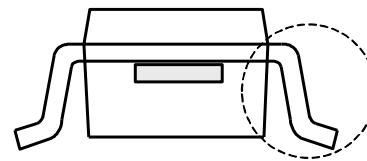
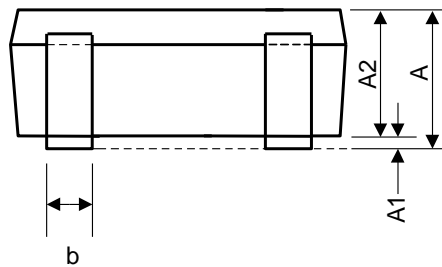


❖ PACKAGE OUTLINES

SOT-23-3L



VIEW C



SEE VIEW C

Symbol	Dimensions in Millimeters			Dimensions in Inches		
	Min.	Nom.	Max.	Min.	Nom.	Max.
A	1.05	-	1.45	0.041	-	0.057
A1	0.05	-	0.15	0.002	-	0.006
A2	0.90	1.10	1.30	0.035	0.043	0.051
b	0.30	-	0.50	0.012	-	0.020
C	0.08	-	0.20	0.003	-	0.008
D	2.70	2.90	3.10	0.106	0.114	0.122
E	2.60	2.80	3.00	0.102	0.110	0.118
E1	1.40	1.60	1.80	0.055	0.063	0.071
L	0.30	-	0.60	0.012	-	0.024
L1	0.50	0.60	0.70	0.020	0.024	0.028
e	1.80	1.90	2.00	0.071	0.075	0.079
e1	0.85	1.00	1.15	0.033	0.039	0.045
θ	0°	5°	10°	0°	5°	10°