

## 阅读申明

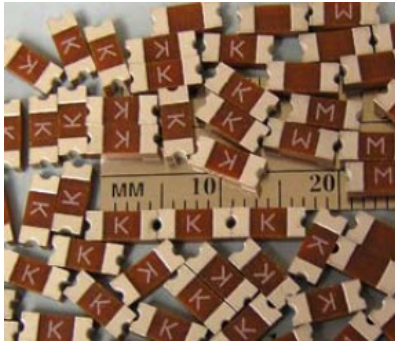
- 1.本站收集的数据手册和产品资料都来自互联网，版权归原作者所有。如读者和版权方有任何异议请及时告之，我们将妥善解决。
- 2.本站提供的中文数据手册是英文数据手册的中文翻译，其目的是协助用户阅读，该译文无法自动跟随原稿更新，同时也可能存在翻译上的不当。建议读者以英文原稿为参考以便获得更精准的信息。
- 3.本站提供的产品资料，来自厂商的技术支持或者使用者的心得体会等，其内容可能存在描述上的差异，建议读者做出适当判断。
- 4.如需与我们联系，请发邮件到marketing@iczoom.com，主题请标有“数据手册”字样。

## Read Statement

1. The datasheets and other product information on the site are all from network reference or other public materials, and the copyright belongs to the original author and original published source. If readers and copyright owners have any objections, please contact us and we will deal with it in a timely manner.
2. The Chinese datasheets provided on the website is a Chinese translation of the English datasheets. Its purpose is for reader's learning exchange only and do not involve commercial purposes. The translation cannot be automatically updated with the original manuscript, and there may also be improper translations. Readers are advised to use the English manuscript as a reference for more accurate information.
3. All product information provided on the website refer to solutions from manufacturers' technical support or users the contents may have differences in description, and readers are advised to take the original article as the standard.
4. If you have any questions, please contact us at marketing@iczoom.com and mark the subject with "Datasheets" .

# AirMatrix® Surface Mount Fuses

## AF Series, 2410 Size



### Features:

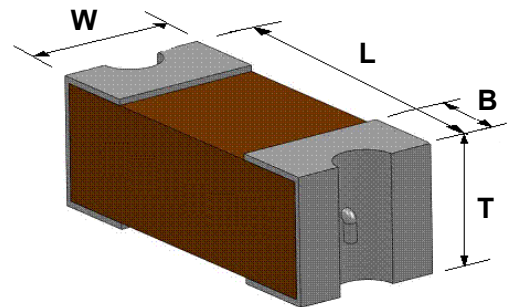
- Fast acting at 200% overload current level
- Excellent inrush current withstanding capability
- Fiberglass enforced epoxy fuse body
- Copper or copper alloy composite fuse link
- Copper termination with nickel and tin plating
- Halogen free, RoHS compliant and 100% lead-free
- Operating temperature range: -55°C to +125°C (with de-rating)

### Application Fields:

- Power Supply, e.g. DC/DC converters, DC/AC inverters, Backlight drivers , etc.
- Consumer Electronics, e.g. LCD TVs, PDP, DVDs, PCM , etc.
- Communication Technology, e.g. Telecom systems, Networking, Modems, Routers, Chargers, Base stations , etc.
- Office Automation Electronics
- IT Products, e.g. LCD monitors, Notebooks, PC servers, etc.

### Shape and Dimensions:

Unit	Inch	mm
<b>L</b>	0.240 ± 0.006	6.10 ± 0.15
<b>W</b>	0.098 ± 0.006	2.49 ± 0.15
<b>T</b>	0.085 ± 0.008	2.16 ± 0.20
<b>B</b>	0.053 ± 0.015	1.35 ± 0.38



### Clearing Time Characteristics:

% of Current Rating	Clearing Time at 25°C	
100%	4 hours min.	
200%(0.50~10.0 A)	0.01 seconds min.	5 seconds max.
200%(12.0~20.0 A)	0.01 seconds min.	20 seconds max.

### Agency Approval:

- Recognized Under the Components Program of Underwriters Laboratories. File Number: E232989
- PSE Certificate No: NBK180711-JP13710
- TUV File Number: 50209083
- CQC No.: CQC11012065955

### Patents:

Patent numbers “ZL200810092353.3”, “ZL200910007157.6”, “ZL201120450579.3”, “ZL201120536307.5”, “ZL201220063222.4”, “ZL201110123326.X”.

## AirMatrix® Surface Mount Fuses

### AF Series, 2410 Size

#### Ordering Information:

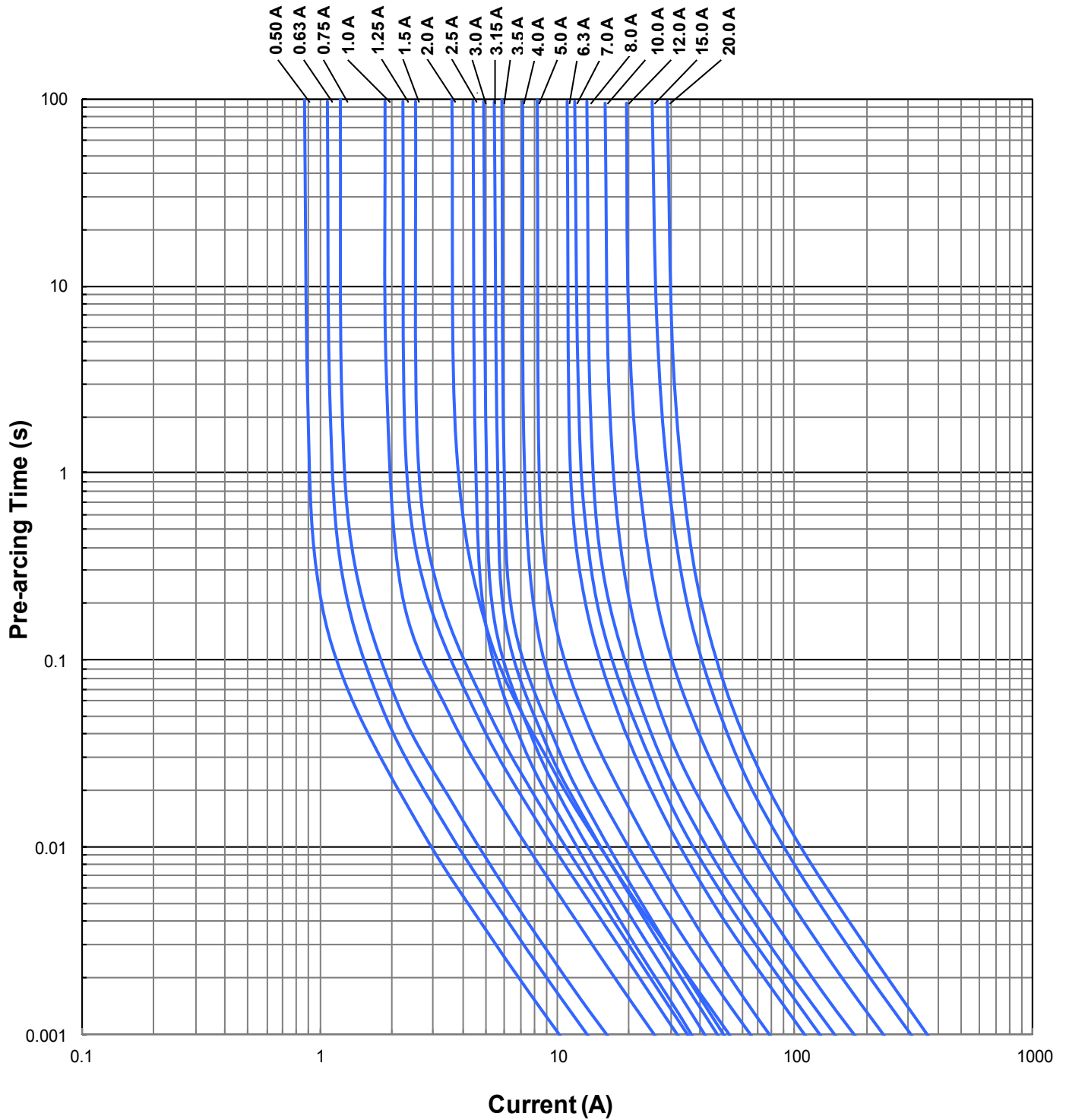
Part Number	Current Rating (A)	Voltage Rating (V)		Interrupting Rating	Nominal Cold DCR ( $\Omega$ ) <sup>1</sup>	Nominal $I^2t$ ( $A^2s$ ) <sup>2</sup>	Agency Approval				Marking (Optional) <sup>3</sup>
		AC	DC				UL	PSE	TUV	CQC	
AF2-0.50V125TM	0.5	250		<b>TUV:</b> 0.5 ~ 2 A 100 A @ 250 VAC 50 A @ 125 VDC	0.231	0.10	✓		✓	✓	C
AF2-0.63V125TM	0.63				0.174	0.16	✓		✓		S
AF2-0.75V125TM	0.75				0.148	0.23	✓				D
AF2-1.00V125TM	1.0				0.093	0.59	✓	✓	✓	✓	E
AF2-1.25V125TM	1.25				0.07	0.96	✓	✓	✓		F
AF2-1.50V125TM	1.5				0.062	1.19	✓	✓			G
AF2-2.00V125TM	2.0				0.042	2.75	✓	✓	✓	✓	I
AF2-2.50V125TM	2.5				0.031	1.21	✓	✓			J
AF2-3.00V125TM	3.0				0.0249	1.73	✓	✓			K
AF2-3.15V125TM	3.15				0.0232	2.2	✓	✓			V
AF2-3.50V125TM	3.5	125		<b>CQC:</b> 0.5 A, 1 A, 2 A 100 A @ 250 VAC 50 A @ 125 VDC	0.022	2.5	✓	✓			L
AF2-4.00V125TM	4.0				0.0172	4.1	✓	✓			M
AF2-5.00V125TM	5.0				0.0143	5.9	✓	✓			N
AF2-6.30V125TM	6.3				0.01	12.5	✓				O
AF2-7.00V125TM	7.0				0.0094	14.2	✓				P
AF2-8.00V125TM	8.0				0.0086	20.3	✓				R
AF2-10.0V125TM	10.0				0.0066	29.2	✓				Q
AF2-12.0V065TM	12.0				65	65	<b>UL:</b> 0.5 ~ 2 A 100A @ 250VAC 1.5 ~ 8 A 50A @ 125VAC 0.5 ~ 8 A 50 A @ 125 VDC 300 A @ 32 VDC	0.0053	49.2	✓	
AF2-15.0V065TM	15.0	0.0038	102.5	✓							Y
AF2-20.0V065TM	20.0	0.0034	126.2	✓							Z

1. Measured at  $\leq 10\%$  rated current and 25°C ambient.  
 2. Melting  $I^2t$  at 0.001 second pre-arcing time.  
 3. White Marking Character Code.

# AirMatrix<sup>®</sup> Surface Mount Fuses

## AF Series, 2410 Size

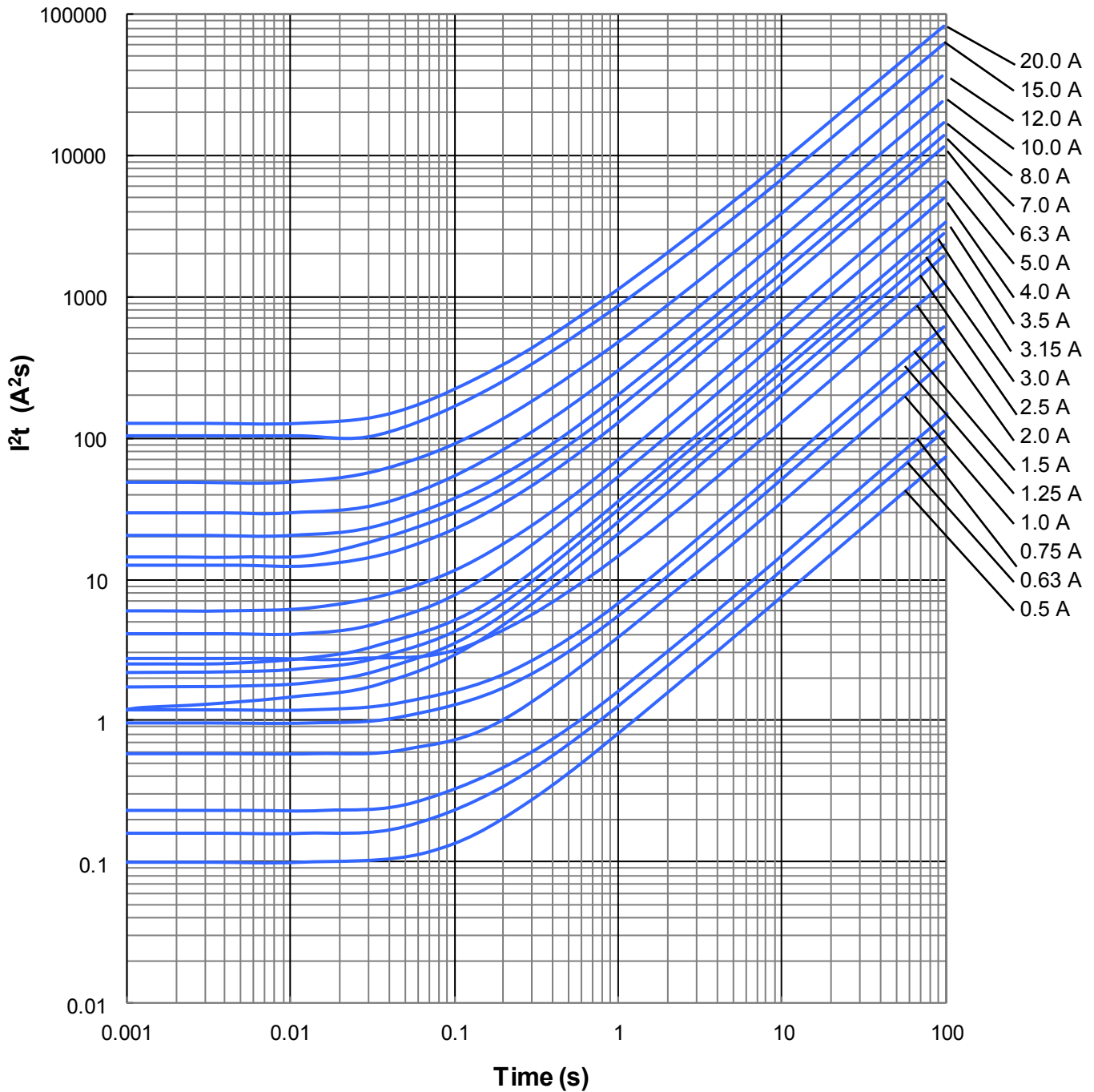
### Average Pre-arcing Time Curves:



# AirMatrix<sup>®</sup> Surface Mount Fuses

## AF Series, 2410 Size

### Average $I^2t$ vs. $t$ Curves:



# Mouser Electronics

Authorized Distributor

Click to View Pricing, Inventory, Delivery & Lifecycle Information:

## AEM:

[AF2-0.50V125TM](#) [AF2-0.63V125TM](#) [AF2-0.75V125TM](#) [AF2-1.00V125TM](#) [AF2-1.25V125TM](#) [AF2-1.50V125TM](#)  
[AF2-2.00V125TM](#) [AF2-2.50V125TM](#) [AF2-3.00V125TM](#) [AF2-3.15V125TM](#) [AF2-3.50V125TM](#) [AF2-4.00V125TM](#) [AF2-](#)  
[5.00V125TM](#) [AF2-6.30V125TM](#) [AF2-7.00V125TM](#) [AF2-8.00V125TM](#) [AF2-10.0V125TM](#) [AF2-12.0V065TM](#) [AF2-](#)  
[15.0V065TM](#) [AF2-20.0V065TM](#)