

阅读申明

- 1.本站收集的数据手册和产品资料都来自互联网，版权归原作者所有。如读者和版权方有任何异议请及时告之，我们将妥善解决。
- 2.本站提供的中文数据手册是英文数据手册的中文翻译，其目的是协助用户阅读，该译文无法自动跟随原稿更新，同时也可能存在翻译上的不当。建议读者以英文原稿为参考以便获得更精准的信息。
- 3.本站提供的产品资料，来自厂商的技术支持或者使用者的心得体会等，其内容可能存在描述上的差异，建议读者做出适当判断。
- 4.如需与我们联系，请发邮件到marketing@iczoom.com，主题请标有“数据手册”字样。

Read Statement

1. The datasheets and other product information on the site are all from network reference or other public materials, and the copyright belongs to the original author and original published source. If readers and copyright owners have any objections, please contact us and we will deal with it in a timely manner.
2. The Chinese datasheets provided on the website is a Chinese translation of the English datasheets. Its purpose is for reader's learning exchange only and do not involve commercial purposes. The translation cannot be automatically updated with the original manuscript, and there may also be improper translations. Readers are advised to use the English manuscript as a reference for more accurate information.
3. All product information provided on the website refer to solutions from manufacturers' technical support or users the contents may have differences in description, and readers are advised to take the original article as the standard.
4. If you have any questions, please contact us at marketing@iczoom.com and mark the subject with "Datasheets" .

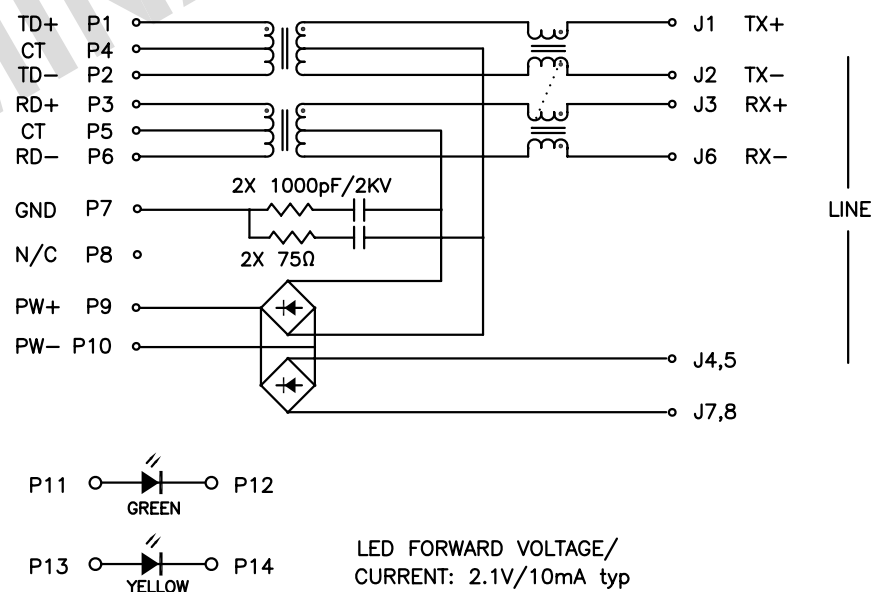
PART NO. : HFJT1-RP22-L12RL



FASTJACK™ (TAB-UP) WITH 10/100BASE-TX MAGNETICS
 DESIGNED FOR FAST ETHERNET IEEE802.3af APPLICATIONS
 POWER ON USED OR UNUSED PAIRS FOR UP TO 350mADC
 RoHS COMPLIANT
 COMPATIBLE TO LEAD-FREE WAVE SOLDERING PROCESS
 FOR THROUGH HOLE COMPONENTS
 OPERATING TEMPERATURE 0 TO 55°C

ELECTRICAL SPECIFICATIONS @ 25° C

Turns Ratio	1CT:1 ±3%
OCL (100KHz,0.1Vrms,8mA)	350µH min
DCR P1-P2,P3-P6	0.9Ω max
Insertion Loss 0.1-100MHz	-1.1dB max
Return Loss 0.5-30MHz	-18dB min
40MHz	-15.5dB min
50MHz	-13.6dB min
60-80MHz	-12dB min
Crosstalk 0.1-100MHz	-38dB typ
CMR 0.1-30MHz	-50dB typ
30-60MHz	-40dB typ
60-100MHz	-30dB typ
Isolation	1,500Vrms

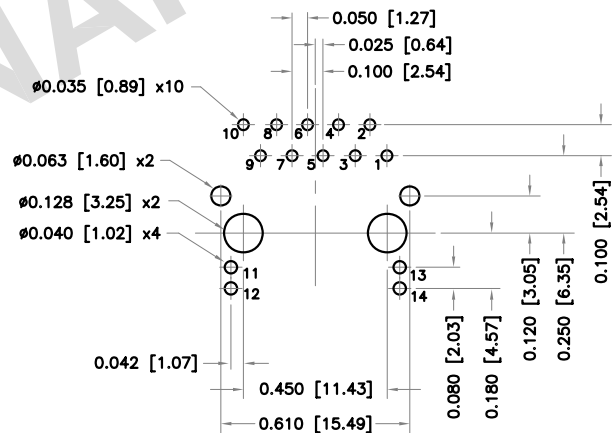
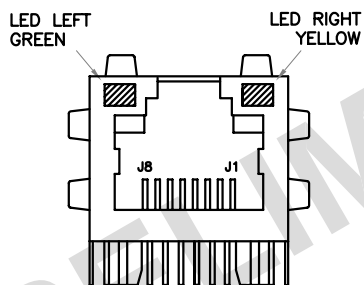
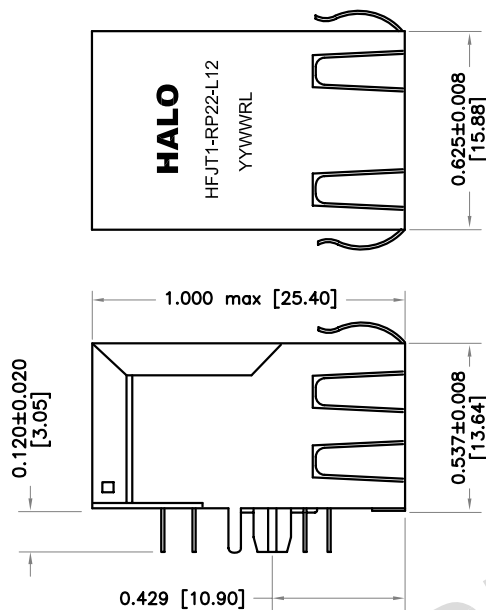


LINE



HALO/PBL	TITLE	FastJack™ SINGLE	SIGNATURES		DATE	REV.	DESC.	DATE
	FOR	FAST ETHERNET IEEE802.3af	DRAWN	PETER LU	5/27/09	A	FIRST ISSUE	5/27/09
	PART NO.	HFJT1-RP22-L12RL	CHECKED	LEI KEONG	5/27/09			
	SCALE	NONE	APPROVED	PETER LU	5/27/09			
		PAGE	1 OF 2	FILE	HFJT1-RP22-L12RL.DWG			

CALIFORNIA, USA
 KOWLOON, HONG KONG
 SINGAPORE



RECOMMENDED P.C. BOARD PATTERN (COMP. SIDE)

Housing Material: Polyester, Black UL94V-0
 Contacts: Phosphor Bronze 30µin Au plating over Ni
 Leads: Matte Sn over Ni
 Shield: Cu Alloy with Ni plating 40µin min
 Durability: 1000 mating cycles
 Dimensions: Inch [mm]
 Tolerances: ±0.008 inch if not specified

HALO/PBL	TITLE FastJack™ SINGLE		SIGNATURES		DATE	REV.	DESC.	DATE
	FOR FAST ETHERNET IEEE802.3af		DRAWN PETER LU		5/27/09	A	FIRST ISSUE	5/27/09
	PART NO. HFJT1-RP22-L12RL		CHECKED LEI KEONG		5/27/09			
	SCALE NONE		PAGE 2 OF 2		APPROVED PETER LU	5/27/09		
CALIFORNIA, USA KOWLOON, HONG KONG SINGAPORE				FILE HFJT1-RP22-L12RL.DWG				

Mouser Electronics

Authorized Distributor

Click to View Pricing, Inventory, Delivery & Lifecycle Information:

[HALO Electronics:](#)

[HFJT1-RP22-L12RL](#)