

## 阅读申明

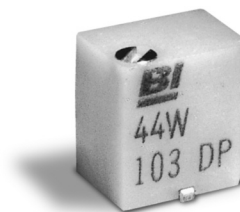
- 1.本站收集的数据手册和产品资料都来自互联网，版权归原作者所有。如读者和版权方有任何异议请及时告之，我们将妥善解决。
- 2.本站提供的中文数据手册是英文数据手册的中文翻译，其目的是协助用户阅读，该译文无法自动跟随原稿更新，同时也可能存在翻译上的不当。建议读者以英文原稿为参考以便获得更精准的信息。
- 3.本站提供的产品资料，来自厂商的技术支持或者使用者的心得体会等，其内容可能存在描述上的差异，建议读者做出适当判断。
- 4.如需与我们联系，请发邮件到marketing@iczoom.com，主题请标有“数据手册”字样。

## Read Statement

1. The datasheets and other product information on the site are all from network reference or other public materials, and the copyright belongs to the original author and original published source. If readers and copyright owners have any objections, please contact us and we will deal with it in a timely manner.
2. The Chinese datasheets provided on the website is a Chinese translation of the English datasheets. Its purpose is for reader's learning exchange only and do not involve commercial purposes. The translation cannot be automatically updated with the original manuscript, and there may also be improper translations. Readers are advised to use the English manuscript as a reference for more accurate information.
3. All product information provided on the website refer to solutions from manufacturers' technical support or users the contents may have differences in description, and readers are advised to take the original article as the standard.
4. If you have any questions, please contact us at marketing@iczoom.com and mark the subject with "Datasheets" .

# Model 44

## 4mm Square Multiturn Surface Mount Cermet Trimming Potentiometer



### FEATURES AND BENEFITS

- Space saving SMD package for the most compact board designs
- Sealed to withstand aggressive water wash
- Long life - set and forget construction
- BI quality and reliability
- Available in top and side adjustment versions and J-Hook or gull wing termination

### ELECTRICAL

Standard Resistance Range	10 Ohms to 2 Megohms
Standard Resistance Tolerance	±10% (<100 Ohms = ±20%)
Input Voltage	300 Vdc Max. or rms not to exceed power rating
Slider Current	100 mA Max. or within rated power, whichever is less
Power Rating	0.25 Watts at 85°C derating to 0 at 150°C
End Resistance	1% or 2 Ohms Max., whichever is greater
Actual Electrical Travel	9 turns nominal
Dielectric Strength	600 Vrms
Insulation Resistance	1,000 Megohms Min.
Resolution	Essentially infinite
Contact Resistance Variation	1% or 3 Ohms Max., whichever is greater

### ENVIRONMENTAL

Seal	85°C Fluorinert® (No Leaks)
Temperature Coefficient	±100 ppm/°C (<100 Ohms = ±250 ppm/°C)
Operating Temperature Range	-65°C to +150°C
Thermal Shock	Five cycles -65°C to +150°C (2% ΔRT, 1% ΔVR)
Moisture Resistance	Ten 24 hour cycles (2% ΔRT, IR 10 Megohms Min.)
Shock	6 ms sawtooth, 100 G's (1% ΔRT, 1% ΔVR)
Vibration	20 G's, 10 to 2,000 Hz (1% ΔRT, 1% ΔVR)
Rotational Life	200 cycles (3% ΔRT, 1% CRV)
Load Life	1,000 hours at 85°C & 0.25 Watts (2% ΔRT, 1% CRV)
Resistance to Solder Heat	260°C for 10 sec. (1% ΔRT)
Temperature Exposure	215°C for 3 min. Max. (1% ΔRT)
Solderability	Per MIL-STD-202, Method 208

Specifications subject to change without notice.  
Fluorinert® is a registered trademark of 3M Company.

~~Pb~~ **RoHS 2  
compliant**

# Model 44

## MECHANICAL

Mechanical Stops	Clutch action, both ends
Torque, Starting	3 oz.-in. Max. (0.021 N-m)
Weight	0.01 oz. nominal (0.3 grams)

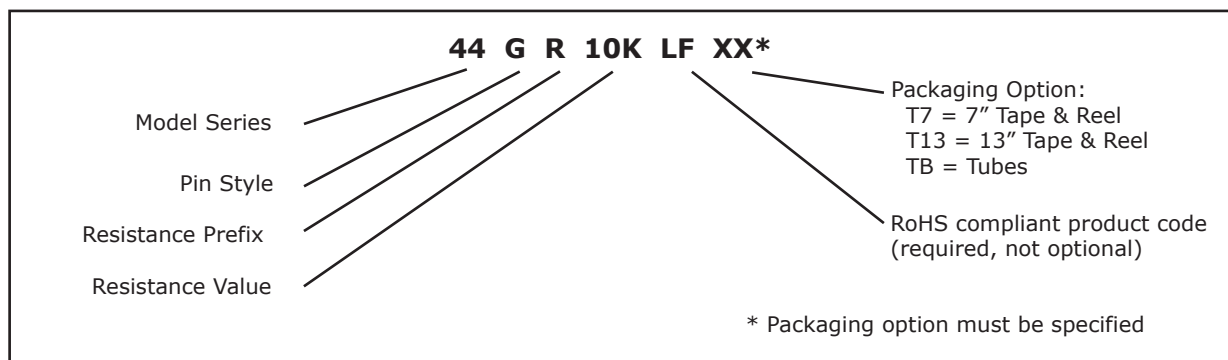
## PACKAGING

Standard: Embossed Tape & Reel. All units oriented with #1 pin to the right of the direction of feed.

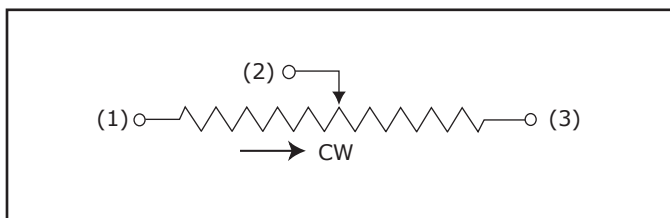
13" Reel				7" Reel	
	Pin Style	G & J	W	G & J	W
Tape	Width =	12 mm	16 mm	12 mm	16 mm
	Sprocket =	4 mm pitch	4 mm pitch	4 mm pitch	4 mm pitch
	Capacity =	1,000 units	1,000 units	500 units	250 units
Reel	Diameter =	13" (330.2 mm)		7" (178 mm)	

Option: Anti-static tubes. All units oriented with #1 pin to same side. Tube capacity = 100 units.

## ORDERING INFORMATION



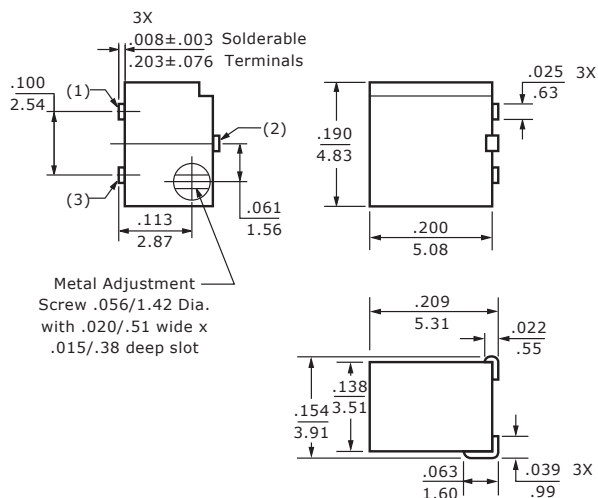
## CIRCUIT DIAGRAM



# Model 44

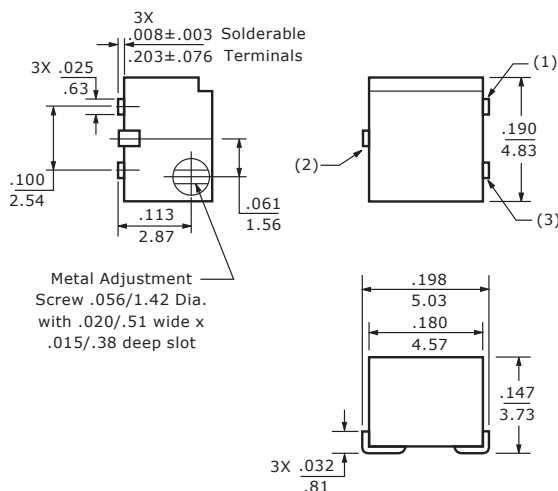
## TOP ADJUSTMENT

### Model 44W



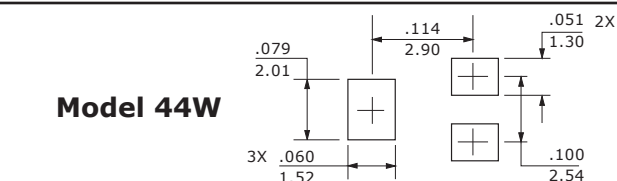
## SIDE ADJUSTMENT

### Model 44J

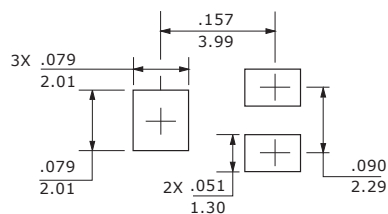


## SOLDER PAD LAYOUT

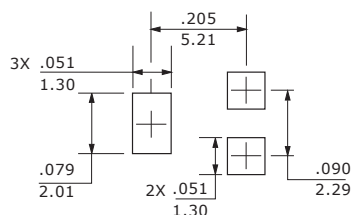
### Model 44W



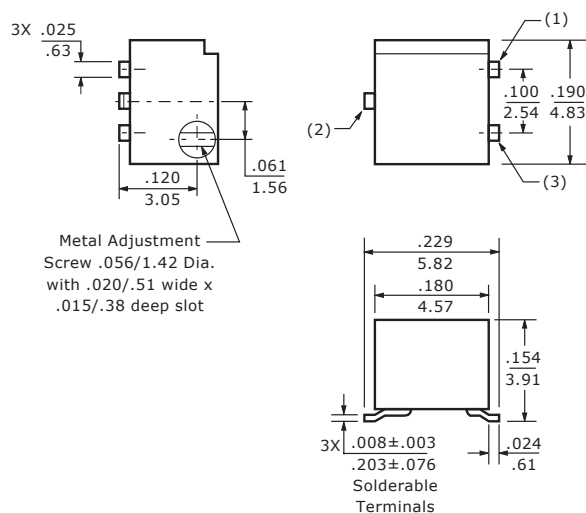
### Model 44J



### Model 44G



### Model 44G



1. Dimensions in inch/mm
2. Tolerances  $\pm 0.012$  inch (0.30 mm) unless otherwise specified

## STANDARD RESISTANCE VALUES

10	100	1K	10K	50K	250K	2Meg
20	200	2K	20K	100K	500K	
50	500	5K	25K	200K	1Meg	

# Mouser Electronics

Authorized Distributor

Click to View Pricing, Inventory, Delivery & Lifecycle Information:

## BI Technologies:

[44WR1MLFTB](#)

## TT Electronics:

[44WR1KLFT7](#) [44GR10KLFT7](#) [44GR1KLFT7](#) [44GR5KLFTB](#) [44JR100KLFTB](#) [44JR10KLFTB](#) [44JR1KLFTB](#)  
[44JR20KLFT7](#) [44JR20KLFTB](#) [44JR2KLFTB](#) [44JR500KLFTB](#) [44JR500LFT13](#) [44JR500LFT7](#) [44JR50KLFT13](#)  
[44JR5KLFT13](#) [44WR5KLFTB](#) [44WR20LFTB](#) [44WR50KLFTB](#) [44WR10KLFTB](#) [44WR20KLFTB](#) [44WR20KLFT7](#)  
[44WR50KLFT7](#) [44WR10KLFT7](#) [44WR1KLFTB](#) [44WR2KLFT7](#) [44WR2MLFT7](#) [44WR25KLFT7](#) [44WR2MLFTB](#)  
[44WR25KLFTB](#) [44WR50LFT7](#) [44WR250KLFT7](#) [44WR200KLFT7](#) [44WR500KLFT7](#) [44WR100KLFT7](#) [44WR10LFT7](#)  
[44WR2KLFTB](#) [44WR20LFT7](#) [44WR100KLFTB](#) [44WR500KLFTB](#) [44WR200KLFTB](#) [44WR250KLFTB](#) [44WR10LFTB](#)  
[44WR50LFTB](#) [44WR1MLFT7](#) [44WR100LFT7](#) [44WR500LFT7](#) [44WR200LFT7](#) [44WR100LFTB](#) [44WR500LFTB](#)  
[44WR200LFTB](#) [44WR5KLFT7](#) [44WR1MEGLFTB](#) [44GR100KLFTB](#)