

## 阅读申明

- 1.本站收集的数据手册和产品资料都来自互联网，版权归原作者所有。如读者和版权方有任何异议请及时告之，我们将妥善解决。
- 2.本站提供的中文数据手册是英文数据手册的中文翻译，其目的是协助用户阅读，该译文无法自动跟随原稿更新，同时也可能存在翻译上的不当。建议读者以英文原稿为参考以便获得更精准的信息。
- 3.本站提供的产品资料，来自厂商的技术支持或者使用者的心得体会等，其内容可能存在描述上的差异，建议读者做出适当判断。
- 4.如需与我们联系，请发邮件到marketing@iczoom.com，主题请标有“数据手册”字样。

## Read Statement

1. The datasheets and other product information on the site are all from network reference or other public materials, and the copyright belongs to the original author and original published source. If readers and copyright owners have any objections, please contact us and we will deal with it in a timely manner.
2. The Chinese datasheets provided on the website is a Chinese translation of the English datasheets. Its purpose is for reader's learning exchange only and do not involve commercial purposes. The translation cannot be automatically updated with the original manuscript, and there may also be improper translations. Readers are advised to use the English manuscript as a reference for more accurate information.
3. All product information provided on the website refer to solutions from manufacturers' technical support or users the contents may have differences in description, and readers are advised to take the original article as the standard.
4. If you have any questions, please contact us at marketing@iczoom.com and mark the subject with "Datasheets" .

# DATA SHEET

## GENERAL PURPOSE CHIP RESISTORS

RC0603  
5%, 1%, 0.5%

RoHS compliant



**SCOPE**

This specification describes RC0603 series chip resistors with lead-free terminations made by thick film process.

**APPLICATIONS**

- All general purpose application

**FEATURES**

- RoHS compliant
  - Products with lead free terminations meet RoHS requirements
  - Pb-glass contained in electrodes, resistor element and glass are exempted by RoHS
- Reducing environmentally hazardous wastes
- High component and equipment reliability
- Saving of PCB space
- None forbidden-materials used in products/production
- Halogen Free Epoxy

**ORDERING INFORMATION - GLOBAL PART NUMBER & I2NC**

Both part numbers are identified by the series, size, tolerance, packing type, temperature coefficient, taping reel and resistance value.

**YAGEO BRAND ordering code**

**GLOBAL PART NUMBER (PREFERRED)**

**RC0603 X R - XX XXXX L**  
 (1) (2) (3) (4) (5) (6)

**(1) TOLERANCE**

D = ±0.5%  
 F = ±1%  
 J = ±5% (for Jumper ordering, use code of J)

**(2) PACKAGING TYPE**

R = Paper / PE taping reel

**(3) TEMPERATURE COEFFICIENT OF RESISTANCE**

- = Base on spec

**(4) TAPING REEL**

07 = 7 inch dia. Reel  
 10 = 10 inch dia. Reel  
 13 = 13 inch dia. Reel

**(5) RESISTANCE VALUE**

There are 2~4 digits indicated the resistor value. Letter R/K/M is decimal point, no need to mention the last zero after R/K/M, e.g. 1K2, not 1K20.

Detailed resistance rules show in table of "Resistance rule of global part number".

**(6) DEFAULTCODE**

Letter L is the system default code for ordering only. <sup>(Note)</sup>

Resistance code rule	Example
OR	OR = Jumper
XRX	IR = 1 Ω
(1 to 9.76 Ω)	IR5 = 1.5 Ω
	9R76 = 9.76 Ω
XXRX	10R = 10 Ω
(10 to 97.6 Ω)	97R6 = 97.6 Ω
XXXR	100R = 100 Ω
(100 to 976 Ω)	
XKXX	1K = 1,000 Ω
(1 to 9.76 KΩ)	9K76 = 9760 Ω
XMXX	1M = 1,000,000 Ω
(1 to 9.76 MΩ)	9M76 = 9,760,000 Ω

**ORDERING EXAMPLE**

The ordering code of a RC0603 chip resistor, value 56 X with ±1% tolerance, supplied in 7-inch tape reel is: RC0603FR-0756RL.

**NOTE**

1. All our RSMD products meet RoHS compliant. "LFP" of the internal 2D reel label mentions "Lead Free Process"
2. On customized label, "LFP" or specific symbol printed and the optional "L" at the end of GLOBAL PART NUMBER / I2NC can be added (both are on customer request)

**PHYCOMP BRAND ordering codes**

Both GLOBAL PART NUMBER (preferred) and I2NC (traditional) codes are acceptable to order Phycomp brand products.

**GLOBAL PART NUMBER (PREFERRED)**

For detailed information of GLOBAL PART NUMBER and ordering example, please refer to page 2.

**I2NC CODE**

**2322 / 2350**    **XXX XXXXX L**  
 (1)                      (2)    (3)    (4)

TYPE/ 0603	START IN <sup>(1)</sup>	TOL. (%)	RESISTANCE RANGE	PAPER / PE TAPE ON REEL (units) <sup>(2)</sup>		
				5,000	10,000/not preferred	20,000
RC21	2322	±5%	1 to 10 MΩ	702 60xxx	702 70xxx	702 81xxx
RC22	2322	±1%	1 to 10 MΩ	704 6xxxx	704 7xxxx	704 8xxxx
HRC21	2350	±5%	11 to 22 MΩ	522 10xxx	-	-
Jumper	2322	-	0 Ω	702 96001	702 97001	702 92002

- (1) The resistors have a 12-digit ordering code starting with 2322 / 2350.
- (2) The subsequent 4 or 5 digits indicate the resistor tolerance and packaging.
- (3) The remaining 4 or 3 digits represent the resistance value with the last digit indicating the multiplier as shown in the table of "Last digit of I2NC".
- (4) "L" is optional symbol <sup>(Note)</sup>.

**ORDERING EXAMPLE**

The ordering code of a RC22 resistor, value 56 X with ±1% tolerance, supplied in tape of 5,000 units per reel is: 232270465609(L) or RC0603FR-0756R(L).

Resistance decade <sup>(3)</sup>	Last digit
0.01 to 0.0976 X	0
0.1 to 0.976 X	7
1 to 9.76 X	8
10 to 97.6 X	9
100 to 976 X	1
1 to 9.76 KX	2
10 to 97.6 KX	3
100 to 976 KX	4
1 to 9.76 MX	5
10 to 97.6 MX	6

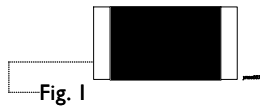
Example: 0.02 X = 0200 or 200  
 0.3 X = 3007 or 307  
 1 X = 1008 or 108  
 33 KX = 3303 or 333  
 10 MX = 1006 or 106

**NOTE**

- 1. All our RSMD products are RoHS compliant. "LFP" of the internal 2D reel label mentions "Lead Free Process"
- 2. On customized label, "LFP" or specific symbol printed and the optional "L" at the end of GLOBAL PART NUMBER / I2NC can be added (both are on customer request)

**MARKING**

RC0603



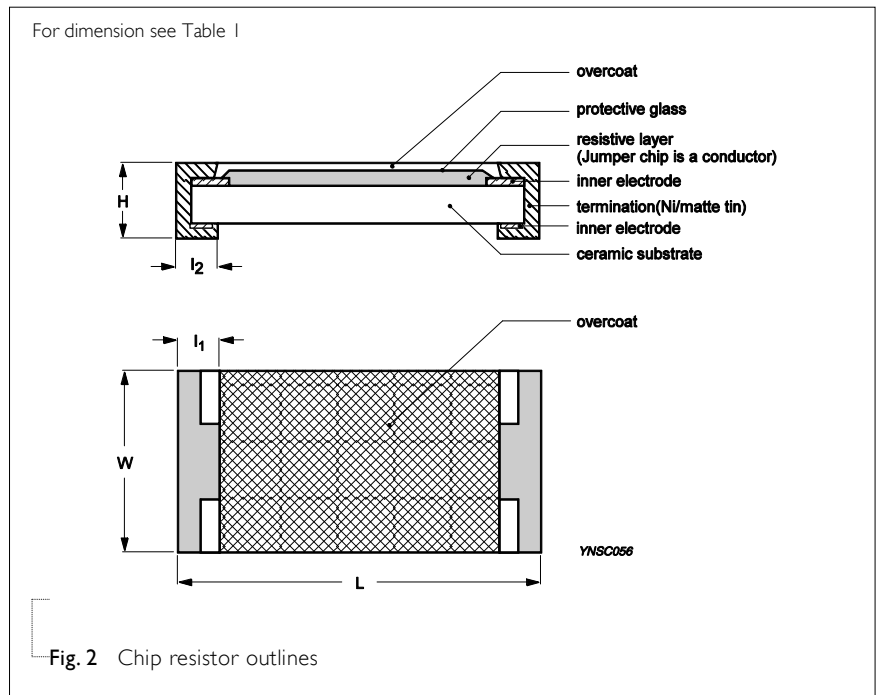
No marking

For further marking information, please refer to data sheet “Chip resistors marking”.

**CONSTRUCTION**

The resistor is constructed on top of a high-grade ceramic body. Internal metal electrodes are added on each end to make the contacts to the thick film resistive element. The composition of the resistive element is a noble metal imbedded into a glass and covered by a second glass to prevent environment influences. The resistor is laser trimmed to the rated resistance value. The resistor is covered with a protective epoxy coat, finally the two external terminations (matte tin on Ni-barrier) are added. See fig.4

**OUTLINES**



**DIMENSIONS**

Table I

TYPE	RC0603
L (mm)	1.60 ±0.10
W (mm)	0.80 ±0.10
H (mm)	0.45 ±0.10
l <sub>1</sub> (mm)	0.25 ±0.15
l <sub>2</sub> (mm)	0.25 ±0.15

**ELECTRICAL CHARACTERISTICS**

Table 2

CHARACTERISTICS		RC0603 1/10 W
Operating Temperature Range		-55 °C to +155 °C
Maximum Working Voltage		75 V
Maximum Overload Voltage		150 V
Dielectric Withstanding Voltage		100 V
Resistance Range	5% (E24)	1 Ω to 22 MΩ
	1% (E24/E96)	1 Ω to 10 MΩ
	0.5% (E24/E96)	10 Ω to 1 MΩ
	Zero Ohm Jumper	< 0.05 Ω
Temperature Coefficient	1 Ω ≤ R ≤ 10Ω	±200 ppm/°C
	10 MΩ < R ≤ 22 MΩ	±200 ppm/°C
	10 Ω < R ≤ 10 MΩ	±100 ppm/°C
Jumper Criteria	Rated Current	1.0 A
	Maximum Current	2.0 A

**FOOTPRINT AND SOLDERING PROFILES**

For recommended footprint and soldering profiles, please refer to data sheet “Chip resistors mounting”.

**PACKING STYLE AND PACKAGING QUANTITY**

Table 3 Packing style and packaging quantity

PRODUCT TYPE	PACKING STYLE	REEL DIMENSION	QUANTITY PER REEL
RC0603	Paper Taping Reel (R)	7" (178 mm)	5,000 units
		10" (254 mm)	10,000 units
		13" (330 mm)	20,000 units

**NOTE**

1. For paper tape and reel specification/dimensions, please see the special data sheet “Chip resistors packing”.

**FUNCTIONAL DESCRIPTION**

**POWER RATING**

RC0603 rated power at 70°C is 1/10 W

**RATED VOLTAGE**

The DC or AC (rms) continuous working voltage corresponding to the rated power is determined by the following formula:

$$V = \sqrt{P \times R}$$

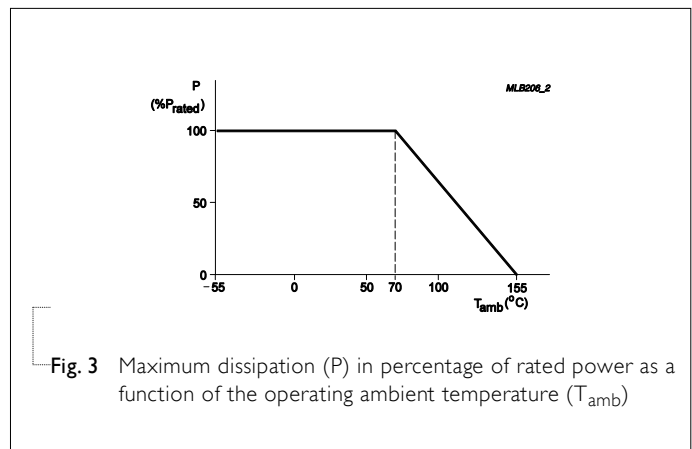
or max. working voltage whichever is less

Where

V=Continuous rated DC or AC (rms) working voltage (V)

P=Rated power (W)

R=Resistance value (Ω)



**TESTS AND REQUIREMENTS**

Table 4 Test condition, procedure and requirements

TEST	TEST METHOD	PROCEDURE	REQUIREMENTS
Temperature Coefficient of Resistance (T.C.R.)	IEC 60115-1 4.8	At +25/-55 °C and +25/+125 °C  <b>Formula:</b> $T.C.R = \frac{R_2 - R_1}{R_1(t_2 - t_1)} \times 10^6 \text{ (ppm/°C)}$  Where t <sub>1</sub> = +25 °C or specified room temperature t <sub>2</sub> = -55 °C or +125 °C test temperature R <sub>1</sub> = resistance at reference temperature in ohms R <sub>2</sub> = resistance at test temperature in ohms	Refer to table 2
Life/Endurance	IEC 60115-1 4.25.1	1,000 hours at 70±5 °C applied RCWV 1.5 hours on, 0.5 hour off, still air required	±(1.0%+0.05 Ω) for 1%, 0.5% tol.  ±(3.0%+0.05 Ω) for 5% tol.  <100 mΩ for Jumper
High Temperature Exposure/Endurance at Upper Category Temperature	IEC 60068-2-2	1,000 hours at 155±5 °C, unpowered	±(1.0%+0.05 Ω) for 1%, 0.5% tol.  ±(2.0%+0.05 Ω) for 5% tol.  <50 mΩ for Jumper
Moisture Resistance	MIL-STD-202G Method-106G	Each temperature / humidity cycle is defined at 8 hours, 3 cycles / 24 hours for 10d. with 25 °C / 65 °C 95% R.H, without steps 7a & 7b, unpowered  Parts mounted on test-boards, without condensation on parts  Measurement at 24±2 hours after test conclusion	±(0.5%+0.05 Ω) for 1%, 0.5% tol.  ±(2.0%+0.05 Ω) for 5% tol.  <100 mΩ for Jumper
Thermal Shock	MIL-STD-202G Method-107G	-55/+125 °C  Number of cycles required is 300. Devices unmounted  Maximum transfer time is 20 seconds. Dwell time is 15 minutes. Air – Air	±(0.5%+0.05 Ω) for 1%, 0.5% tol.  ±(1%+0.05 Ω) for 5% tol.  <50 mΩ for Jumper
Short Time Overload	IEC60115-1 4.13	2.5 times of rated voltage or maximum overload voltage whichever is less for 5 sec at room temperature	±(1.0%+0.05 Ω) for 1%, 0.5% tol.  ±(2.0%+0.05 Ω) for 5% tol.  <50 mΩ for Jumper  No visible damage

TEST	TEST METHOD	PROCEDURE	REQUIREMENTS														
Board Flex/ Bending	IEC 60068-2-21	Chips mounted on a 90mm glass epoxy resin PCB (FR4) 3 mm bending Bending time: 60±5 seconds	±(1.0%+0.05 Ω) <50 mΩ for Jumper No visible damage														
Low Temperature Operation	IEC 60068-2-1	The resistor shall be subjected to a DC rated voltage for 1.5 h-on, 0.5 h-off, at -55±3 °C This constitutes shall be repeated for 96 hours However the applied voltage shall not exceed the maximum operating voltage	±(0.5%+0.05 Ω) for 1%, 0.5% tol. ±(1.0%+0.05 Ω) for 5% tol. No visible damage														
Insulation Resistance	IEC 60115-1 4.6	Rated continuous overload voltage (RCOV) for 1 minute  <u>Type</u> <b>RC0603</b> <u>Voltage (DC)</u> 100 V	≥10 GΩ														
Dielectric Withstand Voltage	IEC 60115-1 4.7	Maximum voltage (V <sub>rms</sub> ) applied for 1 minute  <u>Type</u> <b>RC0603</b> <u>Voltage (AC)</u> 100 V <sub>rms</sub>	No breakdown or flashover														
Resistance to Solvent	IPC/JEDEC J-STD-020D	Isopropylalcohol (C <sub>3</sub> H <sub>7</sub> OH) followed by brushing	No smeared														
Noise	IEC 60115-1 4.12	Maximum voltage (V <sub>rms</sub> ) applied	<table border="1"> <thead> <tr> <th>Resistors range</th> <th>Value</th> </tr> </thead> <tbody> <tr> <td>R &lt; 100 Ω</td> <td>10 dB</td> </tr> <tr> <td>100 Ω ≤ R &lt; 1 KΩ</td> <td>20 dB</td> </tr> <tr> <td>1 KΩ ≤ R &lt; 10 KΩ</td> <td>30 dB</td> </tr> <tr> <td>10 KΩ ≤ R &lt; 100 KΩ</td> <td>40 dB</td> </tr> <tr> <td>100 KΩ ≤ R &lt; 1 MΩ</td> <td>46 dB</td> </tr> <tr> <td>1 MΩ ≤ R ≤ 22 MΩ</td> <td>48 dB</td> </tr> </tbody> </table>	Resistors range	Value	R < 100 Ω	10 dB	100 Ω ≤ R < 1 KΩ	20 dB	1 KΩ ≤ R < 10 KΩ	30 dB	10 KΩ ≤ R < 100 KΩ	40 dB	100 KΩ ≤ R < 1 MΩ	46 dB	1 MΩ ≤ R ≤ 22 MΩ	48 dB
Resistors range	Value																
R < 100 Ω	10 dB																
100 Ω ≤ R < 1 KΩ	20 dB																
1 KΩ ≤ R < 10 KΩ	30 dB																
10 KΩ ≤ R < 100 KΩ	40 dB																
100 KΩ ≤ R < 1 MΩ	46 dB																
1 MΩ ≤ R ≤ 22 MΩ	48 dB																
Humidity	IEC 60115-1 4.21	Steady state for 1000 hours at 40 °C / 95% R.H. RCWV applied for 1.5 hours on and 0.5 hour off	±(1.0%+0.05 Ω) for 1%, 0.5% tol. ±(2.0%+0.05 Ω) for 5% tol. <100 mΩ for Jumper														



TEST	TEST METHOD	PROCEDURE	REQUIREMENTS
Intermittent Overload	IEC 60115-1 4.39	2.5 times of rated voltage or maximum overload voltage whichever is less for 1 second on and 25 seconds off; total 10,000 cycles	$\pm(1.0\%+0.05 \Omega)$ for 1%, 0.5% tol. $\pm(2.0\%+0.05 \Omega)$ for 5% tol. <100 m $\Omega$ for Jumper
Solderability - Wetting	IPC/JEDEC J-STD-002B test B	Electrical Test not required Magnification 50X SMD conditions: 1 <sup>st</sup> step: method B, aging 4 hours at 155 °C dry heat 2 <sup>nd</sup> step: leadfree solder bath at 245±3 °C Dipping time: 3±0.5 seconds	Well tinned (≥95% covered) No visible damage
- Leaching	IPC/JEDEC J-STD-002B test D	Leadfree solder, 260 °C, 30 seconds immersion time	No visible damage
- Resistance to Soldering Heat	IEC 60068-2-58	Condition B, no pre-heat of samples Leadfree solder, 260 °C, 10 seconds immersion time Procedure 2 for SMD: devices fluxed and cleaned with isopropanol	$\pm(0.5\%+0.05 \Omega)$ for 1%, 0.5 tol. $\pm(1.0\%+0.05 \Omega)$ for 5% tol. <50 m $\Omega$ for Jumper No visible damage

REVISION HISTORY

REVISION	DATE	CHANGE NOTIFICATION	DESCRIPTION
Version 7	Aug. 27, 2013		- No marking photos updated
Version 6	Feb. 05, 2013		- Marking updated - MWV/RCOV updated
Version 5	June 29, 2012		- Add 0.5% tolerance for RC0603 - update test method
Version 4	Apr 24, 2009 -		- Test Items and methods updated - Test requirements upgraded
Version 3	Jul 15, 2008 -		- Change to dual brand datasheet that describe RC0603 with RoHS compliant - Description of "Halogen Free Epoxy" added - Define global part number
Version 2	Aug 19, 2004 -		
Version 1	Aug 02, 2004 -		- New datasheet for 0603 thick film 1% and 5% with lead-free terminations - Replace the 0603 part of pdf files: RC01_11_21_31_5, RC02_12_22_32_10, and HRC21_5_4 - Test method and procedure updated

*“ Yageo reserves all the rights for revising the content of this datasheet without further notification, as long as the products itself are unchanged. Any product change will be announced by PCN.”*

# Mouser Electronics

Authorized Distributor

Click to View Pricing, Inventory, Delivery & Lifecycle Information:

## Yageo:

[RC0603FR-07105KL](#) [RC0603FR-07107KL](#) [RC0603FR-0710K2L](#) [RC0603FR-0710K5L](#) [RC0603FR-0710K7L](#)  
[RC0603FR-0710ML](#) [RC0603FR-07110KL](#) [RC0603FR-07113RL](#) [RC0603FR-07118RL](#) [RC0603FR-0711K3L](#)  
[RC0603FR-0711K5L](#) [RC0603FR-0711K8L](#) [RC0603FR-0711KL](#) [RC0603FR-07120RL](#) [RC0603FR-07121RL](#)  
[RC0603FR-07127KL](#) [RC0603FR-07127RL](#) [RC0603FR-0712K7L](#) [RC0603FR-0712KL](#) [RC0603FR-0712R1L](#)  
[RC0603FR-0712R7L](#) [RC0603FR-0712RL](#) [RC0603FR-07130RL](#) [RC0603FR-07133KL](#) [RC0603FR-07133RL](#)  
[RC0603FR-07137KL](#) [RC0603FR-07137RL](#) [RC0603FR-0713K3L](#) [RC0603FR-0713K7L](#) [RC0603FR-07140RL](#)  
[RC0603FR-07147KL](#) [RC0603FR-07147RL](#) [RC0603FR-0714K3L](#) [RC0603FR-07150KL](#) [RC0603FR-07154KL](#)  
[RC0603FR-07158KL](#) [RC0603FR-0715K4L](#) [RC0603FR-0715KL](#) [RC0603FR-0715R4L](#) [RC0603FR-0715RL](#)  
[RC0603FR-07160RL](#) [RC0603FR-07165RL](#) [RC0603FR-07169RL](#) [RC0603FR-0716K5L](#) [RC0603FR-0716K9L](#)  
[RC0603FR-07174RL](#) [RC0603FR-07178KL](#) [RC0603FR-07178RL](#) [RC0603FR-0717K4L](#) [RC0603FR-0717R8L](#)  
[RC0603FR-07180RL](#) [RC0603FR-07182KL](#) [RC0603FR-07182RL](#) [RC0603FR-07187RL](#) [RC0603FR-0718K2L](#)  
[RC0603FR-0718K7L](#) [RC0603FR-0718KL](#) [RC0603FR-0718R2L](#) [RC0603FR-0718RL](#) [RC0603FR-0719K6L](#)  
[RC0603FR-071K07L](#) [RC0603FR-071K18L](#) [RC0603FR-071K27L](#) [RC0603FR-071K2L](#) [RC0603FR-071K33L](#)  
[RC0603FR-071K37L](#) [RC0603FR-071K3L](#) [RC0603FR-071K43L](#) [RC0603FR-071K47L](#) [RC0603FR-071K54L](#)  
[RC0603FR-071K58L](#) [RC0603FR-071K5L](#) [RC0603FR-071K65L](#) [RC0603FR-071K6L](#) [RC0603FR-071K8L](#) [RC0603FR-](#)  
[071KL](#) [RC0603FR-071M21L](#) [RC0603FR-071M4L](#) [RC0603FR-071M5L](#) [RC0603FR-071M82L](#) [RC0603FR-071ML](#)  
[RC0603FR-071R3L](#) [RC0603FR-071RL](#) [RC0603FR-0720K5L](#) [RC0603FR-0720KL](#) [RC0603FR-0720RL](#) [RC0603FR-](#)  
[07215KL](#) [RC0603FR-0721KL](#) [RC0603FR-0721R5L](#) [RC0603FR-07221KL](#) [RC0603FR-07221RL](#) [RC0603FR-0722K1L](#)  
[RC0603FR-0722K6L](#) [RC0603FR-0722KL](#) [RC0603FR-0722R1L](#) [RC0603FR-0722R6L](#) [RC0603FR-0722RL](#)  
[RC0603FR-07237RL](#) [RC0603FR-0723K2L](#) [RC0603FR-0723K7L](#)