

阅读申明

- 1.本站收集的数据手册和产品资料都来自互联网，版权归原作者所有。如读者和版权方有任何异议请及时告之，我们将妥善解决。
- 2.本站提供的中文数据手册是英文数据手册的中文翻译，其目的是协助用户阅读，该译文无法自动跟随原稿更新，同时也可能存在翻译上的不当。建议读者以英文原稿为参考以便获得更精准的信息。
- 3.本站提供的产品资料，来自厂商的技术支持或者使用者的心得体会等，其内容可能存在描述上的差异，建议读者做出适当判断。
- 4.如需与我们联系，请发邮件到marketing@iczoom.com，主题请标有“数据手册”字样。

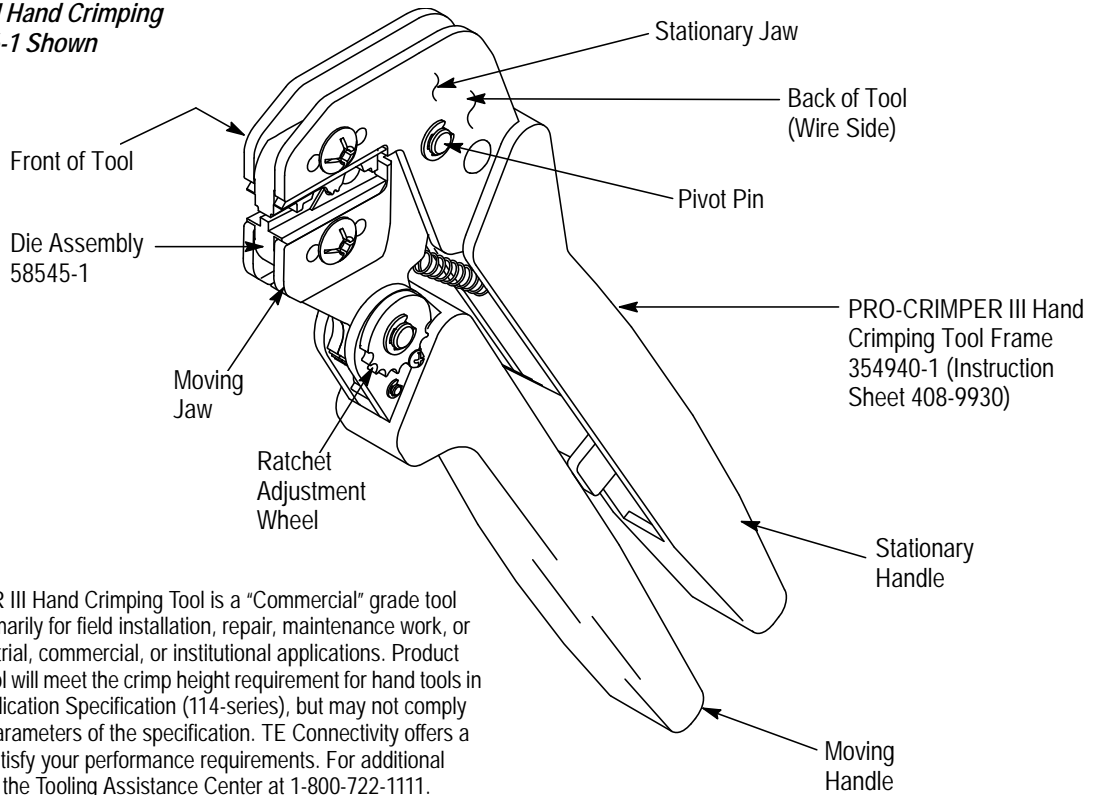
Read Statement

1. The datasheets and other product information on the site are all from network reference or other public materials, and the copyright belongs to the original author and original published source. If readers and copyright owners have any objections, please contact us and we will deal with it in a timely manner.
2. The Chinese datasheets provided on the website is a Chinese translation of the English datasheets. Its purpose is for reader's learning exchange only and do not involve commercial purposes. The translation cannot be automatically updated with the original manuscript, and there may also be improper translations. Readers are advised to use the English manuscript as a reference for more accurate information.
3. All product information provided on the website refer to solutions from manufacturers' technical support or users the contents may have differences in description, and readers are advised to take the original article as the standard.
4. If you have any questions, please contact us at marketing@iczoom.com and mark the subject with "Datasheets" .

PROPER USE GUIDELINES

Cumulative Trauma Disorders can result from the prolonged use of manually powered hand tools. Hand tools are intended for occasional use and low volume applications. A wide selection of powered application equipment for extended-use, production operations is available.

*PRO-CRIMPER III Hand Crimping
Tool 58546-1 Shown*



The PRO-CRIMPER III Hand Crimping Tool is a "Commercial" grade tool and is designed primarily for field installation, repair, maintenance work, or prototyping in industrial, commercial, or institutional applications. Product crimped with this tool will meet the crimp height requirement for hand tools in the appropriate Application Specification (114-series), but may not comply with other feature parameters of the specification. TE Connectivity offers a variety of tools to satisfy your performance requirements. For additional information, contact the Tooling Assistance Center at 1-800-722-1111.

DIE ASSEMBLY*	PRODUCT FAMILY† (SOLISTRAND*)	WIRE	
		SIZE (AWG)	STRIP LENGTH (mm [in.])
58545-1 58545-3 58545-4	Terminal (Standard)	22-14	4.37-5.16 [.172-.203]
	Terminal (Standard) and Butt Splice	12-10	6.35-7.14 [.250-.281]
	Terminal (Long Barrel) or Butt Splice	22-14	6.35-7.14 [.250-.281]
	Terminal Parallel Splice	22-14	7.94-8.73 [.312-.344]

†Contact the Tooling Assistance Center or Product Information (at the number listed below) for specific terminal and splice part numbers.

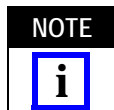
*See page 6 for die assembly cross reference.

Figure 1

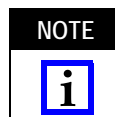
1. INTRODUCTION

Die Assembly 58545-[] and PRO-CRIMPER III Hand Tool 58546-1 are used to crimp SOLISTRAND Terminals and Splices onto the wire size listed in Figure 1. PRO-CRIMPER III Hand Tool Assembly consists of Hand Tool Frame 354940-1 and Die Assembly 58545-1.

Read these instructions thoroughly before using the tool assembly.



Specific part numbers for die set 58545-[] may be used with other optional crimp tooling. Refer to Figure 7 for specific relationships.



Dimensions in this instruction sheet are in metric units [with U.S. customary units in brackets]. Figures and illustrations are for reference only and are not drawn to scale.

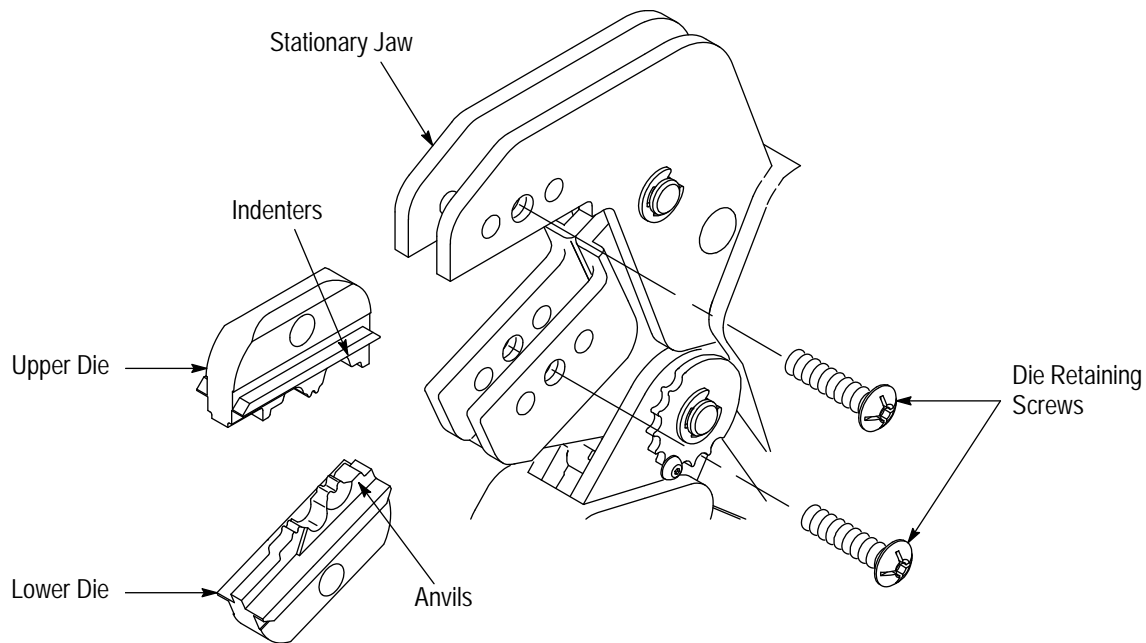


Figure 2

This document supersedes Instruction Sheet 408-4047.

Reasons for reissue of this instruction sheet are provided in Section 8, REVISION SUMMARY.

2. DESCRIPTION (See Figures 1 and 2)

The tool consists of a stationary jaw and handle, a moving jaw and handle, and an adjustable ratchet that ensures full crimping.

The tool frame holds a die assembly with three crimping chambers. The die assembly features an upper die and a lower die. Die retaining screws are used to position and secure the dies in the tool frame.

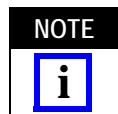
3. DIE ASSEMBLY INSTALLATION AND REMOVAL

1. Open the tool handles and remove the two die retaining screws from the tool jaws.
2. Place the upper die in the stationary jaw of the tool frame so that the largest indenter is facing inward. See Figure 2.
3. Insert the die retaining screw through the stationary jaw and through the die. Tighten the screw just enough to hold the die in place. Do not tighten the screw completely at this time.
4. Place the lower die in the moving jaw of the tool frame so that the largest anvil is facing inward. See Figure 2.
5. Insert the die retaining screw through the moving jaw and through the die. Tighten the screw just enough to hold the die in place. Do not tighten the screw completely at this time.

6. Carefully close the tool handles, making sure that the anvils and indenters align properly. Continue closing the tool handles until the ratchet has engaged sufficiently to hold the dies in place, then tighten both die retaining screws.

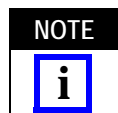
7. To disassemble, open the tool handles until the ratchet releases, remove the two die retaining screws, and slide the dies out of the tool jaws.

4. CRIMPING PROCEDURE



Before using the tool, the crimping chambers and tool ratchet should be inspected as specified in Section 5, CRIMP HEIGHT INSPECTION, and Section 6, RATCHET (Shut Height) ADJUSTMENT.

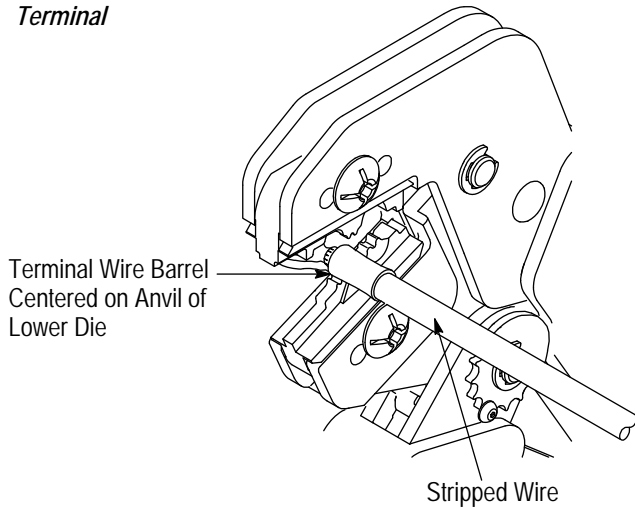
Refer to Figure 1 and select wire of the specified size and insulation diameter. Strip the wire to the length indicated, taking care not to nick or cut wire strands. Select an applicable terminal or splice and identify the appropriate crimping chamber according to the wire size markings on the dies. Refer to Figure 3 and proceed as follows:



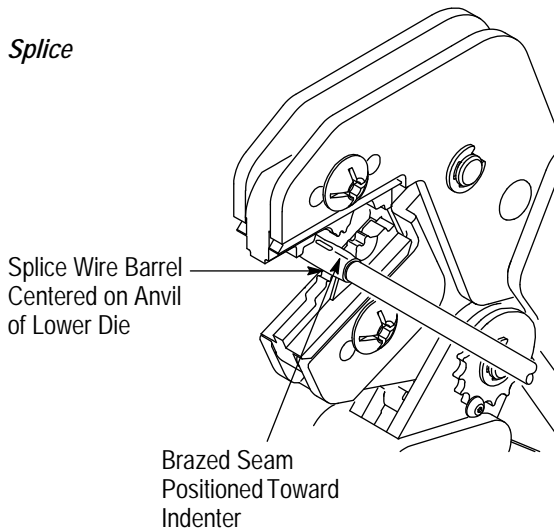
The crimping chamber marked "12-10" cannot be used to crimp spade-type terminals.

1. Hold tool so that the back (wire side) is facing you. Squeeze tool handles together until the ratchet releases, then allow them to open fully.
2. Center the terminal or splice wire barrel on the anvil of the upper die as shown in Figure 3. If visible, be sure to place the brazed seam on the terminal or splice toward the indenter.

Terminal



Splice



Parallel Splice

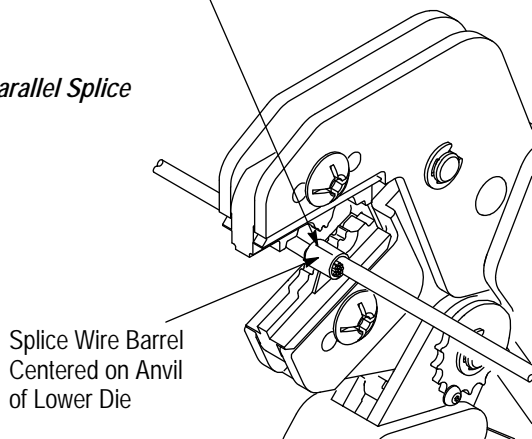


Figure 3

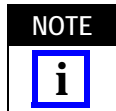
3. Hold the wire barrel in place and squeeze the tool handles together until ratchet engages sufficiently to

hold the terminal or splice in position. Do NOT deform the insulation barrel or wire barrel.

4. Insert stripped wire into the wire barrel, making sure that the insulation does not enter the wire barrel. See Figure 3.

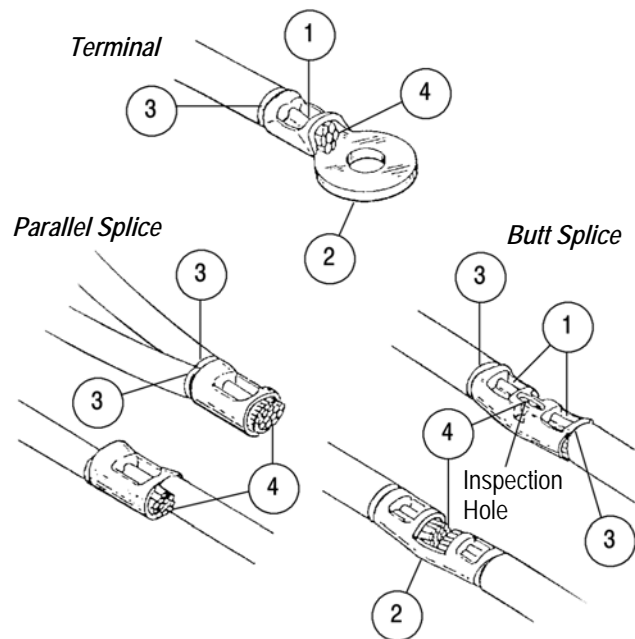
5. To crimp the other half of a splice, reposition the uncrimped wire barrel in the crimping chamber, and repeat the crimping procedure.

6. To crimp the other half of a splice, reposition the uncrimped wire barrel in the crimping chamber, and repeat the crimping procedure.



If splice cannot be turned for crimping the other half, turn the tool around.

7. Inspect the crimped terminal or splice according to Figure 4. Check the crimp height as described in Section 5. If necessary, adjust the ratchet (shut height) as described in Section 6.



- 1 Crimp is centered on wire barrel. It is acceptable for crimp to be slightly off center, but NOT OFF THE END of the wire barrel.
- 2 Wire size being used matches wire size range stamped on terminal or splice and dies.
- 3 Wire insulation does not enter wire barrel.
- 4 Wire is flush with or extends slightly beyond end of wire barrel. Wire is visible through inspection hole of splices.

Figure 4



Damaged terminals and splices may not be used. If a damaged terminal or splice is evident, it must be replaced with a new one.

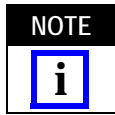
5. CRIMP HEIGHT INSPECTION

This inspection requires the use of plug gages conforming to the dimensions provided in Figure 5. TE does not manufacture or market these gages.

To gage the crimping chamber, proceed as follows:

1. Remove traces of oil or dirt from the crimping chamber and plug gage.
2. Close the tool handles until the dies have bottomed. Do NOT force dies beyond initial contact.

3. Align the GO element with the crimping chamber. Push element straight into the crimping chamber without using force.



The GO element must pass completely through the crimping chamber. See Figure 5.

4. Align the NO-GO element and try to insert it straight into the same crimping chamber. The NO-GO element may start entry, but must not pass completely through the crimping chamber. See Figure 5.

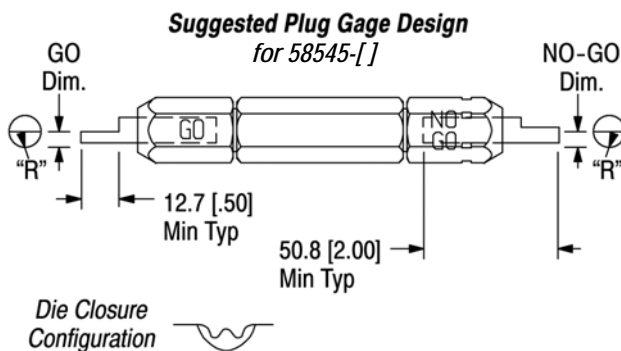
If the crimping chamber conforms to the gage inspection, the tool is considered dimensionally correct, and should be lubricated with a THIN coat of any good SAE 20 motor oil. If not, the tool must be returned to TE for further evaluation and repair. Refer to Section 8, REPLACEMENT.

For additional information regarding the use of a plug gage, refer to Instruction Sheet 408-7424.

6. RATCHET (SHUT HEIGHT) ADJUSTMENT (Figure 6)

The frame assembly ratchet mechanism features an adjustment wheel with numbered settings. If the dies do not bottom, adjust the ratchet as follows:

1. Remove the lock screw from the ratchet adjustment wheel.
2. With a screwdriver, adjust the ratchet wheel from the opposite side of the frame.
3. Observe the ratchet adjustment wheel. If the dies do not bottom, rotate the adjustment wheel COUNTERCLOCKWISE to a higher-numbered setting.
4. Replace the lock screw.



CRIMPING CHAMBER (Die Marking)	GAGE ELEMENT DIMENSIONS		
	GO	NO-GO	"R" (RADIUS)
22-16	1.143-1.151 [.0450-.0453]	1.344-1.346 [.0529-.0530]	1.57 [.062]
16-14	1.346-1.354 [.0530-.0533]	1.547-1.549 [.0609-.0610]	1.98 [.078]
12-10	1.905-1.913 [.0750-.0753]	2.106-1.108 [.0829-.0830]	2.77 [.109]

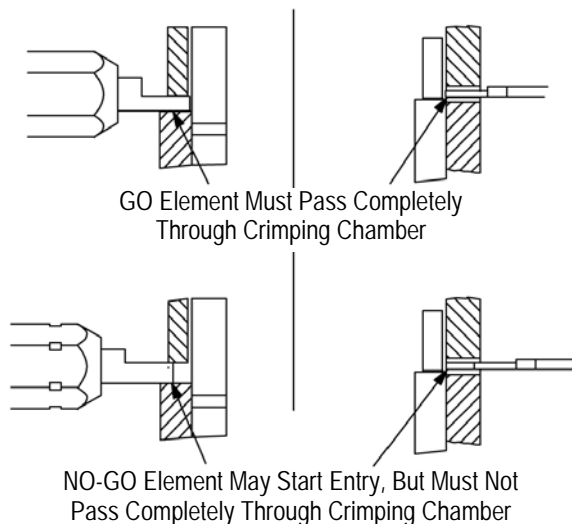


Figure 5

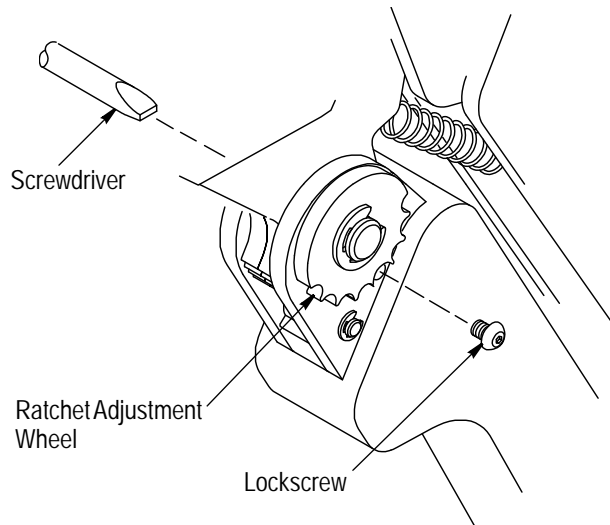


Figure 6

7. MAINTENANCE AND INSPECTION

7.1. Maintenance

Ensure that the tool and dies are clean by wiping them with a clean, soft cloth. Remove any debris with a clean, soft brush. Do not use objects that could damage the tool. When not in use, keep handles closed to prevent objects from becoming lodged in the crimping dies, and store in a clean, dry area.

7.2. Visual Inspection

The die assembly should be inspected on a regular basis to ensure that they have not become worn or damaged. Inspect the crimping chambers for flattened, chipped, worn, or broken areas. If damage or abnormal wear is evident, the tool or dies must be replaced. See Section 8, REPLACEMENT.

8. REPLACEMENT

Customer-replaceable parts are shown in Figure 1.

Available separately, PRO-CRIMPER III Hand Crimping Tool Repair Kit 679221-1 includes a

replacement nut and a variety of pins, rings, screws, and springs.

If the dies are damaged or worn excessively, they must be replaced.

Order the repair kit and replaceable parts through your TE Representative, or call 1-800-526-5142, or send a facsimile of your purchase order to 717-986-7605, or write to:

CUSTOMER SERVICE (038-035)
TYCO ELECTRONICS CORPORATION
PO BOX 3608
HARRISBURG PA 17105-3608

For tool repair service, please contact a TE Representative at 1-800-526-5136.

9. REVISION SUMMARY

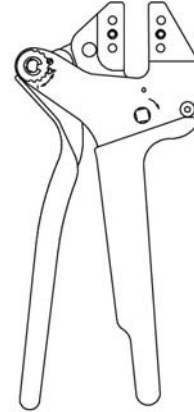
- Updated document to corporate requirements
- Added clarifying note to table in Figure 1

Tooling Compatible with Die Assembly 58545-[]

**Die Assembly 58545-1 for PRO-CRIMPER III
Hand Tool Frame 354940-1
(Instruction Sheet 408-9930)**



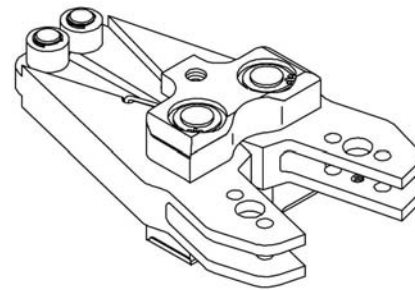
**Die Assembly 58545-1 for SDE-SA
Hand Tool 9-1478240-0
(Instruction Sheet 408-8851)**



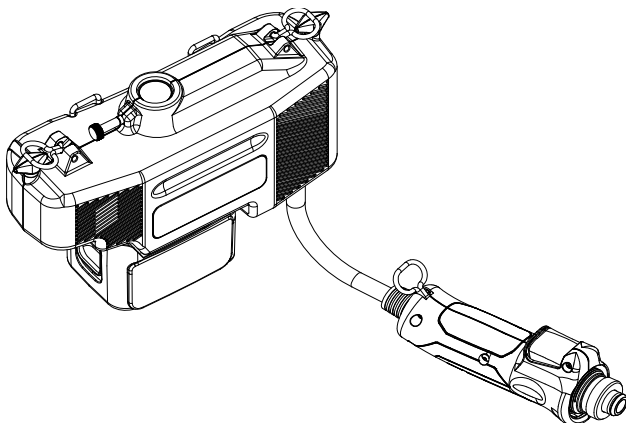
**Die Assembly 58545-3 for SDE Bench
Terminator 1490076-2
(Customer Manual 409-10052)**



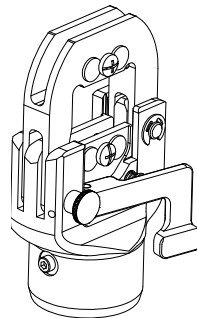
**Die Assembly 58545-4 for 626
Adapter 679304-1
(Instruction Sheet 408-4070)**



**Die Assembly 58545-3 for Electro-Hydraulic (BT
3500 Battery-Hydraulic) Hand Tool Kits 2031400-[]
(Customer Manual 409-10095)**



**Closed Head Assembly 2031460-1
(Instruction Sheet 408-10312)**



**"C"-Head Assembly 2031450-1
(Instruction Sheet 408-10311)**

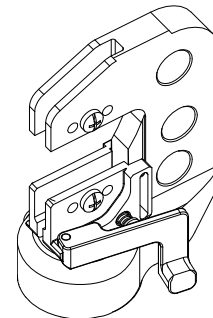


Figure 7