

## 阅读申明

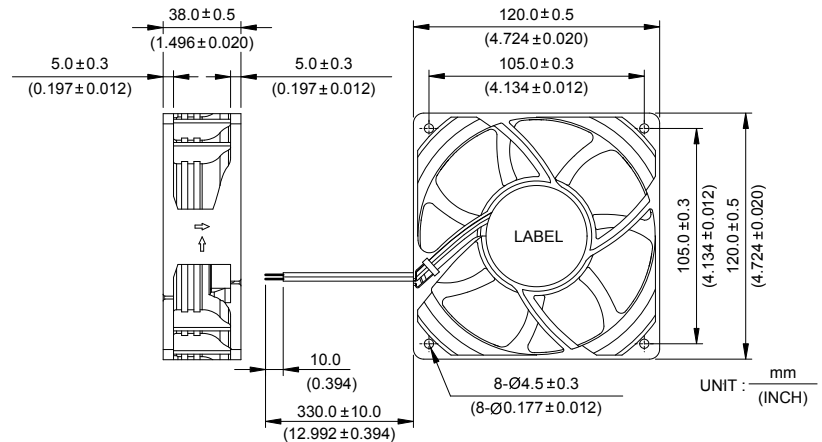
- 1.本站收集的数据手册和产品资料都来自互联网，版权归原作者所有。如读者和版权方有任何异议请及时告之，我们将妥善解决。
- 2.本站提供的中文数据手册是英文数据手册的中文翻译，其目的是协助用户阅读，该译文无法自动跟随原稿更新，同时也可能存在翻译上的不当。建议读者以英文原稿为参考以便获得更精准的信息。
- 3.本站提供的产品资料，来自厂商的技术支持或者使用者的心得体会等，其内容可能存在描述上的差异，建议读者做出适当判断。
- 4.如需与我们联系，请发邮件到marketing@iczoom.com，主题请标有“数据手册”字样。

## Read Statement

1. The datasheets and other product information on the site are all from network reference or other public materials, and the copyright belongs to the original author and original published source. If readers and copyright owners have any objections, please contact us and we will deal with it in a timely manner.
2. The Chinese datasheets provided on the website is a Chinese translation of the English datasheets. Its purpose is for reader's learning exchange only and do not involve commercial purposes. The translation cannot be automatically updated with the original manuscript, and there may also be improper translations. Readers are advised to use the English manuscript as a reference for more accurate information.
3. All product information provided on the website refer to solutions from manufacturers' technical support or users the contents may have differences in description, and readers are advised to take the original article as the standard.
4. If you have any questions, please contact us at marketing@iczoom.com and mark the subject with "Datasheets" .

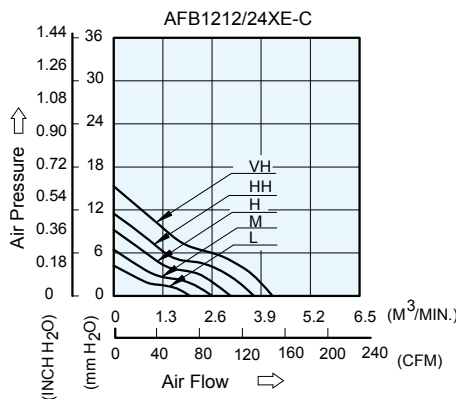
# AFB 120 x 120 x 38 MM SERIES

## DIMENSIONS DRAWING

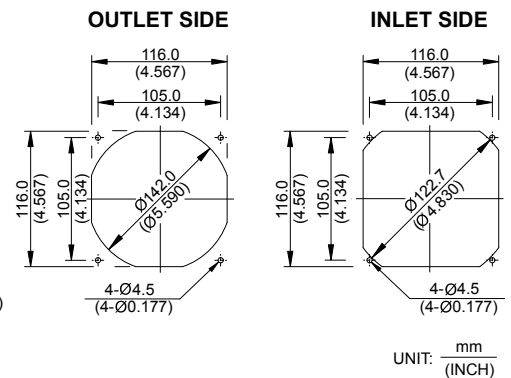


- \* Bearing Type  
Ball Bearings
- \* Material  
Impeller & Frame : Plastic (UL 94V-0)
- \* Lead Wires :  
UL 1007 AWG #24 OR Equivalent  
Red Wire Positive (+)  
Black Wire Negative (-)
- \* Weight : 320g (11.28 oz)

## P & Q CURVE (AT RATED VOLTAGE)



## MOUNTING PANEL CUTOUT

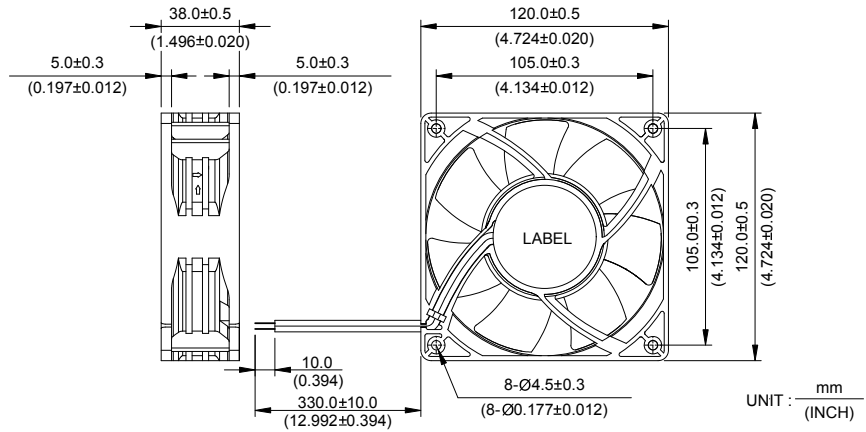


MODEL			Rated Voltage	Operating Voltage Range	Input Current	Input Power	Speed	Maximum Air Flow		Maximum Air Pressure		Noise
PART NO.	REV.	FUNCTION	VDC	VDC	Amp	Watt	R.P.M.	m <sup>3</sup> /min	CFM	mmH <sub>2</sub> O	IN H <sub>2</sub> O	dB-A
AFB1212LE	-C	-R00 / -F00	12	6.0 to 12.8	0.14	1.68	2000	2.018	71.27	4.22	0.166	32.5
AFB1224LE	-C	-R00 / -F00	24	14.0 to 27.6	0.11	2.64						
AFB1212ME	-C	-R00 / -F00	12	6.0 to 12.8	0.27	3.24	2500	2.604	91.95	6.45	0.254	38.0
AFB1224ME	-C	-R00 / -F00	24	14.0 to 27.6	0.14	3.36						
AFB1212HE	-C	-R00 / -F00	12	6.0 to 12.8	0.35	4.20	3000	3.092	109.17	9.22	0.363	44.0
AFB1224HE	-C	-R00 / -F00	24	14.0 to 27.6	0.20	4.80						
AFB1212HHE	-C	-R00 / -F00	12	6.0 to 12.8	0.51	6.12	3500	3.704	130.80	11.48	0.452	47.0
AFB1224HHE	-C	-R00 / -F00	24	14.0 to 27.6	0.27	6.48						
AFB1212VHE	-C	-R00 / -F00	12	6.0 to 12.8	0.68	8.16	4000	4.201	148.34	15.29	0.602	51.0
AFB1224VHE	-C	-R00 / -F00	24	14.0 to 27.6	0.36	8.64						

\* Function type is optional.  
 \* The max. air flow and the speed are measured in free air ; max. air pressure is measured at zero air flow.  
 \* Noise is measured in anechoic chamber in free air, one meter from intake side.  
 \* All readings are typical values at rated voltage.  
 \* Specifications are subject to change without notice.

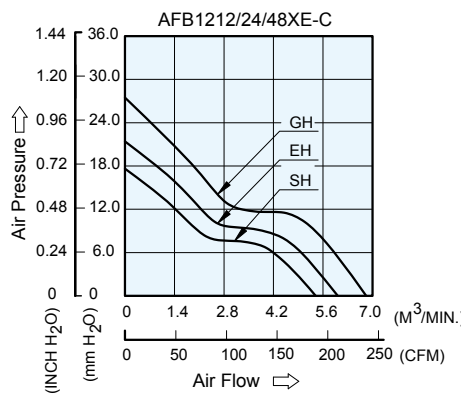
# AFB 120 x 120 x 38 MM SERIES

## DIMENSIONS DRAWING

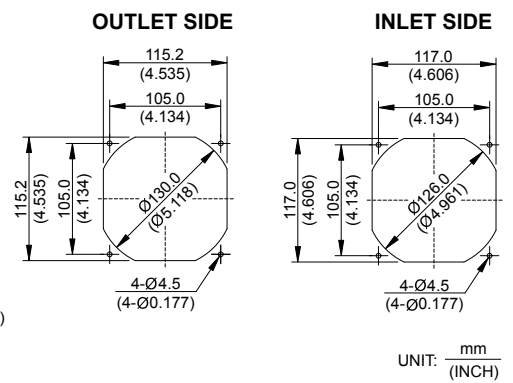


- \* Bearing Type  
Ball Bearings
- \* Material  
Impeller & Frame : Plastic (UL 94V-0)
- \* Lead Wires :  
UL 1007 AWG #24 OR Equivalent  
Red Wire Positive (+)  
Black Wire Negative (-)
- \* Weight : 330g (11.64 oz)

## P & Q CURVE (AT RATED VOLTAGE)



## MOUNTING PANEL CUTOUT



MODEL			Rated Voltage	Operating Voltage Range	Input Current	Input Power	Speed	Maximum Air Flow		Maximum Air Pressure		Noise
PART NO.	REV.	FUNCTION	VDC	VDC	Amp	Watt	R.P.M.	m <sup>3</sup> /min	CFM	mmH <sub>2</sub> O	IN H <sub>2</sub> O	dB-A
AFB1212SHE	-C	-R00 / -F00	12	6.0 to 13.8	1.25	15.00	4100	5.394	190.48	17.64	0.694	55.5
AFB1224SHE	-C	-R00 / -F00	24	14.0 to 28.0	0.62	14.88						
AFB1248SHE	-C	-R00 / -F00	48	24.0 to 56.0	0.31	14.88						
AFB1212EHE	-C	-R00 / -F00	12	6.0 to 13.8	1.80	21.60	4600	6.019	212.57	21.43	0.844	58.5
AFB1224EHE	-C	-R00 / -F00	24	14.0 to 28.0	0.85	20.40						
AFB1248EHE	-C	-R00 / -F00	48	24.0 to 56.0	0.48	23.04						
AFB1212GHE	-C	-R00 / -F00	12	6.0 to 12.8	2.45	29.40	5200	6.823	240.96	27.48	1.082	62.0
AFB1224GHE	-C	-R00 / -F00	24	14.0 to 28.0	1.15	27.60						
AFB1248GHE	-C	-R00 / -F00	48	24.0 to 53.0	0.60	28.80						

\* Function type is optional.  
 \* The max. air flow and the speed are measured in free air ; max. air pressure is measured at zero air flow.  
 \* Noise is measured in anechoic chamber in free air, one meter from intake side.  
 \* All readings are typical values at rated voltage.  
 \* Specifications are subject to change without notice.

# Mouser Electronics

Authorized Distributor

Click to View Pricing, Inventory, Delivery & Lifecycle Information:

## Delta Electronics:

[AFB1212VHE](#) [AFB1248SHE-TC50](#) [AFB1212VHE-R00](#) [AFB1212SHE-R00](#) [AFB1212SHE-F00](#) [AFB1224ME](#)  
[AFB1224HE](#) [AFB1224VHE-TC5F](#) [AFB1224EHE-CR00](#) [AFB1212GHE-CF00](#) [AFB1224ME-CR00](#) [AFB1212HHE](#)  
[AFB1224HHE-CR00](#) [AFB1212LE-C](#) [AFB1224EHE-C](#) [AFB1212ME-C](#) [AFB1224VHE-CF00](#) [AFB1212HHE-C](#)  
[AFB1212LE-CR00](#) [AFB1212VHE-C](#) [AFB1224ME-CF00](#) [AFB1224HHE-C](#) [AFB1248EHE-CR00](#) [AFB1212EHE-C](#)  
[AFB1212LE-CF00](#) [AFB1212EHE-CR00](#) [AFB1224HE-CF00](#) [AFB1224EHE-CF00](#) [AFB1212GHE-C](#) [AFB1212EHE-](#)  
[CF00](#) [AFB1248GHE-C](#) [AFB1212HHE-CF00](#) [AFB1248SHE-C](#) [AFB1212ME-CR00](#) [AFB1212SHE-C](#) [AFB1224LE-C](#)  
[AFB1224HHE-CF00](#) [AFB1224SHE-C](#) [AFB1224VHE](#) [AFB1224SHE-T50F](#) [AFB1248SHE-CF00](#) [AFB1224HE-CR00](#)  
[AFB1212HE-CR00](#) [AFB1212GHE-CR00](#) [AFB1248GHE-CR00](#) [AFB1224HHE-T500](#) [AFB1212VHE-T500](#)  
[AFB1212VHE-CF00](#) [AFB1224HHE-F00](#) [AFB1224LE](#) [AFB1212VHE-T50F](#) [AFB1212SHE](#) [AFB1224HHE](#)  
[AFB1224SHE-F00](#) [AFB1212VHE-F00](#) [AFB1224VHE-R00](#) [AFB1224VHE-CR00](#) [AFB1224ME-C](#) [AFB1224SHE](#)  
[AFB1212SHE-CR00](#) [AFB1224HE-C](#) [AFB1212LE](#) [AFB1248EHE-C](#) [AFB1212ME](#) [AFB1224VHE-C](#) [AFB1248EHE-](#)  
[CF00](#) [AFB1212ME-CF00](#) [AFB1224LE-CR00](#) [AFB1212HE-R00](#) [AFB1212HE-C](#) [AFB1212SHE-CF00](#) [AFB1224SHE-](#)  
[CR00](#) [AFB1248SHE-CR00](#) [AFB1212HHE-F00](#) [AFB1212HE-F00](#) [AFB1212HE-CF00](#) [AFB1212VHE-CR00](#)  
[AFB1224HE-R00](#) [AFB1212HHE-CR00](#) [AFB1248GHE-CF00](#) [AFB1224HE-F00](#) [AFB1212HHE-TP02](#) [AFB1212HE](#)  
[AFB1224SHE-CF00](#) [AFB1224LE-CF00](#) [AFB1224EHE-EP](#) [AFB0612H-EP](#) [AFB1224SHE-R00](#)