

阅读申明

- 1.本站收集的数据手册和产品资料都来自互联网，版权归原作者所有。如读者和版权方有任何异议请及时告之，我们将妥善解决。
- 2.本站提供的中文数据手册是英文数据手册的中文翻译，其目的是协助用户阅读，该译文无法自动跟随原稿更新，同时也可能存在翻译上的不当。建议读者以英文原稿为参考以便获得更精准的信息。
- 3.本站提供的产品资料，来自厂商的技术支持或者使用者的心得体会等，其内容可能存在描述上的差异，建议读者做出适当判断。
- 4.如需与我们联系，请发邮件到marketing@iczoom.com，主题请标有“数据手册”字样。

Read Statement

1. The datasheets and other product information on the site are all from network reference or other public materials, and the copyright belongs to the original author and original published source. If readers and copyright owners have any objections, please contact us and we will deal with it in a timely manner.
2. The Chinese datasheets provided on the website is a Chinese translation of the English datasheets. Its purpose is for reader's learning exchange only and do not involve commercial purposes. The translation cannot be automatically updated with the original manuscript, and there may also be improper translations. Readers are advised to use the English manuscript as a reference for more accurate information.
3. All product information provided on the website refer to solutions from manufacturers' technical support or users the contents may have differences in description, and readers are advised to take the original article as the standard.
4. If you have any questions, please contact us at marketing@iczoom.com and mark the subject with "Datasheets" .

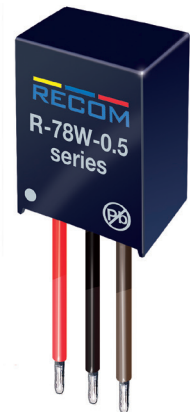
Features

Switching Regulator

- Efficiency up to 96%, no need for heatsinks!
- Build-in Diode Protection Circuit
- Low Profile (LxWxH= 11.5 x 8.5 x 17.5mm)
- Continuous Short Circuit Protection
- RoHS compliant
- IEC/EN-60950 Certified

R-78W-0.5

0.5 AMP
SIP3
Single Output



IEC-60950-1 Certified
EN-60950-1 Certified

Description

The R-78W series offers wired 0.5A switching regulators which are ideally suited to offer a stable voltage supply without the need for a PCB for applications like high power LED lighting, battery powered systems, cooling systems, or fans. Due to the high efficiencies of up to 96% there is no need for a heat sink. The compact modules feature fully protected outputs and draw only 1mA under no load conditions.

Selection Guide

Part Number	Input Voltage Range (VDC)	Output Voltage (VDC)	Output Current (mA)	Efficiency @ min. Vin (%)	Max. Capacitive Load ⁽¹⁾ (µF)
R-78W3.3-0.5	6.5 - 32	3.3	500	88	220
R-78W5.0-0.5	6.5 - 32	5.0	500	93	220
R-78W9.0-0.5	11 - 32	9.0	500	95	220
R-78W12-0.5	15 - 32	12.0	500	96	220

Notes:

Note1: 6800µF with <1sec start-up time

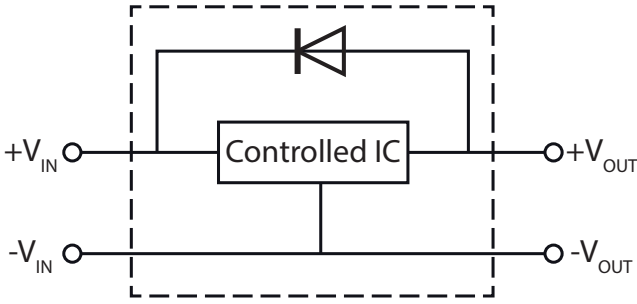
Specifications (measured at TA= 25°C, full load, nominal input voltage and after warm-up)

BASIC CHARACTERISTICS				
Parameter	Condition	Min.	Typ.	Max.
Input Voltage Range		6.5VDC	24VDC	32VDC
Output Current ⁽²⁾		6mA		500mA
Quiescent Current	0% Load		5mA	7mA
Internal Operating Frequency		280kHz	330kHz	380kHz
Efficiency		see Selection Guide		
Internal Power Dissipation				0.4W
Output Ripple and Noise	20MHz BW limited		50mVp-p	75mVp-p

Notes:
Note2: Operation under no load will not damage the device, however they may not meet all specifications. A minimum load of 6mA is recommended.

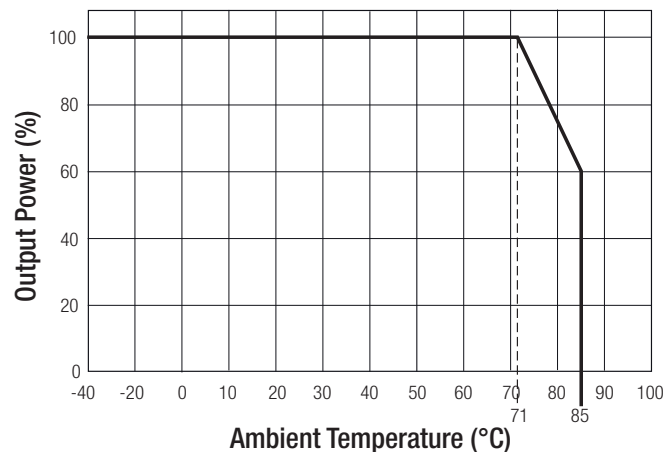
REGULATIONS			
Parameter	Condition	Type	Value
Output Accuracy		all models	±2% typ. / ±3% max.
Line Voltage Regulation	low line to high line, full load	3.3V, 5V 9V, 12V	±0.2% typ. / ±0.4% max. ±0.1% typ. / ±0.2% max.
Load Voltage Regulation	10% to 100% load	3.3V, 5V 9V, 12V	±0.4% typ. / ±0.6% max. ±0.25% typ. / ±0.4% max.
Transient Response	50% - 100% Load, ΔIo/Δt 25mA/µs 10% - 100% Load, ΔIo/Δt 25mA/µs	all models	±75mV typ. ±100mV max.

Specifications (measured at $T_A = 25^\circ\text{C}$, full load, nominal input voltage and after warm-up)

PROTECTIONS		
Parameter	Type	Value
Short Circuit Protection (SCP)		continuous, automatic recovery
Reverse Current Protection:		
 <p>An internal blocking diode can prevent reverse current flow backwards into the output, as this can damage the converter when it is powered down.</p>		

ENVIRONMENTAL		
Parameter	Condition	Value
Operating Temperature Range	with derating	-40°C to $+85^\circ\text{C}$
Maximum Case Temperature		$+100^\circ\text{C}$
Temperature Coefficient	-40°C to $+85^\circ\text{C}$ ambient	$0.015\%/^\circ\text{C}$
Thermal Impedance	surface of case	$70^\circ\text{C}/\text{W}$ typ.
Humidity	non-condensing	95%, RH max.
MTBF		9368×10^3 hours

Derating Graph



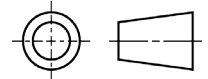
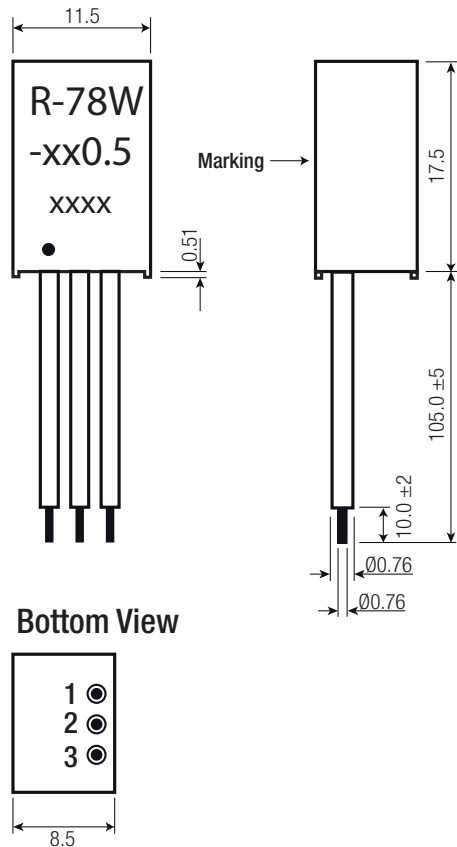
SAFETY AND CERTIFICATIONS		
Certificate Type	Report / File Number	Standard
Information Technology Equipment General Requirements for Safety	LVD1407030-1	IEC-60950-1, 2nd Edition, 2009
		EN-60950-1, 2nd Edition, 2011

Specifications (measured at $T_A = 25^\circ\text{C}$, full load, nominal input voltage and after warm-up)

DIMENSION and PHYSICAL CHARACTERISTICS

Parameter	Type	Value
Material	case potting	non-conductive black plastic (UL94-V0) epoxy (UL94-V0)
Package Dimension (LxWxH)		17.5 x 11.5 x 8.5mm
Package Weight		4.8g typ.

Dimension Drawing (mm)



Wired Connections

Wired Color	Type	Wire Composition	Function
1, red	UL-1430, AWG22	41/0.16	+Vin
2, black	UL-1430, AWG22	41/0.16	GND
3, brown	UL-1430, AWG22	41/0.16	+Vout

Tolerance: xx.x= ± 0.5 mm
xx.xx= ± 0.35 mm

PACKAGING INFORMATION

Parameter	Type	Value
Packaging Dimension (LxWxH)	cardboard box	140.0 x 130.0 x 65.0mm
Packaging Quantity ⁽³⁾		25pcs.
Storage Temperature Range		-55°C to +125°C

Notes:

Note3: 5 bubble packs each containing 5pcs in a cardboard box.