

阅读申明

- 1.本站收集的数据手册和产品资料都来自互联网，版权归原作者所有。如读者和版权方有任何异议请及时告之，我们将妥善解决。
- 2.本站提供的中文数据手册是英文数据手册的中文翻译，其目的是协助用户阅读，该译文无法自动跟随原稿更新，同时也可能存在翻译上的不当。建议读者以英文原稿为参考以便获得更精准的信息。
- 3.本站提供的产品资料，来自厂商的技术支持或者使用者的心得体会等，其内容可能存在描述上的差异，建议读者做出适当判断。
- 4.如需与我们联系，请发邮件到marketing@iczoom.com，主题请标有“数据手册”字样。

Read Statement

1. The datasheets and other product information on the site are all from network reference or other public materials, and the copyright belongs to the original author and original published source. If readers and copyright owners have any objections, please contact us and we will deal with it in a timely manner.
2. The Chinese datasheets provided on the website is a Chinese translation of the English datasheets. Its purpose is for reader's learning exchange only and do not involve commercial purposes. The translation cannot be automatically updated with the original manuscript, and there may also be improper translations. Readers are advised to use the English manuscript as a reference for more accurate information.
3. All product information provided on the website refer to solutions from manufacturers' technical support or users the contents may have differences in description, and readers are advised to take the original article as the standard.
4. If you have any questions, please contact us at marketing@iczoom.com and mark the subject with "Datasheets" .

Instruction Set

Data Transfer Operations

Table listing data transfer instructions: MOV, MOV @Ri, MOV direct, MOV #data, etc.

Arithmetic Operations

Table listing arithmetic instructions: ADD, ADDC, SUBB, INC, DEC, MUL, DIV, DA.

Boolean Variable Manipulation

Table listing Boolean manipulation instructions: CLR, SETB, CPL, ANL, ORL, MOV bit, XCH.

Logical Operations

Table listing logical instructions: ANL, ORL, XRL, CLR, CPL, RL, RLC, RR, RRC, SWAP.

Legend

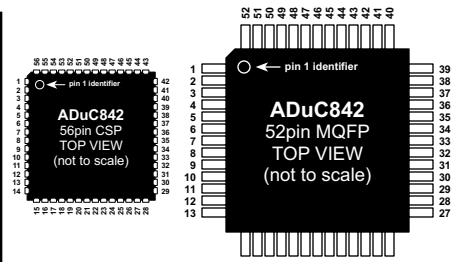
Legend table explaining symbols: Rn, @Ri, direct, #data, #data16, bit, rel, addr11, addr16, x.

Instructions That Affect Flags

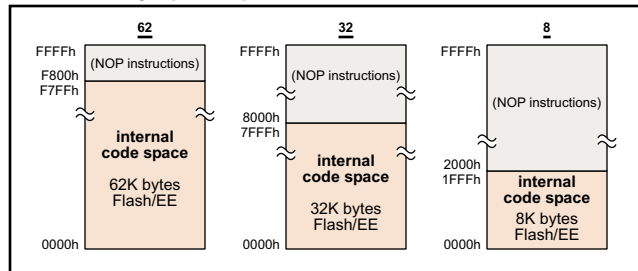
Table showing flags affected by instructions: C, AC, OV, Z, J, JZ, JNZ, OVF, OV, etc.

Pin Functions

Pin function table for ADuC842, listing pins 1-52 and their functions like P1.0/T2, P1.1/T2EX, AVDD, AGND, etc.



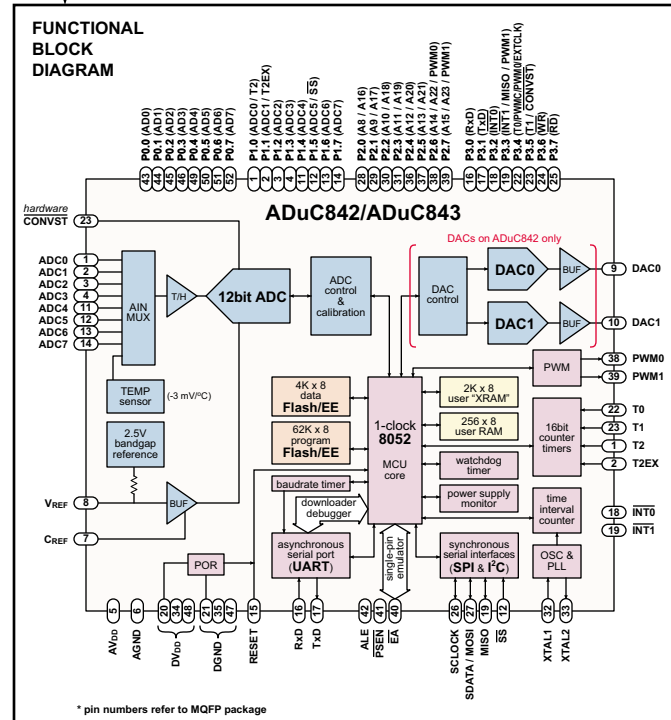
Code Memory Space Options



Interrupt Vector Addresses

Table of interrupt vector addresses: Interrupt Bit, Interrupt Name, Vector Address, Relative Priority.

ADuC842/843 MicroConverter® Quick Reference Guide



A Precision Analog Flash MCU

The ADuC842/ADuC843 is:

- ADC: 12bit, 5us, 8channel, self calibrating 0.5LSB INL & 70dB SNR
DAC (ADuC842 only): dual, 12bit, 15us, voltage output <1LSB DNL
Flash/EEPROM: 62K bytes Flash/EE program memory 4K bytes Flash/EE data memory
Microcontroller: "single-cycle" 8052, up to 16.8MIPS 32 I/O lines, programmable PLL clock (131KHz to 16.8MHz with 32KHz crystal)
Embedded Tools Support: on-chip download/debug & single-pin emulation functions
Other on-chip features: temperature monitor, power supply monitor, watchdog timer, flexible serial interface ports, voltage reference, time interval counter, dual 8/16bit PWM, power-on-reset

© 2003 Analog Devices, Inc. All rights reserved. Trademarks and registered trademarks are the property of their respective companies.

