

阅读申明

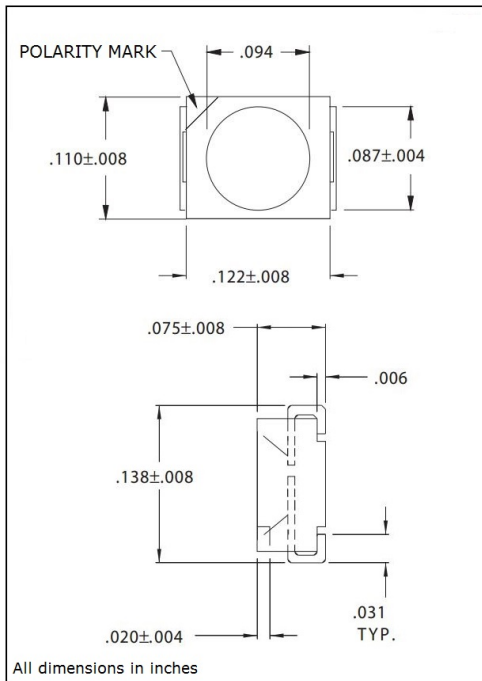
- 1.本站收集的数据手册和产品资料都来自互联网，版权归原作者所有。如读者和版权方有任何异议请及时告之，我们将妥善解决。
- 2.本站提供的中文数据手册是英文数据手册的中文翻译，其目的是协助用户阅读，该译文无法自动跟随原稿更新，同时也可能存在翻译上的不当。建议读者以英文原稿为参考以便获得更精准的信息。
- 3.本站提供的产品资料，来自厂商的技术支持或者使用者的心得体会等，其内容可能存在描述上的差异，建议读者做出适当判断。
- 4.如需与我们联系，请发邮件到marketing@iczoom.com，主题请标有“数据手册”字样。

Read Statement

1. The datasheets and other product information on the site are all from network reference or other public materials, and the copyright belongs to the original author and original published source. If readers and copyright owners have any objections, please contact us and we will deal with it in a timely manner.
2. The Chinese datasheets provided on the website is a Chinese translation of the English datasheets. Its purpose is for reader's learning exchange only and do not involve commercial purposes. The translation cannot be automatically updated with the original manuscript, and there may also be improper translations. Readers are advised to use the English manuscript as a reference for more accurate information.
3. All product information provided on the website refer to solutions from manufacturers' technical support or users the contents may have differences in description, and readers are advised to take the original article as the standard.
4. If you have any questions, please contact us at marketing@iczoom.com and mark the subject with "Datasheets" .

CMD67-21 SERIES SMT LEDs

Description and Features



Surface Mount Technology

- Tape and reel packaged for high-speed autoinsertion.
- Convection and vapor-phase eflow compatible.
- Compact form enables high density placement.
- Packaged 2000 pieces per reel.
- RoHS Compliant

Leading Edge LED Optoelectronic Performance

- Consistent high brightness.
- Integral lensing for narrow angle light dispersion.
- Bi-color available.

Exceptional Reliability

- Stringent process controls assure quality.
- Extensive qualification testing to meet strictest requirements.
- Designed to permit easy post-reflow solder joint inspection.

- Refer to "Solder Pad Geometry 1.pdf"

Electro-Optical Characteristics and Ratings

Part Number	Emitted Color	Lens Color	Luminous Intensity		Forward Voltage		Polarity Mark Indicates	Peak Wavelength (nm)	View Angle (degrees)
			Min. (mcd)	Typ. (mcd)	Typ. (V)	Max. (V)			
C MD67-21VG C /TR8	Green	Clear	15.0	25.0	2.1	2.8	Cathode	570	120
C MD67-21VY C /TR8	Yellow	Clear	6.0	10.0	2.0	2.8	Cathode	585	120
C MD67-21VR C /TR8	H.E. Red	Clear	6.0	10.0	2.0	2.8	Cathode	640	120
C MD67-21S R C /TR8	Bright Red	Clear	25.0	40.0	1.7	2.4	Anode	660	120
C MD67-21UR C /TR8	Bright Red	Clear	36.0	62.0	1.7	2.4	Anode	660	120

Absolute Maximum Ratings

	Green	H.E.Red	Yellow	Bright Red	Units
Power Dissipation.....	105.....	120.....	105.....	100.....	mW
Storage/Operating Temperature.....	-40 to +85.....	-40 to +85.....	-40 to +85.....	-40 to +85.....	°C
Peak Forward Current (1µs @ 10% duty cycle).....	150.....	150.....	150.....	150.....	mA
Reverse Voltage (IR=100µA).....	5.0.....	5.0.....	5.0.....	5.0.....	V
Lead Solder Time @ 260°C.....	5.....	5.....	5.....	5.....	Seconds
Average Forward Current.....	25.....	30.....	30.....	30.....	mA

Mouser Electronics

Authorized Distributor

Click to View Pricing, Inventory, Delivery & Lifecycle Information:

VCC:

[CMD67-21VRC/TR8](#) [CMD67-21SRC/TR8](#) [CMD67-21VGC/TR8](#) [CMD67-21VYC/TR8](#) [CMD67-21URC/TR8](#) [CMD67-21USOC-100](#) [CMD67-21SRC-100](#)