

阅读申明

- 1.本站收集的数据手册和产品资料都来自互联网，版权归原作者所有。如读者和版权方有任何异议请及时告之，我们将妥善解决。
- 2.本站提供的中文数据手册是英文数据手册的中文翻译，其目的是协助用户阅读，该译文无法自动跟随原稿更新，同时也可能存在翻译上的不当。建议读者以英文原稿为参考以便获得更精准的信息。
- 3.本站提供的产品资料，来自厂商的技术支持或者使用者的心得体会等，其内容可能存在描述上的差异，建议读者做出适当判断。
- 4.如需与我们联系，请发邮件到marketing@iczoom.com，主题请标有“数据手册”字样。

Read Statement

1. The datasheets and other product information on the site are all from network reference or other public materials, and the copyright belongs to the original author and original published source. If readers and copyright owners have any objections, please contact us and we will deal with it in a timely manner.
2. The Chinese datasheets provided on the website is a Chinese translation of the English datasheets. Its purpose is for reader's learning exchange only and do not involve commercial purposes. The translation cannot be automatically updated with the original manuscript, and there may also be improper translations. Readers are advised to use the English manuscript as a reference for more accurate information.
3. All product information provided on the website refer to solutions from manufacturers' technical support or users the contents may have differences in description, and readers are advised to take the original article as the standard.
4. If you have any questions, please contact us at marketing@iczoom.com and mark the subject with "Datasheets" .

SCM Series Supercapacitor Modules

Connected Supercapacitors



This new series of electrochemical, double-layer, series-connected super capacitor modules offers excellent pulse power handling characteristics based on the combination of very high capacitance and very low ESR. Used by themselves or in conjunction with primary or secondary batteries, they provide extended back up time, longer battery life, and provide instantaneous power pulses as needed. Offers great solutions to Hold Up, Energy Harvesting, and Pulse Power Applications.

FEATURES

- High pulse power capability
- Low ESR
- Low Leakage Current

APPLICATIONS

- Camera Flash Systems
- Energy Harvesting
- GSM/GPRS Pulse Applications
- UPS/Industrial
- Wireless Alarms
- Remote Metering
- Scanners
- Toys and Games

HOW TO ORDER

| | | | | | | | | | |
|-------------------------------------|---|--|---|--|------------------------------|--|----------------------------|--|---|
| SCM | R | 14 | C | 474 | M | R | B | A | 0 |
| Series SuperCap Module | Diameter Q = 6.3mm R = 8mm S = 10mm T = 12.5mm | Case Length Two digits Represent case Length in mm | Voltage Code C = 5.0V D = 5.4V | Capacitance Code 1st two digits represent significant figures 3rd digit represents multiplier (number of zeros to follow) | Tolerance M = ±20% | Package/Lead Format R = Shrink Wrap/Radial S = Plastic/Radial | Package B = Bulk | Balancing A = Unbalanced B = Passive Balanced | Mounting 0 = Vertical 1 = Horizontal |

QUALITY INSPECTION

Parts are tested for Life Cycle, high temperature load life, temperature characteristics, vibration resistance, and humidity characteristics. See page 2 for more information.

TERMINATION

These supercapacitors are compatible with hand soldering, as well as reflow and wave soldering processes, so long as appropriate precautions are followed. See page 4 for more information.

OPERATING TEMPERATURE

-40°C to +65°C @ 5.0V – 5.4V Balanced
-40°C to +85°C @ 3.9V – 4.6V Balanced



SCM Series Supercapacitor Modules

Connected Supercapacitors

RATINGS & PART NUMBER REFERENCE

| AVX Part Number | Diameter (mm) | Length (mm) | Capacitance (F) | Capacitance Tolerance | Rated Voltage (V) | Rated Temperature (°C) | DCL Max @ 72 Hrs (µA) | ESR Max @ 1000 Hz (mΩ) | ESR Max @ DC (mΩ) | Peak Current (A) | Power Density (W/kg) | Max Energy (Wh) | Energy Density (Wh/kg) |
|----------------------------------|---------------|-------------|-----------------|-----------------------|-------------------|------------------------|-----------------------|------------------------|-------------------|------------------|----------------------|-----------------|------------------------|
| Shrink Wrap / Radial Lead | | | | | | | | | | | | | |
| SCMQ14C474MRBA0 | 6.3 | 14 | 0.47 | ±20% | 5.0 | 65* | 2 | 300 | 600 | 0.61 | 918.4 | 0.0027 | 1.5 |
| SCMQ14D474MRBB0 | 6.3 | 14 | 0.47 | ±20% | 5.4 | 65* | 6 | 300 | 600 | 0.61 | 918.4 | 0.0027 | 1.5 |
| SCMR14C474MRBA0 | 8 | 14 | 0.47 | ±20% | 5.0 | 65* | 2 | 300 | 600 | 0.86 | 1871 | 0.0019 | 1 |
| SCMR14D474MRBB0 | 8 | 14 | 0.47 | ±20% | 5.4 | 65** | 6 | 300 | 600 | 0.86 | 1871 | 0.0019 | 1 |
| SCMR18C105MRBA0 | 8 | 18 | 1 | ±20% | 5.0 | 65* | 6 | 150 | 300 | 1.57 | 2095 | 0.004 | 1.7 |
| SCMR18D105MRBB0 | 8 | 18 | 1 | ±20% | 5.4 | 65** | 10 | 150 | 300 | 1.57 | 2095 | 0.004 | 1.7 |
| SCMR22C155MRBA0 | 8 | 22 | 1.5 | ±20% | 5.0 | 65* | 10 | 120 | 240 | 2.13 | 2160 | 0.006 | 2.3 |
| SCMR22D155MRBB0 | 8 | 22 | 1.5 | ±20% | 5.4 | 65** | 15 | 120 | 240 | 2.13 | 2160 | 0.006 | 2.3 |
| SCMS22C255MRBA0 | 10 | 22 | 2.5 | ±20% | 5.0 | 65* | 20 | 75 | 150 | 3.07 | 1727 | 0.0101 | 2.4 |
| SCMS22D255MRBB0 | 10 | 22 | 2.5 | ±20% | 5.4 | 65** | 25 | 75 | 150 | 3.07 | 1727 | 0.0101 | 2.4 |
| SCMT22C505MRBA0 | 12.5 | 22 | 5 | ±20% | 5.0 | 65* | 25 | 65 | 130 | 6.75 | 2499 | 0.0202 | 2.9 |
| SCMT22D505MRBB0 | 12.5 | 22 | 5 | ±20% | 5.4 | 65** | 30 | 65 | 130 | 6.75 | 2499 | 0.0202 | 2.9 |
| SCMT32C755MRBA0 | 12.5 | 32 | 7.5 | ±20% | 5.0 | 65* | 65 | 55 | 120 | 9.2 | 2339 | 0.0203 | 3.2 |
| SCMT32D755MRBB0 | 12.5 | 32 | 7.5 | ±20% | 5.4 | 65** | 70 | 55 | 120 | 9.2 | 2339 | 0.0203 | 3.2 |
| Plastic / Radial | | | | | | | | | | | | | |
| SCMR14C474MSBA0 | 9 | 16 | 0.47 | ±20% | 5.0 | 65* | 2 | 300 | 600 | 0.86 | 1871 | 0.0019 | 1 |
| SCMR14D474MSBB0 | 9 | 16 | 0.47 | ±20% | 5.4 | 65** | 6 | 300 | 600 | 0.86 | 1871 | 0.0019 | 1 |
| SCMR18C105MSBA0 | 9 | 20 | 1 | ±20% | 5.0 | 65* | 6 | 150 | 300 | 1.57 | 2095 | 0.004 | 1.7 |
| SCMR18D105MSBB0 | 9 | 20 | 1 | ±20% | 5.4 | 65** | 10 | 150 | 300 | 1.57 | 2095 | 0.004 | 1.7 |
| SCMR22C155MSBA0 | 9 | 24 | 1.5 | ±20% | 5.0 | 65* | 10 | 120 | 240 | 2.13 | 2160 | 0.006 | 2.3 |
| SCMR22D155MSBB0 | 9 | 24 | 1.5 | ±20% | 5.4 | 65** | 15 | 120 | 240 | 2.13 | 2160 | 0.006 | 2.3 |

* With Voltage Derating to 4.2V per Cap Temp can be rated to 85°C

**With Voltage Derating to 4.6V per Cap Temp can be rated to 85°C

QUALIFICATION TEST SUMMARY

| Test | Test Method | Parameter | Limits |
|------------------------------------|---|---|--|
| Life Cycle | Capacitors are cycled between specified voltage and half-rated voltage under constant current at +25°C for 500,000 cycles | Capacitance Change ESR Appearance | ≤30% of initial value ≤2 times initial value No remarkable defects |
| High Temperature Load Life | Temperature: 60 ± 2°C Voltage: 2.7V Test Duration: 1,000 +48/-0 hours | Capacitance Change ESR Appearance | ≤30% of initial value ≤2 times initial value No remarkable defects |
| Temperature Characteristics | Storage Duration: 12 hours No Load Temperature: -40°C, +25°C, +65°C | Capacitance Change ESR Appearance | ≤30% of initial value ≤2 times initial value No remarkable defects |
| Vibration Resistance | Amplitude: 1.5mm Frequency: 10 ~ 55Hz Direction: X, Y, Z (Each for 2 hours) Test Duration: 6 hours | Capacitance Change ESR Appearance | ≤30% of initial value ≤2 times initial value No remarkable defects |
| Humidity | Voltage: 2.7V RH: 90~95% Test Duration: 240 hours Temperature: 40 ± 2°C | Capacitance Change ESR Appearance | ≤30% of initial value ≤2 times initial value No remarkable defects |

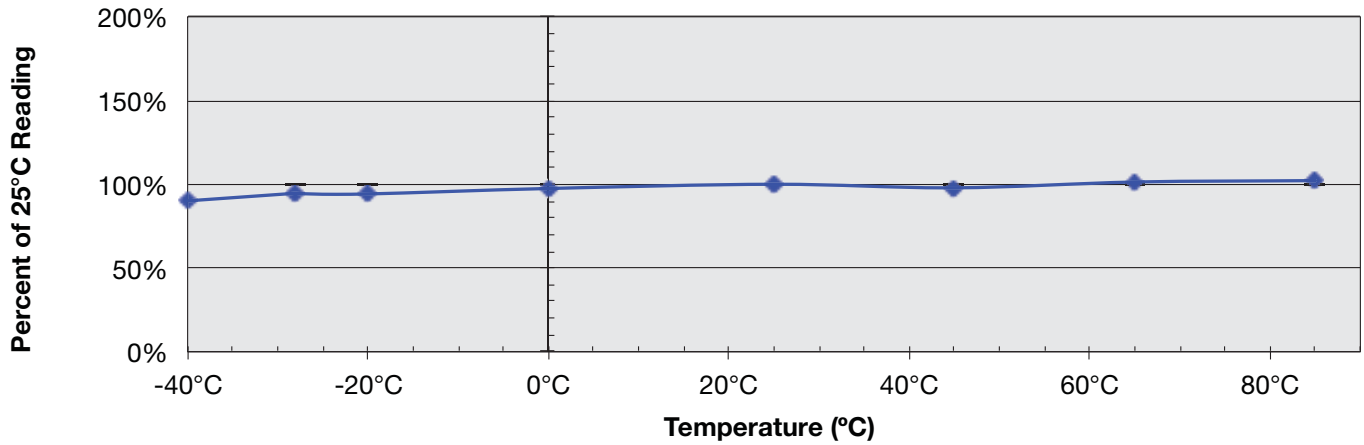
SCM Series Supercapacitor Modules



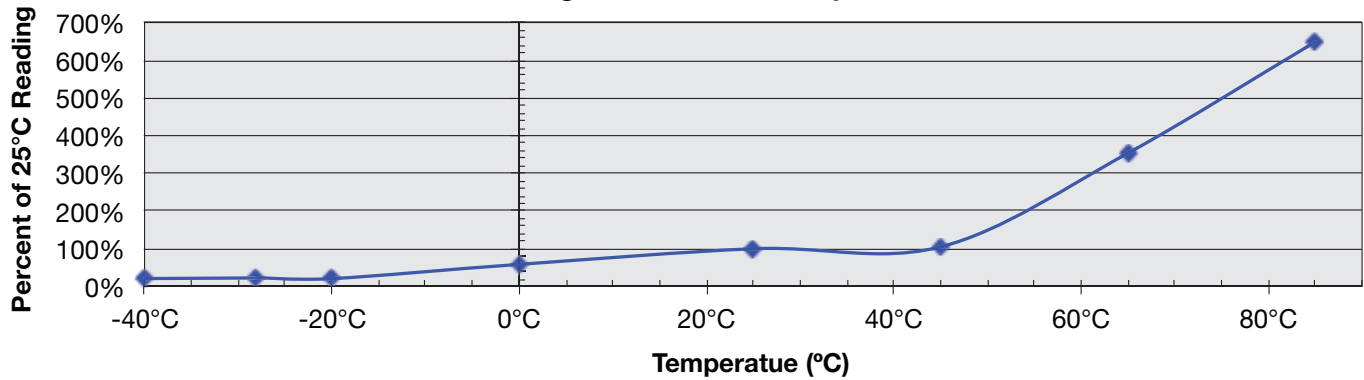
Connected Supercapacitors

QUALITY AND RELIABILITY

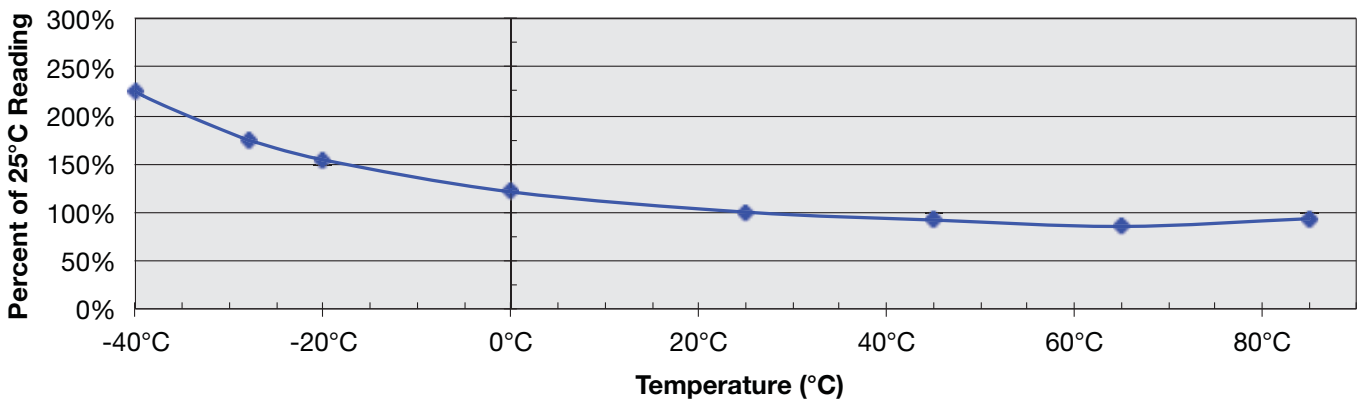
Capacitance vs. Temperature



Leakage Current vs. Temperature



Equivalent Series Resistance vs. Temperature



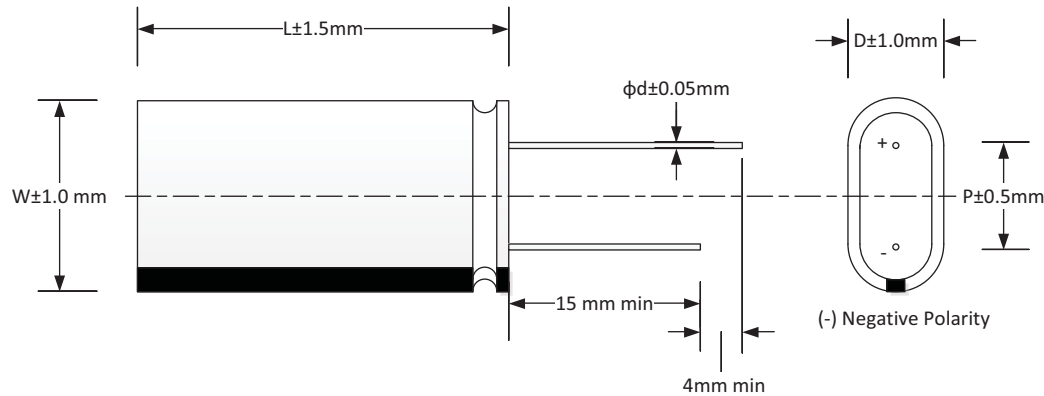
SCM Series Supercapacitor Modules



Connected Supercapacitors

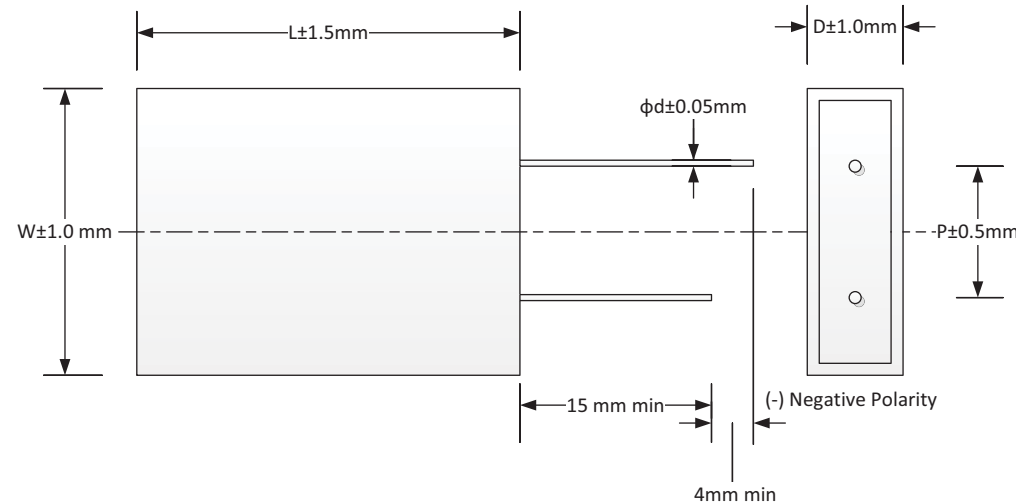
MECHANICAL SPECIFICATIONS

Shrink Wrap Type



| D (mm) | W (mm) | P (mm) | d (mm) |
|--------|--------|--------|--------|
| 6.3 | 13.6 | 9.0 | 0.6 |
| 8 | 16 | 11.5 | 0.6 |
| 10 | 20 | 15.5 | 0.6 |
| 12.5 | 25 | 18.0 | 0.6 |

Plastic Type



| D (mm) | W (mm) | P (mm) |
|--------|--------|--------|
| 9 | 18 | 11.5 |

SOLDERING RECOMMENDATIONS

When soldering supercapacitors to a PCB, the temperature & time that the body of the supercapacitor sees during soldering can have a negative effect on performance. We advise following these guidelines:

- Do not immerse the supercapacitors in solder. Only the leads should come in contact with the solder.
- Ensure that the body of the supercapacitor is not in contact with the PCB or other components during soldering. Temperature cycling during soldering may cause the case to shrink or crack, potentially damaging the PCB or other components.

HAND SOLDERING

Keep some distance between the supercapacitor body and the tip of the soldering iron; contact between supercapacitor body and soldering iron will cause extensive damage to the supercapacitor. It is recommended that the soldering iron temperature should be less than 350°C, and contact time should be limited to no more than 4 seconds. Too much exposure to terminal heat during soldering can cause heat to transfer to the body of the supercapacitor, potentially damaging the supercapacitor.

WAVE SOLDERING

Only use wave soldering on Radial type supercapacitors. The PCB should be preheated for no longer than 60 seconds, with temperature at, or below, 100°C. Soldering tin should be 0.8mm or thicker.

| Solder Temperature (°C) | Suggested Solder Time (s) | Maximum Solder Time (s) |
|-------------------------|---------------------------|-------------------------|
| 220 | 7 | 9 |
| 240 | 7 | 9 |
| 250 | 5 | 7 |
| 260 | 3 | 5 |

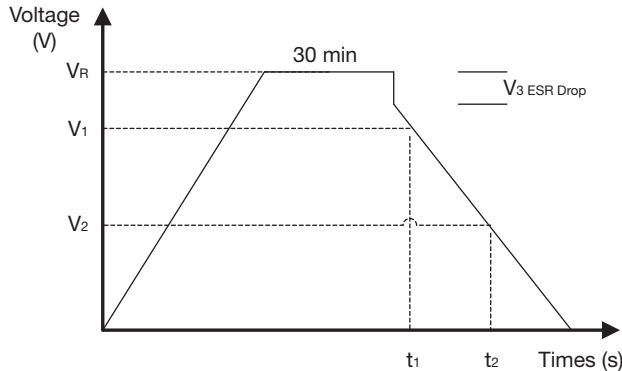
REFLOW SOLDERING

Infrared or conveyor over reflow techniques can be used on these supercapacitors. Do not use a traditional reflow oven without clear rated reflow temperature for supercapacitors.

TEST METHODS

IEC Capacitance Test Method

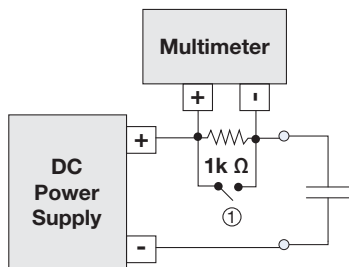
- Capacitance is measured using a Keithley 2400 or 2602 Meter
- Procedure
 - Charge Capacitor to Rated Voltage at room temperature
 - Disconnect parts from voltage to remove charging effects
 - Discharge cells with a constant current I determined by $4 * C * V_R$
 - Noting V_1 , t_1 , V_2 , t_2 and performing the calculation for C



- I – Discharge Current [mA], $4 * C * V_R$
- V_R – Rated Voltage
- V_1 – Initial Test Voltage, 80% of V_R
- V_2 – Final Test Voltage, 40% of V_R
- t_1 – Initial Test time
- t_2 – Final Test time
- $C = I * (t_2 - t_1) / (V_1 - V_2)$

DCL Measurement @ 25°C

- DCL is measured using a Multimeter with high internal impedance across a resistor
 - Charge Capacitor to Rated Voltage at room temperature for 72 Hours
 - Disconnect parts from Voltage by opening switch 1 (Stabilize for 10 Min)
 - Measure Voltage across a known Valued Resistor (1K Ohm)
 - Calculate DCL = V/R



Initial ESR Measurement @ 25°C

- Using an Agilent 4263B LCR Meter and a Kelvin connection
 - Measure at frequency of 1000 Hz
 - Measurement Voltage of 10mV

DC ESR Measurement

- Six steps capacity and ESRDC Test Method is used as illustrated in the figure right.
- Tests are carried out by charging and discharging the capacitor for two cycles at rated voltage and half rated voltage

$$C = (C_{DC1} + C_{DC2}) / 2$$

$$ESR_{DC} = (ESR_{DC1} + ESR_{DC2}) / 2$$

Where:

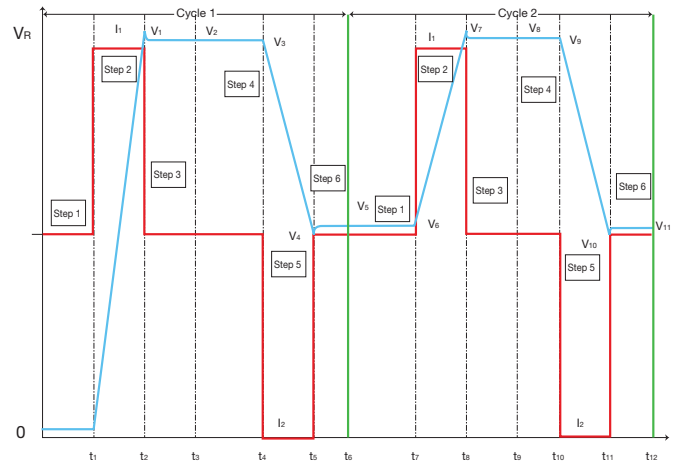
$$C_{DC1} = I_2 * (t_5 - t_4) / (V_3 - V_4)$$

$$C_{DC2} = I_2 * (t_{11} - t_{10}) / (V_9 - V_{10})$$

$$ESR_{DC1} = (V_5 - V_4) / I_2$$

$$ESR_{DC2} = (V_{11} - V_{10}) / I_2$$

$$I_1 = I_2 = 75mA/F$$



Maximum Operating Current

- This is the maximum current when capacitor temperature rise of the capacitor during its operation is less than 15°C

Maximum Peak Current

- This is the maximum current in less than 1 sec

Watt Density

- Watt Density = $(0.12 * V^2 / R_{DC}) / \text{mass}$

Energy Density

- Energy density = $(1/2 * CV^2) / (3600 * \text{mass})$

SCM Series Supercapacitor Modules

High Capacitance Cylindrical Supercapacitors

POLARITY / REVERSE VOLTAGE

In principal the positive and negative electrodes of the supercapacitors are symmetrical and in theory they should not have a polarity but for product consistency and for optimum performance the negative polarity is marked because the capacitors do not discharge completely when in use. It is recommended that the

polarity should be used as marked. If the polarity is reversed the circuit will not have a catastrophic failure but the circuit will see a much higher leakage current for a short duration of time and the life time of the super-capacitors will be reduced.

LIFE TIME AND TEMPERATURE PERFORMANCE

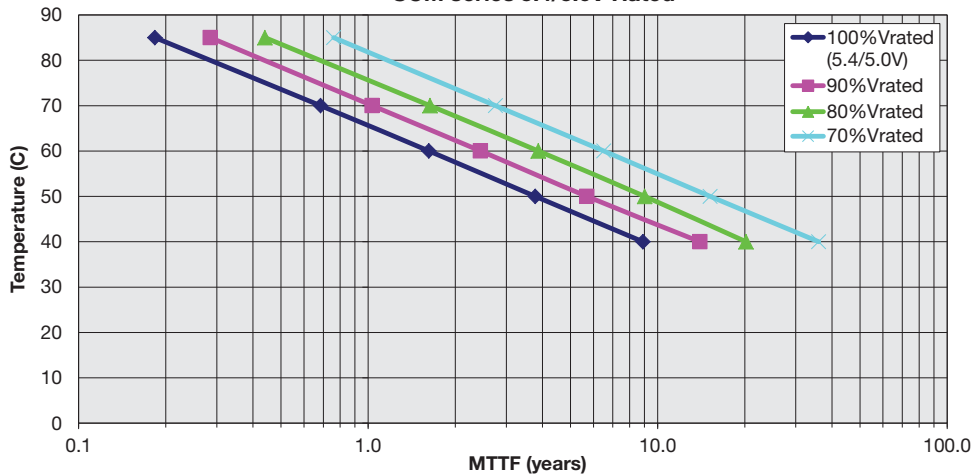
The life of a supercapacitor is impacted by a combination of operating voltage and the operating temperature according to the following equation:

$$\text{time to failure, } t \propto V^n \cdot \exp(-Q / k \cdot T) \dots\dots\dots(1)$$

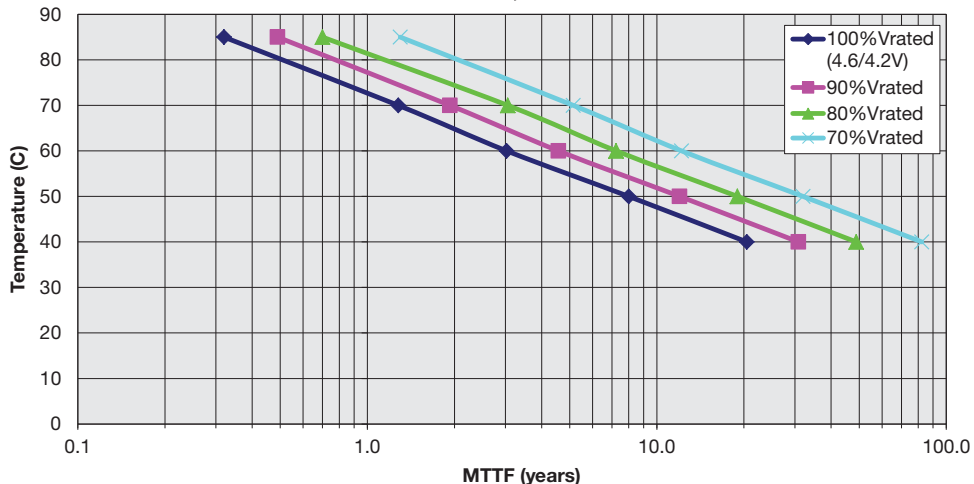
where V is the voltage of operation, Q is the activation energy in electron volts (eV), k is the Boltzmann's constant in eV and T is the operating temperature in °K (where K is in degrees Kelvin). Typical values for the voltage exponent, n, is between 2.5 - 3.5, and Q is between 1.0 - 1.2 eV in the normal operating temperature range of 40° to 65°C.

The industry standard for super-capacitor end of life is when the equivalent series resistance, ESR, increases to 200% of the original value and the capacitance drops by 30%. Typically a super-capacitance shows an initial change in the ESR value and then levels off. If the capacitors are exposed to excessive temperatures the ESR will show a continuous degradation. In the extreme case, if the temperatures or voltages are substantially higher, than the rated voltage, this will lead to cell leakage or gas leakage and the product will show a faster change in the ESR which may increase to many times the original value.

**Expected Lifetime at Various Voltages
SCM series 5.4/5.0V Rated**



**Expected Lifetime at Various Voltages
SCM series, 4.6/4.2V Rated**



SCM Series Supercapacitor Modules

High Capacitance Cylindrical Supercapacitors

SAFETY RECOMMENDATIONS

Warnings

- To Avoid Short Circuit, after usage or test, Super Capacitor voltage needs to discharge to $\leq 0.1V$
- Do not Apply Overvoltage, Reverse Charge, Burn or Heat Higher than $150^{\circ}C$, explosion-proof valve may break open
- Do not Press, Damage or disassemble the Super Capacitor, housing could heat to high temperature causing Burns
- If you observe Overheating or Burning Smell from the capacitor disconnect Power immediately, and do not touch

Emergency Applications

- If Housing is Leaking:
 - Skin Contact: Use soap and water thoroughly to wash the area of the skin
 - Eye Contact: Flush with flowing water or saline, and immediately seek medical treatment
 - Ingestion: Immediately wash with water and seek medical treatment

Transportation

Not subjected to US DOT or IATA regulations
UN3499, <10Wh, Non-Hazardous Goods
International shipping description –
“Electronic Products – Capacitor”

Regulatory

- UL810a
- RoHS Compliant
- Reach Compliant / Halogen Free

Storage

- Capacitors may be stored within the operating temperature range of the capacitor
- Lower storage temperature is preferred as it extends the shelf life of the capacitor
- Do Not Store the Super Capacitors in the following Environments
 - High Temperature / High Humidity environments $>70^{\circ}C$ / 40% RH
 - Direct Sunlight
 - In direct contact with water, salt oil or other chemicals
 - In direct contact with corrosive materials, acids, alkalis, or toxic gases
 - Dusty environment
 - In environment with shock and vibration conditions

Licensed by CAP-XX

AMERICAS

AVX Greenville, SC
Tel: 864-967-2150

EUROPE

AVX Limited, England
Tel: +44-1276-697000

AVX S.A.S., France
Tel: +33-1-69-18-46-00

AVX GmbH, Germany
Tel: +49-0811-95949-0

AVX SRL, Italy
Tel: +39-02-614-571

AVX Czech Republic
Tel: +420-57-57-57-521

AVX/ELCO UK
Tel: +44-1638-675000

ELCO Europe GmbH
Tel: +49-2741-299-0

AVX S.A., Spain
Tel: +34-91-63-97-197

AVX Benelux
Tel: +31-187-489-337

ASIA-PACIFIC

AVX/Japan
Tel: +81-740-32-1250

AVX/Kyocera (S) Pte Ltd.,
Singapore
Tel: +65-6286-7555

AVX/Kyocera, Asia, Ltd.,
Hong Kong
Tel: +852-2363-3303

AVX/Kyocera Yuhan Hoesa,
South Korea
Tel: +82-2785-6504

AVX/Kyocera HK Ltd.,
Taiwan
Tel: +886-2-2656-0258

AVX/Kyocera (M) Sdn Bhd,
Malaysia
Tel: +60-4228-1190

AVX/Kyocera International
Trading Co. Ltd.,
Shanghai
Tel: +86-21-3255 1933

AVX/Kyocera Asia Ltd.,
Shenzen
Tel: +86-755-3336-0615

AVX/Kyocera International
Trading Co. Ltd.,
Beijing
Tel: +86-10-6588-3528

AVX/Kyocera India
Liaison Office
Tel: +91-80-6450-0715

ASIA-KED

(KYOCERA Electronic Devices)

KED Hong Kong Ltd.
Tel: +852-2305-1080/1223

KED Hong Kong Ltd.
Shenzen
Tel: +86-755-3398-9600

KED Company Ltd.
Shanghai
Tel: +86-21-3255-1833

KED Hong Kong Ltd.
Beijing
Tel: +86-10-5869-4655

KED Taiwan Ltd.
Tel: +886-2-2950-0268

KED Korea Yuhan Hoesa,
South Korea
Tel: +82-2-783-3604/6126

KED (S) Pte Ltd.
Singapore
Tel: +65-6509-0328

Kyocera Corporation
Japan
Tel: +81-75-604-3449

Contact:



Mouser Electronics

Authorized Distributor

Click to View Pricing, Inventory, Delivery & Lifecycle Information:

AVX:

[SCMR22C155MSBA0](#) [SCMR14C474MRBA0](#) [SCMS22C255MRBA0](#) [SCMR14C474MSBA0](#) [SCMT32C755MRBA0](#)
[SCMR22C155MRBA0](#) [SCMR18C105MRBA0](#) [SCMR18C105MSBA0](#) [SCMT22C505MRBA0](#) [SCMQ14C474MRBA0](#)
[SCMR14L334MRBB0](#) [SCMR18L604MRBB0](#) [SCMR14G334MRBA0](#) [SCMQ14F474MRBA0](#) [SCMQ14H474SRBB0](#)
[SCMT32F755MRBA0](#) [SCMR18F105MRBA0](#) [SCMS32H505MRBB0](#) [SCMS22H255MRBB0](#) [SCMR18G604MRBA0](#)
[SCMR14H474MRBB0](#) [SCMR18H105MRBB0](#) [SCMR22F155MRBA0](#) [SCMR22G105MRBA0](#) [SCMR22H155MRBB0](#)
[SCMS22F255MRBA0](#) [SCMT22F505MRBA0](#) [SCMS32F505MRBA0](#) [SCMR22L105MRBB0](#) [SCMR14F474MRBA0](#)