

## 阅读申明

- 1.本站收集的数据手册和产品资料都来自互联网，版权归原作者所有。如读者和版权方有任何异议请及时告之，我们将妥善解决。
- 2.本站提供的中文数据手册是英文数据手册的中文翻译，其目的是协助用户阅读，该译文无法自动跟随原稿更新，同时也可能存在翻译上的不当。建议读者以英文原稿为参考以便获得更精准的信息。
- 3.本站提供的产品资料，来自厂商的技术支持或者使用者的心得体会等，其内容可能存在描述上的差异，建议读者做出适当判断。
- 4.如需与我们联系，请发邮件到marketing@iczoom.com，主题请标有“数据手册”字样。

## Read Statement

1. The datasheets and other product information on the site are all from network reference or other public materials, and the copyright belongs to the original author and original published source. If readers and copyright owners have any objections, please contact us and we will deal with it in a timely manner.
2. The Chinese datasheets provided on the website is a Chinese translation of the English datasheets. Its purpose is for reader's learning exchange only and do not involve commercial purposes. The translation cannot be automatically updated with the original manuscript, and there may also be improper translations. Readers are advised to use the English manuscript as a reference for more accurate information.
3. All product information provided on the website refer to solutions from manufacturers' technical support or users the contents may have differences in description, and readers are advised to take the original article as the standard.
4. If you have any questions, please contact us at marketing@iczoom.com and mark the subject with "Datasheets" .



**austriamicrosystems AG**

**is now**

**ams AG**

The technical content of this austriamicrosystems datasheet is still valid.

**Contact information:**

**Headquarters:**

ams AG  
Tobelbaderstrasse 30  
8141 Unterpremstaetten, Austria  
Tel: +43 (0) 3136 500 0  
e-Mail: [ams\\_sales@ams.com](mailto:ams_sales@ams.com)

Please visit our website at [www.ams.com](http://www.ams.com)

# AS1904, AS1905, AS1906

## Ultra Low-Power $\mu$ P Supervisory Circuit

World's Lowest Power Consumption!

### 1 General Description

The AS1904/5/6 family is an ultra low-power supervisory circuit device.

The device can be used to monitor the supply voltage of digital systems and microprocessors and initiate a reset when the voltage goes below a predefined threshold. The duration of the reset is 5/20/100/500ms (typ.) after the supply voltage has risen above the threshold.

The device exhibits excellent reliability and can reduce application costs by eliminating all external components.

The device is available with different output drivers:

- The AS1904 has a push-pull driver with an active low reset.
- The AS1905 uses the same output stage as the AS1904, but has an active high reset.
- The AS1906 has an open drain output with active low reset.

All devices operate down to a voltage of 1V.

The reset thresholds are factory-trimmable between 2.2V and 3.08V in steps of approximately 100mV.

Each device of the AS1904/5/6 family is offered with four time-out periods of 5/20/100/500ms.

The extremely low current consumption of only 150nA (typ) at 3.3V makes the device ideal for use in portable applications.

All devices are available in a 3-pin SOT23 package.

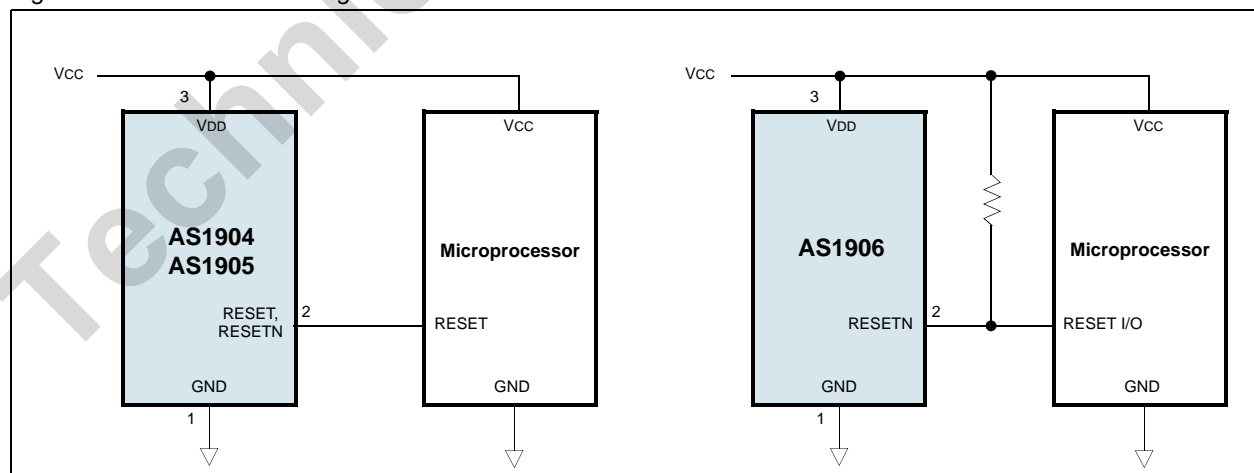
### 2 Key Features

- Low 150nA (typical) Supply Current
- Precision Monitoring of 2.5-, 3-, and 3.3V-Power Supplies
- Supply Voltage Range 1.0 to 3.6V
- Reset Threshold Available from 2.2 to 3.1V
- Available in three Versions
  - AS1904 Push-Pull RESETN
  - AS1905 Push-Pull RESET
  - AS1906 Open Drain RESETN
- 4 Time-Out Periods Ranging from 5 to 500ms
- Detection Voltage Accuracy:  $\pm 1.5\%$
- Temperature Range:  $-40$  to  $+85^\circ\text{C}$
- SOT23-3 Package
- Superior Upgrade to austriamicrosystems AS1901/2/3 Device Family

### 3 Applications

The devices are ideal for computers, intelligent instruments, controllers, critical microprocessor and micro-controller, power monitoring and portable/battery-powered equipment.

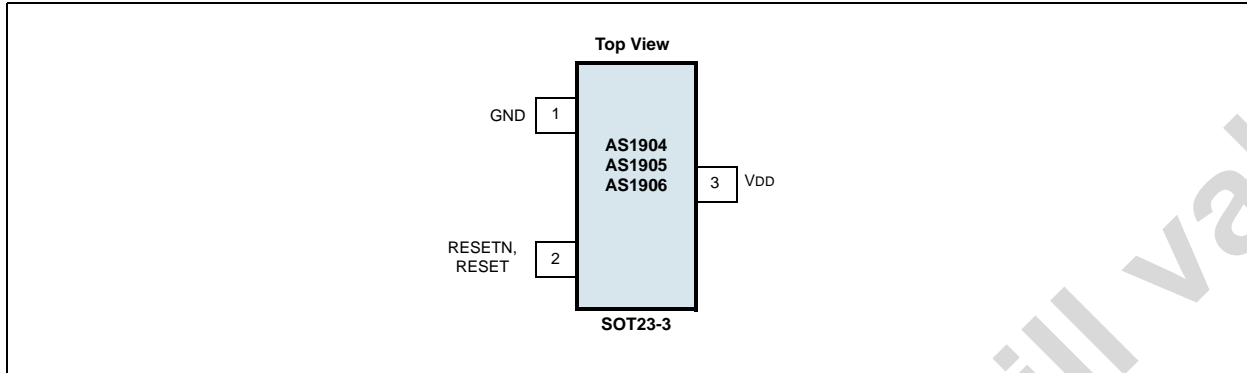
Figure 1. Functional Block Diagrams



## 4 Pinout

### Pin Assignments

Figure 2. Pin Assignments (Top View)



### Pin Descriptions

Table 1. Pin Descriptions

Pin Number		Pin Name	Description
AS1904/AS1906	AS1905		
1	1	GND	Ground
2	-	RESETN	Active-low reset output. RESETN remains low while VDD is below the reset threshold and for tTP after VDD rises above the reset threshold. RESETN is open-drain on the AS1906 and push-pull on the AS1904.
-	2	RESET	Active-high reset output. RESET remains high while VDD is below the reset threshold and for tTP after VDD rises above the reset threshold.
3	3	VDD	Supply voltage.

## 5 Absolute Maximum Ratings

Stresses beyond those listed in Table 2 may cause permanent damage to the device. These are stress ratings only, and functional operation of the device at these or any other conditions beyond those indicated in the operational sections of the specifications is not implied. Exposure to absolute maximum rating conditions for extended periods may affect device reliability.

Table 2. Absolute Maximum Ratings ( $T_A = 25^\circ\text{C}$  Unless Otherwise Noted)

Parameter	Limits	Units	Notes
V <sub>DD</sub> to GND	-0.3 to +5	V	
RESET/RESETN to GND	-0.3 to V <sub>DD</sub> + 0.3	V	
Input Current (V <sub>DD</sub> )	20	mA	
Output Current (RESET, RESETN)	20	mA	
Rate of Rise (V <sub>DD</sub> )	100	V/ $\mu\text{s}$	
Operating Temperature Range (T <sub>A</sub> )	-40 to +85	$^\circ\text{C}$	
Storage Temperature Range	-65 to +150	$^\circ\text{C}$	
Package-Body Peak Temperature	+260	$^\circ\text{C}$	The reflow peak soldering temperature (body temperature) specified is in accordance with IPC/JEDEC J-STD-020C "Moisture/Reflow Sensitivity Classification for non-hermetic Solid State Surface Mount Devices"

## 6 Electrical Characteristics

$V_{DD}$  = Full Range;  $T_A$  =  $-40^{\circ}$  to  $+85^{\circ}$ C; Unless Otherwise Specified

Table 3. Electrical Characteristics

Parameter	Symbol	Conditions	Min	Typ	Max	Unit
VDD Range	VDD	$T_A = 0$ to $+70^{\circ}$ C	1.0		3.6	V
		$T_A = -40$ to $+85^{\circ}$ C	1.2		3.6	V
Supply Current	IDD	$V_{DD} = 3.3$ V, No Load		150	290	nA
RESET Threshold Voltage <sup>1</sup>	VTH	$T_A = +25^{\circ}$ C	$V_{TH} - 1.5\%$	$V_{TH}$	$V_{TH} + 1.5\%$	V
		$T_A = -40$ to $+85^{\circ}$ C	$V_{TH} - 2.5\%$	$V_{TH}$	$V_{TH} + 2.5\%$	V
VDD to Reset Delay <sup>2</sup>	tRD	$V_{DD} = V_{TH}$ to $(V_{TH} - 100$ mV)		20	50	$\mu$ s
RESET Active Time-Out Period <sup>3</sup>	tTP		tTP - 40%	tTP	tTP + 60%	ms
RESETN Output Voltage (AS1904/AS1906)	VOL	ISINK = 1.2mA, $V_{DD} = 2.1$ V, reset asserted			0.4	V
		ISINK = 400 $\mu$ A, $V_{DD} = 1.2$ V, reset asserted			0.4	V
RESETN Output Voltage (AS1904)	VOH	ISOURCE = 1.2mA, $V_{DD} = 3.2$ V	$0.8 \times V_{DD}$			V
RESET Output Voltage (AS1905)	VOH	ISOURCE = 500 $\mu$ A, $V_{DD} = 2.1$ V, reset asserted	$0.8 \times V_{DD}$			V
		ISOURCE = 100 $\mu$ A, $V_{DD} = 1.2$ V, reset asserted	$0.8 \times V_{DD}$			V
	VOL	ISINK = 1.2mA, $V_{DD} = 3.2$ V, reset not asserted			0.4	V
RESET Threshold Hysteresis	VHYST			10		mV
Open-Drain RESETN Output Leakage Current (AS1906)	I <sub>LEAK</sub>				0.1	$\mu$ A

### Notes:

1 See Table 6, "Coding of Factory-Trimmed Reset Threshold Voltages," on page 6.

2 Guaranteed by design.

3 See Table 4, "Coding of Factory-trimmed Reset Active Time-Out Period," on page 6.

## 7 Typical Operating Characteristics

Figure 3. Supply Current vs. Temperature

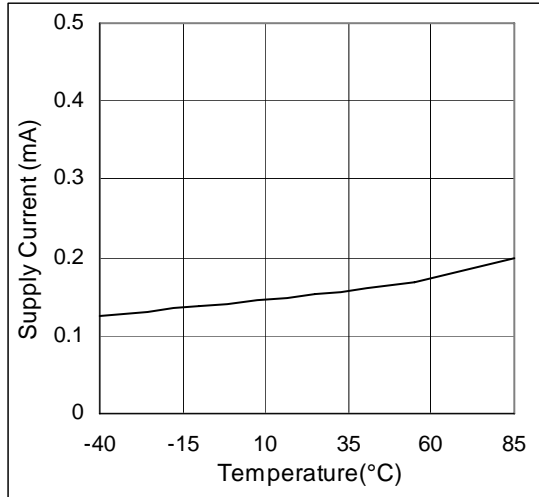


Figure 4. Power Down Reset Delay vs. Temp.

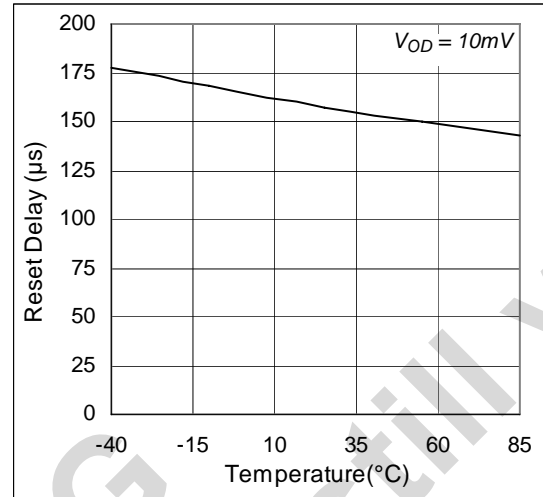


Figure 5. Power-Up Reset Timeout vs. Temperature

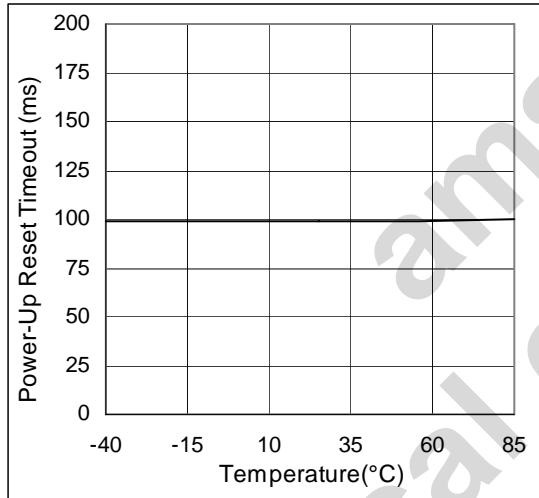
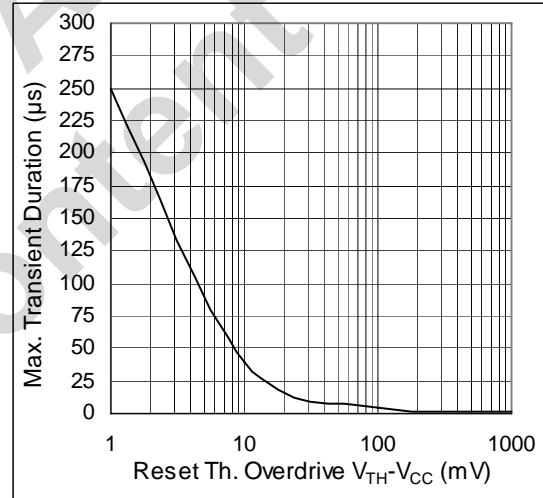


Figure 6. Max. Trans. Duration vs. Reset Th.



Overdrive

## 8 Detailed Description

### Interfacing to Microprocessors with Bi-Directional Reset Pins

The device has an open drain RESETN output, which enables easy interfacing to microprocessors ( $\mu\text{P}$ ) with bi-directional reset pins, such as the Motorola 68HC11. The RESETN pin of the microcontroller ( $\mu\text{C}$ ) can be connected directly to the  $\mu\text{P}$  supervisor's RESETN output with a single pull-up resistor (see Figure 1 on page 1).

### Negative-Going VDD Transients

The device is optimized to ignore short-duration, negative-going VDD transients (glitches) in order to avoid incorrect resets.

In the graph Maximum Transient Duration vs. Reset Threshold Overdrive (page 6), the conditions are shown, for which the reset pulses are not generated. In the graph the maximum pulse width that a negative VDD transient may have when a reset signal is generated. As the amplitude of the transient increases, the maximum allowable pulse width decreases.

### Options

Table 4. Coding of Factory-trimmed Reset Active Time-Out Period

Device	Suffix	tTP in Milliseconds		
		Min	Typ	Max
AS190x_xx	A	3	5	8
AS190x_xx	B	12	20	32
AS190x_xx	C	60	100	160
AS190x_xx	D	300	500	800

Table 5. Output Variants

Device	Output Functionality
AS1904xxx	Active Low (RESETN)
AS1905xxx	Active High (RESET)
AS1906xxx	Open Drain (RESETN)

Table 6. Coding of Factory-Trimmed Reset Threshold Voltages

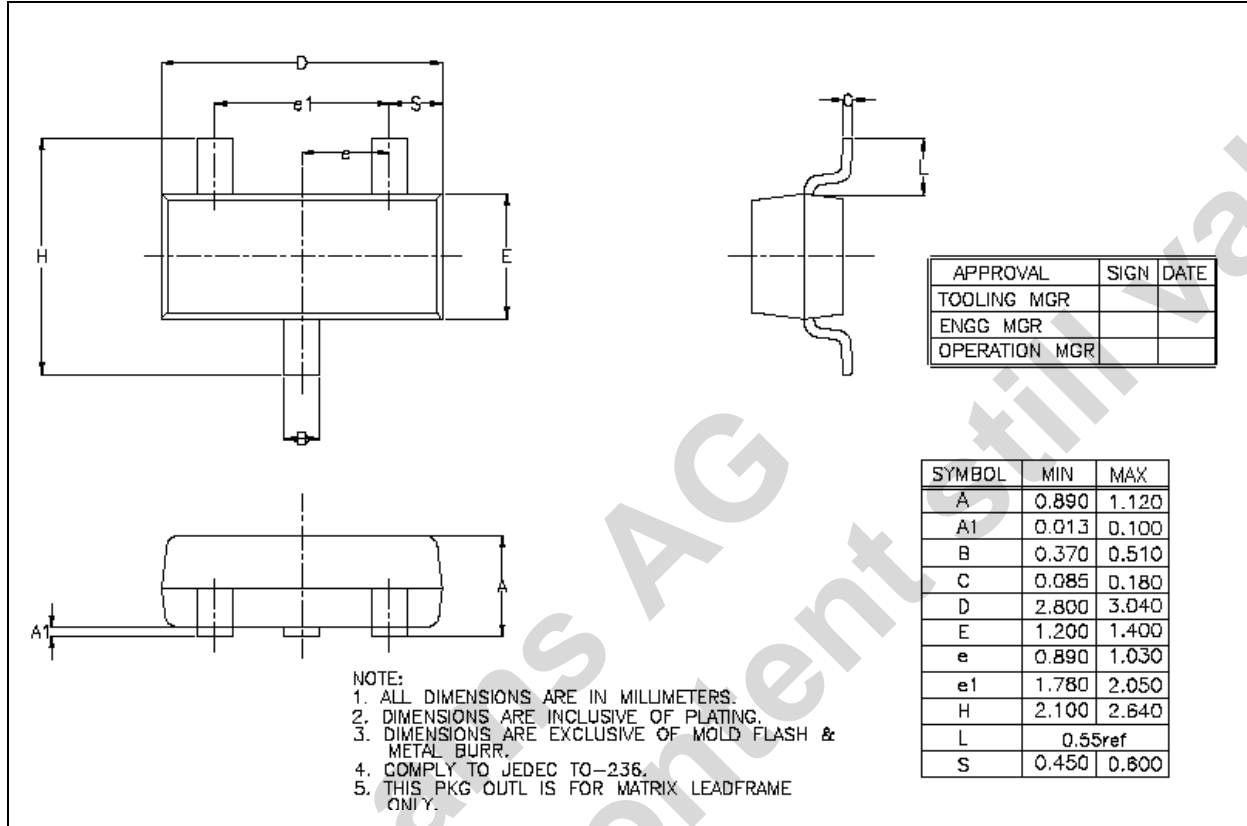
Device	Suffix	Reset Threshold Voltage, $V_{\text{TH}}$ in V				
		$T_A = +25^\circ\text{C}$			$T_A = -40 \text{ to } +85^\circ\text{C}$	
		Min	Typ	Max	Min	Max
AS190xx__	22	2.167	2.2	2.233	2.145	2.255
AS190xx__	23	2.285	2.32	2.355	2.262	2.378
AS190xx__	24	2.364	2.4	2.436	2.340	2.460
AS190xx__	25	2.463	2.5	2.538	2.438	2.563
AS190xx__	26	2.591	2.63	2.669	2.564	2.696
AS190xx__	27	2.660	2.7	2.741	2.633	2.768
AS190xx__	28	2.758	2.8	2.842	2.730	2.870
AS190xx__	29	2.886	2.93	2.974	2.857	3.003
AS190xx__	30	2.955	3.0	3.045	2.925	3.075
AS190xx__	31	3.034	3.08	3.126	3.003	3.157



## 9 Package Drawings and Markings

The device is available in a 3-pin SOT-23 package.

Figure 7. 3-Pin SOT-23 Package.



## 10 Ordering Information

The device is available in the following standard versions.

Standard Part	Threshold (V)	Duration (mS)	Marking
AS1904C23	2.32	100	ASGI
AS1904C26	2.63	100	ASDB
AS1904C31	3.08	100	ASDG
AS1905C23	2.32	100	ASDI
AS1905C26	2.63	100	ASDL
AS1905C31	3.08	100	ASDQ
AS1906C23	2.32	100	ASDS
AS1906C26	2.63	100	ASDV
AS1906C28	2.8	100	ASDX
AS1906C31	3.08	100	ASGK

Non-standard versions require a minimum order of 30,000 units. Contact austriamicrosystems for availability of non-standard versions.

## Copyrights

Copyright © 1997-2007, austriamicrosystems AG, Schloss Premstaetten, 8141 Unterpremstaetten, Austria-Europe. Trademarks Registered ®. All rights reserved. The material herein may not be reproduced, adapted, merged, translated, stored, or used without the prior written consent of the copyright owner.

All products and companies mentioned are trademarks or registered trademarks of their respective companies.

## Disclaimer

Devices sold by austriamicrosystems AG are covered by the warranty and patent indemnification provisions appearing in its Term of Sale. austriamicrosystems AG makes no warranty, express, statutory, implied, or by description regarding the information set forth herein or regarding the freedom of the described devices from patent infringement. austriamicrosystems AG reserves the right to change specifications and prices at any time and without notice. Therefore, prior to designing this product into a system, it is necessary to check with austriamicrosystems AG for current information. This product is intended for use in normal commercial applications. Applications requiring extended temperature range, unusual environmental requirements, or high reliability applications, such as military, medical life-support or life-sustaining equipment are specifically not recommended without additional processing by austriamicrosystems AG for each application. For shipments of less than 100 parts the manufacturing flow might show deviations from the standard production flow, such as test flow or test location.

The information furnished here by austriamicrosystems AG is believed to be correct and accurate. However, austriamicrosystems AG shall not be liable to recipient or any third party for any damages, including but not limited to personal injury, property damage, loss of profits, loss of use, interruption of business or indirect, special, incidental or consequential damages, of any kind, in connection with or arising out of the furnishing, performance or use of the technical data herein. No obligation or liability to recipient or any third party shall arise or flow out of austriamicrosystems AG rendering of technical or other services.



## Contact Information

### Headquarters

austriamicrosystems AG  
A-8141 Schloss Premstaetten, Austria

Tel: +43 (0) 3136 500 0

Fax: +43 (0) 3136 525 01

For Sales Offices, Distributors and Representatives, please visit:

<http://www.austriamicrosystems.com/contact>