

阅读申明

- 1.本站收集的数据手册和产品资料都来自互联网，版权归原作者所有。如读者和版权方有任何异议请及时告之，我们将妥善解决。
- 2.本站提供的中文数据手册是英文数据手册的中文翻译，其目的是协助用户阅读，该译文无法自动跟随原稿更新，同时也可能存在翻译上的不当。建议读者以英文原稿为参考以便获得更精准的信息。
- 3.本站提供的产品资料，来自厂商的技术支持或者使用者的心得体会等，其内容可能存在描述上的差异，建议读者做出适当判断。
- 4.如需与我们联系，请发邮件到marketing@iczoom.com，主题请标有“数据手册”字样。

Read Statement

1. The datasheets and other product information on the site are all from network reference or other public materials, and the copyright belongs to the original author and original published source. If readers and copyright owners have any objections, please contact us and we will deal with it in a timely manner.
2. The Chinese datasheets provided on the website is a Chinese translation of the English datasheets. Its purpose is for reader's learning exchange only and do not involve commercial purposes. The translation cannot be automatically updated with the original manuscript, and there may also be improper translations. Readers are advised to use the English manuscript as a reference for more accurate information.
3. All product information provided on the website refer to solutions from manufacturers' technical support or users the contents may have differences in description, and readers are advised to take the original article as the standard.
4. If you have any questions, please contact us at marketing@iczoom.com and mark the subject with "Datasheets" .

FIXED PRINTED CIRCUIT US Pin Spacing^a Tubular Screw Clamp

For wire-to-board connections in lighter duty applications with strict budgets and where infrequent wire terminations are expected.

The AK(Z)110 is available in Top Wire Entry. Please contact Altech for information.

- Multipole, Modular Design
- Wire Protector Standard
- Housing Material: Polyamide 6.6
- Standard Color: Gray



AKZ500
Front Wire Entry

Pin Spacing 5.08mm (.200)
Stripping Length 6mm (.236)
Screw Hole Diameter 3mm (.118)



AK(Z)505
Top Wire Entry

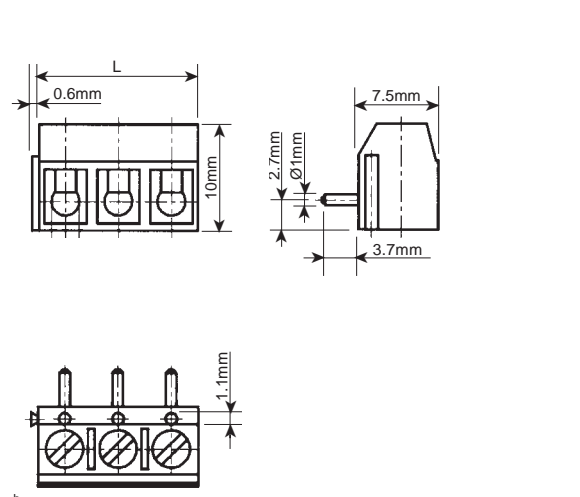
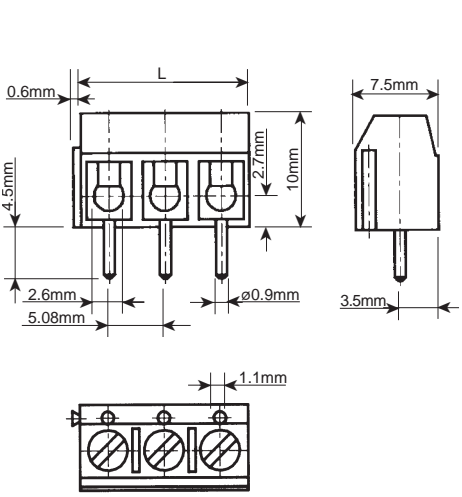
Pin Spacing 5mm (.197)^b
Stripping Length 5mm (.197)
Screw Hole Diameter 3mm (.118)

^aBlocks with metric pin spacing begin on page 132.

| Ratings | | Wire Range | Current | Voltage | Wire Range | Current | Voltage |
|------------------------|--|------------------------|---------|---------|------------------------|---------|---------|
| IEC/VDE | | 0.5-1.5mm ² | 16A | 250V | 0.5-1.5mm ² | 16A | 250V |
| UL (File No. E101811) | | 22-14 AWG | 15A | 300V | 22-14 AWG | 15A | 300V |
| CSA (File No. LR68503) | | 22-14 AWG | 15A | 300V | 22-14 AWG | 15A | 300V |

| Ordering Information | No. of Poles | Type | Cat. No. | Length L mm (in.) | Std. Pk. | Type | Cat. No. | Length L mm (in.) | Std. Pk. |
|---------------------------------------|--------------|-------------|----------|-------------------|----------|--------------|----------|-------------------|----------|
| Terminal Block, US (Inch) Pin Spacing | 2 | AKZ500/2wp | 34.102 | 10.16 (.40) | 100 | AK(Z)505/2wp | 30.752 | 10.00 (.39) | 100 |
| | 3 | AKZ500/3wp | 34.103 | 15.24 (.60) | 100 | AK(Z)505/3wp | 30.753 | 15.00 (.59) | 100 |
| | 4 | AKZ500/4wp | 34.104 | 20.32 (.80) | 50 | AK(Z)505/4wp | 30.754 | 20.00 (.79) | 50 |
| | 5 | AKZ500/5wp | 34.105 | 25.40 (1.00) | 50 | AK(Z)505/5wp | 30.755 | 25.00 (.99) | 50 |
| | 6 | AKZ500/6wp | 34.106 | 30.48 (1.20) | 50 | AK(Z)505/6wp | 30.756 | 30.00 (1.18) | 50 |
| | 7 | AKZ500/7wp | 34.107 | 35.56 (1.40) | 30 | | | | |
| | 8 | AKZ500/8wp | 34.108 | 40.64 (1.60) | 30 | | | | |
| | 9 | AKZ500/9wp | 34.109 | 45.72 (1.80) | 30 | | | | |
| | 10 | AKZ500/10wp | 34.110 | 50.80 (2.00) | 30 | | | | |
| | 11 | AKZ500/11wp | 34.111 | 55.88 (2.20) | 20 | | | | |
| | 12 | AKZ500/12wp | 34.112 | 60.98 (2.40) | 20 | | | | |
| | 13 | AKZ500/13wp | 34.113 | 66.04 (2.60) | 20 | | | | |
| | 14 | AKZ500/14wp | 34.114 | 71.14 (2.80) | 20 | | | | |
| | 15 | AKZ500/15wp | 34.115 | 76.20 (3.00) | 20 | | | | |
| | 16 | AKZ500/16wp | 34.116 | 81.28 (3.20) | 15 | | | | |
| | 17 | AKZ500/17wp | 34.117 | 86.36 (3.40) | 15 | | | | |
| | 18 | AKZ500/18wp | 34.118 | 91.44 (3.60) | 15 | | | | |
| | 19 | AKZ500/19wp | 34.119 | 96.52 (3.80) | 15 | | | | |
| | 20 | AKZ500/20wp | 34.120 | 101.60 (4.00) | 15 | | | | |
| | 21 | AKZ500/21wp | 34.121 | 106.68 (4.20) | 10 | | | | |
| | 22 | AKZ500/22wp | 34.122 | 111.76 (4.40) | 10 | | | | |
| | 23 | AKZ500/23wp | 34.123 | 116.84 (4.60) | 10 | | | | |
| | 24 | AKZ500/24wp | 34.124 | 121.92 (4.80) | 10 | | | | |

| Dimensions | | | |
|------------|-------|-------|-------|
| mm | in. | mm | in. |
| 0.60 | 0.024 | 3.70 | 0.146 |
| 0.70 | 0.028 | 3.90 | 0.154 |
| 0.90 | 0.035 | 4.00 | 0.157 |
| 1.00 | 0.039 | 4.50 | 0.177 |
| 1.10 | 0.043 | 5.08 | 0.200 |
| 2.00 | 0.079 | 7.50 | 0.295 |
| 2.60 | 0.102 | 9.00 | 0.354 |
| 2.70 | 0.106 | 10.00 | 0.394 |
| 3.10 | 0.122 | 12.50 | 0.492 |
| 3.40 | 0.134 | 13.00 | 0.512 |
| 3.50 | 0.138 | | |



^bAppropriate for use in US (inch) pin spacings up to the number of poles shown.



AKZ120 Front Wire Entry

Pin Spacing 5.08mm (.200)
Stripping Length 7mm (.276)
Screw Hole Diameter 3.5mm (.138)

| Wire Range | Current | Voltage |
|------------------------|---------|---------|
| 0.5-2.5mm ² | 16A | 250V |
| 22-14 AWG | 15A | 300V |
| 22-14 AWG | 15A | 300V |

| Type | Cat. No. | Length L mm (in.) | Std. Pk. |
|-------------|----------|----------------------|----------|
| AKZ120/2wp | 30.202 | 10.16 (.40) | 100 |
| AKZ120/3wp | 30.203 | 15.24 (.60) | 100 |
| AKZ120/4wp | 30.204 | 20.32 (.80) | 50 |
| AKZ120/5wp | 30.205 | 25.40 (1.00) | 50 |
| AKZ120/6wp | 30.206 | 30.48 (1.20) | 50 |
| AKZ120/7wp | 30.207 | 35.56 (1.40) | 30 |
| AKZ120/8wp | 30.208 | 40.64 (1.60) | 30 |
| AKZ120/9wp | 30.209 | 45.72 (1.80) | 30 |
| AKZ120/10wp | 30.210 | 50.80 (2.00) | 30 |
| AKZ120/11wp | 30.211 | 55.88 (2.20) | 20 |
| AKZ120/12wp | 30.212 | 60.98 (2.40) | 20 |
| AKZ120/13wp | 30.213 | 66.04 (2.60) | 20 |
| AKZ120/14wp | 30.214 | 71.14 (2.80) | 20 |
| AKZ120/15wp | 30.215 | 76.20 (3.00) | 20 |
| AKZ120/16wp | 30.216 | 81.28 (3.20) | 15 |
| AKZ120/17wp | 30.217 | 86.36 (3.40) | 15 |
| AKZ120/18wp | 30.218 | 91.44 (3.60) | 15 |
| AKZ120/19wp | 30.219 | 96.52 (3.80) | 15 |
| AKZ120/20wp | 30.220 | 101.60 (4.00) | 15 |
| AKZ120/21wp | 30.221 | 106.68 (4.20) | 10 |
| AKZ120/22wp | 30.222 | 111.76 (4.40) | 10 |
| AKZ120/23wp | 30.223 | 116.84 (4.60) | 10 |
| AKZ120/24wp | 30.224 | 121.92 (4.80) | 10 |



AKZ125 Top Wire Entry

Pin Spacing 5.08mm (.200)
Stripping Length 6mm (.236)
Screw Hole Diameter 3.5mm (.138)

| Wire Range | Current | Voltage |
|------------------------|---------|---------|
| 0.5-2.5mm ² | 16A | 250V |
| 22-14 AWG | 15A | 300V |
| 22-14 AWG | 15A | 300V |

| Type | Cat. No. | Length L mm (in.) | Std. Pk. |
|-------------|----------|----------------------|----------|
| AKZ125/2wp | 30.252 | 10.16 (.40) | 100 |
| AKZ125/3wp | 30.253 | 15.24 (.60) | 100 |
| AKZ125/4wp | 30.254 | 20.32 (.80) | 50 |
| AKZ125/5wp | 30.255 | 25.40 (1.00) | 50 |
| AKZ125/6wp | 30.256 | 30.48 (1.20) | 50 |
| AKZ125/7wp | 30.257 | 35.56 (1.40) | 30 |
| AKZ125/8wp | 30.258 | 40.64 (1.60) | 30 |
| AKZ125/9wp | 30.259 | 45.72 (1.80) | 30 |
| AKZ125/10wp | 30.260 | 50.80 (2.00) | 30 |
| AKZ125/11wp | 30.261 | 55.88 (2.20) | 20 |
| AKZ125/12wp | 30.262 | 60.98 (2.40) | 20 |
| AKZ125/13wp | 30.263 | 66.04 (2.60) | 20 |
| AKZ125/14wp | 30.264 | 71.14 (2.80) | 20 |
| AKZ125/15wp | 30.265 | 76.20 (3.00) | 20 |
| AKZ125/16wp | 30.266 | 81.28 (3.20) | 15 |
| AKZ125/17wp | 30.267 | 86.36 (3.40) | 15 |
| AKZ125/18wp | 30.268 | 91.44 (3.60) | 15 |
| AKZ125/19wp | 30.269 | 96.52 (3.80) | 15 |
| AKZ125/20wp | 30.270 | 101.60 (4.00) | 15 |
| AKZ125/21wp | 30.271 | 106.68 (4.20) | 10 |
| AKZ125/22wp | 30.272 | 111.76 (4.40) | 10 |
| AKZ125/23wp | 30.273 | 116.84 (4.60) | 10 |
| AKZ125/24wp | 30.274 | 121.92 (4.80) | 10 |

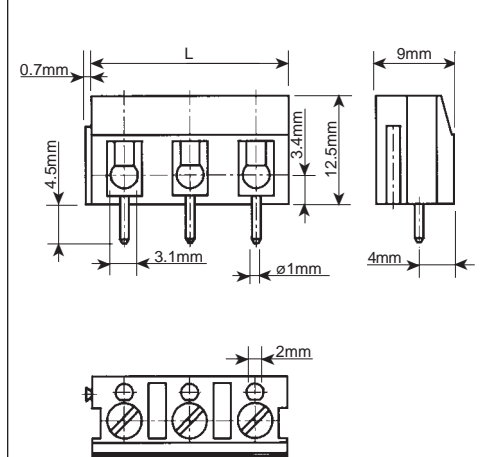
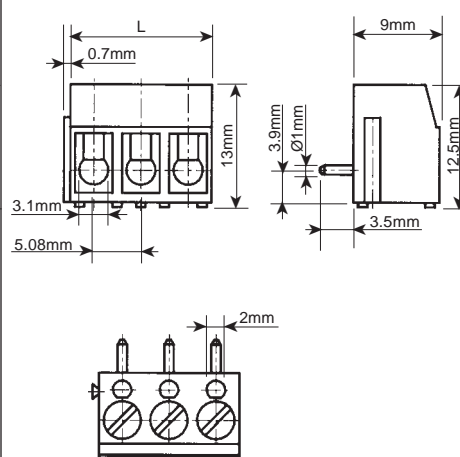
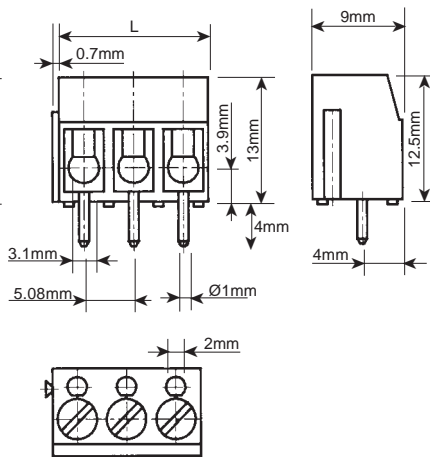


AK(Z)110 Front Wire Entry

Pin Spacing 7.5mm (.295)[°]
Stripping Length 6mm (.236)
Screw Hole Diameter 3.5mm (.138)

| Wire Range | Current | Voltage |
|------------------------|---------|---------|
| 0.5-2.5mm ² | 16A | 500V |
| 22-14 AWG | 15A | 300V |
| 22-14 AWG | 15A | 300V |

| Type | Cat. No. | Length L mm (in.) | Std. Pk. |
|--------------|----------|----------------------|----------|
| AK(Z)110/2wp | 30.102 | 15.00 (.59) | 100 |
| AK(Z)110/3wp | 30.103 | 22.50 (.89) | 100 |
| AK(Z)110/4wp | 30.104 | 30.00 (1.18) | 50 |
| AK(Z)110/5wp | 30.105 | 37.50 (1.48) | 50 |



[°]Appropriate for use in US (inch) pin spacings up to the number of poles shown providing minimum PC Board Hole Size is 1.5mm(.059 in.)

FIXED PRINTED CIRCUIT US Pin Spacing^a Screw-Cage Clamp

For wire-to-board connections in industrial applications and where frequent wire terminations occur.

- Multipole, Modular Design
- Housing Material: Polyamide 6.6
- Standard Color: AKZ300 is Gray, all others are green

NEW



AKZ300 45° Wire Entry

Pin Spacing 5.08mm (.200)
Stripping Length 7mm (.276)
Screw Hole Diameter 3.5mm (.138)

Minimum clearance, small footprint conserves valuable PCB real estate



AKZ250 Front Wire Entry

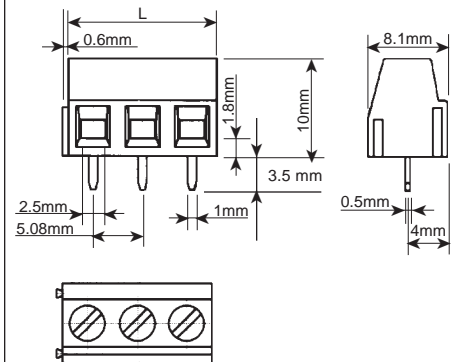
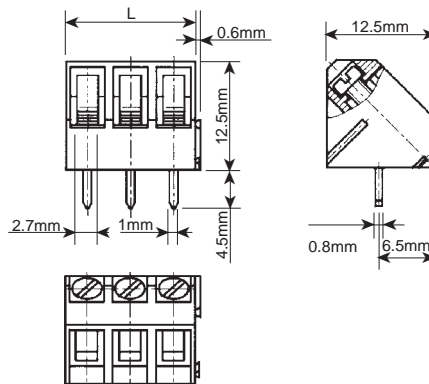
Pin Spacing 5.08mm (.200)
Stripping Length 7mm (.276)
Screw Hole Diameter 3.5mm (.138)

^aBlocks with metric pin spacing begin on page 132.

| Ratings | | Wire Range | Current | Voltage | Wire Range | Current | Voltage |
|-----------------------|--|------------------------|---------|---------|------------------------|---------|---------|
| IEC/VDE | | 0.5-2.5mm ² | 16A | 250V | 0.5-1.5mm ² | 16A | 250V |
| UL (File No. E101811) | | 22-12 AWG | 15A | 300V | 28-14 AWG | 15A | 300V |
| CS (File No. LR68503) | | 22-12 AWG | 15A | 300V | 28-14 AWG | 10A | 300V |

| Ordering Information | | Poles | Type | Cat. No. | Length L mm (in.) | Std. Pk. | Type | Cat. No. | Length L mm (in.) | Std. Pk. |
|---------------------------------------|-----------|--------|---------------|----------|----------------------|----------|---------------|----------|----------------------|----------|
| Terminal Block, US (Inch) Pin Spacing | | 2 | AKZ300/2 | 30.652 | 10.16 (.40) | 100 | AKZ250/2 | 32.402 | 10.16 (.40) | 100 |
| | | 3 | AKZ300/3 | 30.653 | 15.24 (.60) | 100 | AKZ250/3 | 32.403 | 15.24 (.60) | 100 |
| | | 4 | AKZ300/4 | 30.654 | 20.32 (.80) | 50 | AKZ250/4 | 32.404 | 20.32 (.80) | 50 |
| | | 5 | AKZ300/5 | 30.655 | 25.40 (1.00) | 50 | AKZ250/5 | 32.405 | 25.40 (1.00) | 50 |
| | | 6 | AKZ300/6 | 30.656 | 30.48 (1.20) | 50 | AKZ250/6 | 32.406 | 30.48 (1.20) | 50 |
| | | 7 | AKZ300/7 | 30.657 | 36.56 (1.40) | 30 | AKZ250/7 | 32.407 | 35.56 (1.40) | 30 |
| | | 8 | AKZ300/8 | 30.658 | 40.64 (1.60) | 30 | AKZ250/8 | 32.408 | 40.64 (1.60) | 30 |
| | | 9 | AKZ300/9 | 30.659 | 45.72 (1.80) | 30 | AKZ250/9 | 32.409 | 45.72 (1.80) | 30 |
| | | 10 | AKZ300/10 | 30.660 | 50.80 (2.00) | 30 | AKZ250/10 | 32.410 | 50.80 (2.00) | 30 |
| | | 11 | AKZ300/11 | 30.661 | 55.88 (2.20) | 20 | AKZ250/11 | 32.411 | 55.88 (2.20) | 20 |
| | | 12 | AKZ300/12 | 30.662 | 60.96 (2.40) | 20 | AKZ250/12 | 32.412 | 60.96 (2.40) | 20 |
| | | 13 | AKZ300/13 | 30.663 | 66.04 (2.60) | 20 | AKZ250/13 | 32.413 | 66.04 (2.60) | 20 |
| | | 14 | AKZ300/14 | 30.664 | 71.12 (2.80) | 20 | AKZ250/14 | 32.414 | 71.12 (2.80) | 20 |
| | | 15 | AKZ300/15 | 30.665 | 76.20 (3.00) | 20 | AKZ250/15 | 32.415 | 76.20 (3.00) | 20 |
| | | 16 | AKZ300/16 | 30.666 | 81.28 (3.20) | 15 | AKZ250/16 | 32.416 | 81.28 (3.20) | 15 |
| | | 17 | AKZ300/17 | 30.667 | 86.36 (3.40) | 15 | AKZ250/17 | 32.417 | 86.36 (3.40) | 15 |
| | | 18 | AKZ300/18 | 30.668 | 91.44 (3.60) | 15 | AKZ250/18 | 32.418 | 91.44 (3.60) | 15 |
| | | 19 | AKZ300/19 | 30.669 | 96.52 (3.80) | 15 | AKZ250/19 | 32.419 | 96.52 (3.80) | 15 |
| | | 20 | AKZ300/20 | 30.670 | 101.60 (4.00) | 15 | AKZ250/20 | 32.420 | 101.60 (4.00) | 15 |
| 21 | AKZ300/21 | 30.671 | 106.68 (4.20) | 10 | AKZ250/21 | 32.421 | 106.68 (4.20) | 10 | | |
| 22 | AKZ300/22 | 30.672 | 111.76 (4.40) | 10 | AKZ250/22 | 32.422 | 111.76 (4.40) | 10 | | |
| 23 | AKZ300/23 | 30.673 | 116.84 (4.60) | 10 | AKZ250/23 | 32.423 | 116.84 (4.60) | 10 | | |
| 24 | AKZ300/24 | 30.674 | 121.92 (4.80) | 10 | AKZ250/24 | 32.424 | 121.92 (4.80) | 10 | | |

| Dimensions | | | |
|------------|-------|-------|-------|
| mm | in. | mm | in. |
| 0.50 | 0.020 | 4.50 | 0.177 |
| 0.60 | 0.024 | 5.00 | 0.197 |
| 0.80 | 0.031 | 5.08 | 0.200 |
| 0.90 | 0.035 | 6.50 | 0.256 |
| 1.00 | 0.039 | 8.10 | 0.319 |
| 1.80 | 0.071 | 9.00 | 0.354 |
| 2.50 | 0.098 | 10.00 | 0.394 |
| 2.70 | 0.106 | 10.50 | 0.413 |
| 3.00 | 0.118 | 12.50 | 0.492 |
| 3.50 | 0.138 | 13.50 | 0.531 |
| 4.00 | 0.157 | 15.24 | 0.600 |
| 4.40 | 0.173 | 19.00 | 0.748 |





AKZ350 Front Wire Entry

Pin Spacing 5.08mm (.200)
Stripping Length 6mm (.236)
Screw Hole Diameter 3.5mm (.138)

| Wire Range | Current | Voltage |
|------------------------|---------|---------|
| 0.5-2.5mm ² | 16A | 250V |
| 22-12 AWG | 16A | 300V |
| 28-14 AWG | 16A | 300V |

| Type | Cat. No. | Length L mm (in.) | Std. Pk. |
|-----------|----------|----------------------|----------|
| AKZ350/2 | 32.052 | 10.16 (.40) | 100 |
| AKZ350/3 | 32.053 | 15.24 (.60) | 100 |
| AKZ350/4 | 32.054 | 20.32 (.80) | 50 |
| AKZ350/5 | 32.055 | 25.40 (1.00) | 50 |
| AKZ350/6 | 32.056 | 30.48 (1.20) | 50 |
| AKZ350/7 | 32.057 | 35.56 (1.40) | 30 |
| AKZ350/8 | 32.058 | 40.64 (1.60) | 30 |
| AKZ350/9 | 32.059 | 45.72 (1.80) | 30 |
| AKZ350/10 | 32.060 | 50.80 (2.00) | 30 |
| AKZ350/11 | 32.061 | 55.88 (2.20) | 20 |
| AKZ350/12 | 32.062 | 60.96 (2.40) | 20 |
| AKZ350/13 | 32.063 | 66.04 (2.60) | 20 |
| AKZ350/14 | 32.064 | 71.12 (2.80) | 20 |
| AKZ350/15 | 32.065 | 76.20 (3.00) | 20 |
| AKZ350/16 | 32.066 | 81.28 (3.20) | 15 |
| AKZ350/17 | 32.067 | 86.36 (3.40) | 15 |
| AKZ350/18 | 32.068 | 91.44 (3.60) | 15 |
| AKZ350/19 | 32.069 | 96.52 (3.80) | 15 |
| AKZ350/20 | 32.070 | 101.60 (4.00) | 15 |
| AKZ350/21 | 32.071 | 106.68 (4.20) | 10 |
| AKZ350/22 | 32.072 | 111.76 (4.40) | 10 |
| AKZ350/23 | 32.073 | 116.84 (4.60) | 10 |
| AKZ350/24 | 32.074 | 121.92 (4.80) | 10 |



AKZ351 Front Wire Entry

Pin Spacing 5.08mm (.200)
Stripping Length 6mm (.236)
Screw Hole Diameter 3.5mm (.138)

| Wire Range | Current | Voltage |
|------------------------|---------|---------|
| 0.5-2.5mm ² | 16A | 250V |
| 22-12 AWG | 16A | 300V |
| 28-14 AWG | 16A | 300V |

| Type | Cat. No. | Length L mm (in.) | Std. Pk. |
|-----------|----------|----------------------|----------|
| AKZ351/2 | 33.052 | 10.16 (.40) | 100 |
| AKZ351/3 | 33.053 | 15.24 (.60) | 100 |
| AKZ351/4 | 33.054 | 20.32 (.80) | 50 |
| AKZ351/5 | 33.055 | 25.40 (1.00) | 50 |
| AKZ351/6 | 33.056 | 30.48 (1.20) | 50 |
| AKZ351/7 | 33.057 | 35.56 (1.40) | 30 |
| AKZ351/8 | 33.058 | 40.64 (1.60) | 30 |
| AKZ351/9 | 33.059 | 45.72 (1.80) | 30 |
| AKZ351/10 | 33.060 | 50.80 (2.00) | 30 |
| AKZ351/11 | 33.061 | 55.88 (2.20) | 20 |
| AKZ351/12 | 33.062 | 60.96 (2.40) | 20 |
| AKZ351/13 | 33.063 | 66.04 (2.60) | 20 |
| AKZ351/14 | 33.064 | 71.14 (2.80) | 20 |
| AKZ351/15 | 33.065 | 76.20 (3.00) | 20 |
| AKZ351/16 | 33.066 | 81.28 (3.20) | 15 |
| AKZ351/17 | 33.067 | 86.36 (3.40) | 15 |
| AKZ351/18 | 33.068 | 91.44 (3.60) | 15 |
| AKZ351/19 | 33.069 | 96.52 (3.80) | 15 |
| AKZ351/20 | 33.070 | 101.60 (4.00) | 15 |
| AKZ351/21 | 33.071 | 106.68 (4.20) | 10 |
| AKZ351/22 | 33.072 | 111.76 (4.40) | 10 |
| AKZ351/23 | 33.073 | 116.84 (4.60) | 10 |
| AKZ351/24 | 33.074 | 121.92 (4.80) | 10 |

Test probe slot openings on back
for access to pins

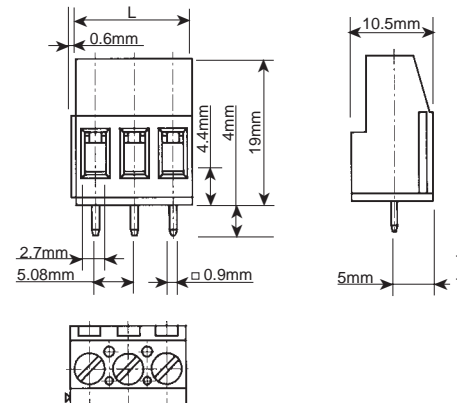
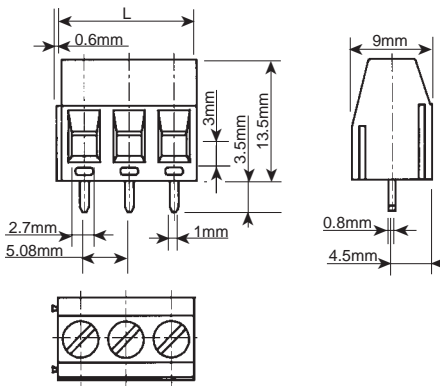
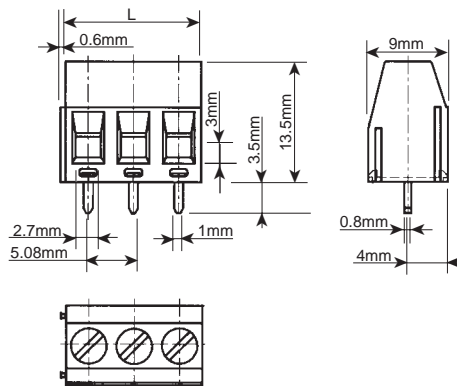


AKZ700 Front Wire Entry

Pin Spacing 5.08mm (.200)
Stripping Length 8mm (.315)
Screw Hole Diameter 3mm (.118)

| Wire Range | Current | Voltage |
|----------------------|---------|---------|
| 0.5-4mm ² | 16A | 250V |
| 22-12 AWG | 15A | 300V |
| 22-12 AWG | 15A | 300V |

| Type | Cat. No. | Length L mm (in.) | Std. Pk. |
|-----------|----------|----------------------|----------|
| AKZ700/2 | 30.852 | 10.16 (.40) | 100 |
| AKZ700/3 | 30.853 | 15.24 (.60) | 100 |
| AKZ700/4 | 30.854 | 20.32 (.80) | 50 |
| AKZ700/5 | 30.855 | 25.40 (1.00) | 50 |
| AKZ700/6 | 30.856 | 30.48 (1.20) | 50 |
| AKZ700/7 | 30.857 | 35.56 (1.40) | 30 |
| AKZ700/8 | 30.858 | 40.64 (1.60) | 30 |
| AKZ700/9 | 30.859 | 45.72 (1.80) | 30 |
| AKZ700/10 | 30.860 | 50.80 (2.00) | 30 |
| AKZ700/11 | 30.861 | 55.88 (2.20) | 20 |
| AKZ700/12 | 30.862 | 60.96 (2.40) | 20 |
| AKZ700/13 | 30.863 | 66.04 (2.60) | 20 |
| AKZ700/14 | 30.864 | 71.12 (2.80) | 20 |
| AKZ700/15 | 30.865 | 76.20 (3.00) | 20 |
| AKZ700/16 | 30.866 | 81.28 (3.20) | 15 |
| AKZ700/17 | 30.867 | 86.36 (3.40) | 15 |
| AKZ700/18 | 30.868 | 91.44 (3.60) | 15 |
| AKZ700/19 | 30.869 | 96.52 (3.80) | 15 |
| AKZ700/20 | 30.870 | 101.60 (4.00) | 15 |
| AKZ700/21 | 30.871 | 106.68 (4.20) | 10 |
| AKZ700/22 | 30.872 | 111.76 (4.40) | 10 |
| AKZ700/23 | 30.873 | 116.84 (4.60) | 10 |
| AKZ700/24 | 30.874 | 121.92 (4.80) | 10 |



FIXED PRINTED CIRCUIT DOUBLE AND SINGLE LEVEL US Pin Spacing^a Screw-Cage Clamp

For wire-to-board connections in industrial applications and where frequent wire terminations occur.

Use Double Level where space requirements call for high density wiring.

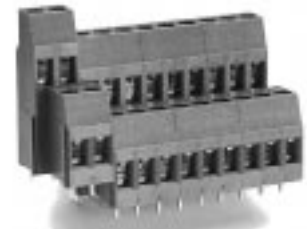
- Multipole, Modular Design
- Housing Material: Polyamide 6.6
- Standard Color: Green

^aBlocks with metric pin spacing begin on page 132.



AKZ705
Top Wire Entry

Pin Spacing 5.08mm (.200)
Stripping Length 8mm (.315)
Screw Hole Diameter 3mm (.118)



AKZ750
Front Wire Entry

Pin Spacing 5.08mm (.200)
Stripping Length 8mm (.315)
Screw Hole Diameter 4mm (.158)

Ratings

IEC/VDE
UL (File No. E101811)
CSA (File No. LR68503)

| Wire Range | Current | Voltage |
|----------------------|---------|---------|
| 0.5-4mm ² | 16A | 250V |
| 22-12 AWG | 15A | 300V |
| 22-12 AWG | 15A | 300V |

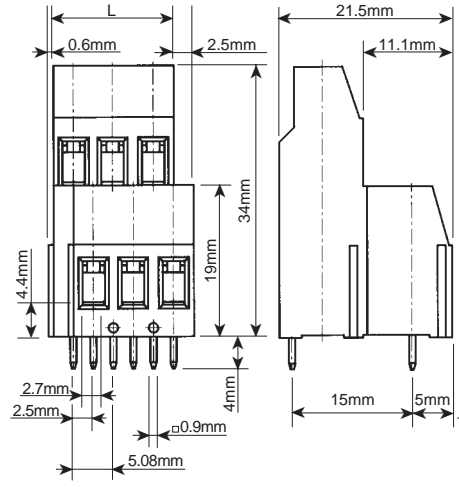
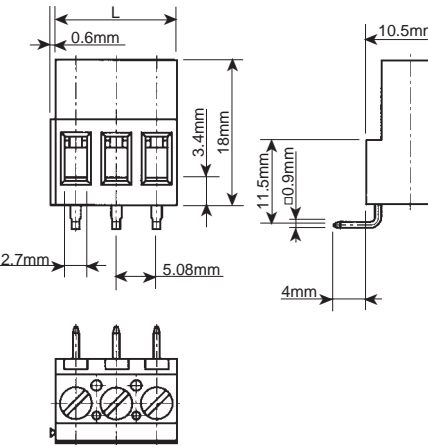
| Wire Range | Current | Voltage |
|----------------------|---------|---------|
| 0.5-4mm ² | 16A | 250V |
| 22-12 AWG | 15A | 300V |
| 22-12 AWG | 15A | 300V |

| Ordering Information | No. of Poles AKZ750 AKZ850 | No. of Poles AKZ705 AKZ710 AKZ800 | Terminal Block, US (Inch) Pin Spacing | | | |
|----------------------|----------------------------------|--|---------------------------------------|----------|-------------------|----------|
| | | | Type | Cat. No. | Length L mm (in.) | Std. Pk. |
| | 4 | 2 | AKZ705/2 | 35.152 | 10.16 (.40) | 100 |
| | 6 | 3 | AKZ705/3 | 35.153 | 15.24 (.60) | 100 |
| | 8 | 4 | AKZ705/4 | 35.154 | 20.32 (.80) | 50 |
| | 10 | 5 | AKZ705/5 | 35.155 | 25.40 (1.00) | 50 |
| | 12 | 6 | AKZ705/6 | 35.156 | 30.48 (1.20) | 50 |
| | 14 | 7 | AKZ705/7 | 35.157 | 35.56 (1.40) | 30 |
| | 16 | 8 | AKZ705/8 | 35.158 | 40.64 (1.60) | 30 |
| | 18 | 9 | AKZ705/9 | 35.159 | 45.72 (1.80) | 30 |
| | 20 | 10 | AKZ705/10 | 35.160 | 50.80 (2.00) | 30 |
| | 22 | 11 | AKZ705/11 | 35.161 | 55.88 (2.20) | 20 |
| | 24 | 12 | AKZ705/12 | 35.162 | 60.96 (2.40) | 20 |
| | 26 | 13 | AKZ705/13 | 35.163 | 66.04 (2.60) | 20 |
| | 28 | 14 | AKZ705/14 | 35.164 | 71.12 (2.80) | 20 |
| | 30 | 15 | AKZ705/15 | 35.165 | 76.20 (3.00) | 20 |
| | 32 | 16 | AKZ705/16 | 35.166 | 81.28 (3.20) | 15 |
| | 34 | 17 | AKZ705/17 | 35.167 | 86.36 (3.40) | 15 |
| | 36 | 18 | AKZ705/18 | 35.168 | 91.44 (3.60) | 15 |
| | 38 | 19 | AKZ705/19 | 35.169 | 96.52 (3.80) | 15 |
| | 40 | 20 | AKZ705/20 | 35.170 | 101.60 (4.00) | 15 |
| | 42 | 21 | AKZ705/21 | 35.171 | 106.68 (4.20) | 10 |
| | 44 | 22 | AKZ705/22 | 35.172 | 111.76 (4.40) | 10 |
| | 46 | 23 | AKZ705/23 | 35.173 | 116.84 (4.60) | 10 |
| | 48 | 24 | AKZ705/24 | 35.174 | 121.92 (4.80) | 10 |
| | 50 | | | | | |

| Type | Cat. No. | Length L mm (in.) | Std. Pk. |
|-----------|----------|-------------------|----------|
| AKZ750/4 | 34.004 | 12.70 (.50) | 50 |
| AKZ750/6 | 34.006 | 17.78 (.70) | 50 |
| AKZ750/8 | 34.008 | 22.86 (.90) | 25 |
| AKZ750/10 | 34.010 | 27.94 (1.10) | 25 |
| AKZ750/12 | 34.012 | 33.02 (1.30) | 25 |
| AKZ750/14 | 34.014 | 38.10 (1.50) | 15 |
| AKZ750/16 | 34.016 | 43.18 (1.70) | 15 |
| AKZ750/18 | 34.018 | 48.26 (1.90) | 15 |
| AKZ750/20 | 34.020 | 53.34 (2.10) | 15 |
| AKZ750/22 | 34.022 | 58.42 (2.30) | 10 |
| AKZ750/24 | 34.024 | 63.50 (2.50) | 10 |
| AKZ750/26 | 34.026 | 68.58 (2.70) | 10 |
| AKZ750/28 | 34.028 | 73.66 (2.90) | 10 |
| AKZ750/30 | 34.030 | 78.74 (3.10) | 10 |
| AKZ750/32 | 34.032 | 83.82 (3.30) | 10 |
| AKZ750/34 | 34.034 | 88.90 (3.50) | 10 |
| AKZ750/36 | 34.036 | 93.98 (3.70) | 10 |
| AKZ750/38 | 34.038 | 99.06 (3.90) | 10 |
| AKZ750/40 | 34.040 | 104.14 (4.10) | 5 |
| AKZ750/42 | 34.042 | 109.22 (4.30) | 5 |
| AKZ750/44 | 34.044 | 114.30 (4.50) | 5 |
| AKZ750/46 | 34.046 | 119.38 (4.70) | 5 |
| AKZ750/48 | 34.048 | 124.46 (4.90) | 5 |
| AKZ750/50 | 34.050 | 129.54 (5.10) | 5 |

| Type | Cat. No. | Length L mm (in.) | Std. Pk. |
|-----------|----------|-------------------|----------|
| AKZ750/4 | 34.004 | 12.70 (.50) | 50 |
| AKZ750/6 | 34.006 | 17.78 (.70) | 50 |
| AKZ750/8 | 34.008 | 22.86 (.90) | 25 |
| AKZ750/10 | 34.010 | 27.94 (1.10) | 25 |
| AKZ750/12 | 34.012 | 33.02 (1.30) | 25 |
| AKZ750/14 | 34.014 | 38.10 (1.50) | 15 |
| AKZ750/16 | 34.016 | 43.18 (1.70) | 15 |
| AKZ750/18 | 34.018 | 48.26 (1.90) | 15 |
| AKZ750/20 | 34.020 | 53.34 (2.10) | 15 |
| AKZ750/22 | 34.022 | 58.42 (2.30) | 10 |
| AKZ750/24 | 34.024 | 63.50 (2.50) | 10 |
| AKZ750/26 | 34.026 | 68.58 (2.70) | 10 |
| AKZ750/28 | 34.028 | 73.66 (2.90) | 10 |
| AKZ750/30 | 34.030 | 78.74 (3.10) | 10 |
| AKZ750/32 | 34.032 | 83.82 (3.30) | 10 |
| AKZ750/34 | 34.034 | 88.90 (3.50) | 10 |
| AKZ750/36 | 34.036 | 93.98 (3.70) | 10 |
| AKZ750/38 | 34.038 | 99.06 (3.90) | 10 |
| AKZ750/40 | 34.040 | 104.14 (4.10) | 5 |
| AKZ750/42 | 34.042 | 109.22 (4.30) | 5 |
| AKZ750/44 | 34.044 | 114.30 (4.50) | 5 |
| AKZ750/46 | 34.046 | 119.38 (4.70) | 5 |
| AKZ750/48 | 34.048 | 124.46 (4.90) | 5 |
| AKZ750/50 | 34.050 | 129.54 (5.10) | 5 |

| Dimensions | | | |
|------------|-------|-------|-------|
| mm | in. | mm | in. |
| 0.60 | 0.024 | 10.16 | 0.400 |
| 0.90 | 0.035 | 10.50 | 0.413 |
| 2.50 | 0.098 | 11.10 | 0.437 |
| 2.70 | 0.106 | 11.50 | 0.453 |
| 3.40 | 0.134 | 15.00 | 0.591 |
| 4.00 | 0.157 | 18.00 | 0.709 |
| 4.40 | 0.173 | 19.00 | 0.748 |
| 5.00 | 0.197 | 21.50 | 0.846 |
| 5.08 | 0.200 | 34.00 | 1.339 |
| 7.62 | 0.300 | | |





AKZ710 Front Wire Entry

Pin Spacing 7.62mm (.300)
Stripping Length 8mm (.315)
Screw Hole Diameter 3.5mm (.138)

| Wire Range | Current | Voltage |
|----------------------|---------|---------|
| 0.5-4mm ² | 16A | 500V |
| 22-12 AWG | 15A | 300V |
| 22-12AWG | 15A | 300V |

| Type | Cat. No. | Length L mm (in.) | Std. Pk. |
|-----------|----------|----------------------|----------|
| AKZ710/2 | 31.702 | 15.24 (.60) | 100 |
| AKZ710/3 | 31.703 | 22.86 (.90) | 100 |
| AKZ710/4 | 31.704 | 30.48 (1.20) | 50 |
| AKZ710/5 | 31.705 | 38.10 (1.50) | 50 |
| AKZ710/6 | 31.706 | 45.72 (1.80) | 50 |
| AKZ710/7 | 31.707 | 53.34 (2.10) | 30 |
| AKZ710/8 | 31.708 | 60.96 (2.40) | 30 |
| AKZ710/9 | 31.709 | 68.58 (2.70) | 30 |
| AKZ710/10 | 31.710 | 76.20 (3.00) | 30 |
| AKZ710/11 | 31.711 | 83.82 (3.30) | 20 |
| AKZ710/12 | 31.712 | 91.44 (3.60) | 20 |
| AKZ710/13 | 31.713 | 99.06 (3.90) | 20 |
| AKZ710/14 | 31.714 | 106.68 (4.20) | 20 |
| AKZ710/15 | 31.715 | 114.30 (4.50) | 20 |

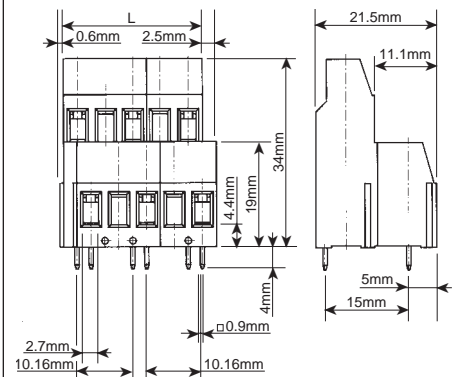
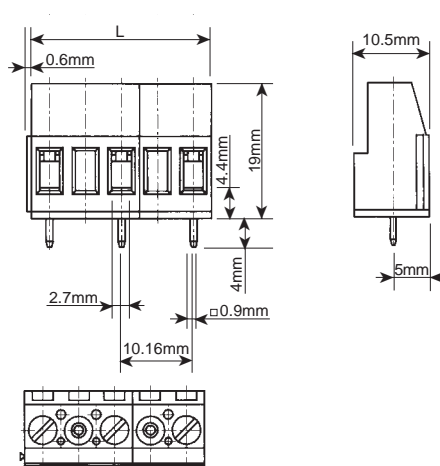
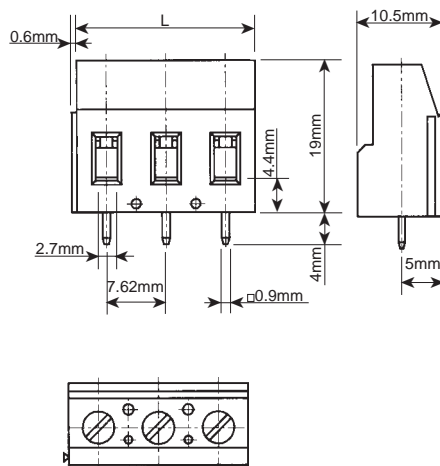


AKZ800 Front Wire Entry

Pin Spacing 10.16mm (.400)
Stripping Length 8mm (.315)
Screw Hole Diameter 3.5mm (.138)

| Wire Range | Current | Voltage |
|----------------------|---------|---------|
| 0.5-4mm ² | 16A | 630V |
| 22-12 AWG | 15A | 300V |
| 22-12 AWG | 15A | 300V |

| Type | Cat. No. | Length L mm (in.) | Std. Pk. |
|-----------|----------|----------------------|----------|
| AKZ800/2 | 39.152 | 15.24 (.60) | 100 |
| AKZ800/3 | 39.153 | 25.40 (1.00) | 50 |
| AKZ800/4 | 39.154 | 35.56 (1.40) | 30 |
| AKZ800/5 | 39.155 | 45.72 (1.80) | 30 |
| AKZ800/6 | 39.156 | 55.88 (2.20) | 20 |
| AKZ800/7 | 39.157 | 66.04 (2.60) | 20 |
| AKZ800/8 | 39.158 | 76.20 (3.00) | 20 |
| AKZ800/9 | 39.159 | 86.36 (3.40) | 15 |
| AKZ800/10 | 39.160 | 96.52 (3.80) | 15 |
| AKZ800/11 | 39.161 | 106.68 (4.20) | 10 |
| AKZ800/12 | 39.162 | 116.84 (4.60) | 10 |



AKZ850 Front Wire Entry

Pin Spacing 10.16mm (.400)
Stripping Length 8mm (.315)
Screw Hole Diameter 4mm (.158)

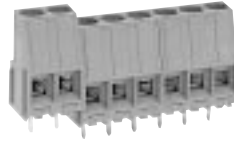
| Wire Range | Current | Voltage |
|----------------------|---------|---------|
| 0.5-4mm ² | 16A | 630V |
| 22-12 AWG | 15A | 300V |
| 22-12 AWG | 15A | 300V |

| Type | Cat. No. | Length L mm (in.) | Std. Pk. |
|-----------|----------|----------------------|----------|
| AKZ850/4 | 34.754 | 17.78 (.70) | 50 |
| AKZ850/6 | 34.756 | 27.94 (1.10) | 25 |
| AKZ850/8 | 34.758 | 38.10 (1.50) | 15 |
| AKZ850/10 | 34.760 | 48.26 (1.90) | 15 |
| AKZ850/12 | 34.762 | 58.42 (2.30) | 10 |
| AKZ850/14 | 34.764 | 68.58 (2.70) | 10 |
| AKZ850/16 | 34.766 | 78.74 (3.10) | 10 |
| AKZ850/18 | 34.768 | 88.90 (3.50) | 10 |
| AKZ850/20 | 34.770 | 99.06 (3.90) | 10 |
| AKZ850/22 | 34.772 | 109.22 (4.30) | 10 |
| AKZ850/24 | 34.774 | 119.38 (4.70) | 10 |

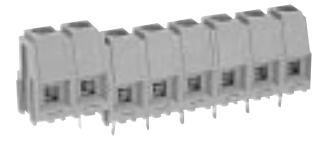
FIXED PRINTED CIRCUIT HIGH CURRENT US Pin Spacing^a Screw Cage Clamp

For wire to board connections in AC power applications where a high current connection (up to 30 Amps) is required and where frequent terminations occur. Popular 1/4" and 3/8" pin spacings provide replacements for outdated PC board barrier strips.

- Multipole, Modular Design
- Housing Material: Polyamide 6.6
- Standard Color: Green



AKZ840
Front Wire Entry



AKZ841
Front Wire Entry

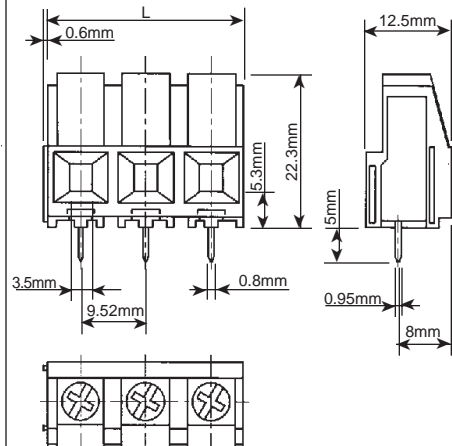
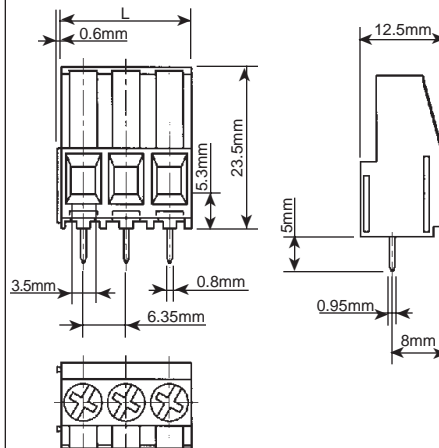
^aBlocks with metric pin spacing begin on page 132.

Pin Spacing 6.35mm (.250)
Stripping Length 8mm (.315)
Screw Hole Diameter 5.5mm (.217)

Pin Spacing 9.52mm (.375)
Stripping Length 8mm (.315)
Screw Hole Diameter 5.5mm (.217)

| Ratings IEC/VDE | Wire Range | Current | Voltage | Wire Range | Current | Voltage |
|--------------------|----------------------|---------|---------|----------------------|---------|---------|
| | 0.5-4mm ² | 32A | 500V | 0.5-4mm ² | 32A | 630V |
| | 28-10 AWG | 30A | 300V | 28-10 AWG | 30A | 300V |
| | 22-10 AWG | 30A | 300V | 22-10 AWG | 30A | 300V |

| Ordering Information | No. of Poles | Type | Cat. No. | Length L mm (in.) | Std. Pk. | Type | Cat. No. | Length L mm (in.) | Std. Pk. |
|--|--------------|-----------|---------------|----------------------|----------|-----------|---------------|----------------------|----------|
| Terminal Block, US (Inch) Pin Spacing | 2 | AKZ840/2 | 35.302 | 12.70 (.50) | 100 | AKZ841/2 | 35.352 | 19.00 (.75) | 100 |
| | 3 | AKZ840/3 | 35.303 | 19.00 (.75) | 100 | AKZ841/3 | 35.353 | 28.45 (1.12) | 100 |
| | 4 | AKZ840/4 | 35.304 | 25.40 (1.00) | 50 | AKZ841/4 | 35.354 | 38.00 (1.50) | 25 |
| | 5 | AKZ840/5 | 35.305 | 31.70 (1.25) | 50 | AKZ841/5 | 35.355 | 47.45 (1.87) | 25 |
| | 6 | AKZ840/6 | 35.306 | 38.00 (1.50) | 50 | AKZ841/6 | 35.356 | 56.90 (2.24) | 25 |
| | 7 | AKZ840/7 | 35.307 | 44.40 (1.75) | 30 | AKZ841/7 | 35.357 | 66.45 (2.61) | 15 |
| | 8 | AKZ840/8 | 35.308 | 50.70 (2.00) | 30 | AKZ841/8 | 35.358 | 75.90 (2.99) | 15 |
| | 9 | AKZ840/9 | 35.309 | 57.00 (2.25) | 30 | AKZ841/9 | 35.359 | 85.35 (3.36) | 15 |
| | 10 | AKZ840/10 | 35.310 | 63.40 (2.50) | 30 | AKZ841/10 | 35.360 | 94.90 (3.74) | 15 |
| | 11 | AKZ840/11 | 35.311 | 69.70 (2.75) | 20 | AKZ841/11 | 35.361 | 104.35 (4.11) | 10 |
| | 12 | AKZ840/12 | 35.312 | 76.00 (3.00) | 20 | AKZ841/12 | 35.362 | 113.80 (4.48) | 10 |
| | 13 | AKZ840/13 | 35.313 | 82.40 (3.25) | 20 | AKZ841/13 | 35.363 | 123.35 (4.86) | 10 |
| | 14 | AKZ840/14 | 35.314 | 88.70 (3.50) | 20 | AKZ841/14 | 35.364 | 132.80 (5.23) | 10 |
| | 15 | AKZ840/15 | 35.315 | 95.00 (3.75) | 20 | AKZ841/15 | 35.365 | 142.25 (5.60) | 10 |
| | 16 | AKZ840/16 | 35.316 | 101.40 (4.00) | 20 | AKZ841/16 | 35.366 | 151.80 (5.98) | 10 |



| Dimensions | | | |
|------------|------|-------|------|
| mm | in. | mm | in. |
| 0.60 | .024 | 6.35 | .25 |
| 0.80 | .031 | 8.00 | .314 |
| 0.95 | .037 | 9.52 | .374 |
| 3.50 | .138 | 12.50 | .492 |
| 5.00 | .196 | 22.30 | .877 |
| 5.30 | .208 | 23.5 | .925 |

FIXED PRINTED CIRCUIT US Pin Spacing^a Dual Pin Screwless Spring Clamp

Choose from 3 methods of clamp actuation:

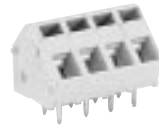
Type AK(Z)3000 - Insert a small screwdriver with a tip width up to 3mm (approx. 1/8") into slot in housing and push to open clamp.

Type AK(Z)3001KD - Push on grooved lever with screwdriver to open clamp.

Type AK(Z)3001FD - Simply push flat lever with finger to open clamp.

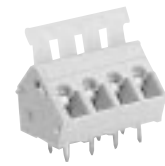
- Interlocking Sectional Design
- Stainless Steel Spring
- Front to Rear Pin Spacing, 5mm (.197 in.)
- Multipole Assemblies Supplied with End Plate Installed.
- Housing Material: Polyamide 6.6
- Standard Color: Light Gray

^aBlocks with metric pin spacing begin on page 132.

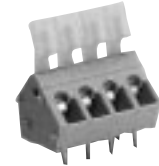


AK(Z)3000
45° Wire Entry
Without Lever

Pin Spacing 5.08mm (.200)^d
Stripping Length 6mm (.236)




AK(Z)3001KD
45° Wire Entry
With Grooved Push Lever



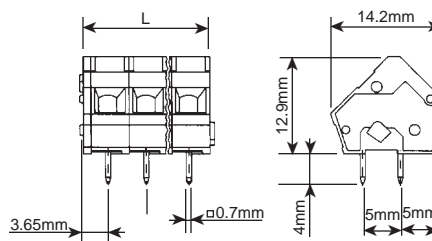
AK(Z)3001FD
45° Wire Entry
With Flat Push Lever

Pin Spacing 5.08mm (.200)^e
Stripping Length 6mm (.236)

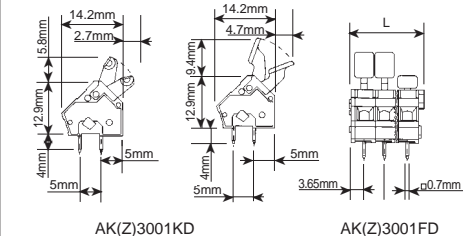
| Ratings IEC/VDE  | Wire Range | Current | Voltage | Wire Range | Current | Voltage |
|---|------------------------|---------|---------|------------------------|---------|---------|
| | 0.5-2.5mm ² | 10A | 250V | 0.5-2.5mm ² | 10A | 250V |
| | 28-14 AWG | 15A | 300V | 28-14 AWG | 15A | 300V |
| | 28-14 AWG | 15A | 300V | 28-14 AWG | 15A | 300V |

| Ordering Information | No. of Poles ^c | Type | Cat. No. | Length L mm (in.) | Std. Pk. | Type | Cat. No. | Length L mm (in.) | Std. Pk. |
|---|---------------------------|--------------------------------|----------|----------------------|------------------|----------------|----------|----------------------|------------------|
| Terminal Block, US (Inch) Pin Spacing | | With Grooved Push Lever | | | | | | | |
| 2 through 12 pole assemblies include one end plate | 1 ^b | AK(Z)3000/1 | 32.101 | 7.20 (.28) | 200 ^b | AK(Z)3001KD/1 | 32.201 | 7.90 (.31) | 200 ^b |
| | 2 | AK(Z)3000/2 | 32.102 | 12.20 (.48) | 100 | AK(Z)3001KD/2 | 32.202 | 12.90 (.50) | 100 |
| | 3 | AK(Z)3000/3 | 32.103 | 17.20 (.67) | 100 | AK(Z)3000KD/3 | 32.203 | 17.90 (.70) | 100 |
| | 4 | AK(Z)3000/4 | 32.104 | 22.20 (.87) | 50 | AK(Z)3001KD/4 | 32.204 | 22.90 (.90) | 50 |
| | 5 | AK(Z)3000/5 | 32.105 | 27.20 (1.07) | 50 | AK(Z)3001KD/5 | 32.205 | 27.90 (1.10) | 50 |
| | 6 | AK(Z)3000/6 | 32.106 | 32.20 (1.28) | 50 | AK(Z)3001KD/6 | 32.206 | 32.90 (1.30) | 50 |
| | 7 | AK(Z)3000/7 | 32.107 | 37.20 (1.46) | 30 | AK(Z)3001KD/7 | 32.207 | 37.90 (1.49) | 30 |
| | 8 | AK(Z)3000/8 | 32.108 | 42.20 (1.66) | 30 | AK(Z)3001KD/8 | 32.208 | 42.90 (1.69) | 30 |
| | 9 | AK(Z)3000/9 | 32.109 | 47.20 (1.85) | 30 | AK(Z)3001KD/9 | 32.209 | 47.90 (1.89) | 30 |
| | 10 | AK(Z)3000/10 | 32.110 | 52.20 (2.25) | 30 | AK(Z)3001KD/10 | 32.210 | 52.90 (2.08) | 30 |
| | 11 | AK(Z)3000/11 | 32.111 | 57.20 (2.25) | 20 | AK(Z)3001KD/11 | 32.211 | 57.90 (2.28) | 20 |
| | 12 | AK(Z)3000/12 | 32.112 | 62.20 (2.44) | 20 | AK(Z)3001KD/12 | 32.212 | 62.90 (2.44) | 20 |
| Terminal Block, US (Inch) Pin Spacing | | With Flat Push Lever | | | | | | | |
| 2 through 12 pole assemblies include one end plate | 1 ^b | AK(Z)3001FD/1 | 32.301 | 7.90 (.31) | 200 ^b | AK(Z)3001FD/1 | 32.301 | 7.90 (.31) | 200 ^b |
| | 2 | AK(Z)3001FD/2 | 32.302 | 12.90 (.50) | 100 | AK(Z)3001FD/2 | 32.302 | 12.90 (.50) | 100 |
| | 3 | AK(Z)3001FD/3 | 32.303 | 17.90 (.70) | 100 | AK(Z)3001FD/3 | 32.303 | 17.90 (.70) | 100 |
| | 4 | AK(Z)3001FD/4 | 32.304 | 22.90 (.90) | 50 | AK(Z)3001FD/4 | 32.304 | 22.90 (.90) | 50 |
| | 5 | AK(Z)3001FD/5 | 32.305 | 27.90 (1.10) | 50 | AK(Z)3001FD/5 | 32.305 | 27.90 (1.10) | 50 |
| | 6 | AK(Z)3001FD/6 | 32.306 | 32.90 (1.30) | 50 | AK(Z)3001FD/6 | 32.306 | 32.90 (1.30) | 50 |
| | 7 | AK(Z)3001FD/7 | 32.307 | 37.90 (1.49) | 30 | AK(Z)3001FD/7 | 32.307 | 37.90 (1.49) | 30 |
| | 8 | AK(Z)3001FD/8 | 32.308 | 42.90 (1.69) | 30 | AK(Z)3001FD/8 | 32.308 | 42.90 (1.69) | 30 |
| | 9 | AK(Z)3001FD/9 | 32.309 | 47.90 (1.89) | 30 | AK(Z)3001FD/9 | 32.309 | 47.90 (1.89) | 30 |
| | 10 | AK(Z)3001FD/10 | 32.310 | 52.90 (2.08) | 30 | AK(Z)3001FD/10 | 32.310 | 52.90 (2.08) | 30 |
| | 11 | AK(Z)3001FD/11 | 32.311 | 57.90 (2.28) | 20 | AK(Z)3001FD/11 | 32.311 | 57.90 (2.28) | 20 |
| | 12 | AK(Z)3001FD/12 | 32.312 | 62.90 (2.44) | 20 | AK(Z)3001FD/12 | 32.312 | 62.90 (2.44) | 20 |
| End Plate | | AP3000 | 32.100 | | 50 | AP3001 | 32.200 | | 50 |

| Dimensions | | | |
|------------|-------|-------|-------|
| mm | in. | mm | in. |
| 0.70 | 0.028 | 5.80 | 0.228 |
| 2.70 | 0.106 | 9.40 | 0.370 |
| 3.65 | 0.144 | 12.90 | 0.508 |
| 4.00 | 0.157 | 14.20 | 0.559 |
| 4.70 | 0.185 | | |
| 5.00 | 0.197 | | |



^d5mm (.197") nominal pin spacing is adjustable to 5.08mm (.200")



^e5mm (.197") nominal pin spacing is adjustable to 5.08mm (.200")

PLUGGABLE PRINTED CIRCUIT US Pin Spacing^a Tubular Screw Clamp Plug

For plug-in applications where infrequent wire-to-board connections are made and a very cost effective pluggable terminal block is needed.

Multipole assemblies are offered in modular interlocking or single mold construction up to 6 poles. While modular construction reduces and simplifies inventory, the single mold design provides maximum strength.

- Modular or Single Mold Design
- Wire Protector Standard
- Housing Material: Polyamide 6.6
- Standard Color: Gray

^aBlocks with metric pin spacing begin on page 132.



AK(Z)130 Modular Plug

Pole Spacing 5mm (.197)^b
Stripping Length 6mm (.236)
Screw Hole Diameter 3.5mm (.138)

Use with STL(Z)130, STZ(Z)132, STL(Z)140 Headers



AK(Z)132 Single Mold Plug

Pole Spacing 5mm (.197)^d
Stripping Length 6mm (.236)
Screw Hole Diameter 3.5mm (.138)

Use with STL(Z)130, STZ(Z)132, STL(Z)140 Headers

Ratings

IEC/VDE

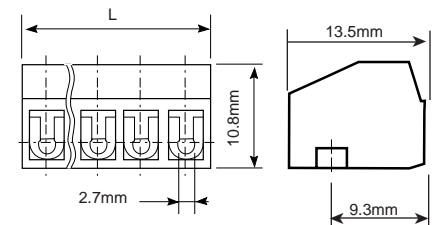
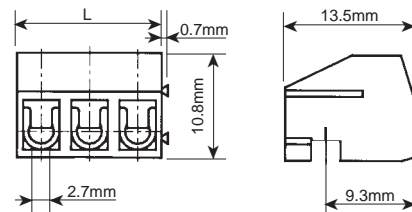
(File No. E101811)

(File No. LR68503)

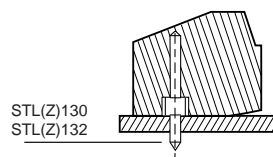
| Wire Range | Current | Voltage |
|------------------------|---------|---------|
| 0.5-1.5mm ² | 10A | 250V |
| 22-14 AWG | 10A | 300V |
| 22-14 AWG | 10A | 300V |

| Wire Range | Current | Voltage |
|------------------------|---------|---------|
| 0.5-1.5mm ² | 10A | 250V |
| 22-14 AWG | 10A | 300V |
| 22-14 AWG | 10A | 300V |

| Ordering Information | No. of Poles | AK(Z)130 | | | | AK(Z)132 | | | |
|------------------------------|--------------|--------------|----------|-------------------|----------|--------------|----------|-------------------|----------|
| | | Type | Cat. No. | Length L mm (in.) | Std. Pk. | Type | Cat. No. | Length L mm (in.) | Std. Pk. |
| Plug, US (Inch) Pole Spacing | 2 | AK(Z)130/2wp | 30.302 | 10.00 (.39) | 100 | AK(Z)132/2wp | 30.322 | 10.00 (.39) | 100 |
| | 3 | AK(Z)130/3wp | 30.303 | 15.00 (.59) | 100 | AK(Z)132/3wp | 30.323 | 15.00 (.59) | 100 |
| | 4 | AK(Z)130/4wp | 30.304 | 20.00 (.79) | 50 | AK(Z)132/4wp | 30.324 | 20.00 (.79) | 50 |
| | 5 | AK(Z)130/5wp | 30.305 | 25.00 (.99) | 50 | AK(Z)132/5wp | 30.325 | 25.00 (.99) | 50 |
| | 6 | AK(Z)130/6wp | 30.306 | 30.00 (1.18) | 50 | AK(Z)132/6wp | 30.326 | 30.00 (1.18) | 50 |



| Dimensions | | | |
|------------|-------|-------|-------|
| mm | in. | mm | in. |
| 0.70 | 0.028 | 10.80 | 0.425 |
| 2.70 | 0.106 | 13.50 | 0.531 |
| 9.30 | 0.366 | | |



^bAppropriate for use in US (inch) pin spacings up to the number of poles shown.

^dAppropriate for use in US (inch) pin spacings up to the number of poles shown.

PLUGGABLE PRINTED CIRCUIT US Pin Spacing^a Pin Headers

STL(Z)130, STL(Z)132 Straight and STL(Z)140 Right Angle Pin Headers are used with the highly cost effective Tubular Screw Clamp Plugs, Type AK(Z)130 and AK(Z)132, in lighter duty applications where infrequent wire to board connections must be made. Type STL(Z)132 features a reduced pin diameter of 1.0mm (.0394") on the soldering side.

Open Pin Headers are supplied in strips up to 6 poles. The Pin Header strip features breakaway construction that eliminates cutting or sawing.

- Straight and Right Angle
- Strip Material: Polyamide 6.6
- Standard Color: Gray

^aBlocks with metric pin spacing begin on page 132.



STL(Z)130
Straight Pin Header



STL(Z)140
Right Angle Pin Header^b

Pin Spacing 5mm (.197)^c

Use with AK(Z)130, AK(Z)132 Plugs^b

Smaller pin diameter for 1.0mm (.0394") through-holes



STL(Z)132
Straight Pin Header

Pin Spacing 5mm (.197)^d

Use with AK(Z)130, AK(Z)132 Plugs

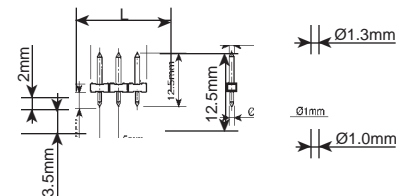
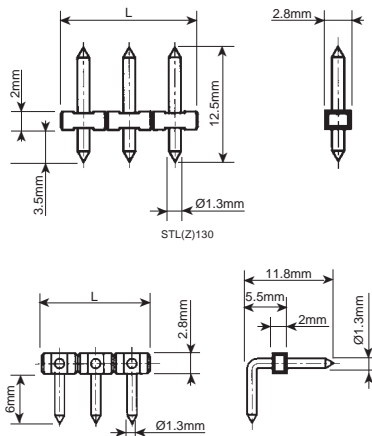
Ratings
IEC/VDE
UL (File No. E101811)
SP (File No. LR68503)

| Current | Voltage |
|------------------|-------------------|
| 10A | 250V |
| 10A ^e | 300V ^e |
| 10A ^e | 300V ^e |

| Current | Voltage |
|------------------|-------------------|
| 10A | 250V |
| 10A ^e | 300V ^e |
| 10A ^e | 300V ^e |

| Ordering Information | No. of Poles | Type | Cat. No. | Length L mm (in.) | Std. Pk. | Type | Cat. No. | Length L mm (in.) | Std. Pk. |
|---|--|-------------|-------------|-------------------|-------------|-------------|----------|-------------------|----------|
| Straight Pin Header, US (Inch) Pin Spacing | 2 | STL(Z)130/2 | 30.352 | 10.00 (.39) | 100 | STL(Z)132/2 | 32.502 | 10.00 (.39) | 100 |
| | 3 | STL(Z)130/3 | 30.353 | 15.00 (.59) | 100 | STL(Z)132/3 | 32.503 | 15.00 (.59) | 100 |
| | 4 | STL(Z)130/4 | 30.354 | 20.00 (.79) | 50 | STL(Z)132/4 | 32.504 | 20.00 (.79) | 50 |
| | 5 | STL(Z)130/5 | 30.355 | 25.00 (.99) | 50 | STL(Z)132/5 | 32.505 | 25.00 (.99) | 50 |
| | 6 | STL(Z)130/6 | 30.356 | 30.00 (1.18) | 50 | STL(Z)132/6 | 32.506 | 30.00 (1.18) | 50 |
| | Right Angle Pin Header, US (Inch) Pin Spacing | 2 | STL(Z)140/2 | 30.472 | 10.00 (.39) | 100 | | | |
| 3 | | STL(Z)140/3 | 30.473 | 15.00 (.59) | 100 | | | | |
| 4 | | STL(Z)140/4 | 30.474 | 20.00 (.79) | 50 | | | | |
| 5 | | STL(Z)140/5 | 30.475 | 25.00 (.99) | 50 | | | | |
| 6 | | STL(Z)140/6 | 30.476 | 30.00 (1.18) | 50 | | | | |

| Dimensions | | | |
|------------|-------|-------|-------|
| mm | in. | mm | in. |
| 1.00 | 0.039 | 5.50 | 0.217 |
| 1.30 | 0.051 | 6.00 | 0.236 |
| 2.00 | 0.079 | 11.80 | 0.465 |
| 2.80 | 0.110 | 12.50 | 0.492 |
| 3.50 | 0.138 | | |



^bTo insure proper pin positioning, install header into AK(Z)130 or AK(Z)132 Plug before soldering into board.

^cAppropriate for use in US (inch) pin spacings up to the number of poles shown providing minimum PC Board Hole Size is 1.5mm(.059 in.)

^dAppropriate for use in US (inch) pin spacings up to the number of poles shown providing minimum PC Board Hole Size is 1.5mm(.059 in.)

^ePending, STL(Z)140 and STL(Z)132

MINI PLUGGABLE PRINTED CIRCUIT US Pin Spacing^a Screw-Cage Clamp Plug and Headers

For use in industrial plug-in applications where space is limited.

Horizontal and vertical headers offer different wire entry options and enhance plug accessibility. Closed end designs help prevent misplugging.

- Multipole, Single Mold Design
- Optional Keying Prevents Misplugging^b
- Housing Material: Polyamide 6.6
- Standard Color: Green



STLZ1550-W
Horizontal - Closed End



AKZ1550



STLZ1555-W
Vertical - Closed End

Pole Spacing 3.81mm (.150)
Stripping Length 7mm (.276)
Screw Hole Diameter 2.5mm (.098)

Pin Spacing 3.81mm (.150)

Use with STLZ1550 or STLZ1555 Headers

Use with AKZ1550 Plug

^aBlocks with metric pin spacing begin on page 132.

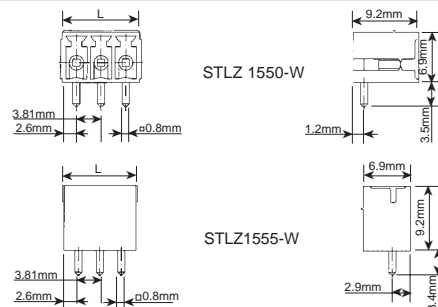
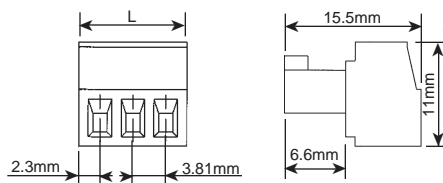


| Wire Range | Current | Voltage |
|------------------------|---------|---------|
| 0.4-1.5mm ² | 8A | 125V |
| 28-16 AWG | 8A | 300V |
| 28-16 AWG | 8A | 300V |

| Current | Voltage |
|---------|---------|
| 8A | 125V |
| 8A | 300V |
| 8A | 300V |

| Ordering Information | No. of Poles | AKZ1550 Plug | | | | STLZ1550-W Header | | | |
|--|---------------------------------------|--------------|------------|-------------------|---------------|-------------------|---------------|-------------------|--------------|
| | | Type | Cat. No. | Length L mm (in.) | Std. Pk. | Type | Cat. No. | Length L mm (in.) | Std. Pk. |
| Plugs, Horizontal Headers US (inch) Spacing | 2 | AKZ1550/2 | 36.302 | 8.41 (.33) | 100 | STLZ1550/2-w | 36.402 | 9.01 (.35) | 100 |
| | 3 | AKZ1550/3 | 36.303 | 12.22 (.48) | 100 | STLZ1550/3-w | 36.403 | 12.82 (.50) | 100 |
| | 4 | AKZ1550/4 | 36.304 | 16.03 (.63) | 50 | STLZ1550/4-w | 36.404 | 16.63 (.65) | 50 |
| | 5 | AKZ1550/5 | 36.305 | 19.84 (.78) | 50 | STLZ1550/5-w | 36.405 | 20.44 (.80) | 50 |
| | 6 | AKZ1550/6 | 36.306 | 23.65 (.93) | 50 | STLZ1550/6-w | 36.406 | 24.25 (.95) | 50 |
| | 7 | AKZ1550/7 | 36.307 | 27.46 (1.08) | 30 | STLZ1550/7-w | 36.407 | 28.06 (1.10) | 30 |
| | 8 | AKZ1550/8 | 36.308 | 31.27 (1.23) | 30 | STLZ1550/8-w | 36.408 | 31.87 (1.25) | 30 |
| | 9 | AKZ1550/9 | 36.309 | 35.08 (1.38) | 30 | STLZ1550/9-w | 36.409 | 35.68 (1.40) | 30 |
| | 10 | AKZ1550/10 | 36.310 | 38.89 (1.53) | 30 | STLZ1550/10-w | 36.410 | 39.49 (1.55) | 30 |
| | 11 | AKZ1550/11 | 36.311 | 42.70 (1.68) | 20 | STLZ1550/11-w | 36.411 | 43.30 (1.70) | 20 |
| | 12 | AKZ1550/12 | 36.312 | 46.51 (1.83) | 20 | STLZ1550/12-w | 36.412 | 47.11 (1.85) | 20 |
| | 13 | AKZ1550/13 | 36.313 | 50.32 (1.98) | 20 | STLZ1550/13-w | 36.413 | 50.92 (2.00) | 20 |
| | Vertical Headers US (inch) Spacing | 14 | AKZ1550/14 | 36.314 | 54.13 (2.13) | 20 | STLZ1550/14-w | 36.414 | 54.73 (2.15) |
| 15 | | AKZ1550/15 | 36.315 | 57.94 (2.28) | 20 | STLZ1550/15-w | 36.415 | 58.54 (2.30) | 20 |
| 16 | | AKZ1550/16 | 36.316 | 61.75 (2.43) | 15 | STLZ1550/16-w | 36.416 | 62.35 (2.45) | 15 |
| 2 | | | | | | STLZ1555/2-w | 36.452 | 9.01 (.35) | 100 |
| 3 | | | | | | STLZ1555/3-w | 36.453 | 12.82 (.50) | 100 |
| 4 | | | | | | STLZ1555/4-w | 36.454 | 16.63 (.65) | 50 |
| 5 | | | | | | STLZ1555/5-w | 36.455 | 20.44 (.80) | 50 |
| 6 | | | | | | STLZ1555/6-w | 36.456 | 24.25 (.95) | 50 |
| 7 | | | | | | STLZ1555/7-w | 36.457 | 28.06 (1.10) | 30 |
| 8 | | | | | | STLZ1555/8-w | 36.458 | 31.87 (1.25) | 30 |
| 9 | | | | | | STLZ1555/9-w | 36.459 | 35.68 (1.40) | 30 |
| 10 | | | | | | STLZ1555/10-w | 36.460 | 39.49 (1.55) | 30 |
| 11 | | | | | | STLZ1555/11-w | 36.461 | 43.30 (1.70) | 20 |
| 12 | | | | | STLZ1555/12-w | 36.462 | 47.11 (1.85) | 20 | |
| 13 | | | | | STLZ1555/13-w | 36.463 | 50.92 (2.00) | 20 | |
| 14 | | | | | STLZ1555/14-w | 36.464 | 54.73 (2.15) | 20 | |
| 15 | | | | | STLZ1555/15-w | 36.465 | 58.54 (2.30) | 20 | |
| 16 | | | | | STLZ1555/16-w | 36.466 | 62.35 (2.45) | 15 | |

| Dimensions | | | |
|------------|-------|-------|-------|
| mm | in. | mm | in. |
| 0.80 | 0.031 | 3.81 | 0.150 |
| 1.20 | 0.047 | 6.60 | 0.260 |
| 2.30 | 0.091 | 6.90 | 0.272 |
| 2.60 | 0.102 | 9.20 | 0.362 |
| 2.90 | 0.114 | 11.10 | 0.437 |
| 3.40 | 0.134 | 15.50 | 0.610 |
| 3.50 | 0.138 | | |



^bFor Keying, please consult Altech

STANDARD PLUGGABLE PRINTED CIRCUIT US Pin Spacing^a Screw-Cage Clamp Plug

For standard industrial plug-in applications where multiple wire-to-board connections must be made quickly and simultaneously.

Reduce wiring mistakes, downtime and facilitate troubleshooting. Simply unplug defective board and plug in a new one.


Horizontal and Vertical, 45° and Double Level Headers are available. Headers are available in open and closed end designs. Refer to page 126 to 129.


- Multipole, Single Mold Construction
- Industry Standard Compatible
- Locking Tabs Prevent Unplugging
- Optional Keying Prevents Misplugging^b
- Housing Material: Polyamide 6.6
- Standard Color: Green

^aBlocks with metric pin spacing begin on page 132.

Ratings

IEC/VDE

 (File No. E101811)

 (File No. LR68503)



AKZ950

Wire Entry in Same Direction as Plug-In

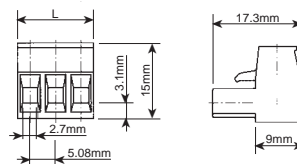
Pole Spacing 5.08mm (.200)
Stripping Length 7mm (.276)
Screw Hole Diameter 3.5mm (.138)

Use with STLZ950, STLZ955, STLZ970,
STLZ975, STLZ11, STLZ990 Headers

| Wire Range | Current | Voltage |
|------------------------|---------|---------|
| 0.5-2.5mm ² | 12A | 250V |
| 22-12 AWG | 15A | 300V |
| 22-14 AWG | 15A | 300V |

| Ordering Information | No. of Poles | Type | Cat. No. | Length L mm (in.) | Std. Pk. |
|------------------------------|--------------|-----------|----------|-------------------|----------|
| Plug, US (Inch) Pole Spacing | 2 | AKZ950/2 | 37.002 | 10.16 (.40) | 100 |
| | 3 | AKZ950/3 | 37.003 | 15.24 (.60) | 100 |
| | 4 | AKZ950/4 | 37.004 | 20.32 (.80) | 50 |
| | 5 | AKZ950/5 | 37.005 | 25.40 (1.00) | 50 |
| | 6 | AKZ950/6 | 37.006 | 30.48 (1.20) | 50 |
| | 7 | AKZ950/7 | 37.007 | 35.56 (1.40) | 30 |
| | 8 | AKZ950/8 | 37.008 | 40.64 (1.60) | 30 |
| | 9 | AKZ950/9 | 37.009 | 45.72 (1.80) | 30 |
| | 10 | AKZ950/10 | 37.010 | 50.80 (2.00) | 30 |
| | 11 | AKZ950/11 | 37.011 | 55.88 (2.20) | 20 |
| | 12 | AKZ950/12 | 37.012 | 60.98 (2.40) | 20 |
| | 13 | AKZ950/13 | 37.013 | 66.04 (2.60) | 20 |
| | 14 | AKZ950/14 | 37.014 | 71.14 (2.80) | 20 |
| | 15 | AKZ950/15 | 37.015 | 76.20 (3.00) | 20 |
| | 16 | AKZ950/16 | 37.016 | 81.28 (3.20) | 15 |
| | 17 | AKZ950/17 | 37.017 | 86.36 (3.40) | 15 |
| | 18 | AKZ950/18 | 37.018 | 91.44 (3.60) | 15 |
| | 19 | AKZ950/19 | 37.019 | 96.52 (3.80) | 15 |
| | 20 | AKZ950/20 | 37.020 | 101.60 (4.00) | 15 |
| | 21 | AKZ950/21 | 37.021 | 106.66 (4.20) | 10 |
| | 22 | AKZ950/22 | 37.022 | 111.76 (4.40) | 10 |
| | 23 | AKZ950/23 | 37.023 | 116.64 (4.60) | 10 |
| | 24 | AKZ950/24 | 37.024 | 121.92 (4.80) | 10 |

| Dimensions | | | |
|------------|-------|-------|-------|
| mm | in. | mm | in. |
| 2.70 | 0.106 | 9.00 | 0.354 |
| 3.10 | 0.039 | 15.00 | 0.600 |
| 5.08 | 0.200 | 17.30 | 0.039 |



^bFor Keying, refer to Accessories on Page146

STANDARD PLUGGABLE PRINTED CIRCUIT US Pin Spacing^a Screw-Cage Clamp Plug

For standard industrial plug-in applications where multiple wire-to-board connections must be made quickly and simultaneously.

Two wire entry options increase plug accessibility. The shape of the plug facilitates plug-in and removal.

- Multipole, Single Mold Construction
- Industry Standard Compatible
- Locking Tab Prevents Unplugging
- Optional Keying Prevents Misplugging^b
- Housing Material: Polyamide 6.6
- Standard Color: Green^c

^aBlocks with metric pin spacing begin on page 132.

Ratings
IEC/VDE
UL (File No. E151279)
CSA (File No. LR103097-1)

| Ordering Information | No. of Poles |
|-------------------------------------|--------------|
| Plug, US (inch) Pole Spacing | 2 |
| | 3 |
| | 4 |
| | 5 |
| | 6 |
| | 7 |
| | 8 |
| | 9 |
| | 10 |
| | 11 |
| | 12 |
| | 13 |
| | 14 |
| | 15 |
| | 16 |



BU02

**Wire Entry Perpendicular to Plug-In
(On Locking Tab Side)**

Pole Spacing 5.08mm (.200)
Stripping Length 8mm (.315)
Screw Hole Diameter 3.5mm (.138)

Use with STLZ950, STLZ955, STLZ11,
STLZ990 Headers

| Wire Range | Current | Voltage |
|------------------------|------------------|---------|
| 0.5-2.5mm ² | 12A | 250V |
| 22-10 AWG | 15A | 300V |
| 22-10 AWG ^a | 15A ^a | 300V |

| Type | Cat. No. | Length L mm (in.) | Std. Pk. |
|---------|----------|----------------------|----------|
| BU02/2 | 36.002 | 10.16 (.40) | 100 |
| BU02/3 | 36.003 | 15.24 (.60) | 100 |
| BU02/4 | 36.004 | 20.32 (.80) | 50 |
| BU02/5 | 36.005 | 25.40 (1.00) | 50 |
| BU02/6 | 36.006 | 30.48 (1.20) | 50 |
| BU02/7 | 36.007 | 35.56 (1.40) | 30 |
| BU02/8 | 36.008 | 40.64 (1.60) | 30 |
| BU02/9 | 36.009 | 45.72 (1.80) | 30 |
| BU02/10 | 36.010 | 50.80 (2.00) | 20 |
| BU02/11 | 36.011 | 55.88 (2.20) | 20 |
| BU02/12 | 36.012 | 60.96 (2.40) | 20 |
| BU02/13 | 36.013 | 66.04 (2.60) | 20 |
| BU02/14 | 36.014 | 71.12 (2.80) | 20 |
| BU02/15 | 36.015 | 76.20 (3.00) | 20 |
| BU02/16 | 36.016 | 81.28 (3.20) | 15 |



BU04

**Wire Entry Perpendicular to Plug-In
(On Scalloped Side)**

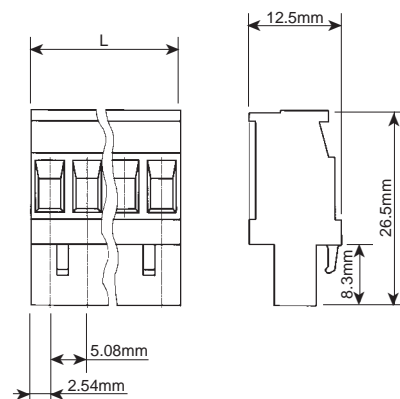
Pole Spacing 5.08mm (.200)
Stripping Length 8mm (.315)
Screw Hole Diameter 3.5mm (.138)

Use with STLZ950, STLZ955, STLZ11,
STLZ990 Headers

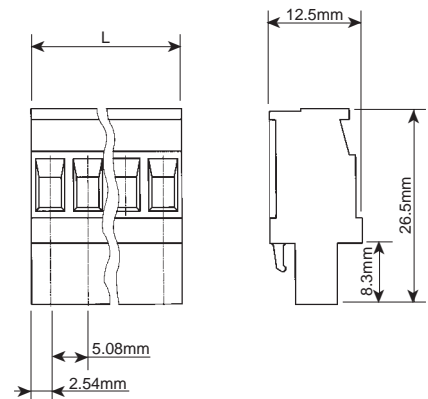
| Wire Range | Current | Voltage |
|------------------------|------------------|---------|
| 0.5-2.5mm ² | 12A | 250V |
| 22-10 AWG | 15A | 300V |
| 22-10 AWG ^b | 15A ^b | 300V |

| Type | Cat. No. | Length L mm (in.) | Std. Pk. |
|---------|----------|----------------------|----------|
| BU04/2 | 36.052 | 10.16 (.40) | 100 |
| BU04/3 | 36.053 | 15.24 (.60) | 100 |
| BU04/4 | 36.054 | 20.32 (.80) | 50 |
| BU04/5 | 36.055 | 25.40 (1.00) | 50 |
| BU04/6 | 36.056 | 30.48 (1.20) | 50 |
| BU04/7 | 36.057 | 35.56 (1.40) | 30 |
| BU04/8 | 36.058 | 40.64 (1.60) | 30 |
| BU04/9 | 36.059 | 45.72 (1.80) | 30 |
| BU04/10 | 36.060 | 50.80 (2.00) | 20 |
| BU04/11 | 36.061 | 55.88 (2.20) | 20 |
| BU04/12 | 36.062 | 60.96 (2.40) | 20 |
| BU04/13 | 36.063 | 66.04 (2.60) | 20 |
| BU04/14 | 36.064 | 71.12 (2.80) | 20 |
| BU04/15 | 36.065 | 76.20 (3.00) | 20 |
| BU04/16 | 36.066 | 81.28 (3.20) | 15 |

| Dimensions | | | |
|------------|-------|-------|-------|
| mm | in. | mm | in. |
| 2.54 | 0.100 | 12.50 | 0.492 |
| 5.08 | 0.200 | 26.50 | 1.043 |
| 8.30 | 0.327 | | |



^aPending



^bPending

STANDARD PLUGGABLE PRINTED CIRCUIT US Pin Spacing^a Screw-Cam Clamp Plug

For standard industrial plug-in applications where multiple wire-to-board connections must be made quickly and simultaneously.

Ideal for limited access application, wire entry and screws on the same side.

- Multipole, Single Mold Construction
- Industry Standard Compatible
- Optional Keying Prevents Misplugging
- Housing Material: Polyamide 6.6
- Standard Color: Green

^aBlocks with metric pin spacing begin on page 132.

Ratings

IEC/VDE

 (File No. E101811)

 (File No. LR68503)



AKZ1200

**Wire Entry and Screws on Same Side
and in Same Direction as Plug-In**

Pole Spacing 5.08mm (.200)
Stripping Length 7mm (.276)
Screw Hole Diameter 3mm (.118)

Use with STLZ950, STLZ955, STLZ990,
STLZ11, STLZ970, STLZ975 Headers

| Wire Range | Current | Voltage |
|------------------------|---------|---------|
| 0.5-2.5mm ² | 12A | 250V |
| 22-12 AWG | 15A | 300V |
| 22-14 AWG | 15A | 300V |

Ordering Information

No. of
Poles

Type

Cat. No.

Length L
mm (in.)

Std. Pk.

Pin Header, US (Inch) Pole Spacing

| | | | | |
|----|------------|--------|---------------|-----|
| 2 | AKZ1200/2 | 36.102 | 10.16 (.40) | 100 |
| 3 | AKZ1200/3 | 36.103 | 15.24 (.60) | 100 |
| 4 | AKZ1200/4 | 36.104 | 20.32 (.80) | 50 |
| 5 | AKZ1200/5 | 36.105 | 25.40 (1.00) | 50 |
| 6 | AKZ1200/6 | 36.106 | 30.48 (1.20) | 50 |
| 7 | AKZ1200/7 | 36.107 | 35.56 (1.40) | 30 |
| 8 | AKZ1200/8 | 36.108 | 40.64 (1.60) | 30 |
| 9 | AKZ1200/9 | 36.109 | 45.72 (1.80) | 30 |
| 10 | AKZ1200/10 | 36.110 | 50.80 (2.00) | 20 |
| 11 | AKZ1200/11 | 36.111 | 55.88 (2.20) | 20 |
| 12 | AKZ1200/12 | 36.112 | 60.98 (2.40) | 20 |
| 13 | AKZ1200/13 | 36.113 | 66.04 (2.60) | 20 |
| 14 | AKZ1200/14 | 36.114 | 71.14 (2.80) | 20 |
| 15 | AKZ1200/15 | 36.115 | 76.20 (3.00) | 20 |
| 16 | AKZ1200/16 | 36.116 | 81.28 (3.20) | 15 |
| 17 | AKZ1200/17 | 36.117 | 86.36 (3.40) | 15 |
| 18 | AKZ1200/18 | 36.118 | 91.44 (3.60) | 15 |
| 19 | AKZ1200/19 | 36.119 | 96.52 (3.80) | 15 |
| 20 | AKZ1200/20 | 36.120 | 101.60 (4.00) | 15 |
| 21 | AKZ1200/21 | 36.121 | 106.66 (4.20) | 10 |
| 22 | AKZ1200/22 | 36.122 | 111.76 (4.40) | 10 |
| 23 | AKZ1200/23 | 36.123 | 116.84 (4.60) | 10 |
| 24 | AKZ1200/24 | 36.124 | 121.92 (4.80) | 10 |

mm

in.

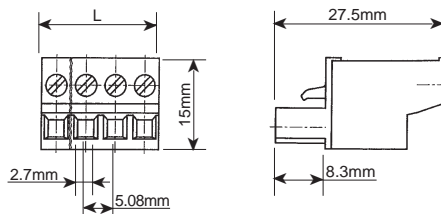
Dimensions

mm

in.

| | |
|------|-------|
| 2.70 | 0.106 |
| 5.08 | 0.200 |
| 8.30 | 0.327 |

| | |
|-------|-------|
| 15.00 | 0.591 |
| 27.50 | 1.083 |



STANDARD PLUGGABLE PRINTED CIRCUIT US Pin Spacing^a Headers

Horizontal or vertical headers offer different wire entry options and enhance plug accessibility. Closed end headers help prevent misplugging.

- Multipole, Single Mold Construction
- Industry Standard Compatible
- Horizontal and Vertical
- Open and Closed Ends
- Housing Material: Polyamide 6.6
- Standard Color: Green^b

^aBlocks with metric pin spacing begin on page 132.

| |
|--------------------|
| Ratings |
| IEC/VDE |
| (File No. E101811) |
| (File No. LR68503) |

| Ordering Information | No. of Poles |
|-------------------------------|--------------|
| Header, US (Inch) Pin Spacing | 2 |
| | 3 |
| | 4 |
| | 5 |
| | 6 |
| | 7 |
| | 8 |
| | 9 |
| | 10 |
| | 11 |
| | 12 |
| | 13 |
| | 14 |
| | 15 |
| | 16 |
| | 17 |
| | 18 |
| | 19 |
| | 20 |
| | 21 |
| | 22 |
| | 23 |
| | 24 |



STLZ950-W Horizontal - Closed Ends

Pin Spacing 5.08mm (.200)

Use with AKZ950, BU02, BU04, AKZ1200 Plugs

| Type | Cat. No. | Length L mm (in.) | Std. Pk. |
|--------------|---------------|-------------------|----------|
| STLZ950/2-w | 37.102 | 11.36 (.45) | 100 |
| STLZ950/3-w | 37.103 | 16.44 (.65) | 100 |
| STLZ950/4-w | 37.104 | 21.52 (.85) | 50 |
| STLZ950/5-w | 37.105 | 26.60 (1.05) | 50 |
| STLZ950/6-w | 37.106 | 31.68 (1.25) | 50 |
| STLZ950/7-w | 37.107 | 36.76 (1.45) | 30 |
| STLZ950/8-w | 37.108 | 41.84 (1.65) | 30 |
| STLZ950/9-w | 37.109 | 46.92 (1.85) | 30 |
| STLZ950/10-w | 37.110 | 52.00 (2.05) | 30 |
| STLZ950/11-w | 37.111 | 57.08 (2.25) | 20 |
| STLZ950/12-w | 37.112 | 62.16 (2.45) | 20 |
| STLZ950/13-w | 37.113 | 67.24 (2.65) | 20 |
| STLZ950/14-w | 37.114 | 72.32 (2.85) | 20 |
| STLZ950/15-w | 37.115 | 77.40 (3.05) | 20 |
| STLZ950/16-w | 37.116 | 82.48 (3.25) | 15 |
| STLZ950/17-w | 37.117 | 87.56 (3.45) | 15 |
| STLZ950/18-w | 37.118 | 92.64 (3.65) | 15 |
| STLZ950/19-w | 37.119 | 97.72 (3.85) | 15 |
| STLZ950/20-w | 37.120 | 102.80 (4.05) | 15 |
| STLZ950/21-w | 37.121 | 107.88 (4.25) | 10 |
| STLZ950/22-w | 37.122 | 112.96 (4.45) | 10 |
| STLZ950/23-w | 37.123 | 118.04 (4.65) | 10 |
| STLZ950/24-w | 37.124 | 123.13 (4.85) | 10 |



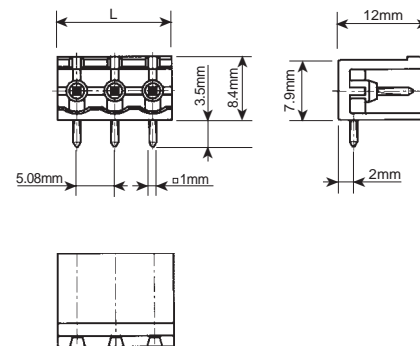
STLZ950-O Horizontal - Open Ends

Pin Spacing 5.08mm (.200)

Use with AKZ950, BU02, BU04, AKZ1200 Plugs

| Type | Cat. No. | Length L mm (in.) | Std. Pk. |
|--------------|---------------|-------------------|----------|
| STLZ950/2-o | 37.452 | 10.08 (.40) | 100 |
| STLZ950/3-o | 37.453 | 15.16 (.60) | 100 |
| STLZ950/4-o | 37.454 | 20.24 (.80) | 50 |
| STLZ950/5-o | 37.455 | 25.32 (1.00) | 50 |
| STLZ950/6-o | 37.456 | 30.40 (1.20) | 50 |
| STLZ950/7-o | 37.457 | 35.48 (1.40) | 30 |
| STLZ950/8-o | 37.458 | 40.56 (1.60) | 30 |
| STLZ950/9-o | 37.459 | 45.64 (1.80) | 30 |
| STLZ950/10-o | 37.460 | 50.72 (2.00) | 30 |
| STLZ950/11-o | 37.461 | 55.80 (2.20) | 20 |
| STLZ950/12-o | 37.462 | 60.88 (2.40) | 20 |
| STLZ950/13-o | 37.463 | 65.96 (2.60) | 20 |
| STLZ950/14-o | 37.464 | 71.04 (2.80) | 20 |
| STLZ950/15-o | 37.465 | 76.12 (3.00) | 20 |
| STLZ950/16-o | 37.466 | 81.20 (3.20) | 15 |
| STLZ950/17-o | 37.467 | 86.28 (3.40) | 15 |
| STLZ950/18-o | 37.468 | 91.36 (3.60) | 15 |
| STLZ950/19-o | 37.469 | 96.44 (3.80) | 15 |
| STLZ950/20-o | 37.470 | 101.52 (4.00) | 15 |
| STLZ950/21-o | 37.471 | 106.60 (4.20) | 10 |
| STLZ950/22-o | 37.472 | 111.68 (4.40) | 10 |
| STLZ950/23-o | 37.473 | 116.76 (4.60) | 10 |
| STLZ950/24-o | 37.474 | 121.84 (4.80) | 10 |

| mm | | in. | |
|------|-------|-------|-------|
| 1.00 | 0.039 | 8.20 | 0.323 |
| 2.00 | 0.079 | 8.40 | 0.331 |
| 3.10 | 0.122 | 11.30 | 0.445 |
| 3.50 | 0.138 | 12.00 | 0.472 |
| 3.80 | 0.150 | 15.16 | 0.597 |
| 3.90 | 0.154 | 15.26 | 0.601 |
| 5.08 | 0.200 | 16.44 | 0.647 |
| 7.90 | 0.311 | 17.00 | 0.669 |



^bGray available, please consult Altech

Standoff foot for improved plug accessibility



STLZ11-O Horizontal - Open Ends

Pin Spacing 5.08mm (.200)

Use with AKZ950, BU02, BU04, AKZ1200 Plugs

| Current | Voltage |
|---------|---------|
| 12A | 250V |
| 15A | 300V |
| 15A | 300V |

| Type | Cat. No. | Length L mm (in.) | Std. Pk. |
|-------------|----------|----------------------|----------|
| STLZ11/2-o | 38.902 | 10.16 (.40) | 100 |
| STLZ11/3-o | 38.903 | 15.26 (.60) | 100 |
| STLZ11/4-o | 38.904 | 20.30 (.80) | 50 |
| STLZ11/5-o | 38.905 | 25.31 (1.00) | 50 |
| STLZ11/6-o | 38.906 | 30.35 (1.20) | 50 |
| STLZ11/7-o | 38.907 | 35.45 (1.40) | 30 |
| STLZ11/8-o | 38.908 | 40.79 (1.60) | 30 |
| STLZ11/9-o | 38.909 | 45.86 (1.80) | 30 |
| STLZ11/10-o | 38.910 | 50.80 (2.00) | 30 |



STLZ955-W Vertical - Closed Ends

Pin Spacing 5.08mm (.200)

Use with AKZ950, BU02, BU04, AKZ1200 Plugs

| Current | Voltage |
|---------|---------|
| 12A | 250V |
| 15A | 300V |
| 15A | 300V |

| Type | Cat. No. | Length L mm (in.) | Std. Pk. |
|--------------|----------|----------------------|----------|
| STLZ955/2-w | 37.202 | 11.36 (.45) | 100 |
| STLZ955/3-w | 37.203 | 16.44 (.65) | 100 |
| STLZ955/4-w | 37.204 | 21.52 (.85) | 50 |
| STLZ955/5-w | 37.205 | 26.60 (1.05) | 50 |
| STLZ955/6-w | 37.206 | 31.68 (1.25) | 50 |
| STLZ955/7-w | 37.207 | 36.76 (1.45) | 30 |
| STLZ955/8-w | 37.208 | 41.84 (1.65) | 30 |
| STLZ955/9-w | 37.209 | 46.92 (1.85) | 30 |
| STLZ955/10-w | 37.210 | 52.00 (2.05) | 30 |
| STLZ955/11-w | 37.211 | 57.08 (2.25) | 20 |
| STLZ955/12-w | 37.212 | 62.16 (2.45) | 20 |
| STLZ955/13-w | 37.213 | 67.24 (2.65) | 20 |
| STLZ955/14-w | 37.214 | 72.32 (2.85) | 20 |
| STLZ955/15-w | 37.215 | 77.40 (3.05) | 20 |
| STLZ955/16-w | 37.216 | 82.48 (3.25) | 15 |
| STLZ955/17-w | 37.217 | 87.56 (3.45) | 15 |
| STLZ955/18-w | 37.218 | 92.64 (3.65) | 15 |
| STLZ955/19-w | 37.219 | 97.72 (3.85) | 15 |
| STLZ955/20-w | 37.220 | 102.80 (4.05) | 15 |
| STLZ955/21-w | 37.221 | 107.88 (4.25) | 10 |
| STLZ955/22-w | 37.222 | 112.96 (4.45) | 10 |
| STLZ955/23-w | 37.223 | 118.04 (4.65) | 10 |
| STLZ955/24-w | 37.224 | 123.13 (4.85) | 10 |



STLZ955-O Vertical - Open Ends

Pin Spacing 5.08mm (.200)

Use with AKZ950, BU02, BU04, AKZ1200 Plugs

| Current | Voltage |
|---------|---------|
| 12A | 250V |
| 15A | 300V |
| 15A | 300V |

| Type | Cat. No. | Length L mm (in.) | Std. Pk. |
|--------------|----------|----------------------|----------|
| STLZ955/2-o | 37.502 | 10.08 (.40) | 100 |
| STLZ955/3-o | 37.503 | 15.16 (.59) | 100 |
| STLZ955/4-o | 37.504 | 20.24 (.80) | 50 |
| STLZ955/5-o | 37.505 | 25.32 (1.00) | 50 |
| STLZ955/6-o | 37.506 | 30.40 (1.20) | 50 |
| STLZ955/7-o | 37.507 | 35.48 (1.40) | 30 |
| STLZ955/8-o | 37.508 | 40.56 (1.60) | 30 |
| STLZ955/9-o | 37.509 | 45.64 (1.80) | 30 |
| STLZ955/10-o | 37.510 | 50.72 (2.00) | 30 |
| STLZ955/11-o | 37.511 | 55.80 (2.20) | 20 |
| STLZ955/12-o | 37.512 | 60.88 (2.40) | 20 |
| STLZ955/13-o | 37.513 | 65.96 (2.60) | 20 |
| STLZ955/14-o | 37.514 | 71.04 (2.80) | 20 |
| STLZ955/15-o | 37.515 | 76.12 (3.00) | 20 |
| STLZ955/16-o | 37.516 | 81.20 (3.20) | 15 |
| STLZ955/17-o | 37.517 | 86.28 (3.40) | 15 |
| STLZ955/18-o | 37.518 | 91.36 (3.60) | 15 |
| STLZ955/19-o | 37.519 | 96.44 (3.80) | 15 |
| STLZ955/20-o | 37.520 | 101.52 (4.00) | 15 |
| STLZ955/21-o | 37.521 | 106.60 (4.20) | 10 |
| STLZ955/22-o | 37.522 | 111.68 (4.40) | 10 |
| STLZ955/23-o | 37.523 | 116.76 (4.60) | 10 |
| STLZ955/24-o | 37.524 | 121.84 (4.80) | 10 |



STANDARD PLUGGABLE PRINTED CIRCUIT US Pin Spacing^a Headers

The 45° header orientation facilitates plug insertion and removal in hard to access spaces.

Closed end headers prevent misplugging.

- Multipole, Single Mold Construction
- Industry Standard Compatible
- Open and Closed Ends
- Housing Material: Polyamide 6.6
- Standard Color: Green



STLZ990-W
Header
45° - Closed Ends

Pin Spacing 5.08mm (.200)

Use with AKZ950, BU02, BU04, AKZ1200 Plugs



STLZ990-O
Header
45° - Open Ends

Pin Spacing 5.08mm (.200)

Use with AKZ950, BU02, BU04, AKZ1200 Plugs

^aBlocks with metric pin spacing begin on page 132.

Ratings



| Current | Voltage |
|---------|---------|
| 12A | 250V |
| 15A | 300V |
| 15A | 300V |

| Current | Voltage |
|---------|---------|
| 12A | 250V |
| 15A | 300V |
| 15A | 300V |

| Ordering Information | | No. of Poles | Type | Cat. No. | Length L mm (in.) | Std. Pk. | Type | Cat. No. | Length L mm (in.) | Std. Pk. |
|-------------------------------|--|--------------|--------------|----------|-------------------|----------|--------------|----------|-------------------|----------|
| Header, US (Inch) Pin Spacing | | 2 | STLZ990/2-w | 37.652 | 11.36 (.45) | 100 | STLZ990/2-o | 37.752 | 10.20 (.40) | 100 |
| | | 3 | STLZ990/3-w | 37.653 | 16.44 (.65) | 100 | STLZ990/3-o | 37.753 | 15.29 (.60) | 100 |
| | | 4 | STLZ990/4-w | 37.654 | 21.52 (.85) | 50 | STLZ990/4-o | 37.754 | 20.37 (.80) | 50 |
| | | 5 | STLZ990/5-w | 37.655 | 26.60 (1.05) | 50 | STLZ990/5-o | 37.755 | 25.45 (1.00) | 50 |
| | | 6 | STLZ990/6-w | 37.656 | 31.68 (1.25) | 50 | STLZ990/6-o | 37.756 | 30.53 (1.20) | 50 |
| | | 7 | STLZ990/7-w | 37.657 | 36.76 (1.45) | 30 | STLZ990/7-o | 37.757 | 35.61 (1.40) | 30 |
| | | 8 | STLZ990/8-w | 37.658 | 41.84 (1.65) | 30 | STLZ990/8-o | 37.758 | 40.69 (1.60) | 30 |
| | | 9 | STLZ990/9-w | 37.659 | 46.92 (1.85) | 30 | STLZ990/9-o | 37.759 | 45.77 (2.00) | 30 |
| | | 10 | STLZ990/10-w | 37.660 | 52.00 (2.05) | 30 | STLZ990/10-o | 37.760 | 50.85 (2.00) | 30 |
| | | 11 | STLZ990/11-w | 37.661 | 57.08 (2.25) | 20 | STLZ990/11-o | 37.761 | 55.93 (2.20) | 20 |
| | | 12 | STLZ990/12-w | 37.662 | 62.16 (2.45) | 20 | STLZ990/12-o | 37.762 | 61.01 (2.40) | 20 |
| | | 13 | STLZ990/13-w | 37.663 | 67.24 (2.65) | 20 | STLZ990/13-o | 37.763 | 66.09 (2.60) | 20 |
| | | 14 | STLZ990/14-w | 37.664 | 72.32 (2.85) | 20 | STLZ990/14-o | 37.764 | 71.17 (2.80) | 20 |
| | | 15 | STLZ990/15-w | 37.665 | 77.40 (3.05) | 20 | STLZ990/15-o | 37.765 | 76.25 (3.00) | 20 |
| | | 16 | STLZ990/16-w | 37.666 | 82.48 (3.25) | 15 | STLZ990/16-o | 37.766 | 81.33 (3.20) | 15 |
| | | 17 | STLZ990/17-w | 37.667 | 87.56 (3.45) | 15 | STLZ990/17-o | 37.767 | 86.41 (3.40) | 15 |
| | | 18 | STLZ990/18-w | 37.668 | 92.64 (3.65) | 15 | STLZ990/18-o | 37.768 | 91.49 (3.60) | 15 |
| | | 19 | STLZ990/19-w | 37.669 | 97.72 (3.85) | 15 | STLZ990/19-o | 37.769 | 96.57 (3.80) | 15 |
| | | 20 | STLZ990/20-w | 37.670 | 102.80 (4.05) | 15 | STLZ990/20-o | 37.770 | 101.65 (4.00) | 15 |
| | | 21 | STLZ990/21-w | 37.671 | 107.88 (4.25) | 10 | STLZ990/21-o | 37.771 | 106.73 (4.20) | 10 |
| | | 22 | STLZ990/22-w | 37.672 | 112.96 (4.45) | 10 | STLZ990/22-o | 37.772 | 111.81 (4.40) | 10 |
| | | 23 | STLZ990/23-w | 37.673 | 118.04 (4.65) | 10 | STLZ990/23-o | 37.773 | 116.89 (4.60) | 10 |
| | | 24 | STLZ990/24-w | 37.674 | 123.13 (4.85) | 10 | STLZ990/24-o | 37.774 | 121.97 (4.80) | 10 |

| Dimensions | | | |
|------------|-------|-------|-------|
| mm | in. | mm | in. |
| 1.00 | 0.039 | 5.08 | 0.200 |
| 2.56 | 0.101 | 14.00 | 0.551 |
| 3.14 | 0.124 | 14.50 | 0.571 |
| 3.50 | 0.138 | 16.50 | 0.650 |
| 3.90 | 0.154 | | |



STANDARD PLUGGABLE PRINTED CIRCUIT US Pin Spacing^a Double Level Headers

Horizontal and vertical open end headers offer different wire entry options and enhance plug accessibility. Ideal for applications where board real estate is limited or where high density wiring is required.

- Multipole, Modular Construction
- High Density
- Horizontal or Vertical, Open Ends
- Housing Material: Polyamide 6.6
- Standard Color: Green

^aBlocks with metric pin spacing begin on page 132.



STLZ970-0
Header
Horizontal - Open Ends

Pin Spacing 5.08mm (.200)

Use with AKZ950, AKZ1200 Plugs



STLZ975-0
Header
Vertical - Open Ends

Pin Spacing 5.08mm (.200)

Use with AKZ950, AKZ1200 Plugs

Ratings
IEC/VDE
(File No. E101811)
(File No. LR68503)

Current
12A
15A
15A

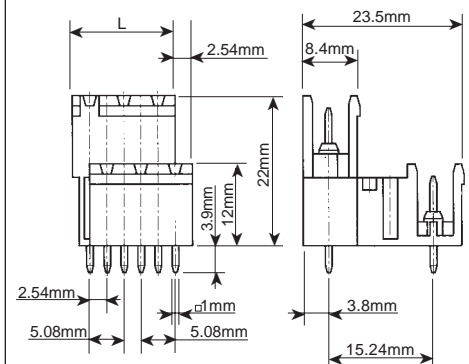
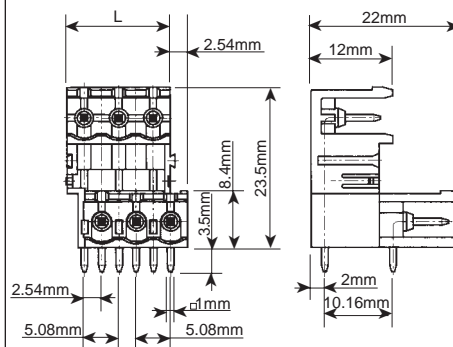
Voltage
250V
300V
300V

Current
12A
15A
15A

Voltage
250V
300V
300V

| Ordering Information | No. of Poles | Type | Cat. No. | Length L mm (in.) | Std. Pk. | Type | Cat. No. | Length L mm (in.) | Std. Pk. |
|---|--------------|--------------|----------|-------------------|----------|--------------|----------|-------------------|----------|
| Double Level Header, US (Inch) Pin Spacing | 4 | STLZ970/4-o | 37.854 | 12.26 (.48) | 60 | STLZ975/4-o | 37.804 | 12.26 (.48) | 60 |
| | 6 | STLZ970/6-o | 37.856 | 17.34 (.68) | 40 | STLZ975/6-o | 37.806 | 17.34 (.68) | 40 |
| | 8 | STLZ970/8-o | 37.858 | 22.42 (.88) | 30 | STLZ975/8-o | 37.808 | 22.42 (.88) | 30 |
| | 10 | STLZ970/10-o | 37.860 | 27.50 (1.08) | 24 | STLZ975/10-o | 37.810 | 27.50 (1.08) | 24 |
| | 12 | STLZ970/12-o | 37.862 | 32.58 (1.28) | 20 | STLZ975/12-o | 37.812 | 32.58 (1.28) | 20 |
| | 14 | STLZ970/14-o | 37.864 | 37.66 (1.48) | 17 | STLZ975/14-o | 37.814 | 37.66 (1.48) | 17 |
| | 16 | STLZ970/16-o | 37.866 | 42.74 (1.68) | 15 | STLZ975/16-o | 37.816 | 42.74 (1.68) | 15 |
| | 18 | STLZ970/18-o | 37.868 | 47.82 (1.88) | 13 | STLZ975/18-o | 37.818 | 47.82 (1.88) | 13 |
| | 20 | STLZ970/20-o | 37.870 | 52.90 (2.08) | 12 | STLZ975/20-o | 37.820 | 52.90 (2.08) | 12 |
| | 22 | STLZ970/22-o | 37.872 | 57.98 (2.28) | 11 | STLZ975/22-o | 37.822 | 57.98 (2.28) | 11 |
| | 24 | STLZ970/24-o | 37.874 | 63.06 (2.48) | 10 | STLZ975/24-o | 37.824 | 63.06 (2.48) | 10 |
| | 26 | STLZ970/26-o | 37.876 | 68.14 (2.68) | 9 | STLZ975/26-o | 37.826 | 68.14 (2.68) | 9 |
| | 28 | STLZ970/28-o | 37.878 | 73.22 (2.88) | 9 | STLZ975/28-o | 37.828 | 73.22 (2.88) | 9 |
| | 30 | STLZ970/30-o | 37.880 | 78.30 (3.08) | 8 | STLZ975/30-o | 37.830 | 78.30 (3.08) | 8 |
| | 32 | STLZ970/32-o | 37.882 | 83.38 (3.28) | 8 | STLZ975/32-o | 37.832 | 83.38 (3.28) | 8 |
| | 34 | STLZ970/34-o | 37.884 | 88.46 (3.48) | 7 | STLZ975/34-o | 37.834 | 88.46 (3.48) | 7 |
| | 36 | STLZ970/36-o | 37.886 | 93.54 (3.68) | 7 | STLZ975/36-o | 37.836 | 93.54 (3.68) | 7 |
| | 38 | STLZ970/38-o | 37.888 | 98.62 (3.88) | 6 | STLZ975/38-o | 37.838 | 98.62 (3.88) | 6 |
| | 40 | STLZ970/40-o | 37.890 | 103.70 (4.08) | 6 | STLZ975/40-o | 37.840 | 103.70 (4.08) | 6 |
| | 42 | STLZ970/42-o | 37.892 | 108.78 (4.28) | 6 | STLZ975/42-o | 37.842 | 108.78 (4.28) | 6 |
| | 44 | STLZ970/44-o | 37.894 | 113.86 (4.48) | 5 | STLZ975/44-o | 37.844 | 113.86 (4.48) | 5 |
| | 46 | STLZ970/46-o | 37.896 | 118.94 (4.68) | 5 | STLZ975/46-o | 37.846 | 118.94 (4.68) | 5 |
| | 48 | STLZ970/48-o | 37.898 | 124.02 (4.88) | 5 | STLZ975/48-o | 37.848 | 124.02 (4.88) | 5 |

| mm | in. | mm | in. |
|------|-------|-------|-------|
| 1.00 | 0.039 | 10.16 | 0.400 |
| 2.00 | 0.079 | 12.00 | 0.472 |
| 2.54 | 0.100 | 15.24 | 0.600 |
| 3.50 | 0.138 | 22.00 | 0.866 |
| 3.80 | 0.150 | 23.50 | 0.925 |
| 5.08 | 0.200 | | |
| 8.40 | 0.331 | | |



MAXI-PLUGGABLE PRINTED CIRCUIT US Pin Spacing^a Screw-Cage Clamp Plug

For standard industrial plug-in applications where multiple wire-to-board connections must be made quickly and simultaneously.

Reduce wiring mistakes, downtime and facilitate troubleshooting. Simply unplug defective board and plug in a new one.

- Multipole, Single Mold Construction
- Industry Standard Compatible
- Locking Tabs Prevent Unplugging
- Optional Keying Prevents Misplugging
- Housing Material: Polyamide 6.6
- Standard Color: Green



AKZ960 Plug

Wire Entry in Same Direction as Plug-In

Pole Spacing 7.62mm (.300)
Stripping Length 7mm (.276)
Screw Hole Diameter 4mm (.158)

Use with STLZ960-W, STLZ965-W Headers

^aBlocks with metric pin spacing begin on page 132.

Ratings

IEC/VDE
UL (File No. E101811)
CSA (File No. LR68503)

| Wire Range | Current | Voltage |
|------------------------|---------|---------|
| 0.5-2.5mm ² | 12A | 400V |
| 22-12 AWG | 15A | 300V |
| 28-12 AWG | 16A | 300V |

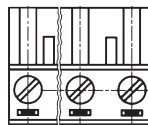
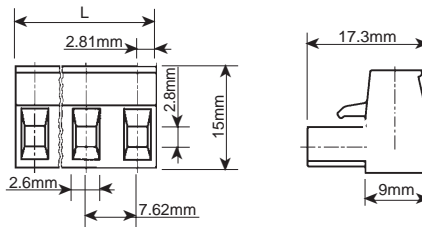
Ordering Information

No. of Poles

Plug, US (Inch) Pole Spacing

| Type | Cat. No. | Length L mm (in.) | Std. Pk. |
|-----------|----------|----------------------|----------|
| AKZ960/2 | 38.002 | 13.27 (.52) | 100 |
| AKZ960/3 | 38.003 | 20.86 (.82) | 100 |
| AKZ960/4 | 38.004 | 28.48 (1.12) | 50 |
| AKZ960/5 | 38.005 | 36.10 (1.42) | 50 |
| AKZ960/6 | 38.006 | 43.72 (1.72) | 50 |
| AKZ960/7 | 38.007 | 51.34 (2.02) | 30 |
| AKZ960/8 | 38.008 | 58.96 (2.32) | 30 |
| AKZ960/9 | 38.009 | 66.58 (2.62) | 30 |
| AKZ960/10 | 38.010 | 74.20 (2.92) | 30 |
| AKZ960/11 | 38.011 | 81.82 (3.22) | 20 |
| AKZ960/12 | 38.012 | 89.44 (3.52) | 20 |
| AKZ960/13 | 38.013 | 97.06 (3.82) | 20 |
| AKZ960/14 | 38.014 | 104.68 (4.12) | 20 |
| AKZ960/15 | 38.015 | 112.30 (4.42) | 20 |
| AKZ960/16 | 38.016 | 119.92 (4.72) | 15 |

| mm | in. | Dimensions | mm | in. |
|------|-------|------------|-------|-------|
| 2.60 | 0.102 | | 9.00 | 0.354 |
| 2.80 | 0.110 | | 15.00 | 0.591 |
| 2.81 | 0.111 | | 17.30 | 0.681 |
| 7.62 | 0.300 | | | |



MAXI-PLUGGABLE PRINTED CIRCUIT US Pin Spacing^a Headers

Horizontal or vertical headers offer different wire entry options and enhance plug accessibility. Closed end headers prevent misplugging.

- Multipole, Single Mold Construction
- Industry Standard Compatible
- Horizontal and Vertical, Closed Ends
- Housing Material: Polyamide 6.6
- Standard Color: Green

Ratings
IEC/VDE
UL (File No. E101811)
CSA (File No. LR68503)

| Ordering Information | No. of Poles |
|-------------------------------|--------------|
| Header, US (Inch) Pin Spacing | 2 |
| | 3 |
| | 4 |
| | 5 |
| | 6 |
| | 7 |
| | 8 |
| | 9 |
| | 10 |
| | 11 |
| | 12 |
| | 13 |
| | 14 |
| | 15 |
| | 16 |

| Dimensions | | | |
|------------|-------|-------|-------|
| mm | in. | mm | in. |
| 1.00 | 0.390 | 3.90 | 0.015 |
| 2.00 | 0.079 | 7.62 | 0.300 |
| 3.50 | 0.138 | 7.90 | 0.311 |
| 3.80 | 0.150 | 8.40 | 0.331 |
| 3.81 | 0.150 | 12.00 | 0.472 |



STLZ960-W

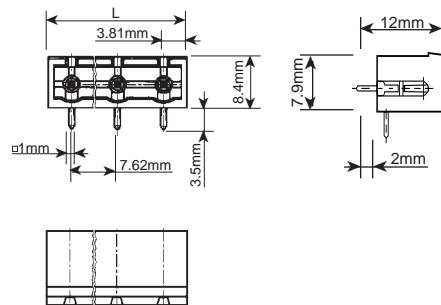
Horizontal Header - Closed Ends

Pin Spacing 7.62mm (.300)

Use with AKZ960 Plug

| Current | Voltage |
|---------|---------|
| 12A | 400V |
| 15A | 300V |
| 16A | 300V |

| Type | Cat. No. | Length L mm (in.) | Std. Pk. |
|--------------|----------|-------------------|----------|
| STLZ960/2-w | 38.102 | 15.24 (.60) | 100 |
| STLZ960/3-w | 38.103 | 22.86 (.90) | 100 |
| STLZ960/4-w | 38.104 | 30.48 (1.20) | 50 |
| STLZ960/5-w | 38.105 | 38.10 (1.50) | 50 |
| STLZ960/6-w | 38.106 | 45.72 (1.80) | 50 |
| STLZ960/7-w | 38.107 | 53.34 (2.10) | 30 |
| STLZ960/8-w | 38.108 | 60.96 (2.40) | 30 |
| STLZ960/9-w | 38.109 | 68.58 (2.70) | 30 |
| STLZ960/10-w | 38.110 | 76.20 (3.00) | 30 |
| STLZ960/11-w | 38.111 | 83.82 (3.30) | 20 |
| STLZ960/12-w | 38.112 | 91.44 (3.60) | 20 |
| STLZ960/13-w | 38.113 | 99.06 (3.90) | 20 |
| STLZ960/14-w | 38.114 | 106.68 (4.20) | 20 |
| STLZ960/15-w | 38.115 | 114.30 (4.50) | 20 |
| STLZ960/16-w | 38.116 | 121.92 (4.80) | 15 |



STLZ965-W

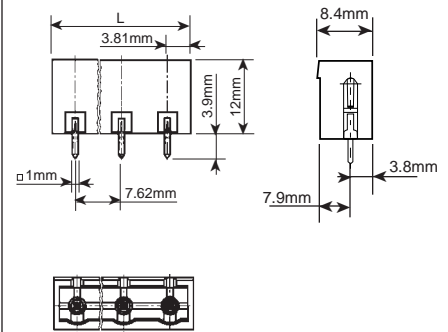
Vertical Header - Closed Ends

Pin Spacing 7.62mm (.300)

Use with AKZ960 Plug

| Current | Voltage |
|---------|---------|
| 12A | 400V |
| 15A | 300V |
| 16A | 300V |

| Type | Cat. No. | Length L mm (in.) | Std. |
|--------------|----------|-------------------|------|
| STLZ965/2-w | 38.202 | 15.24 (.60) | 100 |
| STLZ965/3-w | 38.203 | 22.86 (.90) | 100 |
| STLZ965/4-w | 38.204 | 30.48 (1.20) | 50 |
| STLZ965/5-w | 38.205 | 38.10 (1.50) | 50 |
| STLZ965/6-w | 38.206 | 45.72 (1.80) | 50 |
| STLZ965/7-w | 38.207 | 53.34 (2.10) | 30 |
| STLZ965/8-w | 38.208 | 60.96 (2.40) | 30 |
| STLZ965/9-w | 38.209 | 68.58 (2.70) | 30 |
| STLZ965/10-w | 38.210 | 76.20 (3.00) | 30 |
| STLZ965/11-w | 38.211 | 83.82 (3.30) | 20 |
| STLZ965/12-w | 38.212 | 91.44 (3.60) | 20 |
| STLZ965/13-w | 38.213 | 99.06 (3.90) | 20 |
| STLZ965/14-w | 38.214 | 106.68 (4.20) | 20 |
| STLZ965/15-w | 38.215 | 114.30 (4.50) | 20 |
| STLZ965/16-w | 38.216 | 121.92 (4.80) | 15 |



Mouser Electronics

Authorized Distributor

Click to View Pricing, Inventory, Delivery & Lifecycle Information:

Altech:

[36.253I](#) [30.306IA](#) [36.306IA](#) [38.002IA](#) [34.756](#) [34.758](#) [34.754](#) [37.721IA](#) [30.713IA](#) [37.713IA](#) [30.302IA](#) [36.302IA](#)
[36.053IA](#) [39.155](#) [39.153](#) [39.152](#) [39.154](#) [30.053/BLU](#) [36.403](#) [36.407](#) [36.405](#) [36.409](#) [36.408](#) [36.404](#) [36.402](#)
[36.406](#) [36.411](#) [36.415](#) [36.413](#) [36.461](#) [36.465](#) [36.464](#) [36.460](#) [36.462](#) [36.454](#) [36.458](#) [36.456](#) [36.452](#) [36.455](#)
[36.453](#) [36.457](#) [36.416](#) [36.412](#) [36.410](#) [36.414](#) [34.109IA](#) [32.081IA](#) [36.004](#) [36.008](#) [36.006](#) [36.002](#) [36.009](#) [36.005](#)
[36.003](#) [36.007](#) [36.061](#) [36.063](#) [36.060](#) [36.064](#) [36.062](#) [36.066](#) [36.065](#) [36.011](#) [36.015](#) [36.052](#) [36.056](#) [36.054](#)
[36.058](#) [36.057](#) [36.053](#) [36.059](#) [36.055](#) [36.012](#) [36.016](#) [36.014](#) [36.010](#) [36.013](#) [30.605/BLU](#) [30.305/BLU](#)
[30.105/BLU](#) [30.205/BLU](#) [36.006IA](#) [32.006IA](#) [37.006IA](#) [30.602IA](#) [37.014IA](#) [34.014IA](#) [37.760](#) [37.762](#) [37.752](#)
[37.754](#) [37.758](#) [37.759](#) [37.513](#) [37.512](#) [37.516](#) [37.507](#) [37.503](#) [37.509](#) [37.505](#)