

阅读申明

- 1.本站收集的数据手册和产品资料都来自互联网，版权归原作者所有。如读者和版权方有任何异议请及时告之，我们将妥善解决。
- 2.本站提供的中文数据手册是英文数据手册的中文翻译，其目的是协助用户阅读，该译文无法自动跟随原稿更新，同时也可能存在翻译上的不当。建议读者以英文原稿为参考以便获得更精准的信息。
- 3.本站提供的产品资料，来自厂商的技术支持或者使用者的心得体会等，其内容可能存在描述上的差异，建议读者做出适当判断。
- 4.如需与我们联系，请发邮件到marketing@iczoom.com，主题请标有“数据手册”字样。

Read Statement

1. The datasheets and other product information on the site are all from network reference or other public materials, and the copyright belongs to the original author and original published source. If readers and copyright owners have any objections, please contact us and we will deal with it in a timely manner.
2. The Chinese datasheets provided on the website is a Chinese translation of the English datasheets. Its purpose is for reader's learning exchange only and do not involve commercial purposes. The translation cannot be automatically updated with the original manuscript, and there may also be improper translations. Readers are advised to use the English manuscript as a reference for more accurate information.
3. All product information provided on the website refer to solutions from manufacturers' technical support or users the contents may have differences in description, and readers are advised to take the original article as the standard.
4. If you have any questions, please contact us at marketing@iczoom.com and mark the subject with "Datasheets" .

Printview: Female connector; with locking levers; 6-pole; Pin spacing 3.5 mm / 0.138 in; 100% protected against mismatching; codable - Item No.: 734-106/037-000



Female connector; with locking levers; 6-pole; Pin spacing 3.5 mm / 0.138 in; 100% protected against mismatching; codable

Item No.: 734-106/037-000



Female connector; with locking levers; 6-pole; Pin spacing 3.5 mm / 0.138 in; 100% protected against mismatching; codable

Marking

RoHS ✓
Compliant

Business data

Supplier	WAGO
Item no.	734-106/037-000
GTIN / EAN	4044918493031
Content	1
Order amount	50
Customer item number	

Notes

Item description: Universal connection for all conductor types Easy cable pre-assembly and on-unit wiring via vertical and horizontal CAGE CLAMP® actuation Strain relief plates and housings for in-the-field assembly 100% protected against mismatching Coding option available

Technical data

Miscellaneous

Packaging type	BOX
Ratings per	IEC/EN 60664-1

Printview: Female connector; with locking levers; 6-pole; Pin spacing 3.5 mm / 0.138 in; 100% protected against mismatching; codable - Item No.: 734-106/037-000

Technical data	
Rated voltage (III / 3) [V]	160 [V]
Rated impulse voltage (III / 3) [kV]	2.5 [kV]
Rated voltage (III/2) [V]	160 [V]
Rated impulse voltage (III / 2) [kV]	2.5 [kV]
Rated voltage (II / 2) [V]	320 [V]
Rated impulse voltage (II / 2) [kV]	2.5 [kV]
Rated current [A]	10 [A]
Legend (ratings)	(III / 2) Overvoltage category III / Pollution degree 2
Approvals per	UL 1059
Rated voltage UL (Use Group B) [V]	300 [V]
Rated current UL (Use Group B) [A]	10 [A]
Rated voltage UL (Use Group D) [V]	300 [V]
Rated current UL (Use Group D) [A]	10 [A]
Rated voltage CSA (Use Group B) [V]	300 [V]
Rated current CSA (Use Group B) [A]	10 [A]
Rated voltage CSA (Use Group D) [V]	300 [V]
Rated current CSA (Use Group D) [A]	10 [A]
Total number of potentials	6
Number of connection types	1
Number of levels	1
Connection technology	CAGE CLAMP®
Number of connection points (connection type)	1
Actuation type	Operating tool
Solid conductor	0.08 ... 1.5 mm ² / 28 ... 14 AWG
Fine-stranded conductor	0.08 ... 1.5 mm ² / 28 ... 14 AWG
Fine-stranded conductor with ferrule with plastic collar	0.25 ... 1.5 mm ² / ...
Fine-stranded conductor with ferrule without plastic collar	0.25 ... 1.5 mm ² / ...
Strip length	6 ... 7 mm / 0.24 ... 0.28 Inch
Pin spacing	3.5 mm (0.138 in)
Width	32.8 mm / 1.291 Inch
Height	13.4 mm / 0.528 Inch
Depth	18.6 mm / 0.732 Inch
No. of poles	6
Contact type (pluggable connector)	Female connector/socket

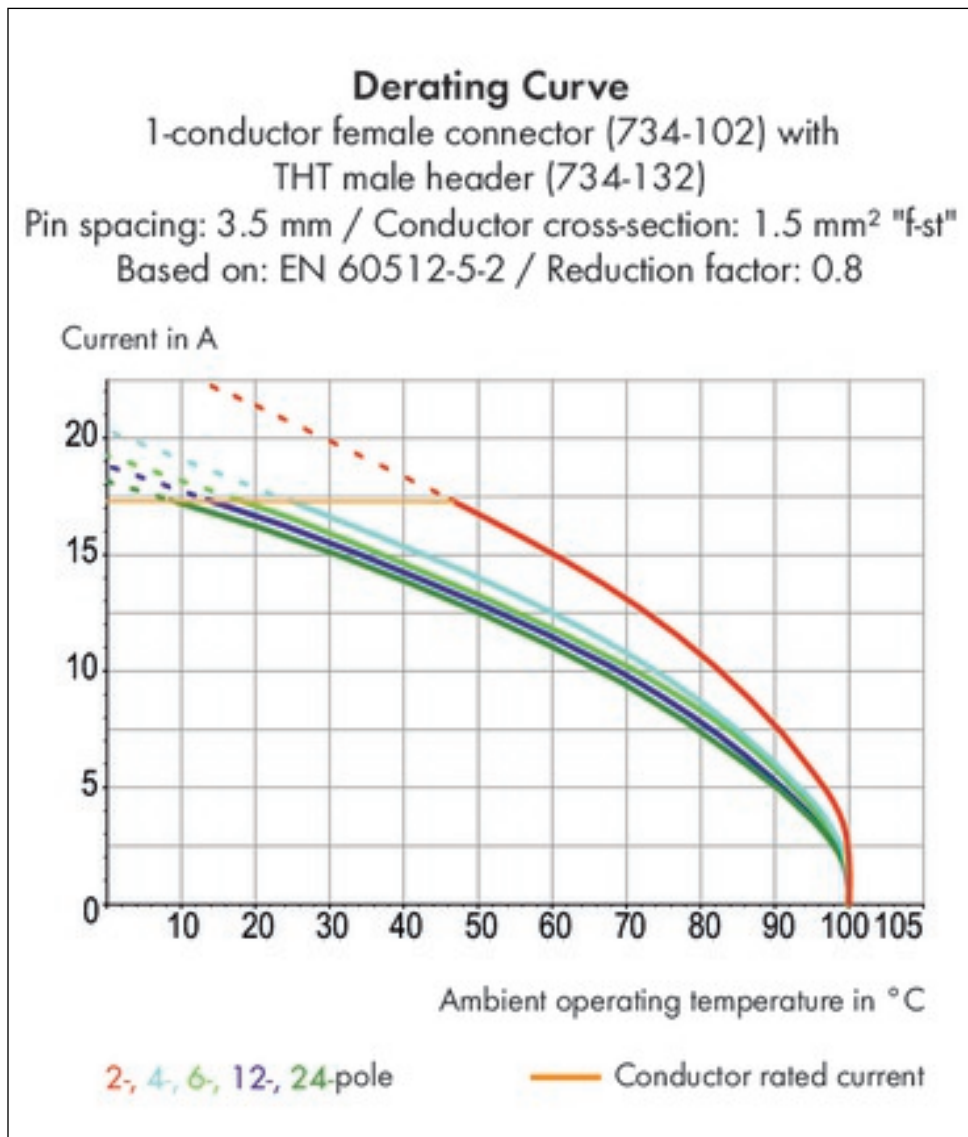
Printview: Female connector; with locking levers; 6-pole; Pin spacing 3.5 mm / 0.138 in; 100% protected against mismatching; codable - Item No.: 734-106/037-000

Technical data	
<i>Connector connection type</i>	<i>for conductors</i>
<i>Mismatching protection</i>	<i>1</i>
<i>Locking of plug-in connection</i>	<i>locking lever</i>
<i>Total number of connection points</i>	<i>6</i>
<i>Color</i>	<i>light gray</i>
<i>Material group</i>	<i>I</i>
<i>Insulating material</i>	<i>Polyamide 66 (PA 66)</i>
<i>Flammability class per UL94</i>	<i>V0</i>
<i>Clamping spring material</i>	<i>Chrome nickel spring steel (CrNi)</i>
<i>Contact material</i>	<i>Copper alloy</i>
<i>Contact plating</i>	<i>tin-plated</i>
<i>Fire load [MJ]</i>	<i>0.089 [MJ]</i>
<i>RoHS Conformity</i>	<i>1</i>
<i>Weight [g]</i>	<i>5.151 [g]</i>
<i>Limit temperature range</i>	<i>-60 ... 100 °C</i>

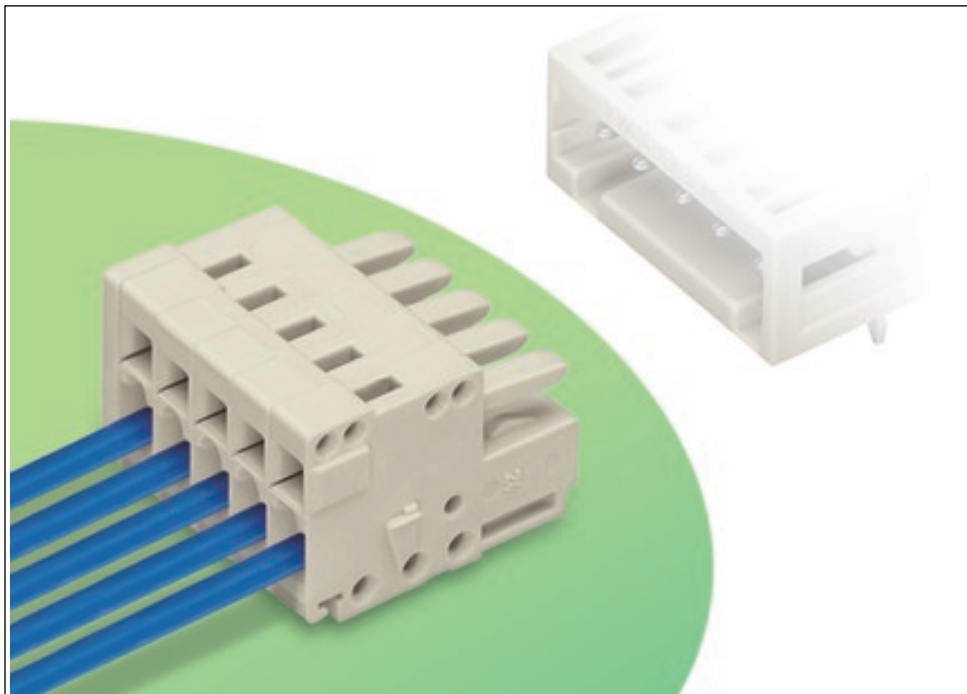
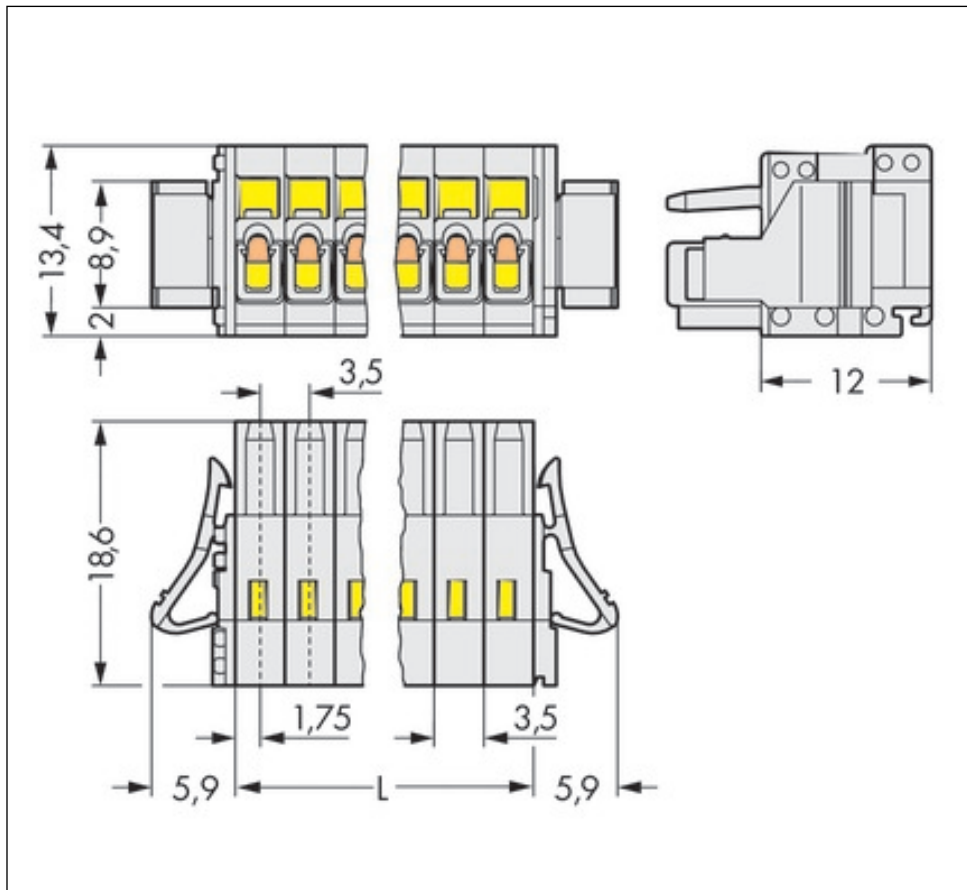
Printview: Female connector; with locking levers; 6-pole; Pin spacing 3.5 mm / 0.138 in; 100% protected against mismatching; codable - Item No.: 734-106/037-000

Images & drawings





Printview: Female connector; with locking levers; 6-pole; Pin spacing 3.5 mm / 0.138 in; 100% protected against mismatching; codable - Item No.: 734-106/037-000



Address

WAGO Kontakttechnik GmbH & Co. KG

Hansastr. 27

32423 Minden

Telefon: 0571/887-0

Fax: 0571/887-169

<http://www.wago.com>

© WAGO Kontakttechnik GmbH & Co. KG

Technische Änderungen und Irrtümer vorbehalten.