

## 阅读申明

- 1.本站收集的数据手册和产品资料都来自互联网，版权归原作者所有。如读者和版权方有任何异议请及时告之，我们将妥善解决。
- 2.本站提供的中文数据手册是英文数据手册的中文翻译，其目的是协助用户阅读，该译文无法自动跟随原稿更新，同时也可能存在翻译上的不当。建议读者以英文原稿为参考以便获得更精准的信息。
- 3.本站提供的产品资料，来自厂商的技术支持或者使用者的心得体会等，其内容可能存在描述上的差异，建议读者做出适当判断。
- 4.如需与我们联系，请发邮件到marketing@iczoom.com，主题请标有“数据手册”字样。

## Read Statement

1. The datasheets and other product information on the site are all from network reference or other public materials, and the copyright belongs to the original author and original published source. If readers and copyright owners have any objections, please contact us and we will deal with it in a timely manner.
2. The Chinese datasheets provided on the website is a Chinese translation of the English datasheets. Its purpose is for reader's learning exchange only and do not involve commercial purposes. The translation cannot be automatically updated with the original manuscript, and there may also be improper translations. Readers are advised to use the English manuscript as a reference for more accurate information.
3. All product information provided on the website refer to solutions from manufacturers' technical support or users the contents may have differences in description, and readers are advised to take the original article as the standard.
4. If you have any questions, please contact us at marketing@iczoom.com and mark the subject with "Datasheets" .

# TCP

## Thermal Circuit Breaker

### CLIPLINE

Data Sheet  
100212\_04\_en

© PHOENIX CONTACT - 11/2006



### Description

The thermal circuit breaker can be switched back on again, has a compact design and is available in nine finely graded steps for nominal currents from 0.25 A to 10 A. The integrated ON/OFF switching function makes it possible to switch the circuit breaker back on immediately after triggering thus increasing the availability of the system.

The thermal circuit breaker **TCP** can be plugged into UK 6-FSI/C fuse base terminal blocks with screw connection technology and into ST 4-FSI/C terminals with spring-cage connection technology. For both types of terminal blocks, the potential distribution can be conveniently implemented using bridges.



Make sure you always use the latest documentation.  
It can be downloaded at [www.download.phoenixcontact.com](http://www.download.phoenixcontact.com).  
A conversion table is available on the Internet at  
[www.download.phoenixcontact.com/general/7000\\_en\\_00.pdf](http://www.download.phoenixcontact.com/general/7000_en_00.pdf).



This data sheet is valid for all products listed on the following page:

## Ordering Data

### Thermal Circuit Breaker

Description	Type	Order No.	Pcs./Pck.
Thermal miniature circuit breaker, can be plugged onto UK 6-FSI/C... or ST 4-FSI/C... base terminal block			
Nominal current 0.25 A	TCP 0,25A	0712123	20
Nominal current 0.5 A	TCP 0,5A	0712152	20
Nominal current 1 A	TCP 1A	0712194	20
Nominal current 2 A	TCP 2A	0712217	20
Nominal current 3 A	TCP 3A	0712233	20
Nominal current 4 A	TCP 4A	0712259	20
Nominal current 6 A	TCP 6A	0712275	20
Nominal current 8 A	TCP 8A	0712291	20
Nominal current 10 A	TCP 10A	0712314	20

### Accessories

Description	Type	Order No.	Pcs./Pck.
Zack strip, 10-section, white	ZBF 5 (ordering data see CLIPLINE catalog)		

## Technical Data

### Technical Data in Accordance With IEC/DIN VDE

Nominal voltage	250 V AC / 65 V DC
Nominal current	0.25 A ... 10 A
Ambient temperature	-20°C ... +60°C

### Interrupting Capacity $I_{CN}$

For nominal currents of 0.25 A ... 4 A	6 x $I_N$
For nominal currents of 6 A ... 10 A	8 x $I_N$


### Interrupting Capacity (UL 1077)

AC 250 V	2000 A
DC 65 V	200 A

### Service Life

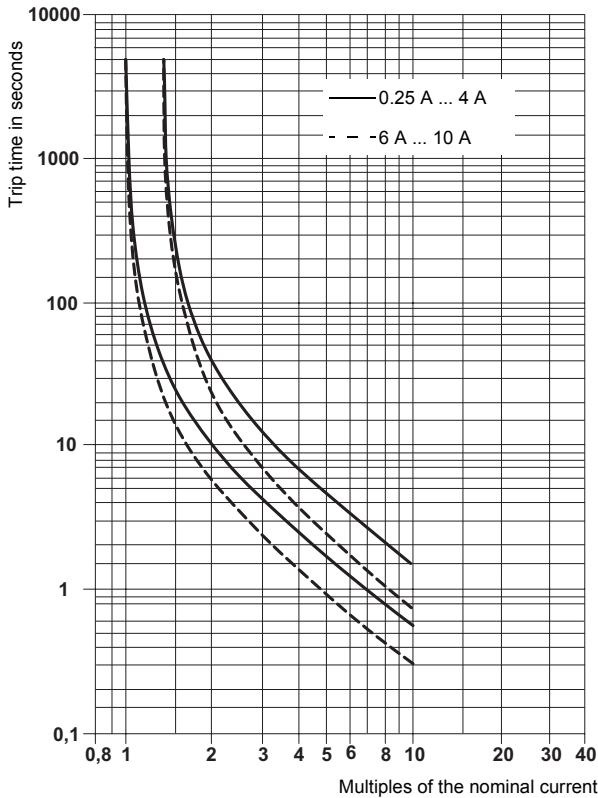
Cycles with 1 x $I_N$ (inductive)	3000
Cycles with 2 x $I_N$ (inductive)	500

### General Data

Rated surge voltage	2.5 kV
Contamination class	2
Surge voltage category	III
Insulating material group	I
Insulating material	PA
Inflammability class in accordance with UL 94	V0
Connection data	250 V AC / 65 V DC
Approvals	

### Time/Current Characteristic Curve

Total interruption period for nominal current, ambient temperature 23°C



The time/current characteristic curve depends on the ambient temperatures. To avoid a premature or late switch-off, the nominal current of the circuit breaker must be multiplied with a temperature factor.

Ambient Temperature [°C]	-20	-10	0	23	40	50	60
Temperature Factor	0.76	0.84	0.92	1	1.08	0.16	1.24

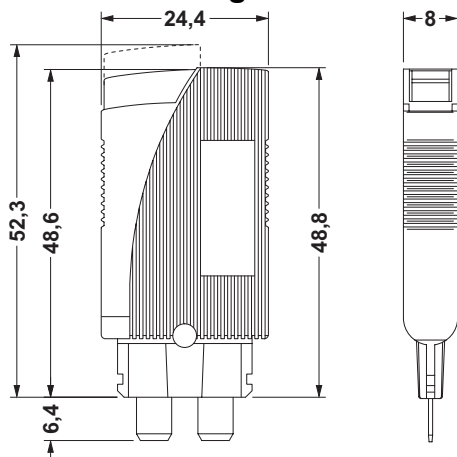


When aligned in a row, the nominal current of the devices can either be transmitted at only 80% or must be oversized accordingly.

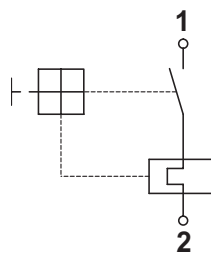
### Nominal Currents and Characteristic Internal Resistances

Nominal Current [A]	Internal Resistance [Ω]
0.25	14
0.5	3.4
1	0.9
2	0.25
3	0.11
4	0.07
6	≤ 0.05
8	≤ 0.05
10	≤ 0.05

### Dimensional Drawing



### Circuit Diagram



© PHOENIX CONTACT 11/2006