

阅读申明

- 1.本站收集的数据手册和产品资料都来自互联网，版权归原作者所有。如读者和版权方有任何异议请及时告之，我们将妥善解决。
- 2.本站提供的中文数据手册是英文数据手册的中文翻译，其目的是协助用户阅读，该译文无法自动跟随原稿更新，同时也可能存在翻译上的不当。建议读者以英文原稿为参考以便获得更精准的信息。
- 3.本站提供的产品资料，来自厂商的技术支持或者使用者的心得体会等，其内容可能存在描述上的差异，建议读者做出适当判断。
- 4.如需与我们联系，请发邮件到marketing@iczoom.com，主题请标有“数据手册”字样。

Read Statement

1. The datasheets and other product information on the site are all from network reference or other public materials, and the copyright belongs to the original author and original published source. If readers and copyright owners have any objections, please contact us and we will deal with it in a timely manner.
2. The Chinese datasheets provided on the website is a Chinese translation of the English datasheets. Its purpose is for reader's learning exchange only and do not involve commercial purposes. The translation cannot be automatically updated with the original manuscript, and there may also be improper translations. Readers are advised to use the English manuscript as a reference for more accurate information.
3. All product information provided on the website refer to solutions from manufacturers' technical support or users the contents may have differences in description, and readers are advised to take the original article as the standard.
4. If you have any questions, please contact us at marketing@iczoom.com and mark the subject with "Datasheets" .

Thermal device circuit breaker - TCP 0.1A - 0712107

Please be informed that the data shown in this PDF Document is generated from our Online Catalog. Please find the complete data in the user's documentation. Our General Terms of Use for Downloads are valid (<http://download.phoenixcontact.com>)



Thermal miniature circuit breaker, pluggable in screw-type fuse terminal block UK 6-FSI/C and spring-cage fuse terminal block ST 4-FSI/C

The illustration shows version TCP 2A

Product description

Thermal miniature circuit breaker, pluggable in screw-type fuse terminal block UK 6-FSI/C and spring-cage fuse terminal block ST 4-FSI/C



Key commercial data

| | |
|--------------------------------------|---|
| Packing unit | 1 |
| Minimum order quantity | 20 |
| GTIN |  4 017918 980337 |
| Weight per piece (including packing) | 0.0 GRM |
| Weight per Piece (excluding packing) | 10.1 GRM |
| Country of origin | INDONESIA |

Technical data

General

| | |
|---|---|
| Note | When mounted in rows, the nominal device current can be limited to just 80% or must be oversized accordingly. |
| Color | black |
| Insulating material | PA |
| Inflammability class according to UL 94 | V0 |

Dimensions

| | |
|------------------|---------|
| Width | 8.2 mm |
| Length | 24.5 mm |
| Height NS 35/7.5 | 55 mm |

Technical data

| | |
|-----------|------------------|
| Fuse | Slow-blow |
| Fuse type | Automatic device |

Thermal device circuit breaker - TCP 0.1A - 0712107

Technical data

Technical data

| | |
|------------------------------------|--|
| Pollution degree | 2 |
| Nominal current I _N | 0.1 A |
| Nominal voltage U _N | 250 V AC |
| Nominal voltage U _N | 65 V DC |
| Switching capacity I _{CN} | (6x I _N for nominal currents 0.25 A to 4 A) |
| Switching capacity I _{CN} | (8x I _N for nominal currents 6 A to 10 A) |
| Ambient temperature (operation) | -20 °C ... 60 °C |

Classifications

eClass

| | |
|------------|----------|
| eClass 4.0 | 27141116 |
| eClass 4.1 | 27141116 |
| eClass 5.0 | 27141116 |
| eClass 5.1 | 27141116 |
| eClass 6.0 | 27141116 |

etim

| | |
|----------|----------|
| ETIM 2.0 | EC000899 |
| ETIM 3.0 | EC000899 |
| ETIM 4.0 | EC000899 |

unspsc

| | |
|---------------|----------|
| UNSPSC 6.01 | 30211812 |
| UNSPSC 7.0901 | 39121411 |
| UNSPSC 11 | 39121411 |
| UNSPSC 12.01 | 39121411 |
| UNSPSC 13.2 | 39121411 |

Approvals

Certificates

Certification

CSA / UL Recognized / VDE approval of drawings / cUL Recognized / cULus Recognized

Certification EX

Certification submitted

Thermal device circuit breaker - TCP 0.1A - 0712107

Approvals

Approval details

| | |
|--------------------|-------|
| CSA | |
| Nominal current IN | 0.1 A |
| Nominal voltage UN | 250 V |

UL Recognized

VDE approval of drawings

cUL Recognized

cULus Recognized

Accessories

Accessories

Marking

Flat zack marker sheet - ZBFM 5/WH:UNBEDRUCKT - 0803595

Flat zack marker sheet, Sheet, white, Unlabeled, Can be labeled with: Plotter, Mounting type: Snap into flat marker groove, P



Flat zack marker sheet - ZBFM 5/OG:UNBEDRUCKT - 0807180

Flat zack marker sheet, Sheet, orange, Unlabeled, Can be labeled with: Plotter, Mounting type: Snap into flat marker groove, P



Flat zack marker sheet - ZBFM 5/SO/CMS - 0803647

Flat zack marker sheet, white, For terminal block width: 5.2 mm



Additional products

Thermal device circuit breaker - TCP 0.1A - 0712107

Accessories

Fuse modular terminal block - ST 4-FSI/C - 3036372



Fuse terminal block for mounting on NS 35, for miniature circuit breakers, terminal width: 8,2 mm, color: Black

Fuse modular terminal block - ST 4-FSI/C-LED 12 - 3036495



Fuse terminal block with LED for mounting on NS 35, for miniature circuit breakers, terminal width: 8.2 mm, color: Black

Fuse modular terminal block - ST 4-FSI/C-LED 24 - 3036505



Fuse terminal block with LED for mounting on NS 35, for miniature circuit breakers, terminal width: 8.2 mm, color: Black

Fuse modular terminal block - UK 6-FSI/C - 3118203



Flat-type fuse terminal block, cross section: 0.2 - 6 mm², AWG: 26 - 8, width: 8.2 mm, color: black

Fuse modular terminal block - UK 6-FSI/C-LED12 - 3001925



Flat-type fuse terminal block, cross section: 0.2 - 6 mm², AWG: 26 - 8, width: 8.2 mm, color: black, with light indicator, voltage

Fuse modular terminal block - UK 6-FSI/C-LED24 - 3001938



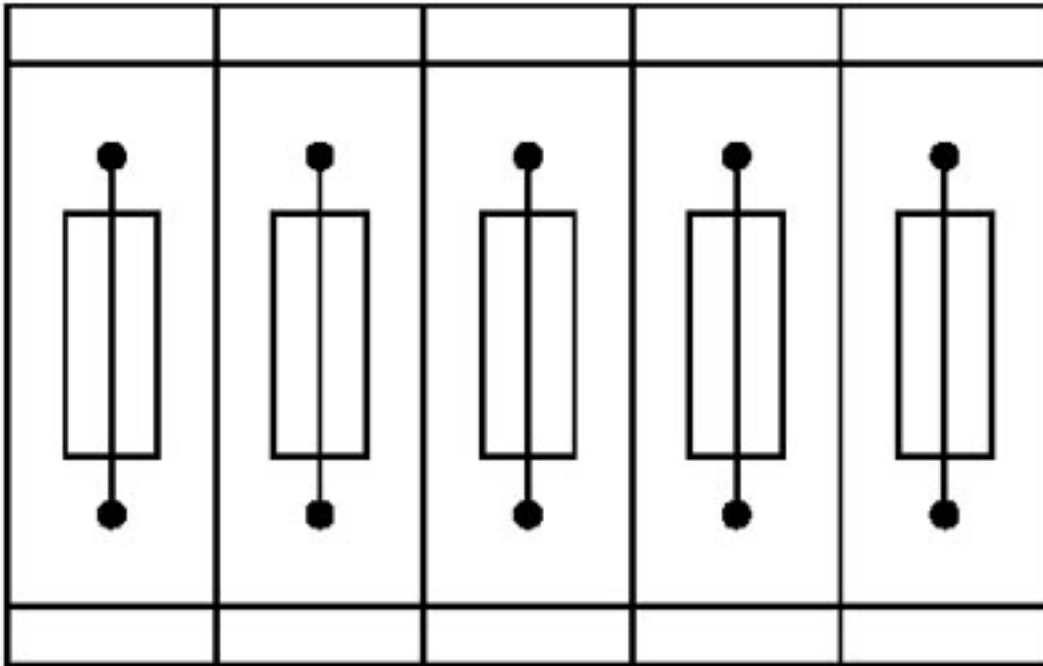
Flat-type fuse terminal block, cross section: 0.2 - 6 mm², AWG: 26 - 8, width: 8.2 mm, color: black, with light indicator, voltage

Thermal device circuit breaker - TCP 0.1A - 0712107

Accessories

Drawings

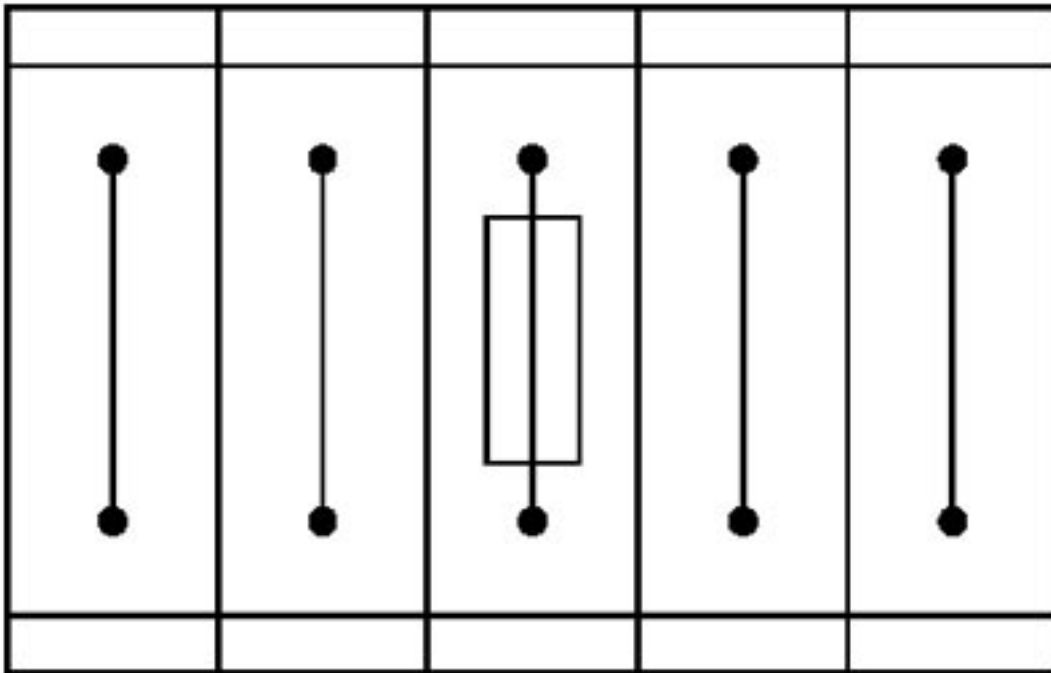
Application drawing



Fuse terminal blocks in interconnected arrangement,
block consisting of 5 fuse terminal blocks

Thermal device circuit breaker - TCP 0.1A - 0712107

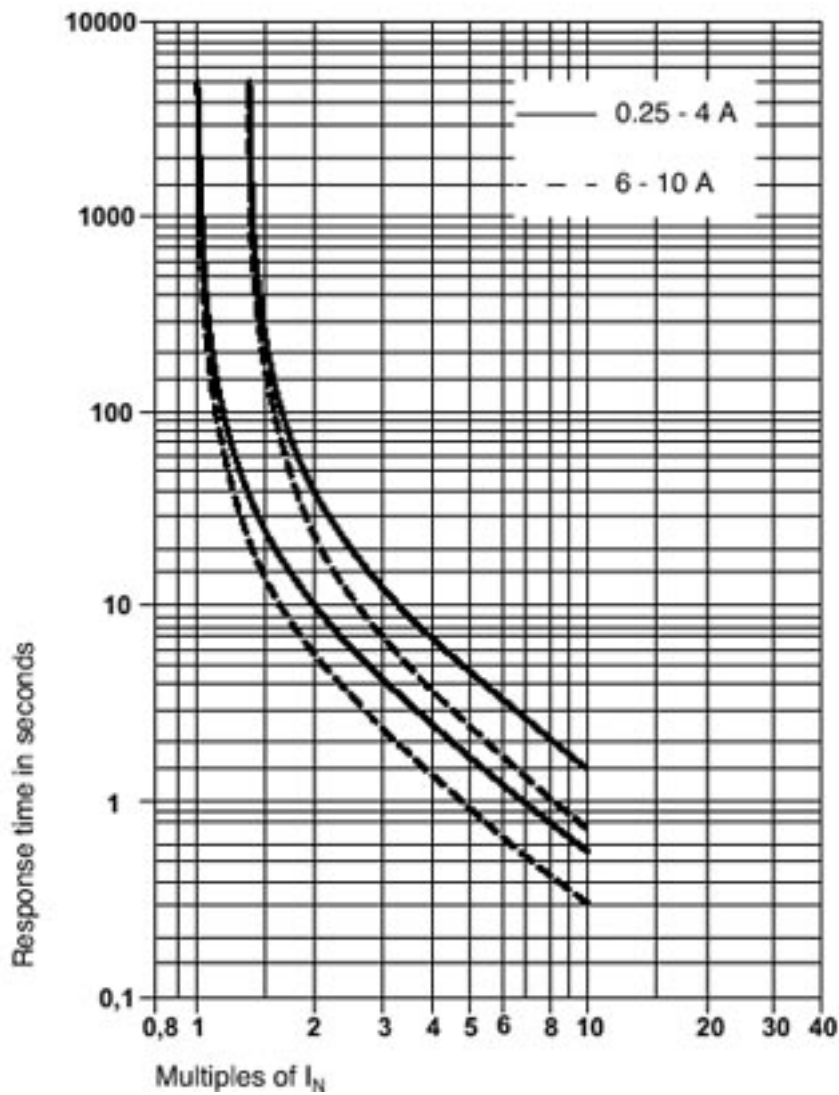
Application drawing



Fuse terminal block in single arrangement,
block consisting of one fuse terminal block and 4 feed-through terminal
blocks

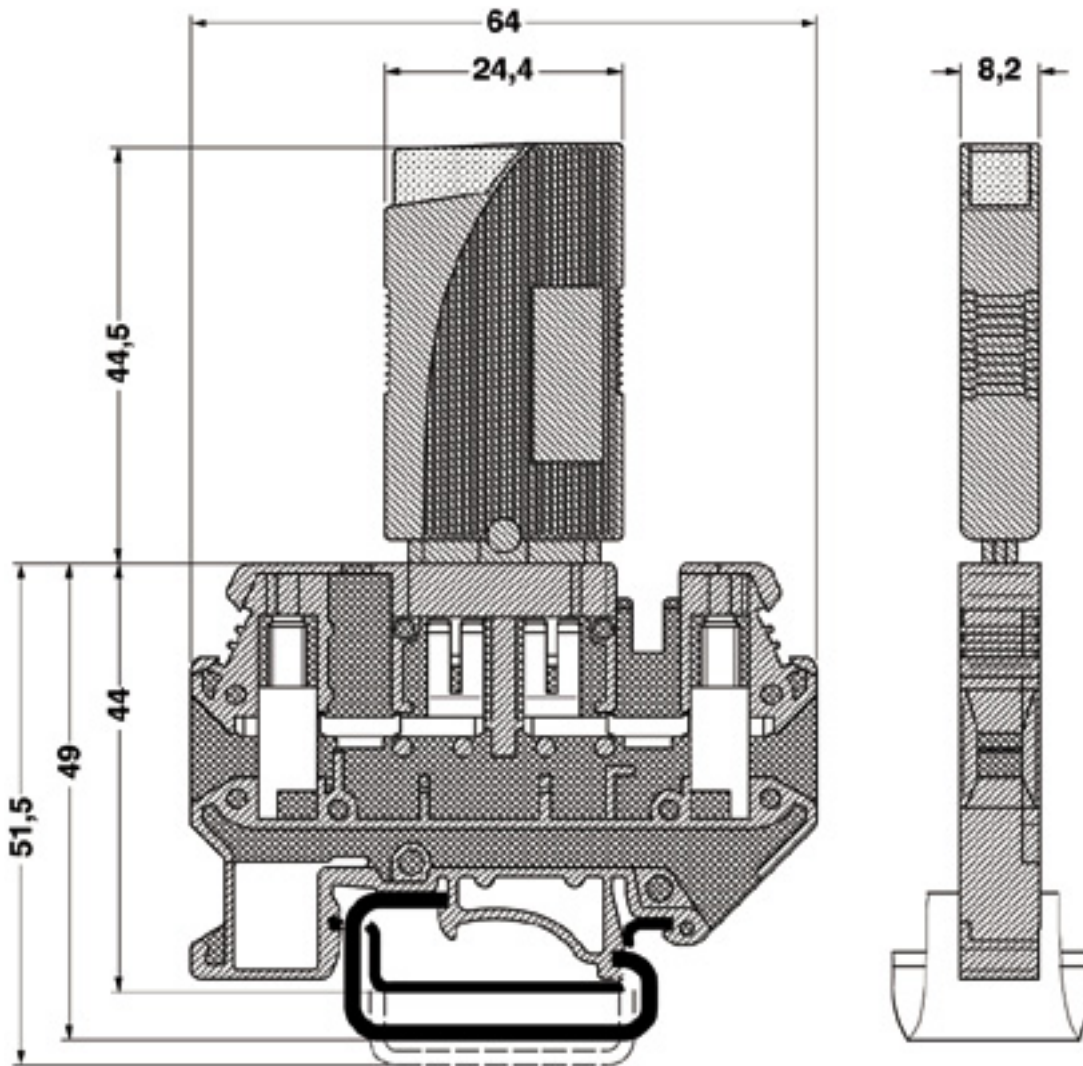
Thermal device circuit breaker - TCP 0.1A - 0712107

Diagram



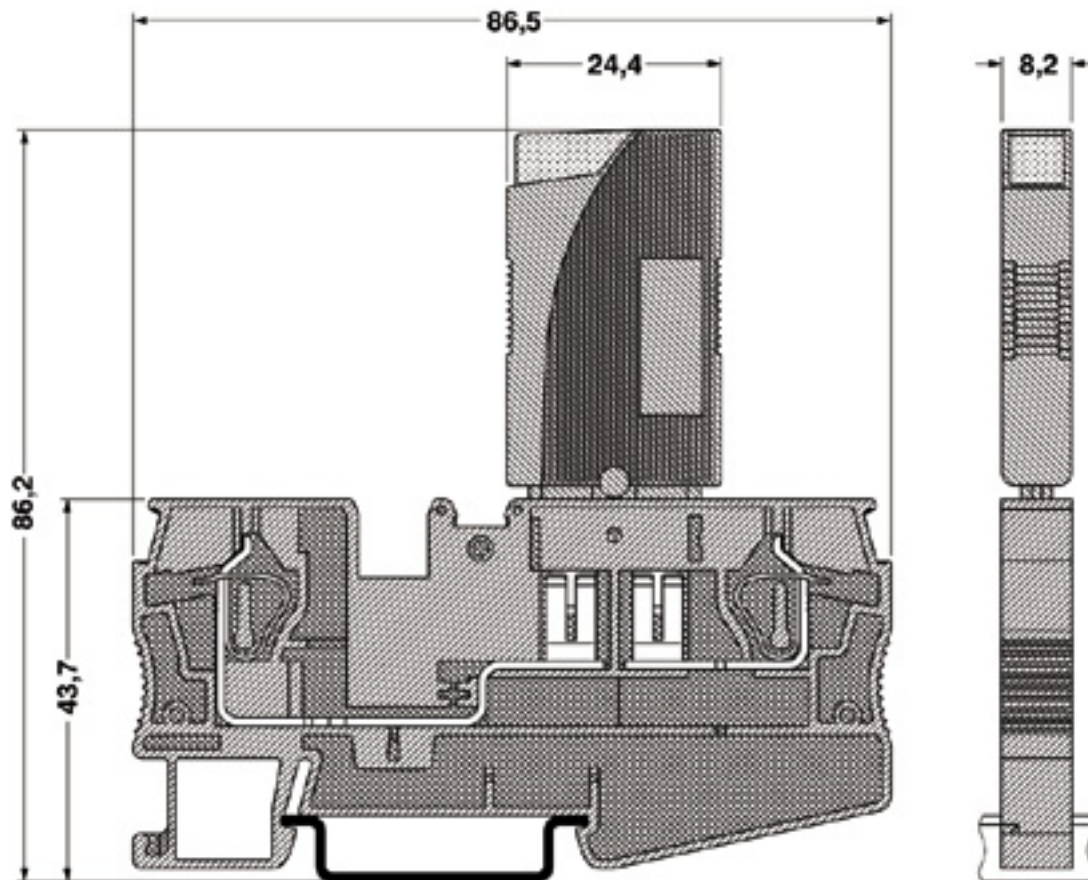
Thermal device circuit breaker - TCP 0.1A - 0712107

Dimensioned drawing



Thermal device circuit breaker - TCP 0.1A - 0712107

Dimensioned drawing



© Phoenix Contact 2012 - all rights reserved
<http://www.phoenixcontact.com>