

## 阅读申明

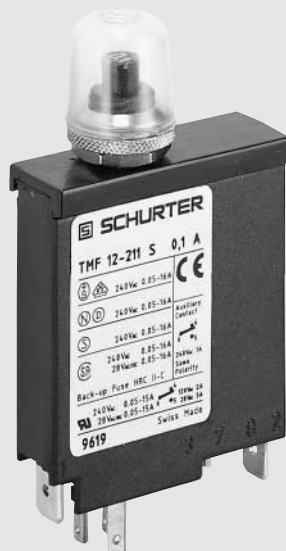
- 1.本站收集的数据手册和产品资料都来自互联网，版权归原作者所有。如读者和版权方有任何异议请及时告之，我们将妥善解决。
- 2.本站提供的中文数据手册是英文数据手册的中文翻译，其目的是协助用户阅读，该译文无法自动跟随原稿更新，同时也可能存在翻译上的不当。建议读者以英文原稿为参考以便获得更精准的信息。
- 3.本站提供的产品资料，来自厂商的技术支持或者使用者的心得体会等，其内容可能存在描述上的差异，建议读者做出适当判断。
- 4.如需与我们联系，请发邮件到marketing@iczoom.com，主题请标有“数据手册”字样。

## Read Statement

1. The datasheets and other product information on the site are all from network reference or other public materials, and the copyright belongs to the original author and original published source. If readers and copyright owners have any objections, please contact us and we will deal with it in a timely manner.
2. The Chinese datasheets provided on the website is a Chinese translation of the English datasheets. Its purpose is for reader's learning exchange only and do not involve commercial purposes. The translation cannot be automatically updated with the original manuscript, and there may also be improper translations. Readers are advised to use the English manuscript as a reference for more accurate information.
3. All product information provided on the website refer to solutions from manufacturers' technical support or users the contents may have differences in description, and readers are advised to take the original article as the standard.
4. If you have any questions, please contact us at marketing@iczoom.com and mark the subject with "Datasheets" .

## TM12 Series

- Thermal magnetic release
- Positively trip-free
- Reset or manual actuation



The TM12 circuit breaker for equipment (CBE) is a single pole, thermal-magnetically operated device providing small size, low cost and reliable trip-free operation on overloads and short circuits within the maximum breaking capacity. It is intended primarily for the protection of circuit control functions in sensitive instruments etc. It is not generally suitable for line protection unless the prospective short circuit current is less than 200 A at 240 V a.c. (400 A at 28 V d.c.).

Threaded neck and flange mounting types are available each with optional push on/push off mechanism, shunt terminal and auxiliary contact. There is also a choice of screw clamp terminals on certain types.

The well proven mechanism is designed to open the contacts in the event of overloads. A bimetal strip is heated by the overcurrent and deflects, thereby releasing the latch mechanism. If the overcurrent is sufficiently high, the magnetic release will operate and open the circuit instantaneously. Two characteristics are available. The more commonly used T characteristic has operating limits between 8-12 times the rated current. The optional F characteristic operates at a lower current levels of 4-8 times the rated current.

In case of overloads, the contacts will open even if the reset button is manually held in the closed position. This is known as a trip-free feature. The contacts open and close with a snap action and the tripped state is clearly shown by the increased projection of the reset button. After the opening operation, the reset button has to be fully depressed, then released, to effect a closing of the contact.

It is impossible to «tease» the contacts by gentle pressure on the reset button.

### Available options

- Fast and slow magnetic tripping characteristics
- Flange type
- Threaded neck type
- Type of actuation: reset or manual ON/OFF (push/push)
- Terminals: quick connect or screw clamp terminals
- Independent auxiliary contact (change-over contact)
- Shunt terminal
- Setting indication on reset button indicates the position of the contacts

### Special features

- Competitive pricing
- Quick connect terminals
- Choice of mounting styles
- Positively trip-free
- Insensitive to shock or vibration
- UL, CSA, VDE and other approvals

## Effect of ambient temperature

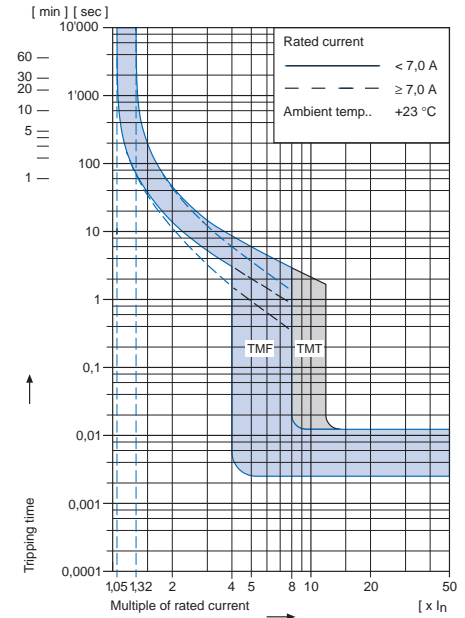
The unit is calibrated for an ambient temperature of +23°C. To determine the rated current for a lower or higher ambient temperature, use a correction factor from the table below:

Ambient temperature [°C]	Correction factor
-5	0,87
0	0,90
+10	0,95
+23	1,00
+30	1,05
+40	1,12
+50	1,20
+60	1,30

### Example

Rated current at +23°C                    5,0 A  
 Ambient temperature                    +50°C  
 Correction factor                        1,2  
 Chosen rated current at  
 +50°C ambient temperature  
**5,0 A x 1,2 = 6,0 A**

## Tripping characteristics TMF + TMT



## Technical data

### Main circuit

Rated voltage $U_e$	See approvals, page 195	AC 240 V; DC 28 V
Rated current $I_n$	See approvals, page 195	AC/DC 0,05 – 16 A
Conditional short circuit current $I_{nc}$	EN 60 934 PC1, AC 240 V	1000 A
Short circuit capacity $I_{cn}$	AC 240 V AC/DC 28 V	200 A 400 A

### Auxiliary circuit

Rated voltage $U_e$	See approvals, page 195	AC 120 V, 240 V; DC 28 V
Rated current $I_n$	See approvals, page 195	1,0; 2,0; 3,0 A
Class of protection	Between live and accessible parts	II
	Other parts	I

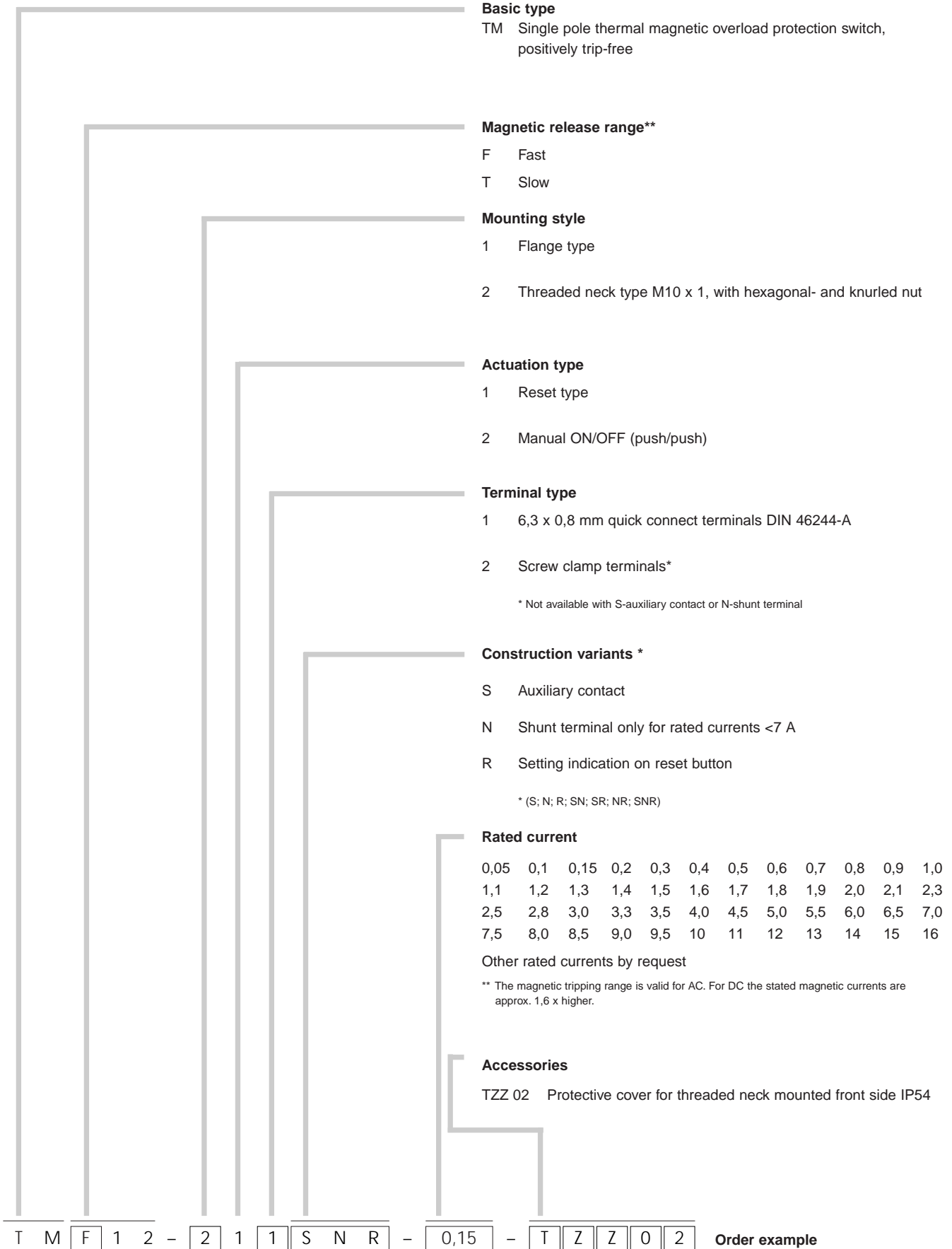
**Technical data (continued)**

Degree of protection	Accessible range Termination range	IP40 IP00
Dielectric strength	Accessible range	AC 4000 V
Insulation resistance	DC 500 V	>100 MΩ
Endurance	Number of cycles at 6 x I <sub>n</sub> (AC) Number of cycles at I <sub>n</sub>	R-type 40 S-type 5000
Permissible ambient temperature		-5°C to +60°C
Vibration resistance	IEC 68-2-6, Test Fc, 1 mm amplitude 5-60 Hz, 60-500 Hz	10 g
Shock resistance	IEC 68-2-6, Test Ea	100 g
Type of actuation	• Reset type • Manual ON/OFF (push/push)	R S
Type of tripping	• Thermal-magnetic • Positively trip-free	TM
Weight		approx. 33 g

**Approvals**

	Main circuit			Auxiliary circuit		
	Rated current range	Rated voltage AC	Rated voltage DC	Rated current	Rated voltage AC	Rated voltage DC
UL 1077	0,05 – 16 A	240 V	28 V	3 A		28 V
				2 A	120 V	
CSA C 22,2	0,05 – 16 A	240 V	28 V	1 A	240 V	
VDE EN 60934	0,05 – 16 A	240 V	28 V	1 A	240 V	28 V
SEMKO	0,05 – 16 A	240 V		1 A	240 V	
NEMKO	0,05 – 16 A	240 V		1 A	240 V	
DEMKO	0,05 – 16 A	240 V		1 A	240 V	
SEV EN 60934	0,05 – 16 A	240 V	28 V	1 A	240 V	28 V

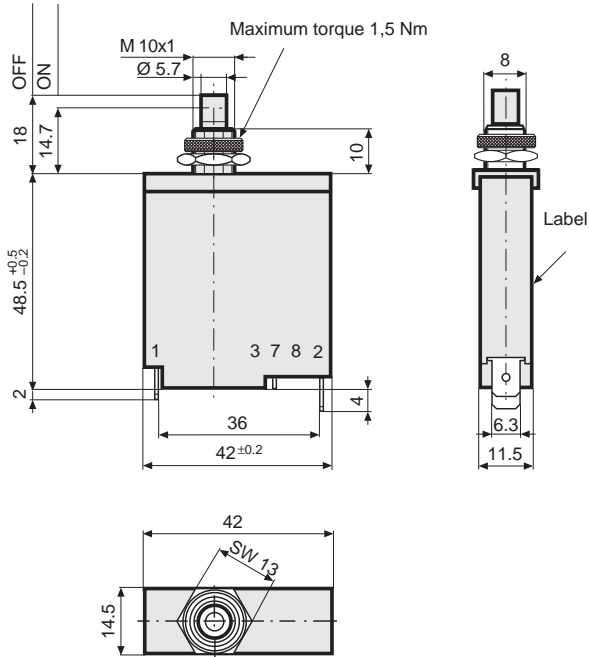
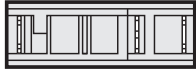
## Order code



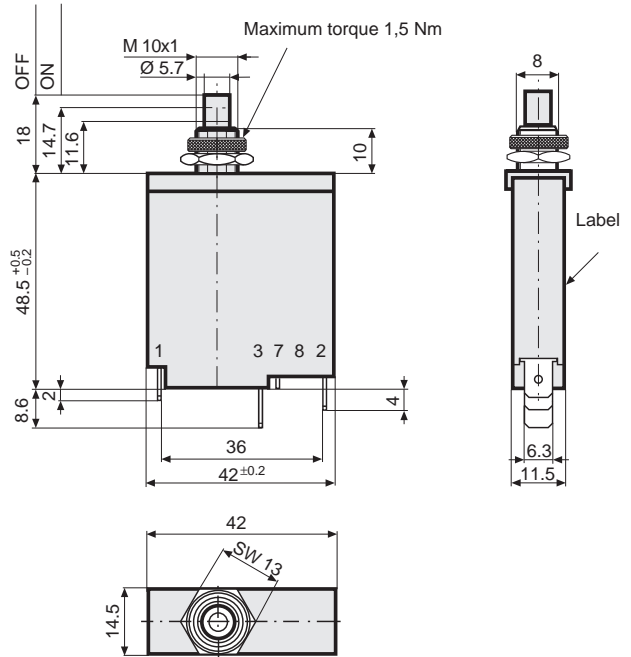
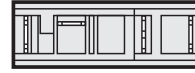
# 1 CIRCUIT BREAKERS FOR EQUIPMENT TM12

## Threaded neck type

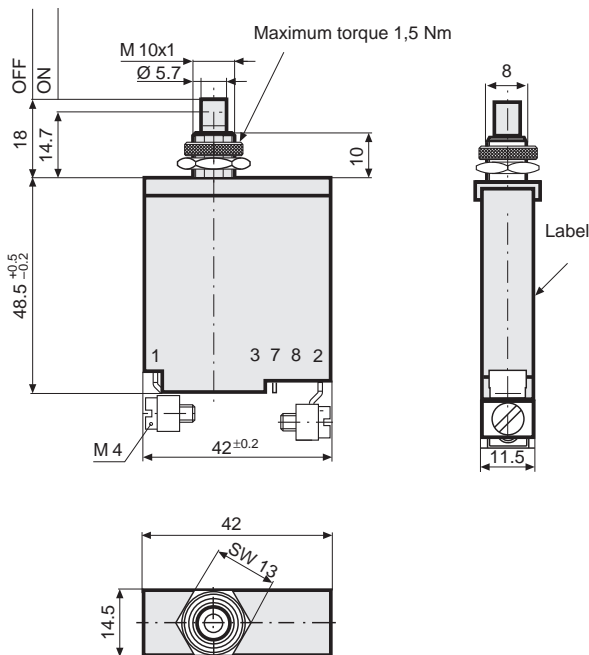
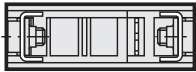
TMx12-211



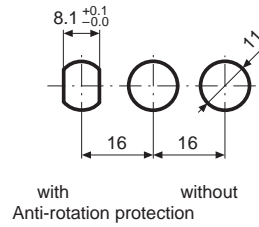
TMx12-211N



TMx12-212

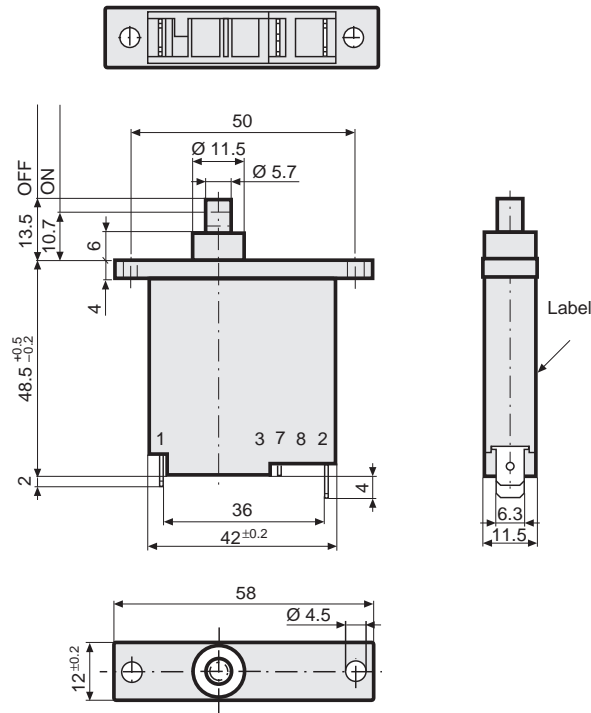


Cut-out

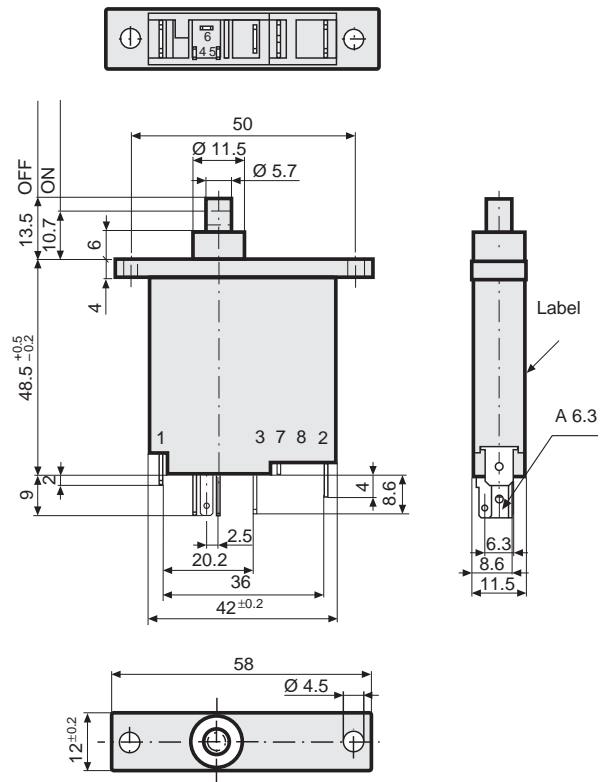


Flange type

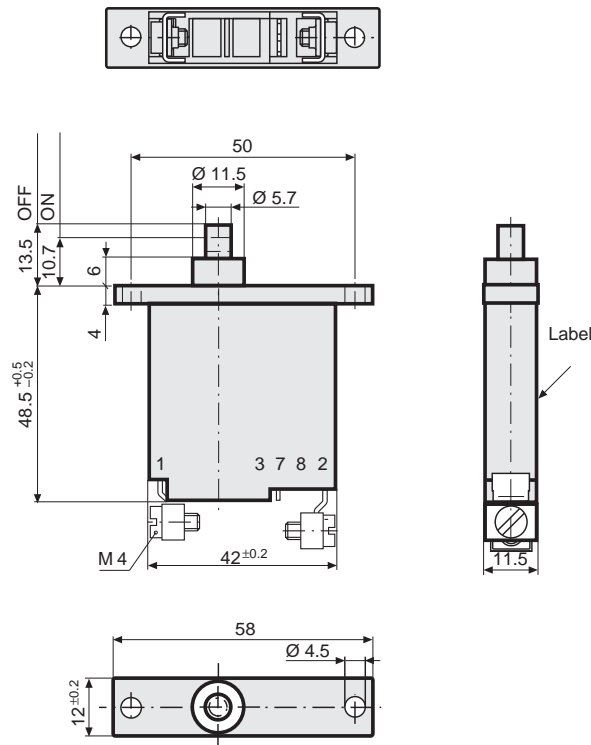
TMx12-111



TMx12-111SN

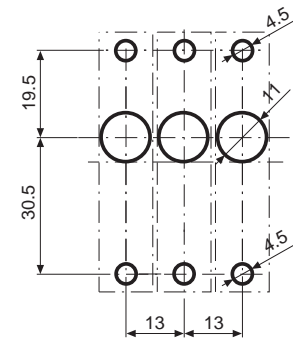


TMx12-112

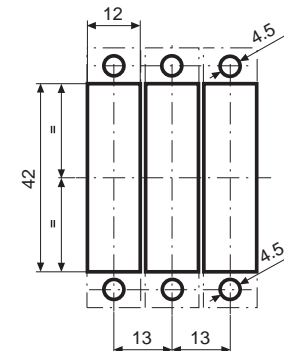


Cut-out

Installation from rear



Installation from front

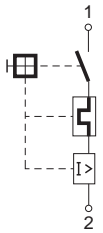


**1 CIRCUIT BREAKERS FOR EQUIPMENT TM12**

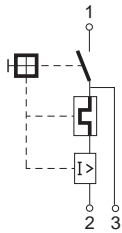
Schematic diagrams – accessories – colors

Schematic diagrams

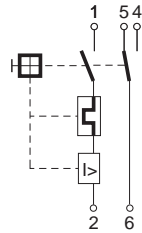
TM12-...



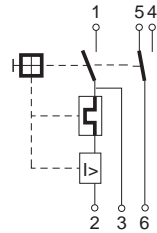
TM12-...N



TM12-...S

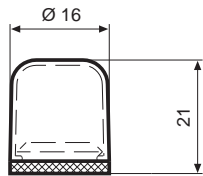


TM12-...SN



Accessories

Protective transparent cover  
Degree of protection IP54  
TZZ02



Colors

