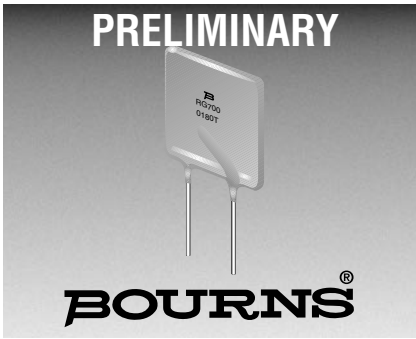


阅读申明

- 1.本站收集的数据手册和产品资料都来自互联网，版权归原作者所有。如读者和版权方有任何异议请及时告之，我们将妥善解决。
- 2.本站提供的中文数据手册是英文数据手册的中文翻译，其目的是协助用户阅读，该译文无法自动跟随原稿更新，同时也可能存在翻译上的不当。建议读者以英文原稿为参考以便获得更精准的信息。
- 3.本站提供的产品资料，来自厂商的技术支持或者使用者的心得体会等，其内容可能存在描述上的差异，建议读者做出适当判断。
- 4.如需与我们联系，请发邮件到marketing@iczoom.com，主题请标有“数据手册”字样。

Read Statement

1. The datasheets and other product information on the site are all from network reference or other public materials, and the copyright belongs to the original author and original published source. If readers and copyright owners have any objections, please contact us and we will deal with it in a timely manner.
2. The Chinese datasheets provided on the website is a Chinese translation of the English datasheets. Its purpose is for reader's learning exchange only and do not involve commercial purposes. The translation cannot be automatically updated with the original manuscript, and there may also be improper translations. Readers are advised to use the English manuscript as a reference for more accurate information.
3. All product information provided on the website refer to solutions from manufacturers' technical support or users the contents may have differences in description, and readers are advised to take the original article as the standard.
4. If you have any questions, please contact us at marketing@iczoom.com and mark the subject with "Datasheets" .



Features

- Radial Leaded Devices
- Smaller size for similar I_{hold} rating
- Faster tripping
- Tighter trip-to-hold ratios
- Bulk packaging, tape and reel and Ammo-Pak available on most models
- Patents pending

■ Agency recognition: (pending)

Applications

- Automotive
- Computers and peripherals
- General electronics
- Wire harnesses

MF-RG Series - PTC Resettable Fuses

Electrical Characteristics

Model	V max. Volts	I max. Amps	I _{hold}	I _{trip}	Initial Resistance		1 Hour (R ₁) Post-Trip Resistance	Max. Time To Trip		Tripped Power Dissipation
			Amperes at 23°C		Ohms at 23°C			Amperes at 23°C	Seconds at 23°C	
			Hold	Trip	Min.	Max.	Max.			
MF-RG300	16	100	3.00	5.10	0.032	—	0.105	15.0	2.0	2.3
MF-RG500	16	100	5.00	8.50	0.015	—	0.044	25.0	3.6	2.6
MF-RG700	16	100	7.00	11.90	0.008	—	0.021	35.0	8.0	3.0
MF-RG900	16	100	9.00	15.30	0.004	—	0.015	45.0	12.0	3.3
MF-RG1100	16	100	11.00	18.70	0.003	—	0.010	55.0	15.2	3.7

Environmental Characteristics

Operating/Storage Temperature-40°C to +85°C
 Maximum Device Surface Temperature in Tripped State125°C
 Passive Aging.....+85°C, 1000 hours±5% typical resistance change
 Humidity Aging.....+85°C, 85% R.H. 1000 hours.....±5% typical resistance change
 Thermal Shock+125°C to -55°C, 10 times±10% typical resistance change
 Solvent ResistanceMIL-STD-202, Method 215No change
 Vibration.....MIL-STD-883C, Method 2007.1,No change
 Condition A

Test Procedures And Requirements For Model MF-RG Series

Test	Test Conditions	Accept/Reject Criteria
Visual/Mech.	Verify dimensions and materials	Per MF physical description
Resistance	In still air @ 23°C	R _{min} ≤ R ≤ R _{max}
Time to Trip	5 times I _{hold} , V _{max} , 23°C	T ≤ max. time to trip (seconds)
Hold Current	30 min. at I _{hold}	No trip
Trip Cycle Life	V _{max} , I _{max} , 100 cycles	No arcing or burning
Trip Endurance	V _{max} , 48 hours	No arcing or burning

UL File NumberE 174545S*
 CSA File NumberCA 110338
 TÜV File NumberR2057213

Thermal Derating Chart - I_{hold} (Amps)

Model	Ambient Operating Temperature								
	-40°C	-20°C	0°C	23°C	40°C	50°C	60°C	70°C	85°C
MF-RG300	4.4	4.0	3.6	3.0	2.6	2.4	2.1	1.9	1.4
MF-RG500	7.3	6.6	6.0	5.0	4.4	4.0	3.6	3.1	2.4
MF-RG700	10.3	9.3	8.4	7.0	6.2	5.6	5.0	4.4	3.3
MF-RG900	13.2	11.9	10.7	9.0	7.9	7.2	6.4	5.6	4.2
MF-RG1100	14.7	13.3	12.0	10.0	8.7	8.0	7.0	6.3	4.7

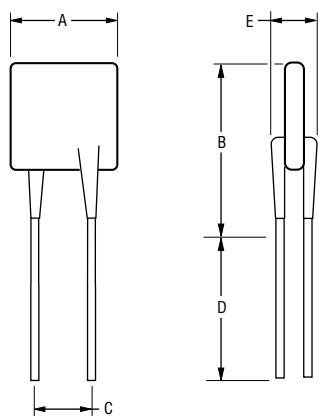
*I_{trip} is approximately two times I_{hold}.

MF-RG Series - PTC Resettable Fuses



Product Dimensions

Model	A Max.	B Min.	C Min.	D Max.	E Max.	Physical Characteristics	
						Lead Dia.	Material
MF-RG300	7.1 (0.280)	10.2 (0.402)	5.2 ± 0.7 (0.205 ± 0.028)	4.6 (0.181)	3.0 (0.118)	0.81 (0.032)	Sn/Cu
MF-RG500	10.4 (0.409)	13.5 (0.531)	5.2 ± 0.7 (0.205 ± 0.028)	4.6 (0.181)	3.0 (0.118)	0.81 (0.032)	Sn/Cu
MF-RG700	11.2 (0.441)	18.8 (0.740)	5.2 ± 0.7 (0.205 ± 0.028)	4.6 (0.181)	3.0 (0.118)	0.81 (0.032)	Sn/Cu
MF-RG900	14.0 (0.551)	20.8 (0.819)	5.2 ± 0.7 (0.205 ± 0.028)	4.6 (0.181)	3.0 (0.118)	0.81 (0.032)	Sn/Cu
MF-RG1100	17.5 (0.689)	25.1 (0.988)	5.2 ± 0.7 (0.205 ± 0.028)	4.6 (0.181)	3.0 (0.118)	0.81 (0.032)	Sn/Cu



Packaging options:

BULK: 500 pcs. per bag

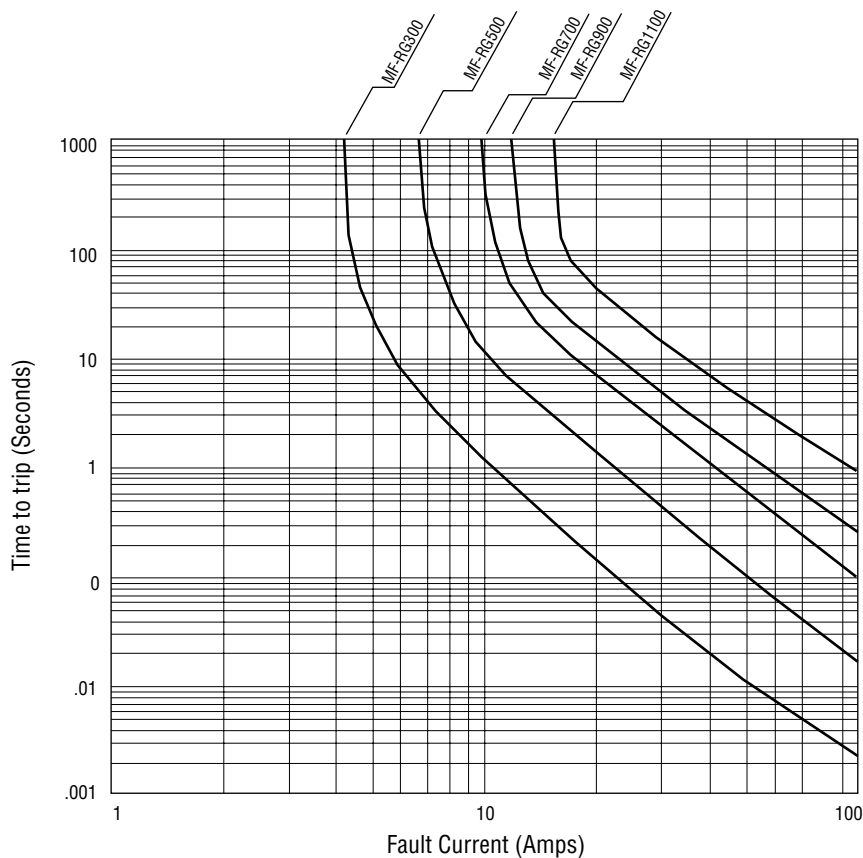
TAPE & REEL: MF-RG300 & MF-RG500 = 3000 pcs. per reel;

MF-RG700, MF-RG900 & MF-RG1100 = 1500 pcs. per reel

AMMO-PACK: 2000 pcs. per reel

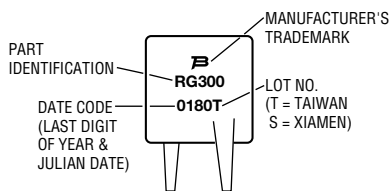
DIMENSIONS = $\frac{\text{MM}}{\text{INCHES}}$
0.81 (20AWG)

Typical Time to Trip at 23°C



Typical Part Marking

Represents total content. Layout may vary.



How to Order

MF - RG 300 -

Multifuse® Product Designator

Series **RG** = Radial Leded Component

Hold Current, I_{hold} **300-1100** (300m Amps - 11.0 Amps)

Packaging Options

- **__** = Bulk Packaging
- **2** = Tape and Reel*
- **AP** = Ammo-Pak*

*Packaged per EIA486-B

Specifications are subject to change without notice.

MF-RG, REV. A, 12/00

Tape and Reel Specifications

MF-R, MF-RX, MF-RG & MF-R/250 Series Tape and Reel Specs

BOURNS®

Devices taped using EIA468-B/IEC286-2 standards. See table below and Figures 1 and 2 for details.

Dimension Description	IEC Mark	EIA Mark	Dimensions	
			Dimensions	Tolerance
Carrier tape width	<i>W</i>	<i>W</i>	$\frac{18}{(.709)}$	$\frac{-0.5/+1.0}{(-0.02/+0.039)}$
Hold down tape width		<i>W4</i>	$\frac{5}{(.197)}$	min.
Hold down tape	<i>W0</i>		No protrusion	
Top distance between tape edges	<i>W2</i>	<i>W6</i>	$\frac{3}{(.118)}$	max.
Sprocket hole position	<i>W1</i>	<i>W5</i>	$\frac{9}{(.354)}$	$\frac{-0.5/+0.75}{(-0.02/+0.03)}$
Sprocket hole diameter	<i>D0</i>	<i>D0</i>	$\frac{4}{(.157)}$	$\frac{\pm 0.2}{(\pm .0078)}$
Abscissa to plane (straight lead)	<i>H</i>	<i>H</i>	$\frac{18.5}{(.728)}$	$\frac{\pm 3.0}{(\pm .118)}$
Abscissa to plane (kinked lead)	<i>H0</i>	<i>H0</i>	$\frac{16}{(.63)}$	$\frac{\pm 0.5}{(\pm .02)}$
Abscissa to top	<i>H1</i>	<i>H1</i>	$\frac{32.2}{(1.268)}$	max.
Overall width w/lead protrusion		<i>C1</i>	$\frac{43.2}{(1.7)}$	max.
Overall width w/o lead protrusion		<i>C2</i>	$\frac{42.5}{(1.673)}$	max.
Lead protrusion	<i>I1</i>	<i>L1</i>	$\frac{1.0}{(.039)}$	max.
Protrusion of cutout	<i>L</i>	<i>L</i>	$\frac{11}{(.433)}$	max.
Protrusion beyond hold tape	<i>I2</i>	<i>I2</i>	Not specified	
Sprocket hole pitch	<i>P0</i>	<i>P0</i>	$\frac{12.7}{(0.5)}$	$\frac{\pm 0.3}{(\pm .012)}$
Pitch tolerance			20 seconds	± 1 second
Device pitch: MF-R010 – MF-R160			$\frac{12.7}{(0.5)}$	
Device pitch: MF-R185 – MF-R400			$\frac{25.4}{(1.0)}$	
Device pitch: MF-RX110 – MF-RX160			$\frac{12.7}{(0.5)}$	
Device pitch: MF-RX185 – MF-RX375			$\frac{12.7}{(0.5)}$	
Device pitch: MF-RG300, MF-RG500			$\frac{12.7}{(0.5)}$	
Device pitch: MF-RG700, MF-RG900, MF-RG1100			$\frac{25.4}{(1.0)}$	
Device pitch: MF-R012/250			$\frac{25.4}{(1.0)}$	
Tape thickness	<i>t</i>	<i>t</i>	$\frac{0.9}{(.035)}$	max.
Tape thickness with splice		<i>t1</i>	$\frac{2.0}{(.079)}$	max.
Splice sprocket hole alignment			0	$\frac{\pm 0.3}{(\pm .012)}$
Body lateral deviation	Δh	Δh	0	$\frac{\pm 1.0}{(\pm .039)}$
Body tape plane deviation	Δp	Δp	0	$\frac{\pm 1.3}{(\pm .051)}$
Lead seating plane deviation	$\Delta P1$	<i>P1</i>	0	$\frac{\pm 0.7}{(\pm .028)}$
Lead spacing	<i>F</i>	<i>F</i>	$\frac{5.08}{(0.2)}$	$\frac{\pm 0.8}{(\pm .035)}$
Reel width	<i>w</i>	<i>w</i>	$\frac{56}{(2.205)}$	max.
Reel diameter	<i>d</i>	<i>a</i>	$\frac{370}{(14.57)}$	max.
Space between flanges less device			$\frac{4.75}{(.187)}$	$\frac{\pm 3.25}{(\pm .128)}$

$$\text{DIMENSIONS} = \frac{\text{MM}}{(\text{INCHES})}$$

Specifications are subject to change without notice.

Dimension Description	IEC Mark	EIA Mark	Dimensions	
			Dimensions	Tolerance
Space between flanges less device			$\frac{4.75}{(.187)}$	$\frac{\pm 3.25}{(\pm .128)}$
Arbor hole diameter	<i>f</i>	<i>c</i>	$\frac{26}{(1.024)}$	$\frac{\pm 12.0}{(\pm .472)}$
Core diameter	<i>h</i>	<i>n</i>	$\frac{80}{(3.15)}$	max.
Box			$\frac{56}{(2.2)}$ $\frac{372}{(14.6)}$ $\frac{372}{(14.6)}$	max.
Consecutive missing places			3 maximum	
Empty places per reel			Not specified	

DIMENSIONS = $\frac{\text{MM}}{\text{(INCHES)}}$

Taped Component Dimensions

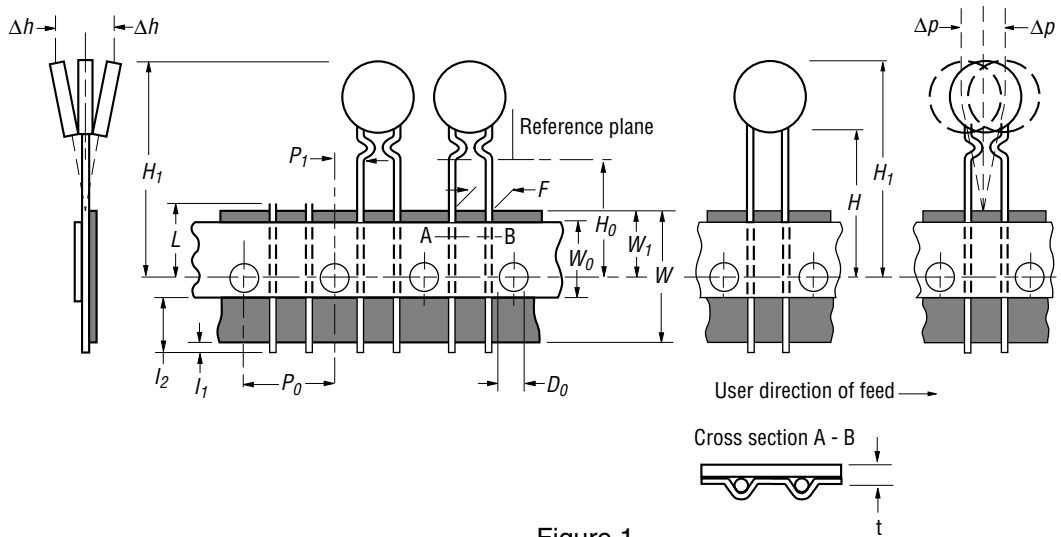


Figure 1

Reel Dimensions

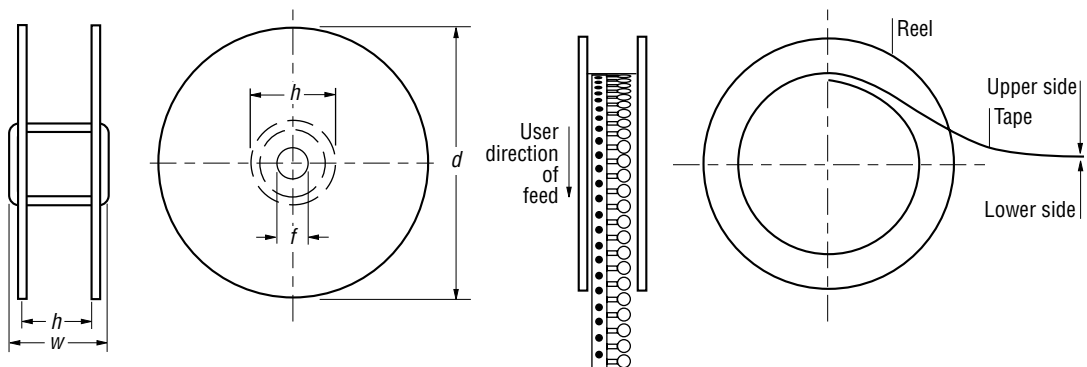
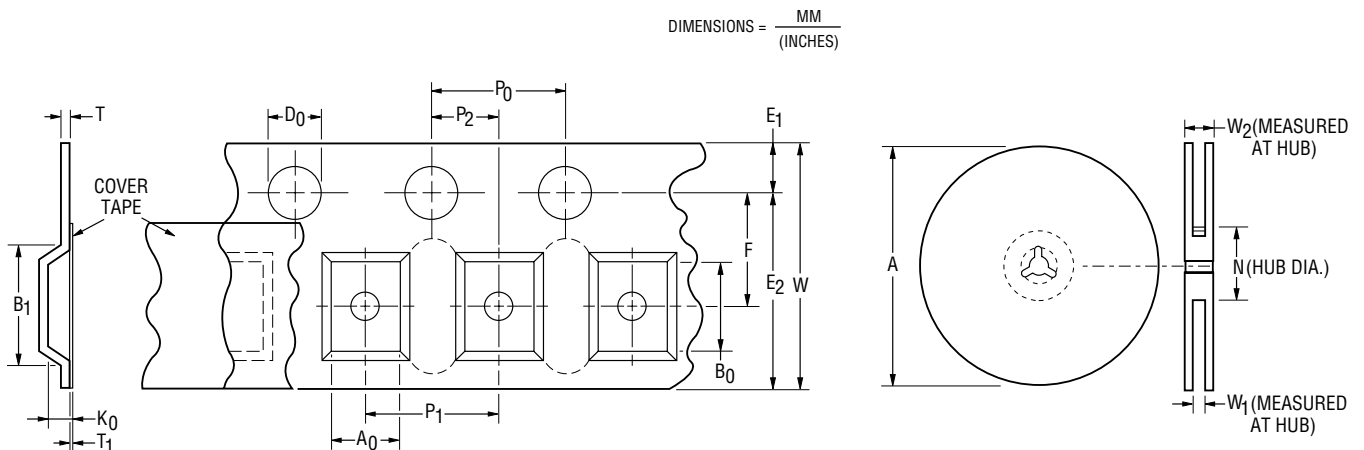


Figure 2

MF-SM Series Tape and Reel Specifications



Tape Dimension Identifiers	MF-SM030, 050, 075, 100, 125 per EIA-481-2	MF-SM150, 200, 250, 260 per EIA 481-2
W	$\frac{16 \pm 0.3}{(63 \pm .012)}$	$\frac{16 \pm 0.3}{(63 \pm .012)}$
P ₀	$\frac{4.0 \pm 0.10}{(.157 \pm .004)}$	$\frac{4.0 \pm 0.10}{(.157 \pm .004)}$
P ₁	$\frac{8.0 \pm 0.10}{(.315 \pm .004)}$	$\frac{12.0 \pm 0.10}{(.472 \pm .004)}$
P ₂	$\frac{8.0 \pm 0.10}{(.315 \pm .004)}$	$\frac{12.0 \pm 0.10}{(.472 \pm .004)}$
A ₀	$\frac{2.0 \pm 0.10}{(.079 \pm .004)}$	$\frac{2.0 \pm 0.10}{(.079 \pm .004)}$
B ₀	$\frac{5.7 \pm 0.10}{(.224 \pm .004)}$	$\frac{6.9 \pm 0.10}{(.272 \pm .004)}$
B ₁ max.	$\frac{8.1 \pm 0.15}{(.319 \pm .006)}$	$\frac{9.6 \pm 0.10}{(.378 \pm .004)}$
D ₀	$\frac{9.1}{(.358)}$	$\frac{11.0}{(.433)}$
F	$\frac{1.5 + 0.1/-0}{(.059 + .004/-0)}$	$\frac{1.5 + 0.1/-0}{(.059 + .004/-0)}$
E ₁	$\frac{7.5 \pm 0.10}{(.295 \pm .004)}$	$\frac{7.5 \pm 0.10}{(.295 \pm .004)}$
E ₂ min.	$\frac{1.75 \pm 0.10}{(.069 \pm .004)}$	$\frac{1.75 \pm 0.10}{(.069 \pm .004)}$
T max.	$\frac{14.25}{(.561)}$	$\frac{14.25}{(.561)}$
T ₁ max.	$\frac{0.4}{(.016)}$	$\frac{0.4}{(.016)}$
K ₀	$\frac{0.1}{(.004)}$	$\frac{0.1}{(.004)}$
Leader min.	$\frac{3.4 \pm 0.15}{(.134 \pm .006)}$	$\frac{3.5 \pm 0.15}{(.138 \pm .006)}$
Trailer min.	$\frac{390}{(15.35)}$	$\frac{390}{(15.35)}$
Reel Dimension Identifiers	$\frac{160}{(6.30)}$	$\frac{160}{(6.30)}$
A max.	$\frac{360}{(14.17)}$	$\frac{360}{(14.17)}$
N min.	$\frac{50}{(1.97)}$	$\frac{50}{(1.97)}$
W ₁	$\frac{16.4 + 2.0/-0}{(.65 + .079/-0)}$	$\frac{16.4 + 2.0/-0}{(.65 + .079/-0)}$
W ₂ max.	$\frac{22.4}{(.882)}$	$\frac{22.4}{(.882)}$

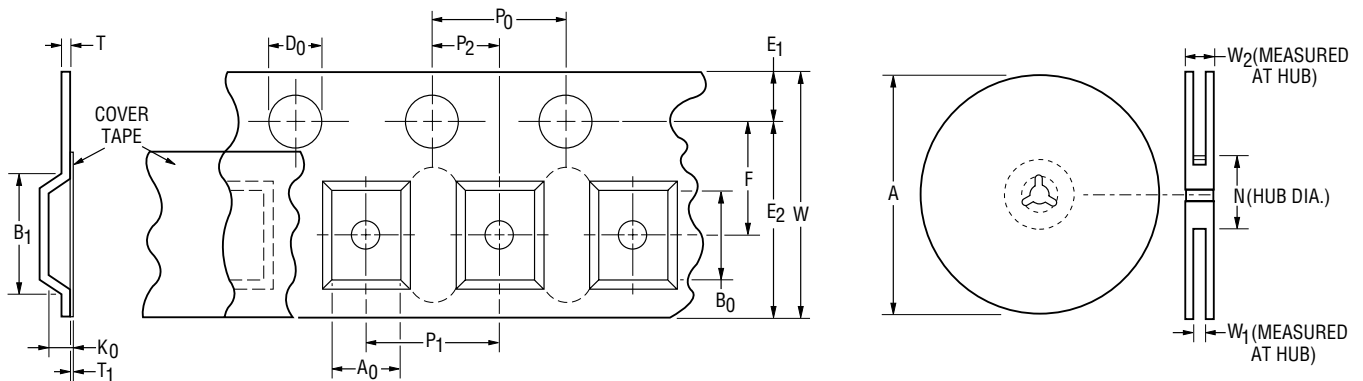


MF-MSMD, MF-USMD & MF-ESMD Series Tape and Reel Specs



Tape Dimension Identifiers	MF-MSMD Series per EIA-481-1	MF-USMD Series per EIA 481-1	MF-ESMD Series per EIA 481-1
W	$\frac{12 \pm 0.3}{(.472 \pm .012)}$	$\frac{8 \pm 0.3}{(.040 \pm .012)}$	$\frac{8 \pm 0.3}{(.040 \pm .012)}$
P ₀	$\frac{4.0 \pm 0.10}{(.157 \pm .004)}$	$\frac{4.0 \pm 0.10}{(.157 \pm .004)}$	$\frac{4.0 \pm 0.10}{(.157 \pm .004)}$
P ₁	$\frac{8.0 \pm 0.10}{(.315 \pm .004)}$	$\frac{4.0 \pm 0.10}{(.157 \pm .004)}$	$\frac{4.0 \pm 0.10}{(.157 \pm .004)}$
P ₂	$\frac{2.0 \pm 0.05}{(.079 \pm .039)}$	$\frac{2.0 \pm 0.05}{(.079 \pm .039)}$	$\frac{2.0 \pm 0.05}{(.079 \pm .039)}$
A ₀	$\frac{3.5 \pm 0.23}{(.134 \pm .009)}$	$\frac{2.8 \pm 0.1}{(.110 \pm .004)}$	$\frac{2.8 \pm 0.1}{(.110 \pm .004)}$
B ₀	$\frac{5.1 \pm 0.15}{(.201 \pm .006)}$	$\frac{3.5 \pm 0.1}{(.138 \pm .004)}$	$\frac{3.5 \pm 0.1}{(.138 \pm .004)}$
B ₁ max.	$\frac{5.9}{(.232)}$	$\frac{4.35}{(.171)}$	$\frac{4.35}{(.171)}$
D ₀	$\frac{1.5 + 0.1/-0}{(.059 + .004/-0)}$	$\frac{1.5 + 0.1/-0}{(.059 + .004/-0)}$	$\frac{1.5 + 0.1/-0}{(.059 + .004/-0)}$
F	$\frac{5.5 \pm 0.05}{(2.165 \pm .002)}$	$\frac{3.5 \pm 0.05}{(.138 \pm .002)}$	$\frac{3.5 \pm 0.05}{(.138 \pm .002)}$
E ₁	$\frac{1.75 \pm 0.10}{(.069 \pm .004)}$	$\frac{1.75 \pm 0.10}{(.069 \pm .004)}$	$\frac{1.75 \pm 0.10}{(.069 \pm .004)}$
E ₂ min.	$\frac{10.25}{(.404)}$	$\frac{6.25}{(.246)}$	$\frac{6.25}{(.246)}$
T max.	$\frac{0.6}{(.024)}$	$\frac{0.6}{(.024)}$	$\frac{0.6}{(.024)}$
T ₁ max.	$\frac{0.1}{(.004)}$	$\frac{0.1}{(.004)}$	$\frac{0.1}{(.004)}$
K ₀	$\frac{0.9 \pm 0.15}{(.035 \pm .006)}$	$\frac{1.1 \pm 0.05}{(.043 \pm .002)}$	$\frac{0.8 \pm 0.1}{(.031 \pm .004)}$
Leader min.	$\frac{390}{(15.35)}$	$\frac{390}{(15.35)}$	$\frac{390}{(15.35)}$
Trailer min.	$\frac{160}{(6.30)}$	$\frac{160}{(6.30)}$	$\frac{160}{(6.30)}$
Reel Dimension Identifiers			
A max.	$\frac{185}{(7.283)}$	$\frac{185}{(7.283)}$	$\frac{185}{(7.283)}$
N min.	$\frac{50}{(1.97)}$	$\frac{50}{(1.97)}$	$\frac{50}{(1.97)}$
W ₁	$\frac{12.4 + 2.0/-0}{(.488 + .075/-0)}$	$\frac{8.4 + 1.5/-0}{(.331 + .059/-0)}$	$\frac{8.4 + 1.5/-0}{(.331 + .059/-0)}$
W ₂ max.	$\frac{18.4}{(.724)}$	$\frac{14.4}{(.567)}$	$\frac{14.4}{(.567)}$

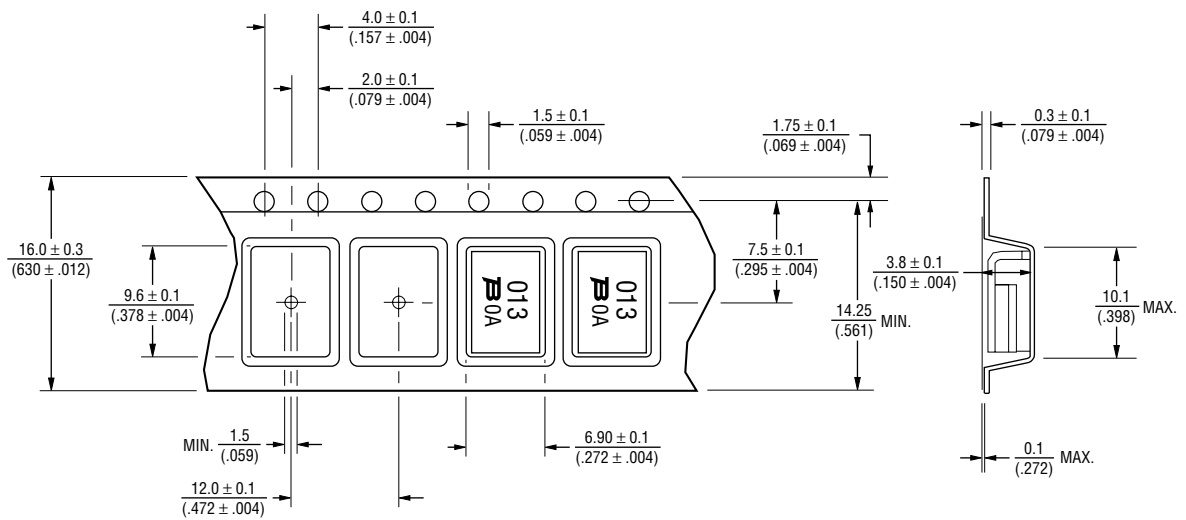
DIMENSIONS = $\frac{\text{MM}}{\text{(INCHES)}}$



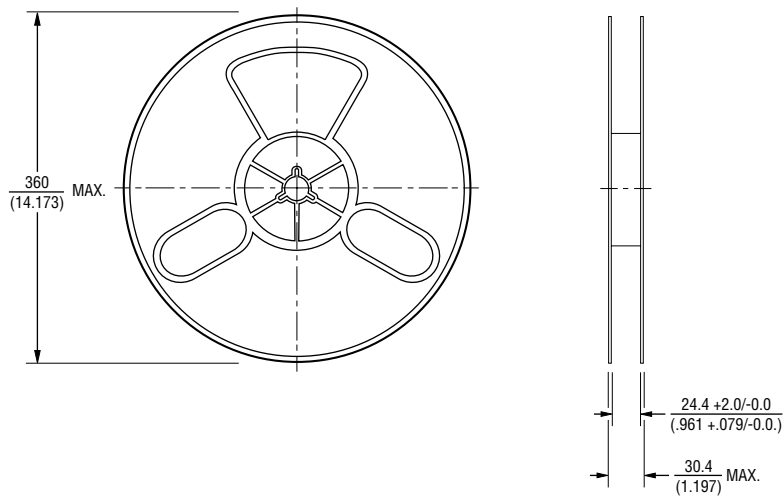
MF-SM013/250 Series Tape and Reel Specifications



Taped Component Dimensions

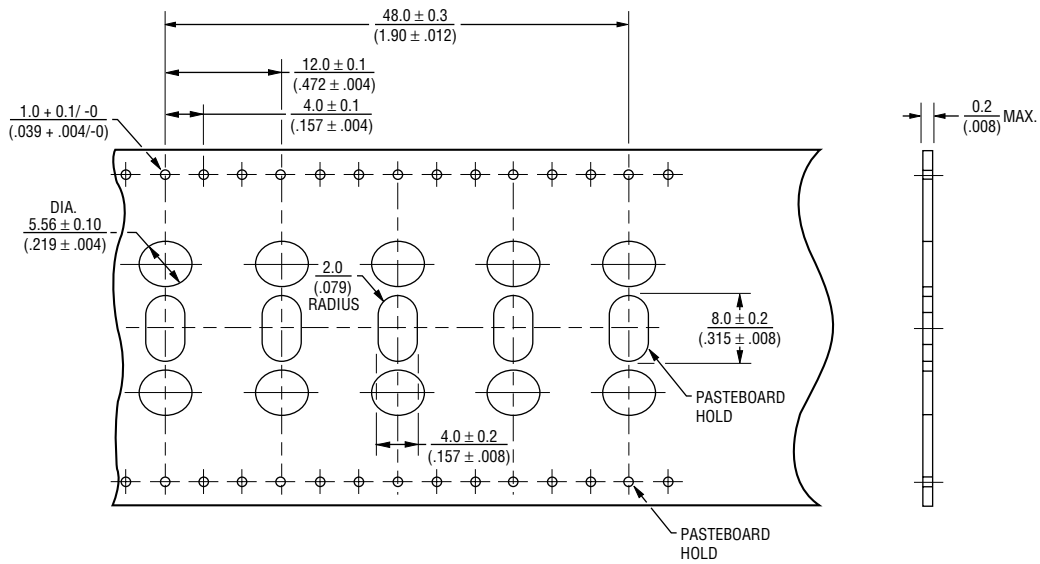


Reel Dimensions

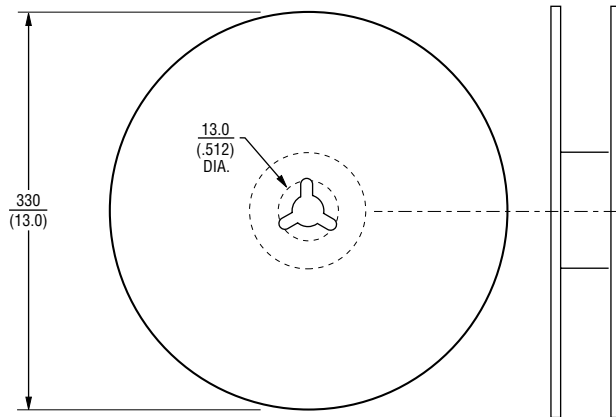


MF-S, MF-LS, MF-LR and MF-VS Series Tape and Reel Specifications **BOURNS**[®]

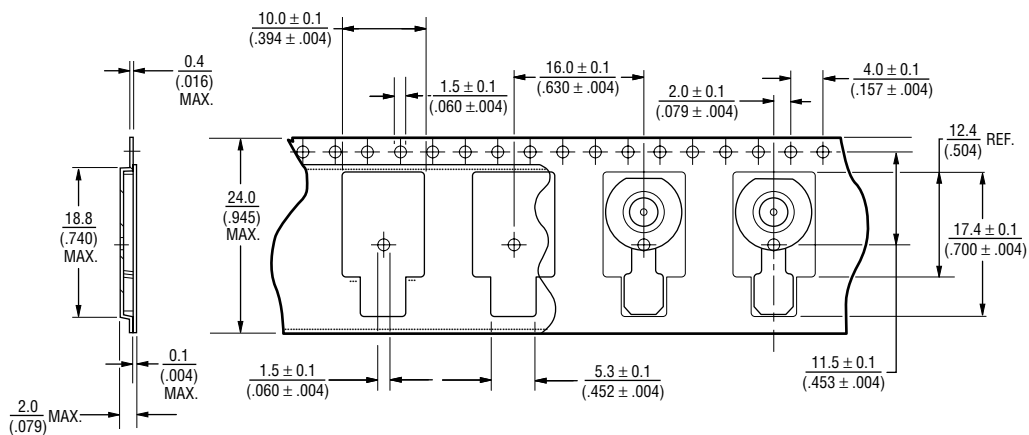
Taped Component Dimensions



Reel Dimensions



Taped Component Dimensions



Reel Dimensions

