

阅读申明

- 1.本站收集的数据手册和产品资料都来自互联网，版权归原作者所有。如读者和版权方有任何异议请及时告之，我们将妥善解决。
- 2.本站提供的中文数据手册是英文数据手册的中文翻译，其目的是协助用户阅读，该译文无法自动跟随原稿更新，同时也可能存在翻译上的不当。建议读者以英文原稿为参考以便获得更精准的信息。
- 3.本站提供的产品资料，来自厂商的技术支持或者使用者的心得体会等，其内容可能存在描述上的差异，建议读者做出适当判断。
- 4.如需与我们联系，请发邮件到marketing@iczoom.com，主题请标有“数据手册”字样。

Read Statement

1. The datasheets and other product information on the site are all from network reference or other public materials, and the copyright belongs to the original author and original published source. If readers and copyright owners have any objections, please contact us and we will deal with it in a timely manner.
2. The Chinese datasheets provided on the website is a Chinese translation of the English datasheets. Its purpose is for reader's learning exchange only and do not involve commercial purposes. The translation cannot be automatically updated with the original manuscript, and there may also be improper translations. Readers are advised to use the English manuscript as a reference for more accurate information.
3. All product information provided on the website refer to solutions from manufacturers' technical support or users the contents may have differences in description, and readers are advised to take the original article as the standard.
4. If you have any questions, please contact us at marketing@iczoom.com and mark the subject with "Datasheets" .

VAL-CP-3S-175

Order No.: 2859453


<http://eshop.phoenixcontact.de/phoenix/treeViewClick.do?UID=2859453>

Pluggable type 2 arrester (surge arrester) for 3-phase current supply networks with separate N and PE (5-conductor system: L1, L2, L3, N, PE), with remote indication contact. Overall width: 48 mm.

**Product notes**

WEEE/RoHS-compliant since:
01/03/2007

**Commercial data**

| | |
|--------------------------|--|
| GTIN (EAN) |  4 046356 045452 |
| sales group | J020 |
| Pack | 1 pcs. |
| Customs tariff | 85369010 |
| Catalog page information | Page 26 (TT-2009) |

<http://www.download.phoenixcontact.com>
Please note that the data given here has been taken from the online catalog. For comprehensive information and data, please refer to the user documentation. The General Terms and Conditions of Use apply to Internet downloads.

Technical data**Standards**

| | |
|------------------------------------|------|
| Housing material | PBT |
| Inflammability class acc. to UL 94 | V0 |
| Color | gray |

| | |
|--|---|
| Standards for air and creepage distances | DIN VDE 0110-1 |
| | IEC 60664-1: 1992-10 |
| | IEC 61643-11 |
| | UL 1449 |
| | IEEE C62.1 |
| | IEEE C62.45 |
| | IEC 61643-1 |
| Surge voltage category | III |
| Pollution degree | 2 |
| Degree of protection | IP20 |
| Mounting type | DIN rail: 35 mm |
| Design | DIN rail module, two-section, divisible |
| Number of positions | 4 |
| Ambient temperature (operation) | -40 °C ... 80 °C |
| Message: Surge protection fault | Optical, remote indicator contact |
| Direction of action | 3L-N & N-PE |
| Width | 49.20 mm |
| Height | 70.00 mm |
| Length | 98.50 mm |

Protective circuit

| | |
|-------------------------------------|--------------------------------------|
| IEC category | II |
| | T2 |
| EN type | T2 |
| Nominal voltage U_N | 120 V AC |
| Arrester rated voltage U_C (L-N) | 175 V AC |
| Arrester rated voltage U_C (N-PE) | 150 V AC |
| U_T (TOV-proof) | 208 V AC (5 s) |
| | 1200 V AC (200 ms / N-PE) |
| U_T (TOV-safe) | 240 V AC (5 s) |
| Nominal frequency f_N | 50 Hz |
| | 60 Hz |
| Nominal load current I_L | 40 A (biconnect, 6 mm ²) |
| | 63 A (2 x 10 mm ²) |
| Ground conductor current I_{PE} | $\leq 1 \mu\text{A}$ |
| Standby power consumption P_C | $\leq 1.75 \text{ mW}$ |

| | |
|--|------------------------|
| Max. discharge surge current I_{max} (8/20) μs maximum (L-N) | 120 kA (all channels) |
| Max. discharge surge current I_{max} (8/20) μs maximum (N-PE) | 40 kA |
| Nominal discharge surge current I_n (8/20) μs (L-N) | 60 kA (all channels) |
| Nominal discharge surge current I_n (8/20) μs (N-PE) | 20 kA |
| Impulse operate voltage at 6 kV (1.2/50) μs (N-PE) | ≤ 950 V |
| Protection level U_p (L-N) | ≤ 850 V |
| Protection level U_p (N-PE) | ≤ 950 V |
| Residual voltage (L-N) | ≤ 600 V (at 5 kA) |
| Residual voltage (L-PE) | ≤ 700 V (at 5 kA) |
| Residual voltage (N-PE) | ≤ 200 V (at 5 kA) |
| Clamping voltage SVR (L-N) | ≤ 500 V |
| Clamping voltage SVR (L-PE) | ≤ 1 kV |
| Clamping voltage SVR (N-PE) | ≤ 800 V |
| Response time (L-N) | ≤ 25 ns |
| Response time (L-PE) | ≤ 100 ns |
| Response time (N-PE) | ≤ 100 ns |
| Max. required backup fuse with branch wiring | 125 A (gL/gG) |
| Max. required backup fuse with V-type through wiring | 40 A (gL/gG) |
| Short-circuit resistance I_p with max. backup fuse (effective) | 25 kA |
| Short-circuit current self-quenching | 100 A (N-PE) |

Connection, protective circuit

| | |
|---------------------------------------|--------------------------------|
| Type of connection | Screw connection |
| Connection type IN | Biconnect screw terminal block |
| Connection type OUT | Biconnect screw terminal block |
| Connection method | Biconnect terminal block |
| Screw thread | M5 |
| Tightening torque | 4.5 Nm |
| Stripping length | 16 mm |
| Conductor cross section stranded min. | 2.5 mm ² |
| Conductor cross section stranded max. | 16 mm ² |
| Conductor cross section solid min. | 2.5 mm ² |
| Conductor cross section solid max. | 25 mm ² |

| | |
|--|----|
| Conductor cross section AWG/kcmil min. | 12 |
| Conductor cross section AWG/kcmil max | 4 |

Remote indicator contact

| | |
|---|--------------------------------|
| Connection name | Remote fault indicator contact |
| Switching function | PDT contact |
| Type of connection | Pluggable screw connection |
| Screw thread | M2 |
| Tightening torque | 0.25 Nm |
| Stripping length | 7 mm |
| Conductor cross section stranded min. | 0.14 mm ² |
| Conductor cross section stranded max. | 1.5 mm ² |
| Conductor cross section solid min. | 0.14 mm ² |
| Conductor cross section solid max. | 1.5 mm ² |
| Conductor cross section AWG/kcmil min. | 28 |
| Conductor cross section AWG/kcmil max | 16 |
| Maximum operating voltage U _{max} AC | 250 V AC |
| Maximum operating voltage U _{max} DC | 125 V DC |
| Max. operating current I _{max} | 1 A AC (inductive) |
| | 1 A AC (ohmic) |
| | 30 mA DC (inductive) |
| | 200 mA DC (ohmic) |
| Min. permissible switching capacity | 0.12 VA (12 V, 10 mA) |

Standards

| | |
|-----------------------|------------------------------|
| Standards/regulations | IEC 61643-1 2005 |
| | DIN EN 61643-11 2002 |
| | DIN EN 61643-11/A11 2007 |
| | IEEE C62.1 / C62.34 / C62.45 |
| | UL 1449 |

Certificates / Approvals



Certification

CB, CUL, GOST, KEMA, UL

Accessories

| Item | Designation | Description |
|------|-------------|-------------|
|------|-------------|-------------|

Bridges

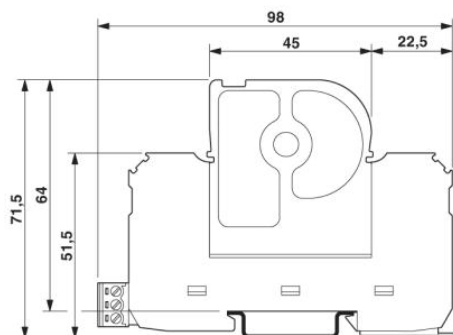
| | | |
|---------|-------------------|---|
| 2880684 | MPB SET VAL-CP-3S | Wiring bridge set, consisting of three flexible bridges 15 cm black, 1 bridge 27 cm blue. |
|---------|-------------------|---|

Marking

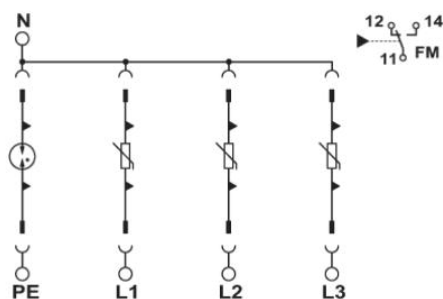
| | | |
|---------|----------------------|---|
| 0811228 | X-PEN 0,35 | Marker pen without ink cartridge, for manual labeling of markers, labeling extremely wipe-proof, line thickness 0.35 mm |
| 0809735 | ZBF 12:UNBEDRUCKT | Zack strip, flat, unprinted, 5-section, divisible, for labeling by the customer |
| 0803595 | ZBFM 5/WH:UNBEDRUCKT | Zack marker sheet, flat, unprinted: 120-section, 10 strips à 12 markers, sufficient for 120 terminal blocks, for all terminal blocks, pitch 5.2 mm, labeling with M-PEN or CMS system, color: white |

Diagrams/Drawings

Dimensioned drawing



Circuit diagram



Address

PHOENIX CONTACT Deutschland GmbH
Flachmarktstr. 8
32825 Blomberg, Germany
Phone +49 5235 3 12000
Fax +49 5235 3 41200
<http://www.phoenixcontact.de>



© 2011 Phoenix Contact
Technical modifications reserved;