

## 阅读申明

- 1.本站收集的数据手册和产品资料都来自互联网，版权归原作者所有。如读者和版权方有任何异议请及时告之，我们将妥善解决。
- 2.本站提供的中文数据手册是英文数据手册的中文翻译，其目的是协助用户阅读，该译文无法自动跟随原稿更新，同时也可能存在翻译上的不当。建议读者以英文原稿为参考以便获得更精准的信息。
- 3.本站提供的产品资料，来自厂商的技术支持或者使用者的心得体会等，其内容可能存在描述上的差异，建议读者做出适当判断。
- 4.如需与我们联系，请发邮件到marketing@iczoom.com，主题请标有“数据手册”字样。

## Read Statement

1. The datasheets and other product information on the site are all from network reference or other public materials, and the copyright belongs to the original author and original published source. If readers and copyright owners have any objections, please contact us and we will deal with it in a timely manner.
2. The Chinese datasheets provided on the website is a Chinese translation of the English datasheets. Its purpose is for reader's learning exchange only and do not involve commercial purposes. The translation cannot be automatically updated with the original manuscript, and there may also be improper translations. Readers are advised to use the English manuscript as a reference for more accurate information.
3. All product information provided on the website refer to solutions from manufacturers' technical support or users the contents may have differences in description, and readers are advised to take the original article as the standard.
4. If you have any questions, please contact us at marketing@iczoom.com and mark the subject with "Datasheets" .


**VAL-CP-3C-350 VF**

Order No.: 2859534

<http://eshop.phoenixcontact.de/phoenix/treeViewClick.do?UID=2859534>

Leakage current free pluggable type 2 arrester (surge arrester) for 3-phase current supply networks with N and PE in a common conductor (4-conductor system: L1, L2, L3, PEN), with remote indication contact. Overall width: 36 mm.

**Commercial data**

GTIN (EAN)	 4 017918 980559
sales group	J020
Pack	1 pcs.
Customs tariff	85363030
Catalog page information	Page 28 (TT-2009)

**Product notes**WEEE/RoHS-compliant since:  
06/28/2006

<http://www.download.phoenixcontact.com>  
Please note that the data given here has been taken from the online catalog. For comprehensive information and data, please refer to the user documentation. The General Terms and Conditions of Use apply to Internet downloads.

**Technical data****Standards**

Housing material	PBT
Inflammability class acc. to UL 94	V0
Color	gray

Standards for air and creepage distances	DIN VDE 0110-1
	IEC 60664-1: 1992-10
	IEC 61643-1
Surge voltage category	III
Pollution degree	2
Degree of protection	IP20
Mounting type	DIN rail: 35 mm
Design	DIN rail module, two-section, divisible
Number of positions	3
Ambient temperature (operation)	-40 °C ... 80 °C
Message: Surge protection fault	Optical, remote indicator contact
Direction of action	3L-N/PE
Width	37.25 mm
Height	70.00 mm
Length	98.50 mm
<b>Protective circuit</b>	
IEC category	II
	T2
EN type	T2
Nominal voltage $U_N$	240 V AC (230/400 V AC ... 240/415 V AC)
	415 V AC (L-L)
Arrester rated voltage $U_C$ (L-PEN)	350 V AC
$U_T$ (TOV-proof)	350 V AC (5 s)
Nominal frequency $f_N$	50 Hz
	60 Hz
Nominal load current $I_L$	40 A (40 A ... 63 A)
Ground conductor current $I_{PE}$	$\leq 1 \mu\text{A}$ (ground conductor current $I_{PE}$ )
Standby power consumption $P_c$	$\leq 0.35 \text{ mW}$
Power consumption without load $P_c$	$\leq 0.35 \text{ mW}$
Max. discharge surge current $I_{max}$ (8/20) $\mu\text{s}$ maximum (L-PEN)	60 kA (all channels)
Nominal discharge surge current $I_n$ (8/20) $\mu\text{s}$ (L-PEN)	10 kA (1 channel)
	30 kA (all channels)
Impulse operate voltage at 6 kV (1.2/50) $\mu\text{s}$ (L-PEN)	$\leq 1.5 \text{ kV}$

Protection level $U_p$ (L-PEN)	$\leq 1.5$ kV
Residual voltage (L-PEN)	$\leq 1.1$ kV (at $I_n$ )
	$\leq 1$ kV (at 5 kA)
	$\leq 0.9$ kV (at 3 kA)
Clamping voltage SVR (L-N)	$\leq 1.2$ kV
Clamping voltage ringwave (L-PEN)	$\leq 1.3$ kV (category C3 20 kV/10 kA)
	$\leq 1.2$ kV (category C2 10 kV/5 kA)
	$\leq 1.1$ kV (category B3/C1 6 kV/3 kA)
Response time (L-N)	$\leq 100$ ns
Max. required backup fuse with branch wiring	125 A (gL/gG)
Max. required backup fuse with V-type through wiring	40 A
Short-circuit resistance $I_p$ with max. backup fuse (effective)	25 kA

**Connection, protective circuit**

Type of connection	Screw connection
Connection type IN	Biconnect screw terminal block
Connection type OUT	Biconnect screw terminal block
Connection method	Biconnect terminal block
Screw thread	M5
Tightening torque	4.5 Nm
Stripping length	16 mm
Conductor cross section stranded min.	2.5 mm <sup>2</sup>
Conductor cross section stranded max.	16 mm <sup>2</sup>
Conductor cross section solid min.	2.5 mm <sup>2</sup>
Conductor cross section solid max.	25 mm <sup>2</sup>
Conductor cross section AWG/kcmil min.	12
Conductor cross section AWG/kcmil max	4

**Remote indicator contact**

Connection name	Remote fault indicator contact
Switching function	PDT contact
Type of connection	Pluggable screw connection
Screw thread	M2
Tightening torque	0.25 Nm
Stripping length	7 mm

Conductor cross section stranded min.	0.14 mm <sup>2</sup>
Conductor cross section stranded max.	1.5 mm <sup>2</sup>
Conductor cross section solid min.	0.14 mm <sup>2</sup>
Conductor cross section solid max.	1.5 mm <sup>2</sup>
Conductor cross section AWG/kcmil min.	28
Conductor cross section AWG/kcmil max	16
Maximum operating voltage U <sub>max.</sub> AC	250 V AC
Maximum operating voltage U <sub>max.</sub> DC	125 V DC
Max. operating current I <sub>max.</sub>	1 A AC (inductive)
	1 A AC (ohmic)
	30 mA DC (inductive)
	200 mA DC (ohmic)
Min. permissible switching capacity	0.12 VA (12 V, 10 mA)

#### Standards

Standards/regulations	IEC 61643-1 1998
	DIN EN 61643-11 2002
	UL 1449
	IEEE C62.1 / C62.34 / C62.45

#### Certificates / Approvals



Certification

CB, CUL, GOST, KEMA, UL

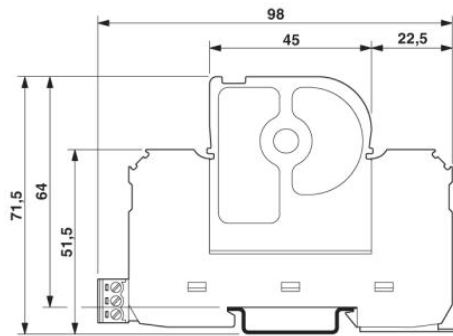
#### Accessories

Item	Designation	Description
<b>Bridges</b>		
2880684	MPB SET VAL-CP-3S	Wiring bridge set, consisting of three flexible bridges 15 cm black, 1 bridge 27 cm blue.
<b>Marking</b>		
0811228	X-PEN 0,35	Marker pen without ink cartridge, for manual labeling of markers, labeling extremely wipe-proof, line thickness 0.35 mm

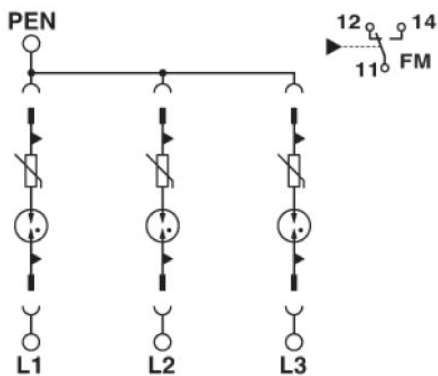
0809735	ZBF 12:UNBEDRUCKT	Zack strip, flat, unprinted, 5-section, divisible, for labeling by the customer
0803595	ZBFM 5/WH:UNBEDRUCKT	Zack marker sheet, flat, unprinted: 120-section, 10 strips à 12 markers, sufficient for 120 terminal blocks, for all terminal blocks, pitch 5.2 mm, labeling with M-PEN or CMS system, color: white

**Diagrams/Drawings**

Dimensioned drawing



Circuit diagram



**Address**

PHOENIX CONTACT Deutschland GmbH  
Flachmarktstr. 8  
32825 Blomberg, Germany  
Phone +49 5235 3 12000  
Fax +49 5235 3 41200  
<http://www.phoenixcontact.de>



© 2011 Phoenix Contact  
Technical modifications reserved;