

## 阅读申明

- 1.本站收集的数据手册和产品资料都来自互联网，版权归原作者所有。如读者和版权方有任何异议请及时告之，我们将妥善解决。
- 2.本站提供的中文数据手册是英文数据手册的中文翻译，其目的是协助用户阅读，该译文无法自动跟随原稿更新，同时也可能存在翻译上的不当。建议读者以英文原稿为参考以便获得更精准的信息。
- 3.本站提供的产品资料，来自厂商的技术支持或者使用者的心得体会等，其内容可能存在描述上的差异，建议读者做出适当判断。
- 4.如需与我们联系，请发邮件到marketing@iczoom.com，主题请标有“数据手册”字样。

## Read Statement

1. The datasheets and other product information on the site are all from network reference or other public materials, and the copyright belongs to the original author and original published source. If readers and copyright owners have any objections, please contact us and we will deal with it in a timely manner.
2. The Chinese datasheets provided on the website is a Chinese translation of the English datasheets. Its purpose is for reader's learning exchange only and do not involve commercial purposes. The translation cannot be automatically updated with the original manuscript, and there may also be improper translations. Readers are advised to use the English manuscript as a reference for more accurate information.
3. All product information provided on the website refer to solutions from manufacturers' technical support or users the contents may have differences in description, and readers are advised to take the original article as the standard.
4. If you have any questions, please contact us at marketing@iczoom.com and mark the subject with "Datasheets" .

**TAS5000**  
***Digital Audio PWM Processor***

*Data Manual*

## **IMPORTANT NOTICE**

Texas Instruments and its subsidiaries (TI) reserve the right to make changes to their products or to discontinue any product or service without notice, and advise customers to obtain the latest version of relevant information to verify, before placing orders, that information being relied on is current and complete. All products are sold subject to the terms and conditions of sale supplied at the time of order acknowledgment, including those pertaining to warranty, patent infringement, and limitation of liability.

TI warrants performance of its semiconductor products to the specifications applicable at the time of sale in accordance with TI's standard warranty. Testing and other quality control techniques are utilized to the extent TI deems necessary to support this warranty. Specific testing of all parameters of each device is not necessarily performed, except those mandated by government requirements.

Customers are responsible for their applications using TI components.

In order to minimize risks associated with the customer's applications, adequate design and operating safeguards must be provided by the customer to minimize inherent or procedural hazards.

TI assumes no liability for applications assistance or customer product design. TI does not warrant or represent that any license, either express or implied, is granted under any patent right, copyright, mask work right, or other intellectual property right of TI covering or relating to any combination, machine, or process in which such semiconductor products or services might be or are used. TI's publication of information regarding any third party's products or services does not constitute TI's approval, warranty or endorsement thereof.

# Contents

<i>Section</i>	<i>Title</i>	<i>Page</i>
<b>1</b>	<b>Introduction</b>	<b>1-1</b>
1.1	Features	1-1
1.2	Functional Block Diagram	1-2
1.3	Suggested System Block Diagrams	1-3
1.4	Terminal Assignments	1-5
1.5	Ordering Information	1-5
1.6	Terminal Functions	1-6
<b>2</b>	<b>Functional Description</b>	<b>2-1</b>
2.1	Serial Audio Port	2-1
2.2	System Clocks – Master Mode and Slave Mode	2-1
2.3	Oscillator/Sampling Frequency	2-1
2.4	Phase Locked Loop (PLL)/Clock Generation	2-1
2.5	Digital Interpolation Filter	2-2
2.6	Digital PWM Modulator	2-2
2.7	Control, Status, and Operational Modes	2-2
2.7.1	Power Up	2-2
2.7.2	Reset	2-3
2.7.3	Power Down	2-3
2.7.4	Mute	2-3
2.7.5	Double Speed	2-4
2.7.6	De-Emphasis Filter	2-4
2.7.7	Error Status Reporting ( $\overline{\text{ERR}}$ pin)	2-4
2.8	Serial Interface Formats	2-4
2.8.1	MSB First Right Justified (for 16-, 20-, 24-bits)	2-5
2.8.2	IIS Compatible Serial Format (for 16-, 20-, 24-bits)	2-5
2.8.3	MSB Left Justified Serial Interface Format (for 16 bits)	2-6
2.8.4	DSP Compatible Serial Interface Format (for 16 bits)	2-6
2.9	PWM Outputs	2-6
<b>3</b>	<b>Electrical Specifications</b>	<b>3-1</b>
3.1	Absolute Maximum Ratings	3-1
3.2	Recommended Operating Conditions	3-1
3.3	Electrical Characteristics	3-2
3.3.1	Static Digital Specifications	3-2
3.3.2	Digital Interpolation Filter and PWM Modulator	3-2
3.3.3	TAS5000/TAS5100 System Performance Measured at the Speaker Terminals	3-2
3.4	Switching Characteristics	3-2

3.4.1	Serial Audio Ports Slave Mode .....	3-2
3.4.2	Serial Audio Ports Master Mode .....	3-3
3.4.3	DSP Serial Interface Switching Characteristics .....	3-3
<b>4</b>	<b>Parameter Measurement Information .....</b>	<b>4-1</b>
<b>5</b>	<b>Application Information .....</b>	<b>5-1</b>

## List of Illustrations

<i>Figure</i>	<i>Title</i>	<i>Page</i>
1-1	System #1: Stereo Configuration Using Two TAS5100 Amplifiers .....	1-3
1-2	System #2: Stereo Configuration With DSP .....	1-3
1-3	System #3: 6-Channel Audio Playback .....	1-4
2-1	Power-Up Timing ( $\overline{\text{RESET}}$ preceding $\overline{\text{PDN}}$ ) .....	2-2
2-2	Power-Up Timing ( $\overline{\text{PDN}}$ preceding $\overline{\text{RESET}}$ ) .....	2-3
2-3	Reset Timing .....	2-3
2-4	Power-Down Timing .....	2-3
2-5	De-Emphasis Filter Characteristics .....	2-4
2-6	MSB First Right Justified .....	2-5
2-7	IIS Compatible Serial Format .....	2-5
2-8	MSB Left Justified Serial Interface Format .....	2-6
2-9	DSP Compatible Serial Interface Format .....	2-6
4-1	Right Justified, IIS, Left Justified Serial Protocol Timing .....	4-1
4-2	Right, Left, and IIS Serial Mode Timing Requirement .....	4-1
4-3	Serial Audio Ports Master Mode Timing .....	4-1
4-4	DSP Serial Port Timing .....	4-1
4-5	DSP Serial Port Expanded Timing .....	4-2
4-6	DSP Absolute Timing Requirement .....	4-2
5-1	Connection Diagram, Slave Mode (typical) .....	5-1

## List of Tables

<i>Table</i>	<i>Title</i>	<i>Page</i>
2-1	Oscillator, External Clock, and PLL Functions .....	2-2
2-2	Mute Description .....	2-4
2-3	De-Emphasis Selection .....	2-4
2-4	Hardware Selection of Serial Audio Modes .....	2-5

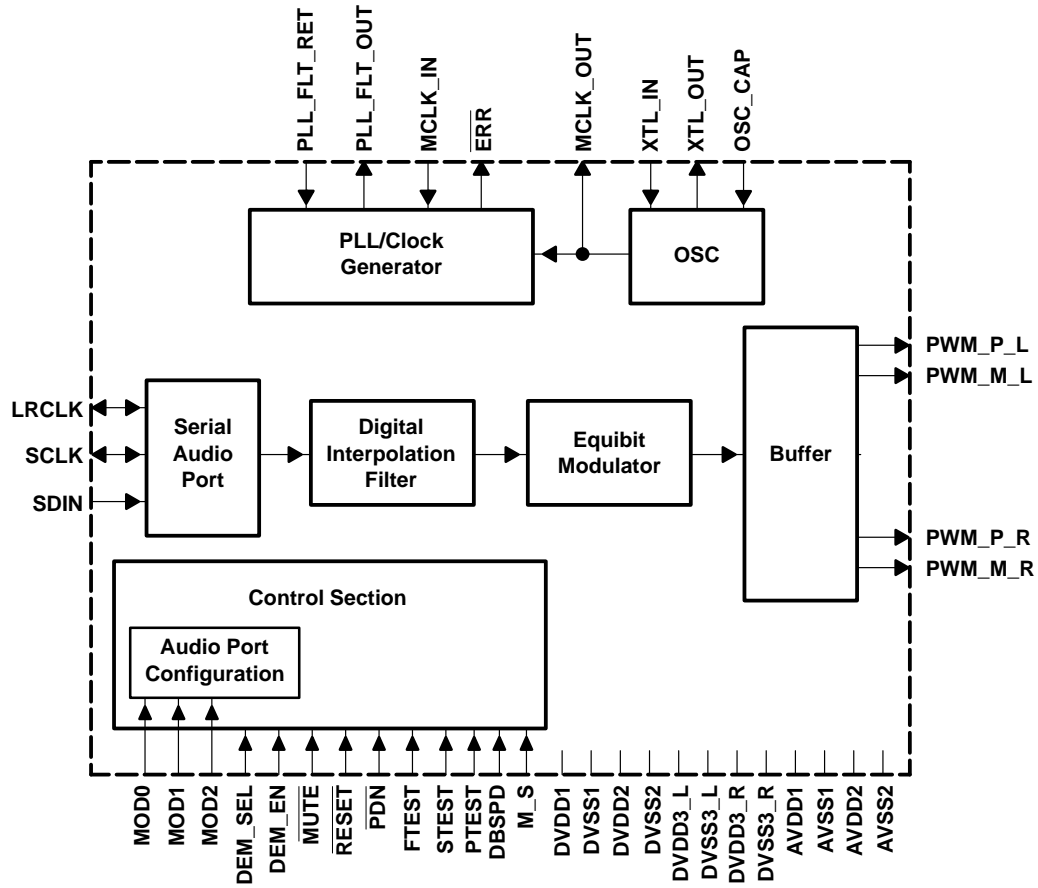
# 1 Introduction

The TAS5000 is an innovative, cost-effective, high-performance 24-bit stereo digital modulator based on Equibit™ technology. This product converts input PCM serial digital audio data to an output PWM audio data stream. The TAS5000 is designed to be connected to two TAS5100 mono true digital amplifiers for driving loudspeakers. This all-digital audio system contains only two analog components in the signal chain—an L-C low-pass filter at the speaker terminals. It can provide up to 90 dB SNR at the speaker terminals. It has a wide variety of serial input options including right justified (16, 20, or 24-bit), IIS (16, 20, or 24-bit), left justified (16-bit), or DSP (16-bit) data formats. It is fully compatible with AES standard sampling rates of 44.1 kHz, 48 kHz, 88.2 kHz, and 96 kHz including providing de-emphasis for 44.1 kHz, and 48 kHz sample rates. The TAS5000 and TAS5100 system can be used in a range of products such as microcomponent systems, PC speakers, home theater in a box, convergence products, A/V receivers, or TV sets.

## 1.1 Features

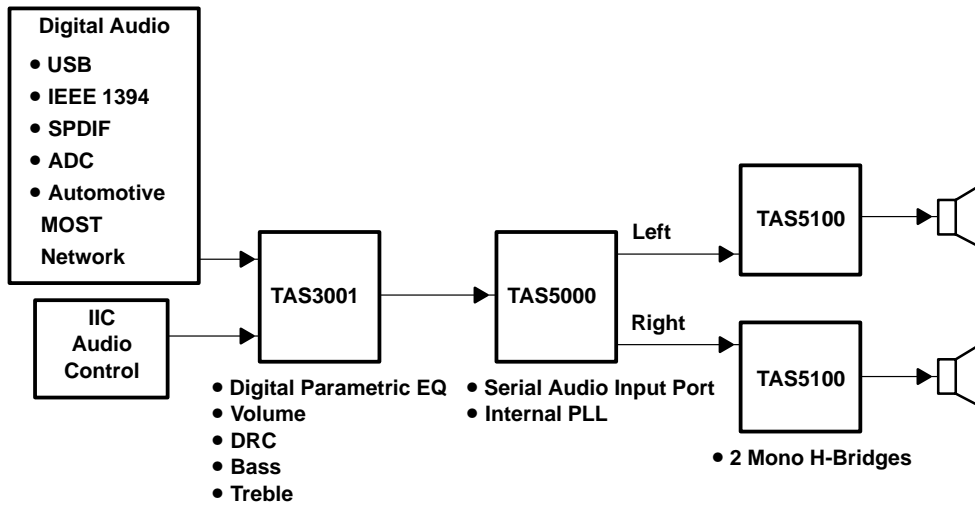
- True Digital Audio Amplifier
- High Quality Audio
- 16-, 20-, or 24 Bit Input Data
- Sampling Rates: 44.1 kHz, 48 kHz, 88.2 kHz, and 96 kHz
- Supports Master and Slave Modes
- 90 dB SNR (EIAJ) and Dynamic Range at the Speaker Terminals
- 3.3 V Power Supply Operation
- Economical 48-Pin TQFP Package
- Digital De-Emphasis: 44.1 kHz and 48 kHz
- High Power Efficiency
- Clock Oscillator Circuit for Master Modes
- Low Jitter Internal PLL
- Mute
- Good Phase Characteristics
- Excellent PSRR

## 1.2 Functional Block Diagram

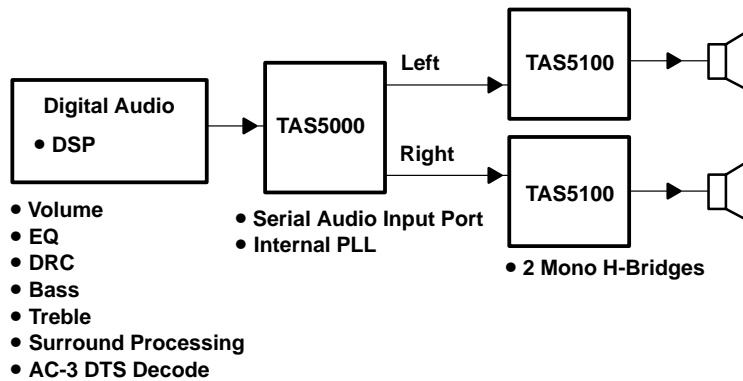


### 1.3 Suggested System Block Diagrams

See application notes for more details.



**Figure 1–1. System #1: Stereo Configuration Using Two TAS5100 Amplifiers**



**Figure 1–2. System #2: Stereo Configuration With DSP**



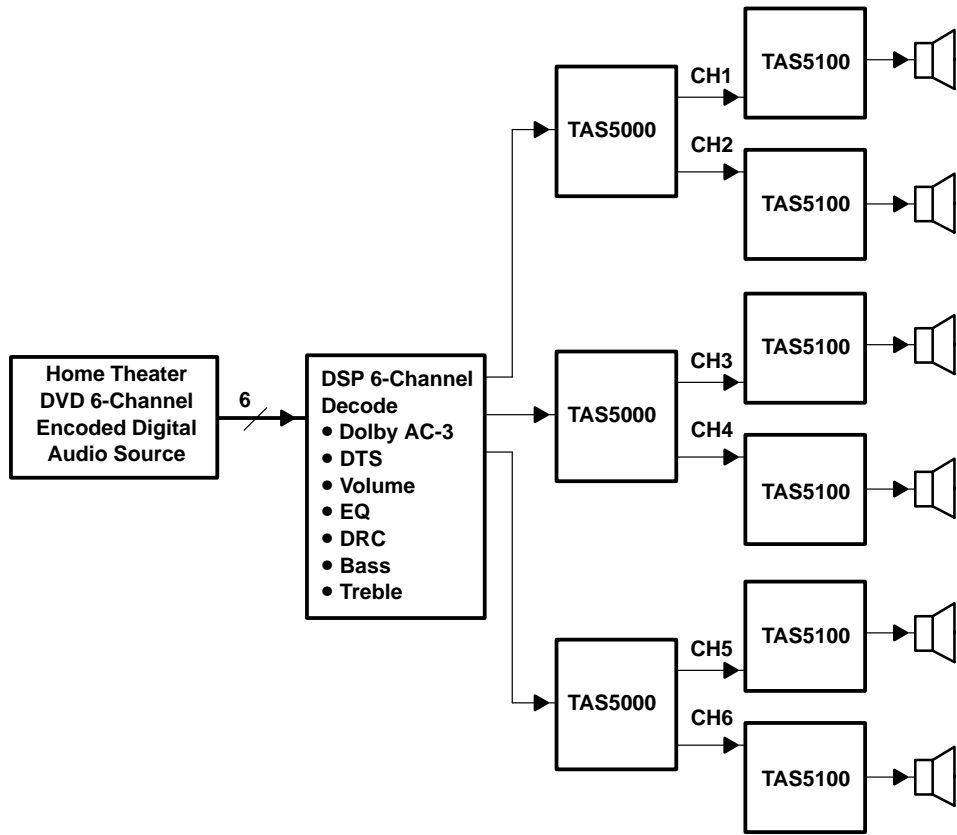
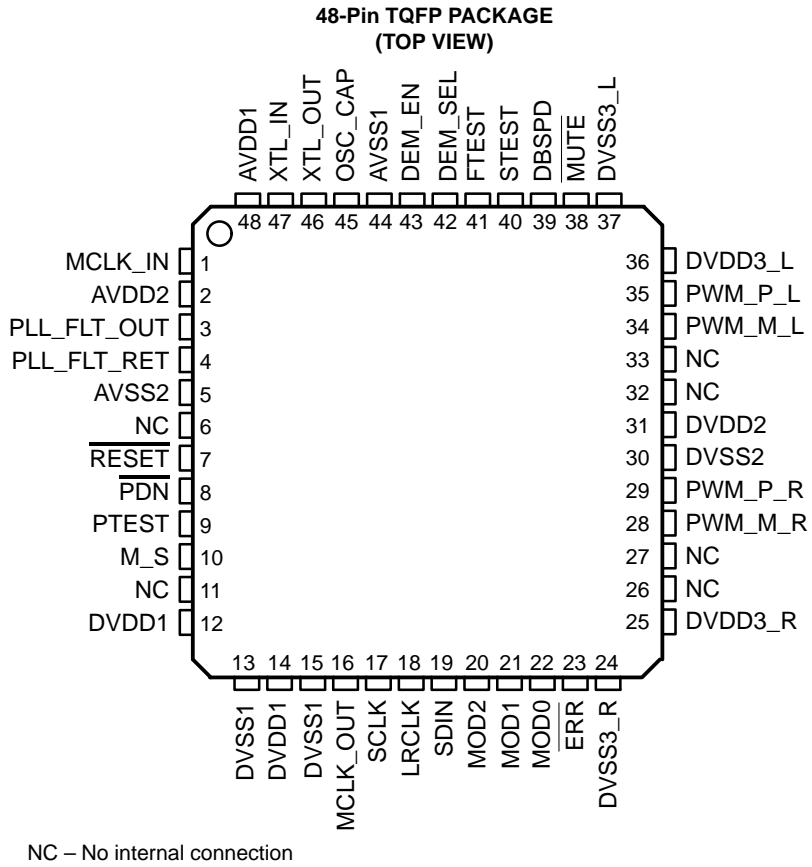


Figure 1-3. System #3: 6-Channel Audio Playback

## 1.4 Terminal Assignments



## 1.5 Ordering Information

$T_A$	PACKAGE
0°C to 70°C	TAS5000PFB

## 1.6 Terminal Functions

TERMINAL NAME		NO.	I/O	DESCRIPTION
AVDD1		48	I	Analog supply for oscillator
AVDD2		2	I	Analog supply for PLL
AVSS1		44	I	Analog ground for oscillator
AVSS2		5	I	Analog ground for PLL
DBSPD		39	I	Indicates sample rate is double speed (88.2 kHz or 96 kHz), active high
DEM_EN		43	I	De-emphasis enable, active high
DEM_SEL		42	I	De-emphasis select (0 = 44.1 kHz, 1 = 48 kHz)
DVDD1		12, 14	I	Digital voltage supply for logic
DVDD2		31	I	Digital voltage supply for PWM reclocking
DVDD3_L		36	I	Digital voltage supply for PWM output (left)
DVDD3_R		25	I	Digital voltage supply for PWM output (right)
DVSS1		13, 15	I	Digital ground for Logic
DVSS2		30	I	Digital ground for PWM reclocking
DVSS3_L		37	I	Digital ground for PWM output (left)
DVSS3_R		24	I	Digital ground for PWM output (right)
ERR		23	O	System error flag, active low
FTEST		41	I	Tied to DVSS1 for normal operation
LRCLK		18	I/O	Left/right clock (input when M_S = 0; output when M_S = 1)
MCLK_IN		1	I	MCLK input
MCLK_OUT		16	O	Buffered system clock output if M_S = 1; otherwise set to 0
MOD0		22	I	Serial interface selection pin, bit 0
MOD1		21	I	Serial interface selection pin, bit 1
MOD2		20	I	Serial interface selection pin, bit 2 (MSB)
M_S		10	I	Master/slave, Master=1, Slave=0
MUTE		38	I	Muted signal = 0, Normal mode = 1
NC		6, 11, 26, 27, 32, 33		No connection
OSC_CAP		45	I	Oscillator cap return
PDN		8	I	Power down, active low
PTEST		9	I	Tied to DVSS1 for normal operation
PLL_FLT_OUT		3	O	Output terminal for external PLL filter
PLL_FLT_RET		4	I	Return for external PLL filter
PWM_M_L		34	O	PWM left output (differential -) Positive H-bridge side
PWM_M_R		28	O	PWM right output (differential -) Positive H-bridge side
PWM_P_L		35	O	PWM left output (differential +) Positive H-bridge side
PWM_P_R		29	O	PWM right output (differential +) Positive H-bridge side
RESET		7	I	Reset (active low)
SCLK		17	I/O	Shift clock (input when M_S = 0, output when M_S = 1)
SDIN		19	I	Stereo serial audio data input
STEST		40	I	Tied to DVSS1 for normal operation
XTL_IN		47	I	Crystal or clock input (MCLK input)
XTL_OUT		46	O	Crystal output (not for external usage) NC when XTL_IN is MCLK input

## 2 Functional Description

### 2.1 Serial Audio Port

The serial audio port consists of a shift clock (SCLK pin), a left/right frame synchronization clock (LRCLK pin), and a data input (SDIN pin). The serial audio port supports standard serial PCM formats ( $F_s = 44.1$  kHz, 48 kHz, 88.2 kHz, or 96 kHz) stereo. See section 2.8 for Serial Interface Formats.

### 2.2 System Clocks – Master Mode and Slave Mode

The TAS5000 allows multiple system clocking schemes. In this document, master mode indicates that the TAS5000 provides system clocks to other parts of the system ( $M\_S=1$ ). Audio system clocks of frequency  $256F_s$  MCLK\_OUT,  $64 F_s$  SCLK, and  $F_s$  LRCLK are output from this device when it is configured in master mode. Slave mode indicates that a system master other than the TAS5000 provides system clocks (LRCLK, SCLK, and MCLK\_IN) to the TAS5000 ( $M\_S = 0$ ). The TAS5000 operates with LRCLK and SCLK synchronized to MCLK. TAS5000 does not require any specific phase relationship between LRCLK and MCLK, but there must be synchronization. If the synchronization between MCLK and LRCLK changes more than 10 MCLK periods during one sample period (LRCLK), the TAS5000 will initiate an internal reset. In the slave mode MCLK\_OUT is driven low. Table 2–1 shows all the possible master and slave modes.

### 2.3 Oscillator/Sampling Frequency

The sampling frequency is determined by the crystal (master mode) or master clock in (slave mode) which should be either 11.2896 MHz ( $F_s = 44.1$  kHz) or 12.288 MHz ( $F_s = 48$  kHz). Twice the normal sampling frequency can be selected by using the DBSPD pin which allows usage of  $F_s = 88.2$  kHz or  $F_s = 96$  kHz. In the double-speed slave mode ( $DBSPD = 1$ ,  $M\_S = 0$ ), the external clock input is either 22.5796 MHz ( $F_s = 88.2$  kHz) or 24.576 MHz ( $F_s = 96$  kHz). Table 2–1 explains the proper clock selection.

### 2.4 Phase Locked Loop (PLL)/Clock Generation

A low jitter PLL is incorporated for internal use. Connections for the PLL external loop filter are provided as PLL\_FLT\_RET and PLL\_FLT\_OUT. See Figure 5–1 for a suggested external loop filter. If the PLL loses lock, the error status pin (ERR) will go low. Note that ERR can go low for other conditions as well. See section 2.7.7 Error Status Reporting.

**Table 2–1. Oscillator, External Clock, and PLL Functions**

DESCRIPTION	M_S	DBSPD	XTL_IN (MHz) <sup>†</sup>	MCLK_IN (MHz) <sup>‡</sup>	SCLK (MHz) <sup>¶</sup>	LRCLK (kHz) <sup>¶</sup>	MCLK_OUT (MHz) <sup>#</sup>
Master, normal speed	1	0	11.2896	—	2.8224	44.1	11.2896
Master, normal speed	1	0	12.288	—	3.072	48	12.288
Master, double speed	1	1	—	22.5792 <sup>§</sup>	5.6448	88.2	22.5792
Master, double speed	1	1	—	24.576 <sup>§</sup>	6.144	96	24.576
Slave, normal speed	0	0	—	11.2896 <sup>§</sup>	2.8224	44.1	Digital GND
Slave, normal speed	0	0	—	12.288 <sup>§</sup>	3.072	48	Digital GND
Slave, double speed	0	1	—	22.5792 <sup>§</sup>	5.6448	88.2	Digital GND
Slave, double speed	0	1	—	24.576 <sup>§</sup>	6.144	96	Digital GND

<sup>†</sup> Either a crystal oscillator or an external clock of the specified frequency can be connected to XTL\_IN.

<sup>‡</sup> MCLK\_IN tied low when input to XTL\_IN is provided; XTL\_IN tied low when MCLK\_IN is provided.

<sup>§</sup> External MCLK connected to MCLK\_IN input

<sup>¶</sup> SCLK and LRCLK are outputs when M\_S=1, inputs when M\_S=0.

<sup>#</sup> MCLK\_OUT is driven low when M\_S=0.

## 2.5 Digital Interpolation Filter

The 24-bit high performance linear phase FIR interpolation filter up-samples the input digital data at a rate of 4 times (double speed mode = 88.2 kHz or 96 kHz) or 8 times (normal mode = 44.1 kHz or 48 kHz) the incoming sample rate. This filter provides very low pass-band ripple and optimized time domain transient response for accurate music reproduction.

## 2.6 Digital PWM Modulator

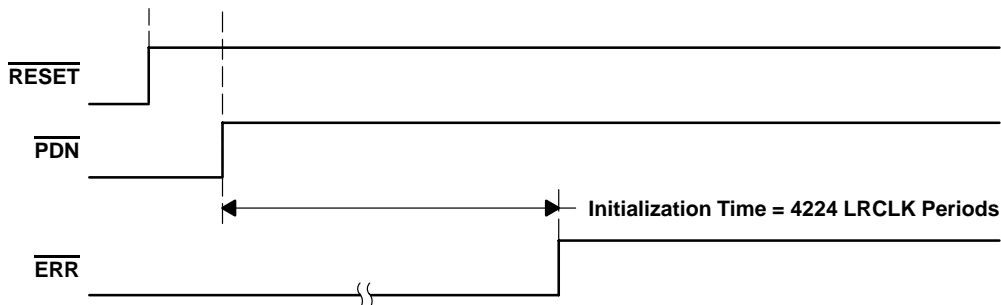
The interpolation filter output is sent to the modulator. This modulator consists of a high performance 4<sup>th</sup> order digital noise shaper and a PCM to PWM converter. Following the noise shaper, the PCM signal is fed into a very low distortion PCM to PWM conversion block, buffered and output from the chip. The modulation scheme is based on a 2-state control of the H-bridge output.

## 2.7 Control, Status, and Operational Modes

The TAS5000 control section consists of several control-input pins. Three serial mode pins (MOD0, MOD1, and MOD2) are provided to select various serial data formats. During normal operating conditions if any of the MOD0, MOD1, or MOD2 pins changes state, a reset sequence is initiated (see paragraph 2.7.2). Also provided are separate power-down (PDN), reset (RESET), and mute (MUTE) pins. The ERR pin indicates that an error has occurred.

### 2.7.1 Power Up

At power up the  $\overline{\text{ERR}}$  pin is asserted low and the PWM outputs go to the hard mute state in which the P outputs are held low and the M outputs are held high. Following initialization, the TAS5000 will come up in the operational state. There are two cases of power-up timing. The first case is shown in Figure 2–1 with  $\overline{\text{RESET}}$  preceding  $\overline{\text{PDN}}$ . The second case is shown in Figure 2–2 with  $\overline{\text{PDN}}$  preceding  $\overline{\text{RESET}}$ .



**Figure 2–1. Power-Up Timing ( $\overline{\text{RESET}}$  preceding  $\overline{\text{PDN}}$ )**

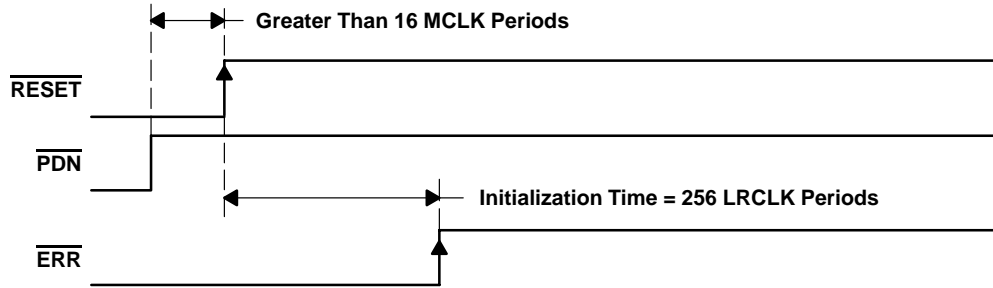


Figure 2–2. Power-Up Timing ( $\overline{\text{PDN}}$  preceding  $\overline{\text{RESET}}$ )

### 2.7.2 Reset

The reset signal for the TAS5000 should be applied whenever toggling the M\_S, DBSPD signal. This reset is asynchronous. See Figure 2–3 for reset timing. To initiate the reset sequence the  $\overline{\text{RESET}}$  pin is asserted low. As long as the pin is held low the chip is in the reset state. During this reset time the PWM outputs are hard-muted (P-outputs held low and M-outputs held high) and the  $\overline{\text{ERR}}$  status pin is held low. Assuming  $\overline{\text{PDN}}$  is high, the rising edge of the reset pulse begins chip initialization. After 256 LRCLK periods the TAS5000 will begin normal operation.

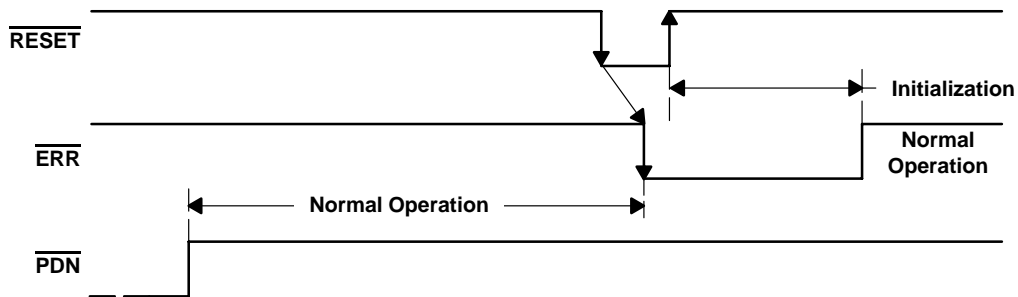


Figure 2–3. Reset Timing

### 2.7.3 Power Down

When  $\overline{\text{PDN}}$  is low (see Figure 2–4. Power-Down Timing) both the PLL and the oscillator are shut down. Note that power down is an asynchronous operation. To place the device in total power-down mode, both  $\overline{\text{RESET}}$  and  $\overline{\text{PDN}}$  must be held low. As long as these pins are held low, the chip is in the power-down state and the PWM outputs are hard muted with the P outputs held low and the M outputs held high. To place the device back into normal mode, see section 2.7.1 for power-up timing.

**NOTE:** In order for the dynamic logic to be properly powered down, the clocks should not be stopped before the  $\overline{\text{PDN}}$  pin goes low. Otherwise, the device may drain additional supply current.

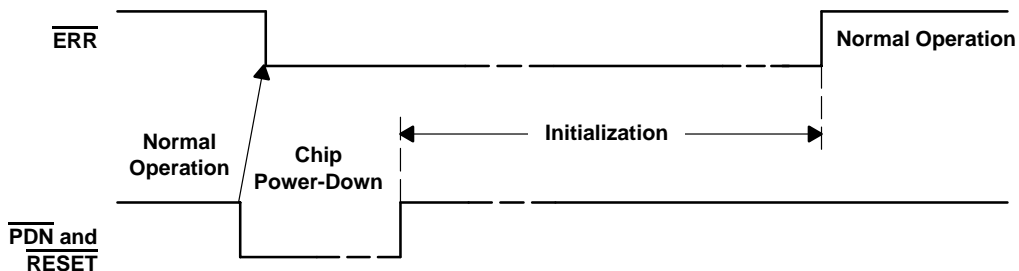


Figure 2–4. Power-Down Timing

### 2.7.4 Mute

The TAS5000 provides a mute function that is used when the  $\overline{\text{MUTE}}$  pin is asserted low. See Table 2–2 for Mute Description. This mute is a quiet mute; that is, the mute is accomplished by outputting a zero value waveform in which both sides of the differential PWM outputs have a 50% duty cycle.

**Table 2–2. Mute Description**

MUTE	PWM_P	PWM_M	DESCRIPTION
0	50% Duty cycle	50% Duty cycle	Mute
1	DATA	$\overline{\text{DATA}}$	Normal operation

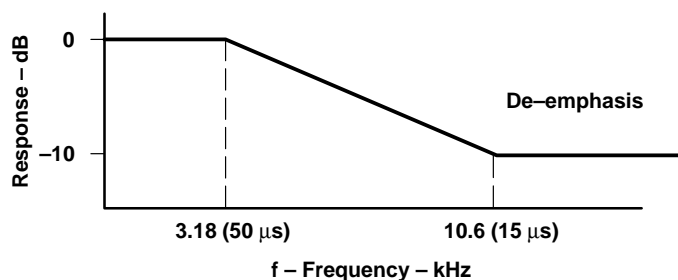
### 2.7.5 Double Speed

Double-speed mode is used to support sampling rates of 88.2 kHz and 96 kHz. In order to put the TAS5000 in double-speed mode with the device in normal operating conditions, the  $\overline{\text{RESET}}$  pin must be held low while switching the DBSPD pin high. After  $\overline{\text{RESET}}$  pin is brought high again, a reset sequence takes place (see paragraph 2.7.2). If the change is at power up, a power up sequence is originated (see paragraph 2.7.1).

### 2.7.6 De-Emphasis Filter

For audio sources that have been pre-emphasized, a precision 50  $\mu\text{s}$ /15  $\mu\text{s}$  de-emphasis filter is provided to support the sampling rates of 44.1 kHz and 48 kHz. Pins DEM\_SEL and DEM\_EN select the de-emphasis functions. See Figure 2–5 for a graph showing the de-emphasis filtering characteristics. See Table 2–3 for de-emphasis selection.

When the DEM\_EN pin or the DEM\_SEL pin change state, the PWM outputs go into the quiet mute state. After 128 LRCLK periods for initialization, the PWM outputs are driven to the normal (unmuted) mode.



**Figure 2–5. De-Emphasis Filter Characteristics**

#### 2.7.6.1 De-Emphasis Selection

De-emphasis selection is accomplished by using the DEM\_SEL and DEM\_EN pins. See Table 2–3 for de-emphasis selection description.

**Table 2–3. De-Emphasis Selection**

DEM_SEL	DEM_EN	DESCRIPTION
X	0	De-emphasis disabled
0	1	De-emphasis enabled for $F_s = 44.1$ kHz
1	1	De-emphasis enabled for $F_s = 48$ kHz

### 2.7.7 Error Status Reporting ( $\overline{\text{ERR}}$ pin)

The following is a list of the error conditions that will cause the  $\overline{\text{ERR}}$  status pin to be asserted low:

- No clocks
- Clock phase errors

When any of the above conditions is met, the  $\overline{\text{ERR}}$  will go low and the PWM outputs will go to the hard mute state. If the error condition is removed, the TAS5000 is reinitialized and the  $\overline{\text{ERR}}$  pin will be asserted high.

## 2.8 Serial Interface Formats

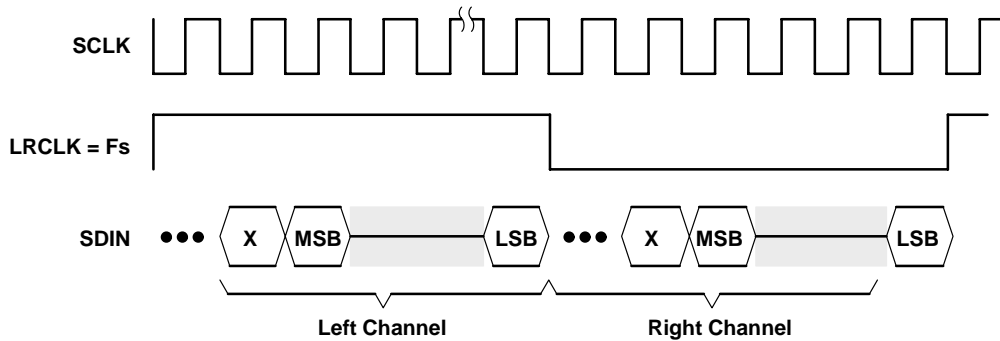
The TAS5000 is compatible with eight different serial interfaces. Available interface options are IIS, right justified, left justified, and DSP Frame. Table 2–4 indicates how these options are selected using the MOD0, MOD1, and MOD2 pins.

**Table 2–4. Hardware Selection of Serial Audio Modes**

MODE	MOD2 PIN	MOD1 PIN	MOD0 PIN	SERIAL INTERFACE SDIN
0	0	0	0	16 bit, MSB first; right justified
1	0	0	1	20 bit, MSB first; right justified
2	0	1	0	24 bit, MSB first; right justified
3	0	1	1	16 bit IIS
4	1	0	0	20 bit IIS
5	1	0	1	24 bit IIS
6	1	1	0	16 bit MSB first, left justified
7	1	1	1	16 bit DSP frame

The following figures illustrate the relationship between the SCLK, LRCLK and the serial data I/O for the different interface protocols. Note that there are always 64 SCLKs per LRCLK. The nondata bits are padded with binary 0.

### 2.8.1 MSB First Right Justified (for 16-, 20-, 24-bits)

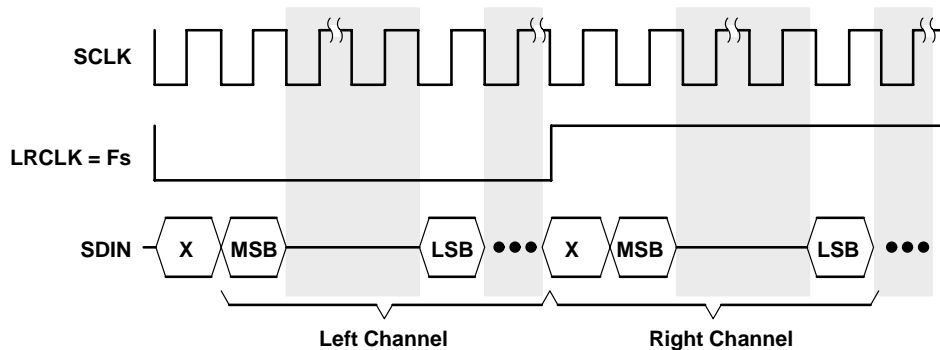


**Figure 2–6. MSB First Right Justified**

Note the following characteristics of this protocol.

- Left channel is received when LRCLK is high.
- Right channel is received when LRCLK is low.
- The SDIN data is justified to the trailing edge of the LRCLK
- SDIN is sampled at the rising edge of SCLK.
- If LRCLK phase changes by more than 10 MCLKs, then the chip automatically resets.

### 2.8.2 IIS Compatible Serial Format ( for 16-, 20-, 24-bits)



**Figure 2–7. IIS Compatible Serial Format**

Note the following characteristics of this protocol.



- Left channel is received when LRCLK is low.
- Right channel is received when LRCLK is high.
- SDIN is sampled with the rising edge of SCLK.

### 2.8.3 MSB Left Justified Serial Interface Format (for 16 bits)

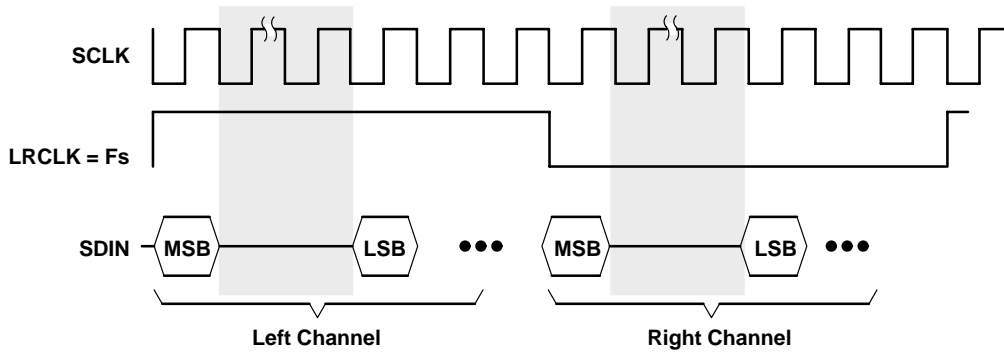


Figure 2–8. MSB Left Justified Serial Interface Format

Note the following characteristics of this protocol.

- Left channel is received when LRCLK is high.
- Right channel is received when LRCLK is low.
- The SDIN data is justified to the leading edge of the LRCLK.
- SDIN is sampled with the rising edge of SCLK.

### 2.8.4 DSP Compatible Serial Interface Format (for 16 bits)

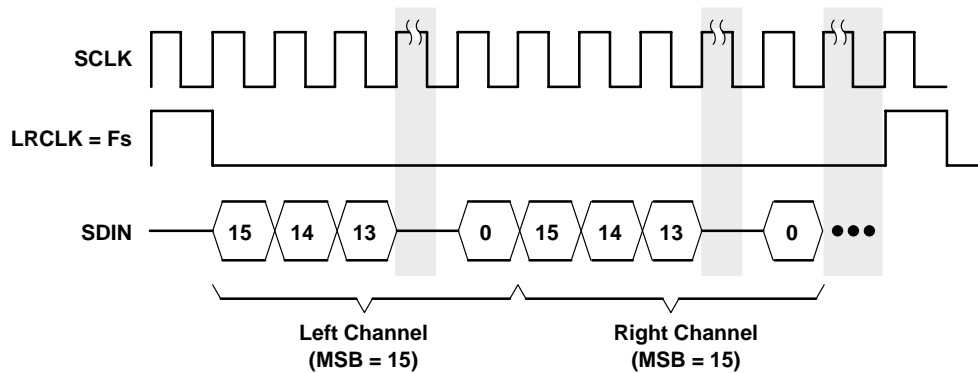


Figure 2–9. DSP Compatible Serial Interface Format

Note the following characteristics of this protocol.

- Serial data is sampled with the falling edge of SCLK.

## 2.9 PWM Outputs

Designed to be used with TAS5100.

## 3 Electrical Specifications

### 3.1 Absolute Maximum Ratings†

Analog supply voltage range, AV <sub>DD1</sub> , AV <sub>DD2</sub> )	−0.3 V to 4.2 V
Digital power supply voltage, DV <sub>DD1</sub> , DV <sub>DD2</sub> , DV <sub>DD3_L</sub> , DV <sub>DD3_R</sub>	−0.3 V to 4.2 V
Digital input voltage, V <sub>I</sub> (see Note 1)	−0.3 V to DV <sub>DDX</sub> +0.3 V
Operating free-air temperature, T <sub>A</sub>	0°C to 70°C
Storage temperature, T <sub>stg</sub>	−65°C to 150°C
ESD	2000 V

† Stresses beyond those listed under “absolute maximum ratings” may cause permanent damage to the device. These are stress ratings only and functional operation of the device at these or any other conditions beyond those indicated under “recommended operating conditions” is not implied. Exposure to absolute-maximum-rated conditions for extended periods may affect device reliability.

NOTES: 1. DV<sub>DD1</sub>, DV<sub>DD2</sub>, DV<sub>DD3\_L</sub>, DV<sub>DD3\_R</sub>

### 3.2 Recommended Operating Conditions

(T<sub>A</sub> = 25°C; DV<sub>DD1</sub> = DV<sub>DD2</sub> = DV<sub>DD3\_L</sub> = DV<sub>DD3\_R</sub> = 3.3 V ±10%, AV<sub>DD1</sub> = AV<sub>DD2</sub> = 3.3 V ±10%, F<sub>s</sub> = 44.1 kHz)  
 Voltages at analog inputs and outputs are with respect to ground

			MIN	TYP	MAX	UNIT
Supply voltage	Digital	DV <sub>DDX</sub> ‡	3	3.3	3.6	V
Supply current	Digital	Operating		18		mA
		Power down§		2	20	µA
Power dissipation	Digital	Operating		59.4		mW
		Power down§		6.6	72	µW
Supply voltage	Analog	AV <sub>DDX</sub> ¶	3	3.3	3.6	V
Supply current	Analog	Operating		8		mA
		Power down§		10	100	µA
Power dissipation	Analog	Operating		26.4		mW
		Power down§		33	360	µW

‡ DV<sub>DD1</sub>, DV<sub>DD2</sub>, DV<sub>DD3\_L</sub>, DV<sub>DD3\_R</sub>

§ If the clocks are turned off

¶ AV<sub>DD1</sub>, AV<sub>DD2</sub>

### 3.3 Electrical Characteristics

#### 3.3.1 Static Digital Specifications

( $T_A = 25^\circ\text{C}$ ;  $DV_{DD1} = DV_{DD2} = DV_{DD3\_L} = DV_{DD3\_R} = 3.3\text{ V} \pm 10\%$ ,  $AV_{DD1} = AV_{DD2} = 3.3\text{ V} \pm 10\%$ )

	MIN	MAX	UNIT
$V_{IH}$ High-level input voltage	2	$DV_{DD1}$	V
$V_{IL}$ Low-level input voltage	0	0.8	V
$V_{OH}$ High-level output voltage, ( $I_O = -1\text{ mA}$ )	2.4		V
$V_{OL}$ Low-level output voltage, ( $I_O = 4\text{ mA}$ )		0.4	V
Input leakage current	-10	10	$\mu\text{A}$

#### 3.3.2 Digital Interpolation Filter and PWM Modulator

( $T_A = 25^\circ\text{C}$ ;  $DV_{DD1} = DV_{DD2} = DV_{DD3\_L} = DV_{DD3\_R} = 3.3\text{ V} \pm 10\%$ ,  $AV_{DD1} = AV_{DD2} = 3.3\text{ V} \pm 10\%$ ,  $F_s = 44.1\text{ kHz}$ )  
All the terms characterized by frequency will scale with the normal mode sampling frequency,  $F_s$ .

	MIN	TYP	MAX	UNIT
Pass band	0		20	kHz
Pass band ripple		$\pm 0.012$		dB
Stop band			24.1	kHz
Stop band attenuation (24.1 kHz to 152.3 kHz)	50			dB
Group delay		700		$\mu\text{S}$
PWM modulation index (gain)		0.93		

#### 3.3.3 TAS5000/TAS5100 System Performance Measured at the Speaker Terminals

Reference section 4.4 in the TAS5100 Data Manual

### 3.4 Switching Characteristics

#### 3.4.1 Serial Audio Ports Slave Mode

( $T_A = 25^\circ\text{C}$ ,  $DV_{DD1} = DV_{DD2} = DV_{DD3\_L} = DV_{DD3\_R} = AV_{DD1} = AV_{DD2} = 3.3\text{ V} \pm 10\%$ )

PARAMETER	MIN	TYP	MAX	UNIT
$f(\text{SCLK})$ SCLK frequency			6.144	MHz
$t_{su}(\text{SDIN})$ SDIN setup time before SCLK rising edge	20			ns
$t_h(\text{SDIN})$ SDIN hold time from SCLK rising edge	10			ns
$F(\text{LRCLK})$ LRCLK frequency	44.1	48	96	kHz
MCLK duty cycle		50%		
SCLK duty cycle		50%		
LRCLK duty cycle		50%		
$t_{su}(\text{LRCLK})$ LRCLK edge setup before SCLK rising edge	20			ns

### 3.4.2 Serial Audio Ports Master Mode

Load conditions: 50pF

( $T_A = 25^\circ\text{C}$ ,  $DV_{DD1} = DV_{DD2} = DV_{DD3\_L} = DV_{DD3\_R} = AV_{DD1} = AV_{DD2} = 3.3\text{ V} \pm 10\%$ )

PARAMETER		MIN	TYP	MAX	UNIT
t(MSD)	MCLK to SCLK	0		5	ns
t(MLRD)	MLCK to LRCLK	0		5	ns
SCLK, LRCLK duty cycle			50%		

### 3.4.3 DSP Serial Interface Mode

( $T_A = 25^\circ\text{C}$ ,  $DV_{DD1} = DV_{DD2} = DV_{DD3\_L} = DV_{DD3\_R} = AV_{DD1} = AV_{DD2} = 3.3\text{ V} \pm 10\%$ )

PARAMETER		MIN	TYP	MAX	UNIT
f(SCLK)	SCLK frequency			6.144	MHz
t <sub>W</sub> (FSHIGH)	Pulse duration, sync		$1/(64 \times f_S)$		ns
t <sub>su</sub> (SDIN), t <sub>su</sub> (LRCLK)	SDIN and LRCLK setup time before SCLK falling edge	20			ns
t <sub>h</sub> (SDIN), t <sub>h</sub> (LRCLK)	SDIN and LRCLK hold time from SCLK falling edge	10			ns
SCLK duty cycle			50%		



## 4 Parameter Measurement Information

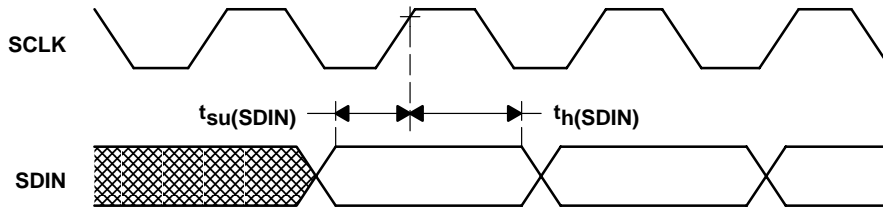
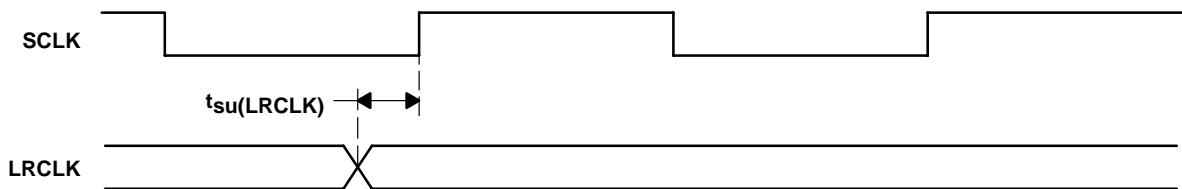


Figure 4–1. Right Justified, IIS, Left Justified Serial Protocol Timing



NOTE: Serial data is sampled with the rising edge of SCLK (setup time = 20 ns and hold time = 10 ns)

Figure 4–2. Right, Left, and IIS Serial Mode Timing Requirement

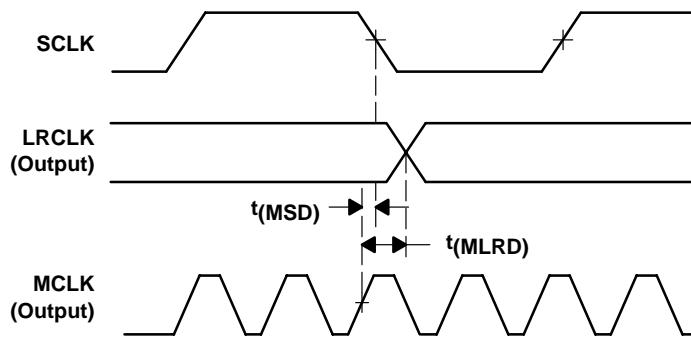


Figure 4–3. Serial Audio Ports Master Mode Timing

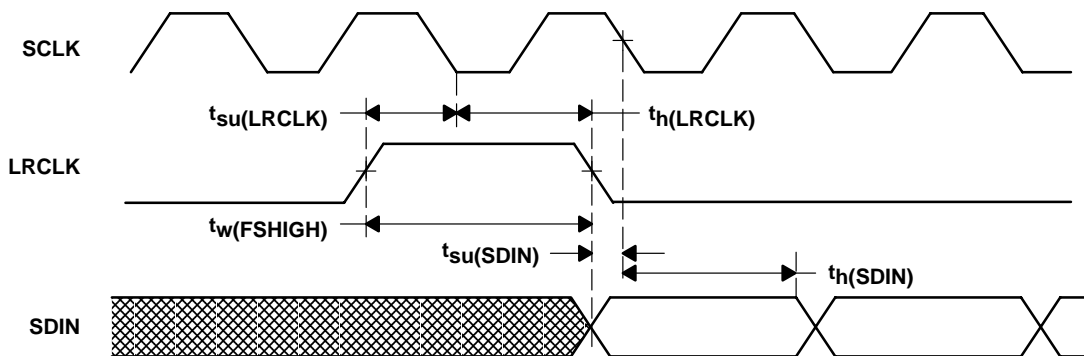
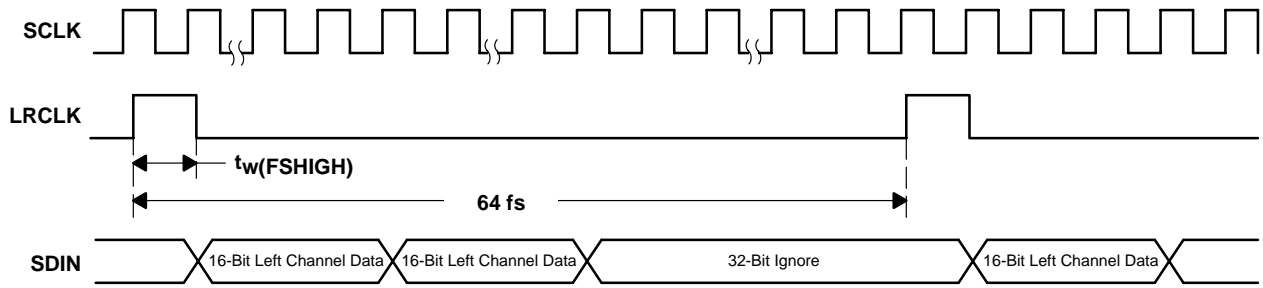
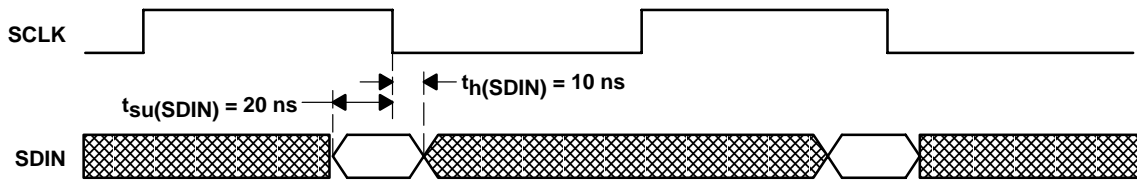


Figure 4–4. DSP Serial Port Timing



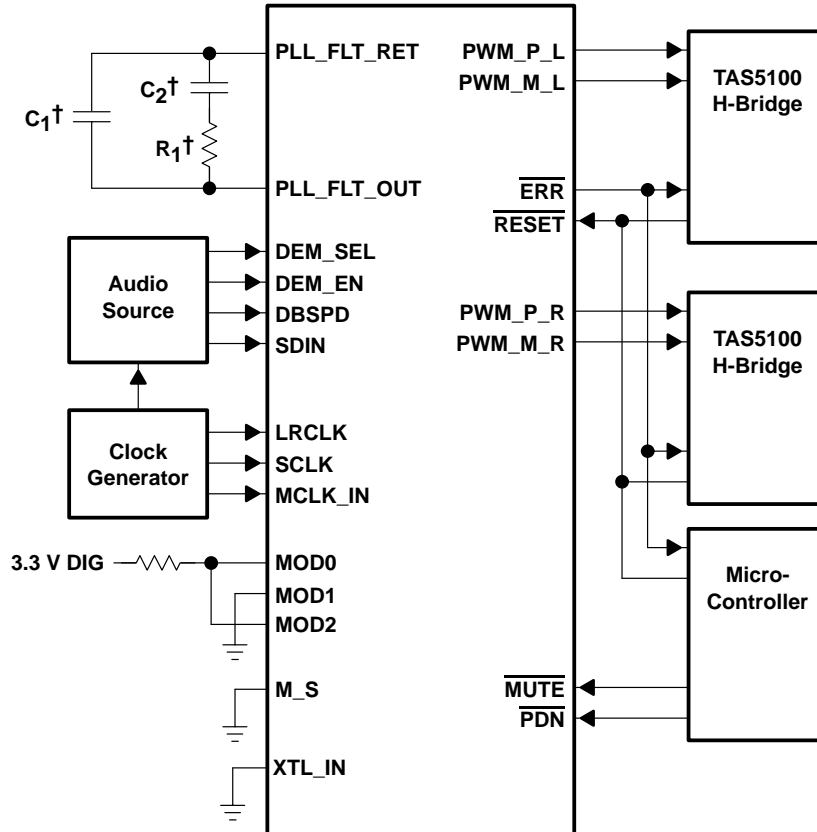
**Figure 4–5. DSP Serial Port Expanded Timing**



NOTE: Serial data is sampled with the falling edge of SCLK (setup time = 20 ns and hold time = 10 ns)

**Figure 4–6. DSP Absolute Timing Requirement**

## 5 Application Information



† See application note for values

Figure 5–1. Connection Diagram, Slave Mode (typical)





**PACKAGING INFORMATION**

Orderable Device	Status <sup>(1)</sup>	Package Type	Package Drawing	Pins	Package Qty	Eco Plan <sup>(2)</sup>	Lead/Ball Finish	MSL Peak Temp <sup>(3)</sup>
TAS5000PFB	NRND	TQFP	PFB	48	250	Green (RoHS & no Sb/Br)	CU NIPDAU	Level-2-260C-1 YEAR
TAS5000PFBG4	NRND	TQFP	PFB	48	250	Green (RoHS & no Sb/Br)	CU NIPDAU	Level-2-260C-1 YEAR

<sup>(1)</sup> The marketing status values are defined as follows:

**ACTIVE:** Product device recommended for new designs.

**LIFEBUY:** TI has announced that the device will be discontinued, and a lifetime-buy period is in effect.

**NRND:** Not recommended for new designs. Device is in production to support existing customers, but TI does not recommend using this part in a new design.

**PREVIEW:** Device has been announced but is not in production. Samples may or may not be available.

**OBsolete:** TI has discontinued the production of the device.

<sup>(2)</sup> Eco Plan - The planned eco-friendly classification: Pb-Free (RoHS), Pb-Free (RoHS Exempt), or Green (RoHS & no Sb/Br) - please check <http://www.ti.com/productcontent> for the latest availability information and additional product content details.

**TBD:** The Pb-Free/Green conversion plan has not been defined.

**Pb-Free (RoHS):** TI's terms "Lead-Free" or "Pb-Free" mean semiconductor products that are compatible with the current RoHS requirements for all 6 substances, including the requirement that lead not exceed 0.1% by weight in homogeneous materials. Where designed to be soldered at high temperatures, TI Pb-Free products are suitable for use in specified lead-free processes.

**Pb-Free (RoHS Exempt):** This component has a RoHS exemption for either 1) lead-based flip-chip solder bumps used between the die and package, or 2) lead-based die adhesive used between the die and leadframe. The component is otherwise considered Pb-Free (RoHS compatible) as defined above.

**Green (RoHS & no Sb/Br):** TI defines "Green" to mean Pb-Free (RoHS compatible), and free of Bromine (Br) and Antimony (Sb) based flame retardants (Br or Sb do not exceed 0.1% by weight in homogeneous material)

<sup>(3)</sup> MSL, Peak Temp. -- The Moisture Sensitivity Level rating according to the JEDEC industry standard classifications, and peak solder temperature.

**Important Information and Disclaimer:**The information provided on this page represents TI's knowledge and belief as of the date that it is provided. TI bases its knowledge and belief on information provided by third parties, and makes no representation or warranty as to the accuracy of such information. Efforts are underway to better integrate information from third parties. TI has taken and continues to take reasonable steps to provide representative and accurate information but may not have conducted destructive testing or chemical analysis on incoming materials and chemicals. TI and TI suppliers consider certain information to be proprietary, and thus CAS numbers and other limited information may not be available for release.

In no event shall TI's liability arising out of such information exceed the total purchase price of the TI part(s) at issue in this document sold by TI to Customer on an annual basis.