

## 阅读申明

- 1.本站收集的数据手册和产品资料都来自互联网，版权归原作者所有。如读者和版权方有任何异议请及时告之，我们将妥善解决。
- 2.本站提供的中文数据手册是英文数据手册的中文翻译，其目的是协助用户阅读，该译文无法自动跟随原稿更新，同时也可能存在翻译上的不当。建议读者以英文原稿为参考以便获得更精准的信息。
- 3.本站提供的产品资料，来自厂商的技术支持或者使用者的心得体会等，其内容可能存在描述上的差异，建议读者做出适当判断。
- 4.如需与我们联系，请发邮件到marketing@iczoom.com，主题请标有“数据手册”字样。

## Read Statement

1. The datasheets and other product information on the site are all from network reference or other public materials, and the copyright belongs to the original author and original published source. If readers and copyright owners have any objections, please contact us and we will deal with it in a timely manner.
2. The Chinese datasheets provided on the website is a Chinese translation of the English datasheets. Its purpose is for reader's learning exchange only and do not involve commercial purposes. The translation cannot be automatically updated with the original manuscript, and there may also be improper translations. Readers are advised to use the English manuscript as a reference for more accurate information.
3. All product information provided on the website refer to solutions from manufacturers' technical support or users the contents may have differences in description, and readers are advised to take the original article as the standard.
4. If you have any questions, please contact us at marketing@iczoom.com and mark the subject with "Datasheets" .



## 3.3V SDRAM Buffer for Mobile PCs with 4 SO-DIMMs

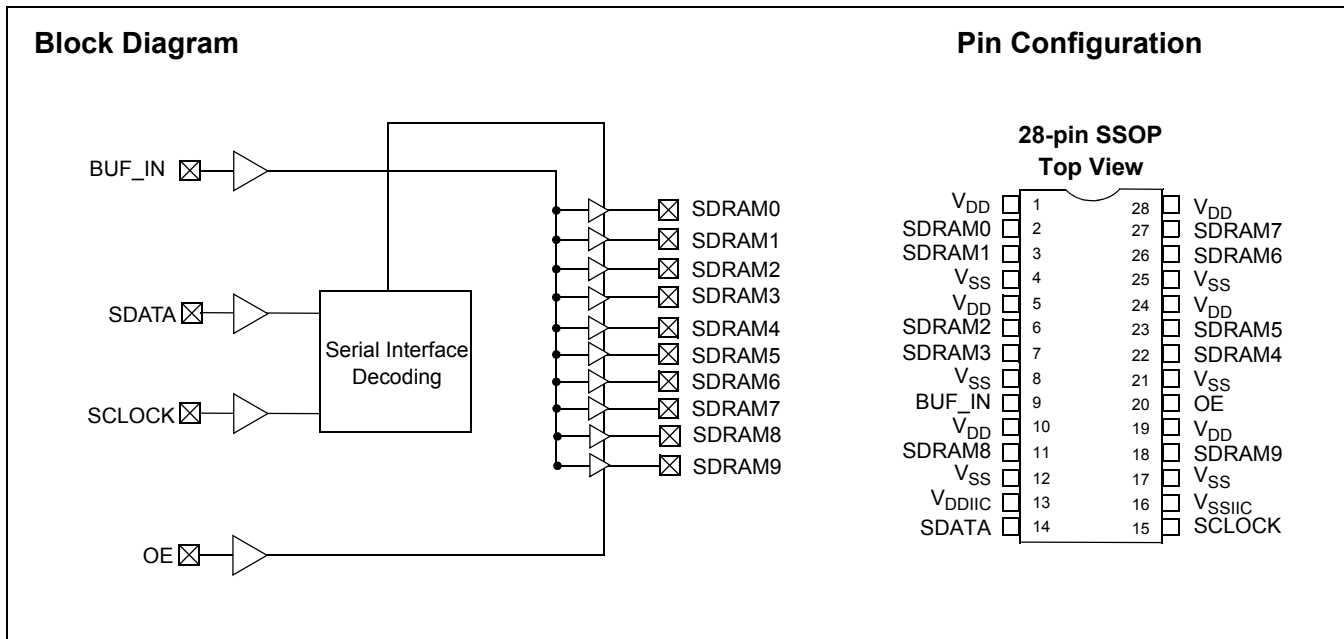
### Features

- One input to 10 output buffer/driver
- Supports up to four SDRAM SO-DIMMs
- Two additional outputs for feedback
- Serial interface for output control
- Low skew outputs
- Up to 100-MHz operation
- Multiple  $V_{DD}$  and  $V_{SS}$  pins for noise reduction
- Dedicated OE pin for testing
- Space-saving 28-pin SSOP package
- 3.3V operation

### Functional Description

The CY2310ANZ is a 3.3V buffer designed to distribute high-speed clocks in mobile PC applications. The part has 10 outputs, 8 of which can be used to drive up to four SDRAM SO-DIMMs, and the remaining can be used for external feedback to a PLL. The device operates at 3.3V and outputs can run up to 100 MHz, thus making it compatible with Pentium II® processors. The CY2310ANZ can be used in conjunction with the CY2281 or similar clock synthesizer for a full Pentium II motherboard solution.

The CY2310ANZ also includes a serial interface which can enable or disable each output clock. On power-up, all output clocks are enabled. A separate Output Enable pin facilitates testing on ATE.



**Pin Summary**

Name	Pins	Description
V <sub>DD</sub>	1, 5, 10, 19, 24, 28	3.3V Digital voltage supply
V <sub>SS</sub>	4, 8, 12, 17, 21, 25	Ground
V <sub>DDIIC</sub>	13	Serial interface voltage supply
V <sub>SSIIC</sub>	16	Ground for serial interface
BUF_IN	9	Input clock
OE	20	Output Enable, three-states outputs when LOW. Internal pull-up to V <sub>DD</sub>
SDATA	14	Serial data input, internal pull-up to V <sub>DD</sub>
SCLK	15	Serial clock input, internal pull-up to V <sub>DD</sub>
SDRAM [0–3]	2, 3, 6, 7	SDRAM byte 0 clock outputs
SDRAM [4–7]	22, 23, 26, 27	SDRAM byte 1 clock outputs
SDRAM [8–9]	11, 18	SDRAM byte 2 clock outputs

**Device Functionality**

OE	SDRAM [0–17]
0	High-Z
1	1 x BUF_IN

**Serial Configuration Map**

- The Serial bits will be read by the clock driver in the following order:

Byte 0 - Bits 7, 6, 5, 4, 3, 2, 1, 0

Byte 1 - Bits 7, 6, 5, 4, 3, 2, 1, 0

Byte N - Bits 7, 6, 5, 4, 3, 2, 1, 0

- Reserved and unused bits should be programmed to “0”.
- Serial interface address for the CY2310ANZ is:

A6	A5	A4	A3	A2	A1	A0	R/W
1	1	0	1	0	0	1	---

**Byte 0: SDRAM Active/Inactive Register  
(1 = Enable, 0 = Disable), Default = Enabled**

Bit	Pin #	Description
Bit 7	--	Initialize to 0
Bit 6	--	Initialize to 0
Bit 5	--	Initialize to 0
Bit 4	--	Initialize to 0
Bit 3	7	SDRAM3 (Active/Inactive)
Bit 2	6	SDRAM2 (Active/Inactive)
Bit 1	3	SDRAM1 (Active/Inactive)
Bit 0	2	SDRAM0 (Active/Inactive)

**Byte 1: SDRAM Active/Inactive Register  
(1 = Active, 0 = Inactive), Default = Active**

Bit	Pin #	Description
Bit 7	27	SDRAM7 (Active/Inactive)
Bit 6	26	SDRAM6 (Active/Inactive)
Bit 5	23	SDRAM5 (Active/Inactive)
Bit 4	22	SDRAM4 (Active/Inactive)
Bit 3	--	Initialize to 0
Bit 2	--	Initialize to 0
Bit 1	--	Initialize to 0
Bit 0	--	Initialize to 0

**Byte 2: SDRAM Active/Inactive Register  
(1 = Active, 0 = Inactive), Default = Active**

Bit	Pin #	Description
Bit 7	18	SDRAM9 (Active/Inactive)
Bit 6	11	SDRAM8 (Active/Inactive)
Bit 5	--	Reserved, drive to 0
Bit 4	--	Reserved, drive to 0
Bit 3	--	Reserved, drive to 0
Bit 2	--	Reserved, drive to 0
Bit 1	--	Reserved, drive to 0
Bit 0	--	Reserved, drive to 0

**Maximum Ratings**

Supply Voltage to Ground Potential .....	-0.5V to +7.0V	Storage Temperature .....	-65°C to +150°C
DC Input Voltage (Except BUF_IN).....	-0.5V to $V_{DD} + 0.5V$	Junction Temperature .....	150°C
DC Input Voltage (BUF_IN).....	-0.5V to +7.0V	Static Discharge Voltage (per MIL-STD-883, Method 3015) .....	>2000V

**Operating Conditions**

Parameter	Description	Min.	Max.	Unit
$V_{DD}$	Supply Voltage	3.135	3.465	V
$T_A$	Operating Temperature (Ambient Temperature)	0	70	°C
$C_L$	Load Capacitance	20	30	pF
$C_{IN}$	Input Capacitance		7	pF
$t_{PU}$	Power-up time for all $V_{DD}$ s to reach minimum specified voltage (power ramps must be monotonic)	0.05	50	ms

**Electrical Characteristics**

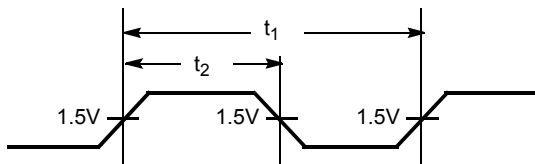
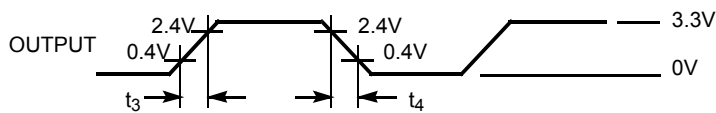
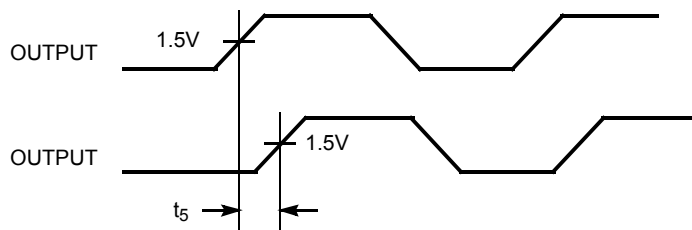
Parameter	Description	Test Conditions	Min.	Max.	Unit
$V_{IL}$	Input LOW Voltage <sup>[1]</sup>	Except serial interface pins		0.8	V
$V_{ILic}$	Input LOW Voltage	For serial interface pins only		0.7	V
$V_{IH}$	Input HIGH Voltage <sup>[1]</sup>		2.0		V
$I_{IL}$	Input LOW Current (BUF_IN input)	$V_{IN} = 0V$	-10	10	μA
$I_{IL}$	Input LOW Current (Except BUF_IN Pin)	$V_{IN} = 0V$		100	μA
$I_{IH}$	Input HIGH Current	$V_{IN} = V_{DD}$	-10	10	μA
$V_{OL}$	Output LOW Voltage <sup>[2]</sup>	$I_{OL} = 25\text{ mA}$		0.4	V
$V_{OH}$	Output HIGH Voltage <sup>[2]</sup>	$I_{OH} = -36\text{ mA}$	2.4		V
$I_{DD}$	Supply Current <sup>[2]</sup>	Unloaded outputs, 100-MHz		200	mA
$I_{DD}$	Supply Current	Loaded outputs, 100-MHz		360	mA
$I_{DD}$	Supply Current <sup>[2]</sup>	Unloaded outputs, 66.67-MHz		150	mA
$I_{DD}$	Supply Current	Loaded outputs, 66.67-MHz		230	mA
$I_{DDs}$	Supply Current	BUF_IN= $V_{DD}$ or $V_{SS}$ All other inputs at $V_{DD}$		500	μA

**Notes:**

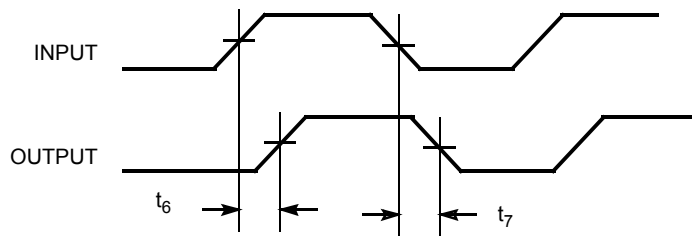
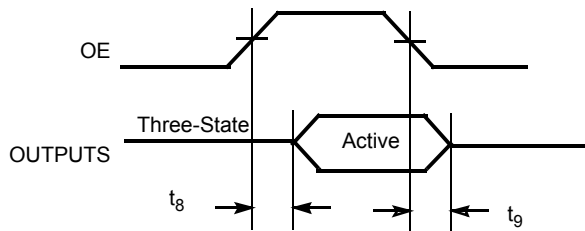
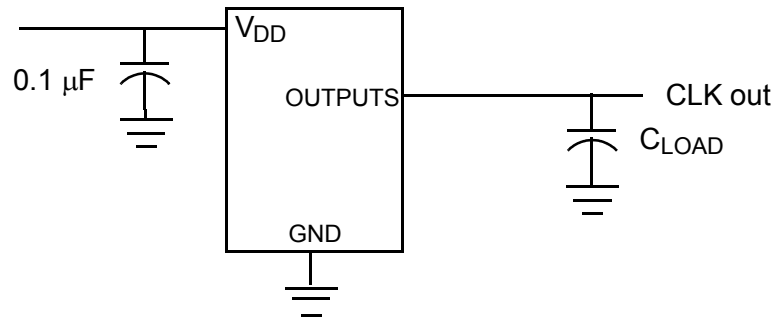
1. BUF\_IN input has a threshold voltage of  $V_{DD}/2$ .
2. Parameter is guaranteed by design and characterization. Not 100% tested in production.

**Switching Characteristics<sup>[3]</sup>**

Parameter	Name	Test Conditions	Min.	Typ.	Max.	Unit
	Maximum Operating Frequency				100	MHz
	Duty Cycle <sup>[2, 4]</sup> = $t_2 \div t_1$	Measured at 1.5V	45.0	50.0	55.0	%
$t_3$	Rising Edge Rate <sup>[2]</sup>	Measured between 0.4V and 2.4V	0.9	1.5	4.0	V/ns
$t_4$	Falling Edge Rate <sup>[2]</sup>	Measured between 2.4V and 0.4V	0.9	1.5	4.0	V/ns
$t_5$	Output to Output Skew <sup>[2]</sup>	All outputs equally loaded		150	250	ps
$t_6$	SDRAM Buffer LH Prop. Delay <sup>[2]</sup>	Input edge greater than 1 V/ns	1.0	3.5	5.0	ns
$t_7$	SDRAM Buffer HL Prop. Delay <sup>[2]</sup>	Input edge greater than 1 V/ns	1.0	3.5	5.0	ns
$t_8$	SDRAM Buffer Enable Delay <sup>[2]</sup>	Input edge greater than 1 V/ns	1.0	5	12	ns
$t_9$	SDRAM Buffer Disable Delay <sup>[2]</sup>	Input edge greater than 1 V/ns	1.0	20	30	ns

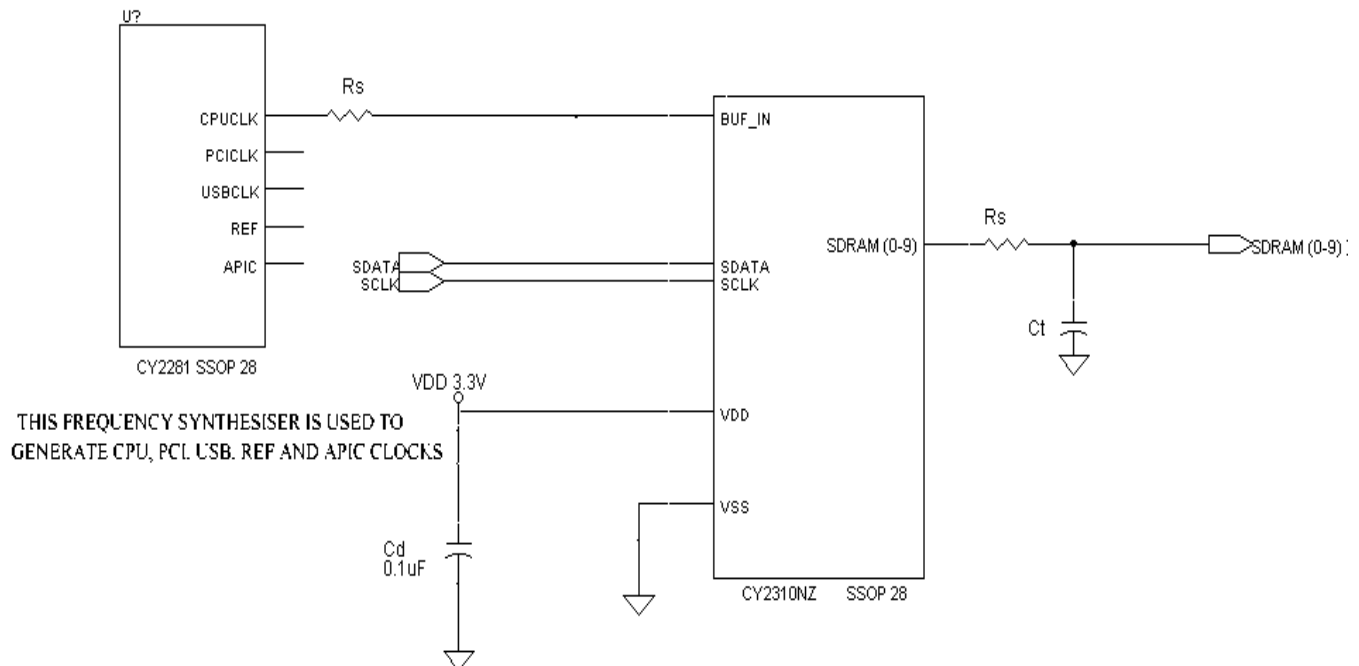
**Switching Waveforms**
**Duty Cycle Timing**

**All Outputs Rise/Fall Time**

**Output-Output Skew**

**Notes:**

3. All parameters specified with loaded outputs.
4. Duty cycle of input clock is 50%. Rising and falling edge rate is greater than 1V/ns

**Switching Waveforms (continued)**
**SDRAM Buffer LH and HL Propagation Delay**

**SDRAM Buffer Enable and Disable Times**

**Test Circuit**


## Application Information

Clock traces must be terminated with either series or parallel termination, as is normally done.



Cd = DECOUPLING CAPACITOR

Ct = OPTIONAL EMI-REDUCING CAPACITORS

Rs = SERIES TERMINATING RESISTORS

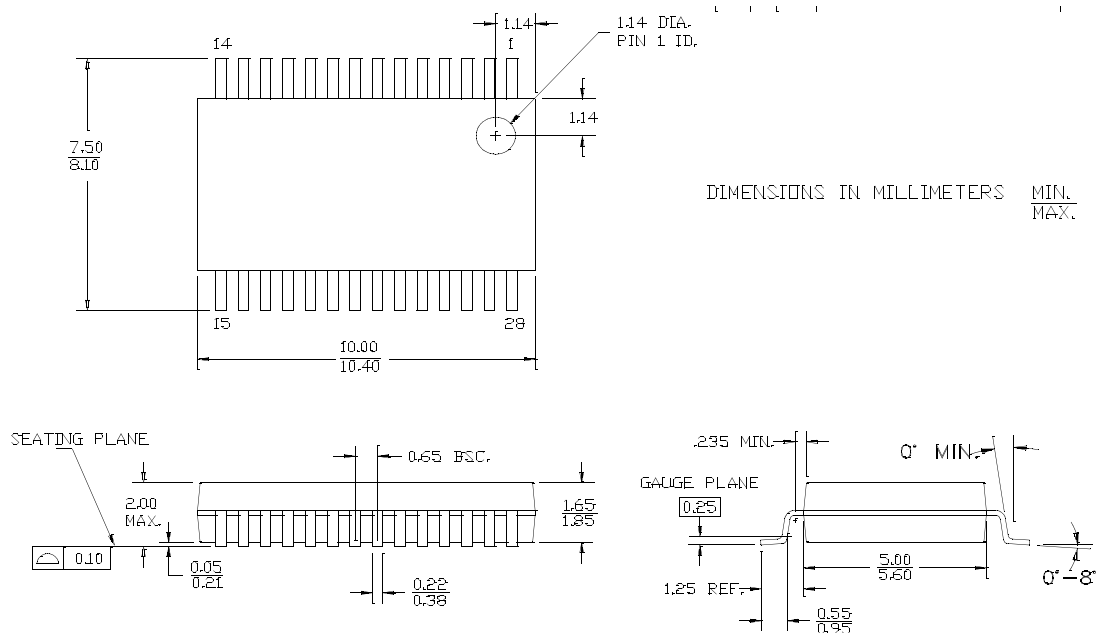
## Summary

- Surface mount, low-ESR, ceramic capacitors should be used for filtering. Typically, these capacitors have a value of 0.1  $\mu$ F. In some cases, smaller value capacitors may be required.
- The value of the series terminating resistor satisfies the following equation, where  $R_{trace}$  is the loaded characteristic impedance of the trace,  $R_{out}$  is the output impedance of the buffer (typically 25 $\Omega$ ), and  $R_{series}$  is the series terminating resistor.  

$$R_{series} > R_{trace} - R_{out}$$
- Footprints must be laid out for optional EMI-reducing capacitors, which should be placed as close to the terminating resistor as is physically possible. Typical values of these capacitors range from 4.7 pF to 22 pF.
- A Ferrite Bead **may** be used to isolate the Board  $V_{DD}$  from the clock generator  $V_{DD}$  island. Ensure that the Ferrite Bead offers greater than 50 $\Omega$  impedance at the clock frequency, under loaded DC conditions. Please refer to the application note "Layout and Termination Techniques for Cypress Clock Generators" for more details.
- If a Ferrite Bead is used, a 10  $\mu$ F–22  $\mu$ F tantalum bypass capacitor should be placed close to the Ferrite Bead. This capacitor prevents power supply droop during current surges.

**Ordering Information**

Ordering Code	Package Type	Operating Range
<b>Standard</b>		
CY2310ANZPVC-1	28-pin SSOP	Commercial
CY2310ANZPVC-1T	28-pin SSOP - Tape and Reel	Commercial
<b>Lead-free</b>		
CY2310ANZPVXC-1	28-pin SSOP	Commercial
CY2310ANZPVXC-1T	28-pin SSOP - Tape and Reel	Commercial

**Package Diagram**
**28-Lead (5.3 mm) Shrunken Small Outline Package O28**


51-85079-°C

Pentium II is a registered trademark of Intel Corporation. All products and company names mentioned in this document may be the trademarks of their respective holders.



**Document History Page**

<b>Document Title: CY2310ANZ 3.3V SDRAM Buffer for Mobile PCs with 4 SO-DIMMs</b>				
<b>Document Number: 38-07142</b>				
<b>REV.</b>	<b>ECN NO.</b>	<b>Issue Date</b>	<b>Orig. of Change</b>	<b>Description of Change</b>
**	110251	11/18/01	DSG	Change from Spec number: 38-00659 to 38-07142
*A	121829	12/14/02	RBI	Power up requirements added to Operating Conditions Information
*B	310555	See ECN	RGL	Added Lead-free Devices