

阅读申明

- 1.本站收集的数据手册和产品资料都来自互联网，版权归原作者所有。如读者和版权方有任何异议请及时告之，我们将妥善解决。
- 2.本站提供的中文数据手册是英文数据手册的中文翻译，其目的是协助用户阅读，该译文无法自动跟随原稿更新，同时也可能存在翻译上的不当。建议读者以英文原稿为参考以便获得更精准的信息。
- 3.本站提供的产品资料，来自厂商的技术支持或者使用者的心得体会等，其内容可能存在描述上的差异，建议读者做出适当判断。
- 4.如需与我们联系，请发邮件到marketing@iczoom.com，主题请标有“数据手册”字样。

Read Statement

1. The datasheets and other product information on the site are all from network reference or other public materials, and the copyright belongs to the original author and original published source. If readers and copyright owners have any objections, please contact us and we will deal with it in a timely manner.
2. The Chinese datasheets provided on the website is a Chinese translation of the English datasheets. Its purpose is for reader's learning exchange only and do not involve commercial purposes. The translation cannot be automatically updated with the original manuscript, and there may also be improper translations. Readers are advised to use the English manuscript as a reference for more accurate information.
3. All product information provided on the website refer to solutions from manufacturers' technical support or users the contents may have differences in description, and readers are advised to take the original article as the standard.
4. If you have any questions, please contact us at marketing@iczoom.com and mark the subject with "Datasheets" .

13 Output, 3.3V SDRAM Buffer for Desktop PCs with 3 DIMMs

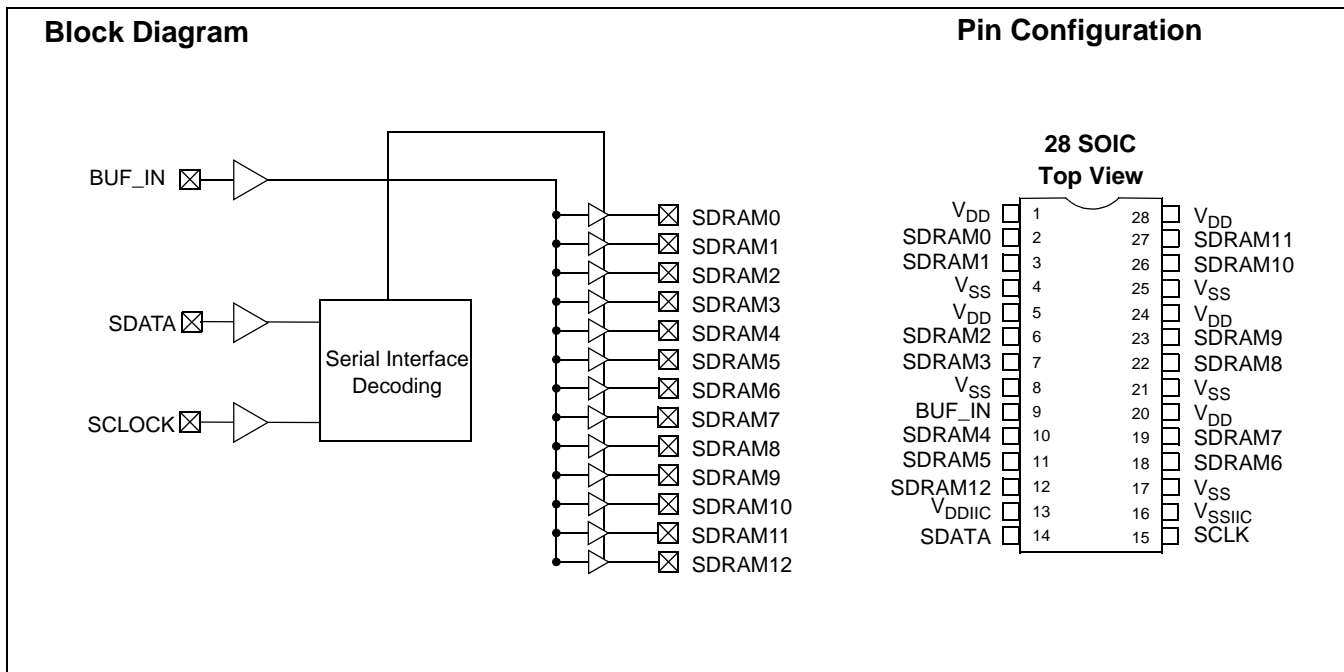
Features

- One input to 13 output buffer/driver
- Supports up to three SDRAM DIMMs
- One additional outputs for feedback
- Serial interface for output control
- Low skew outputs
- Up to 100-MHz operation
- Multiple V_{DD} and V_{SS} pins for noise reduction
- Low EMI outputs
- 28-pin SOIC (300-mil) package
- 3.3V operation

Functional Description

The CY2313ANZ is a 3.3V buffer designed to distribute high-speed clocks in desktop PC applications. The part has 13 outputs, 12 of which can be used to drive up to three SDRAM DIMMs, and the remaining can be used for external feedback to a PLL. The device operates at 3.3V and outputs can run up to 100 MHz, thus making it compatible with Pentium® II processors. The CY2313ANZ can be used in conjunction with the CY2280, CY2281, CY2282 or similar clock synthesizer for a complete Pentium II motherboard solution.

The CY2313ANZ also includes a serial interface which can enable or disable each output clock. On power-up, all output clocks are enabled.



Pentium is a registered trademark of Intel Corporation.

Pin Summary

Name	Pins	Description
V _{DD}	1, 5, 20, 24, 28	3.3V Digital voltage supply
V _{SS}	4, 8, 17, 21, 25	Ground
V _{DDIIC}	13	Serial interface voltage supply
V _{SSIIC}	16	Ground for serial interface
BUF_IN	9	Input clock
SDATA	14	Serial data input, internal pull-up to V _{DD}
SCLK	15	Serial clock input, internal pull-up to V _{DD}
SDRAM [0-12]	2, 3, 6, 7, 10, 11, 12, 18, 19, 22, 23, 26, 27	SDRAM clock outputs

Serial Configuration Map

- The Serial bits will be read by the clock driver in the following order:
 - Byte 0 - Bits 7, 6, 5, 4, 3, 2, 1, 0
 - Byte 1 - Bits 7, 6, 5, 4, 3, 2, 1, 0
 - ...
 - Byte N - Bits 7, 6, 5, 4, 3, 2, 1, 0
- Reserved and unused bits should be programmed to "0"
- Serial interface address for the CY2313ANZ is:

A6	A5	A4	A3	A2	A1	A0	R/W
1	1	0	1	0	0	1	----

**Byte 0:SDRAM Active/Inactive Register
(1 = Enable, 0 = Disable), Default = Enabled**

Bit	Pin #	Description
Bit 7	11	SDRAM5 (Active/Inactive)
Bit 6	10	SDRAM4 (Active/Inactive)
Bit 5	--	Reserved, drive to 0
Bit 4	--	Reserved, drive to 0
Bit 3	7	SDRAM3 (Active/Inactive)
Bit 2	6	SDRAM2 (Active/Inactive)
Bit 1	3	SDRAM1 (Active/Inactive)
Bit 0	2	SDRAM0 (Active/Inactive)

**Byte 1: SDRAM Active/Inactive Register
(1 = Active, 0 = Inactive), Default = Active**

Bit	Pin #	Description
Bit 7	27	SDRAM11 (Active/Inactive)
Bit 6	26	SDRAM10 (Active/Inactive)
Bit 5	23	SDRAM9 (Active/Inactive)
Bit 4	22	SDRAM8 (Active/Inactive)
Bit 3	--	Reserved, drive to 0
Bit 2	--	Reserved, drive to 0
Bit 1	19	SDRAM7 (Active/Inactive)
Bit 0	18	SDRAM6 (Active/Inactive)

**Byte 2: SDRAM Active/Inactive Register
(1 = Active, 0 = Inactive), Default = Active**

Bit	Pin #	Description
Bit 7	--	Reserved, drive to 0
Bit 6	12	SDRAM12 (Active/Inactive)
Bit 5	--	Reserved, drive to 0
Bit 4	--	Reserved, drive to 0
Bit 3	--	Reserved, drive to 0
Bit 2	--	Reserved, drive to 0
Bit 1	--	Reserved, drive to 0
Bit 0	--	Reserved, drive to 0

Maximum Ratings

Supply Voltage to Ground Potential	-0.5V to +7.0V	Storage Temperature	-65°C to +150°C
DC Input Voltage (Except BUF_IN).....	-0.5V to $V_{DD} + 0.5V$	Junction Temperature.....	150°C
DC Input Voltage (BUF_IN).....	-0.5V to +7.0V	Static Discharge Voltage (per MIL-STD-883, Method 3015)	>2000V

Operating Conditions^[1]

Parameter	Description	Min.	Max.	Unit
V_{DD}	Supply Voltage	3.135	3.465	V
T_A	Operating Temperature (Ambient Temperature)	0	70	°C
C_L	Load Capacitance		30	pF
C_{IN}	Input Capacitance		7	pF
t_{PU}	Power-up time for all VDD's to reach minimum specified voltage (power ramps must be monotonic)	0.05	50	ms

Electrical Characteristics Over the Operating Range

Parameter	Description	Test Conditions	Min.	Max.	Unit
V_{IL}	Input LOW Voltage ^[2]	Except serial interface pins		0.8	V
V_{ILiic}	Input LOW Voltage	For serial interface pins only		0.7	V
V_{IH}	Input HIGH Voltage ^[2]		2.0		V
I_{IL}	Input LOW Current (BUF_IN input)	$V_{IN} = 0V$	-10	10	μA
I_{IL}	Input LOW Current (Except BUF_IN Pin)	$V_{IN} = 0V$		100	μA
I_{IH}	Input HIGH Current	$V_{IN} = V_{DD}$	-10	10	μA
V_{OL}	Output LOW Voltage ^[3]	$I_{OL} = 25\text{ mA}$		0.4	V
V_{OH}	Output HIGH Voltage ^[3]	$I_{OH} = -36\text{ mA}$	2.4		V
I_{DD}	Supply Current ^[3]	Unloaded outputs, 100 MHz		200	mA
I_{DD}	Supply Current ^[3]	Loaded outputs, 100 MHz		290	mA
I_{DD}	Supply Current ^[3]	Unloaded outputs, 66.67 MHz		150	mA
I_{DD}	Supply Current ^[3]	Loaded outputs, 66.67 MHz		185	mA
I_{DDS}	Supply Current	BUF_IN= V_{DD} or V_{SS} All other inputs at V_{DD}		500	μA

Notes:

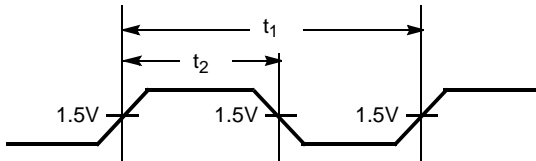
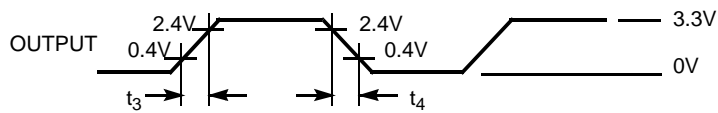
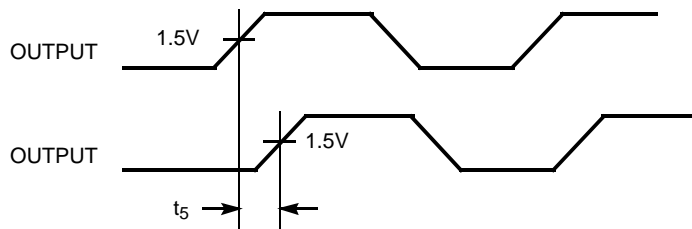
1. Electrical parameters are guaranteed under the operating conditions specified.
2. BUF_IN input has a threshold voltage of $V_{DD}/2$.
3. Parameter is guaranteed by design and characterization. Not 100% tested in production.

Switching Characteristics^[4] Over the Operating Range

Parameter	Name	Test Conditions	Min.	Typ.	Max.	Unit
	Maximum Operating Frequency				100	MHz
	Duty Cycle ^[3,5] = $t_2 \div t_1$	Measured at 1.5V	45.0	50.0	55.0	%
t_3	Rising Edge Rate ^[3]	Measured between 0.4V and 2.4V	0.9	1.5	4.0	V/ns
t_4	Falling Edge Rate ^[3]	Measured between 2.4V and 0.4V	0.9	1.5	4.0	V/ns
t_5	Output to Output Skew ^[3]	All outputs equally loaded	-250		+250	ps
t_6	SDRAM Buffer LH Prop. Delay ^[3]	Input edge greater than 1 V/ns	1.0	3.5	5.0	ns
t_7	SDRAM Buffer HL Prop. Delay ^[3]	Input edge greater than 1 V/ns	1.0	3.5	5.0	ns
t_8	SDRAM Buffer Enable Delay ^[3]	Input edge greater than 1 V/ns	1.0	5	12	ns
t_9	SDRAM Buffer Disable Delay ^[3]	Input edge greater than 1 V/ns	1.0	20	30	ns

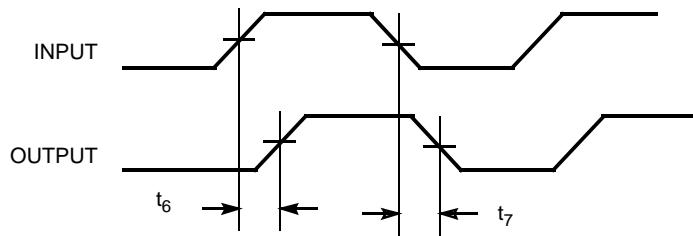
Notes:

4. All parameters specified with loaded outputs.
5. Duty cycle of input clock is 50%. Rising and falling edge rate of the input clock is greater than 1 V/ns.

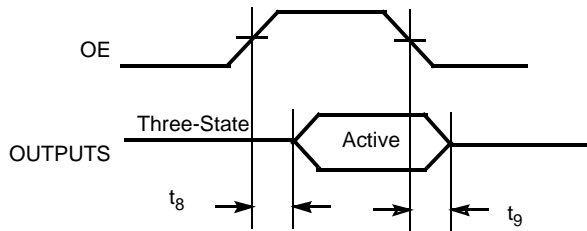
Switching Waveforms
Duty Cycle Timing

All Outputs Rise/Fall Time

Output-Output Skew


Switching Waveforms (continued)

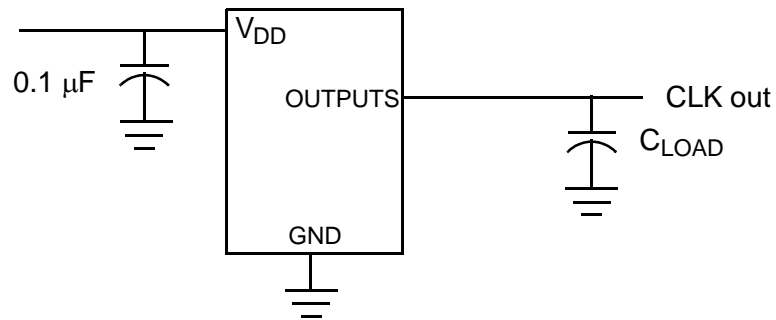
SDRAM Buffer LH and HL Propagation Delay



SDRAM Buffer Enable and Disable Times



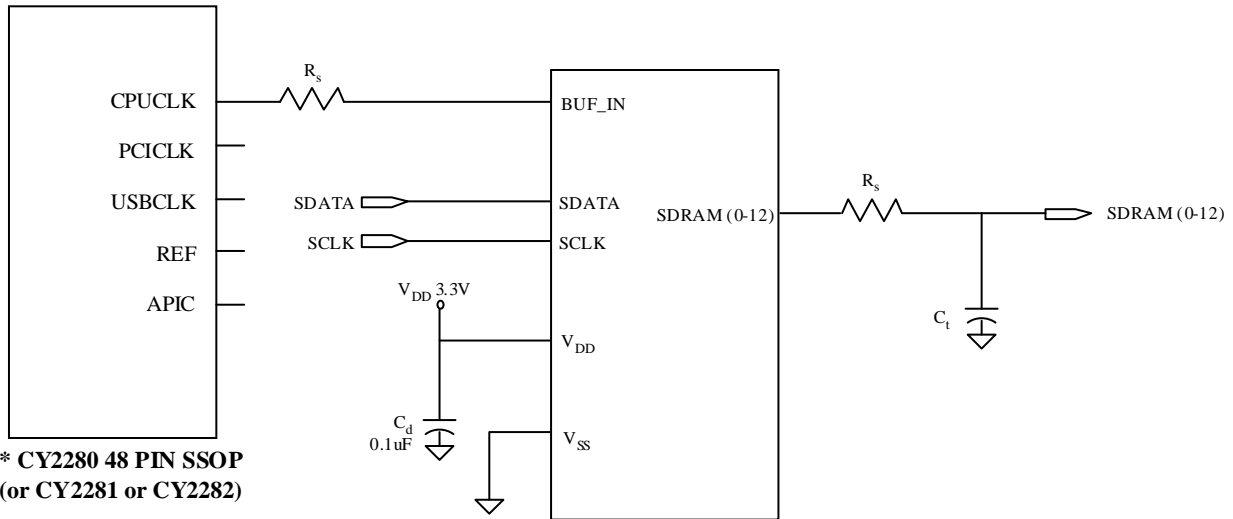
Test Circuit



Application Information

Clock traces must be terminated with either series or parallel termination, as is normally done.

Application Circuit



* CY2280 48 PIN SSOP
(or CY2281 or CY2282)

CY2313A: 28-PIN SOIC

* THIS FREQUENCY SYNTHESIZER IS USED TO GENERATE CPU, PCI, USB, REF, AND APIC CLOCKS.

C_d = DECOUPLING CAPACITORS
 C_t = OPTIONAL EMI-REDUCING CAPACITORS
 R_s = SERIES TERMINATING RESISTORS

Summary

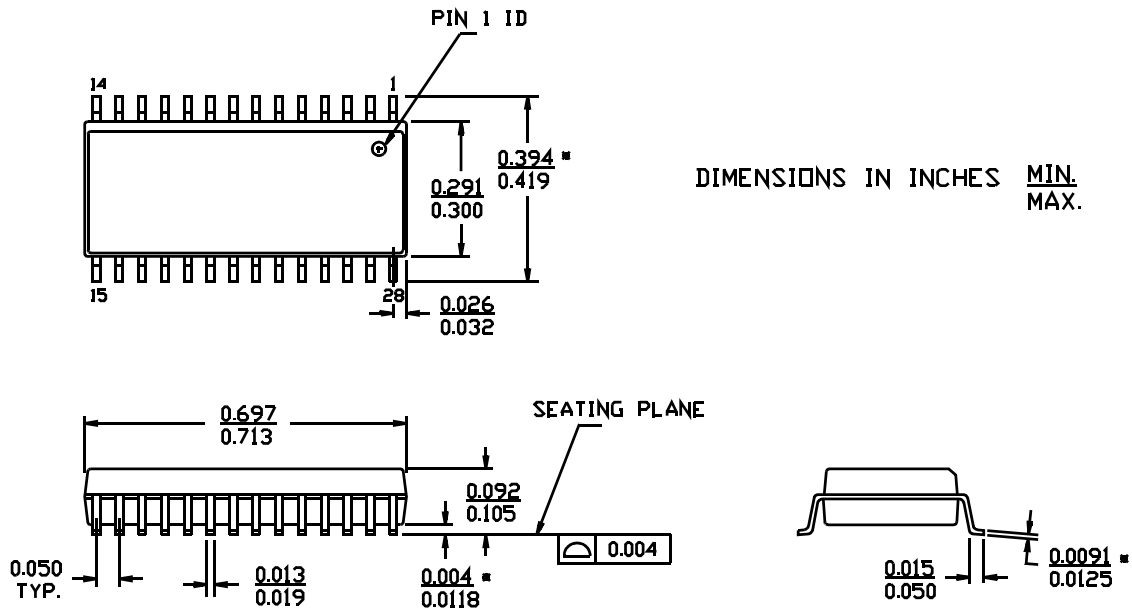
- Surface mount, low-ESR, ceramic capacitors should be used for filtering. Typically, these capacitors have a value of 0.1 μ F. In some cases, smaller value capacitors may be required.
- The value of the series terminating resistor satisfies the following equation, where R_{trace} is the loaded characteristic impedance of the trace, R_{out} is the output impedance of the buffer (typically 25 Ω), and R_{series} is the series terminating resistor.
 $R_{series} > R_{trace} - R_{out}$
- Footprints must be laid out for optional EMI-reducing capacitors, which should be placed as close to the terminating resistor as is physically possible. Typical values of these capacitors range from 4.7 pF to 22 pF.
- A Ferrite Bead **may** be used to isolate the Board V_{DD} from the clock generator V_{DD} island. Ensure that the Ferrite Bead offers greater than 50 Ω impedance at the clock frequency, under loaded DC conditions. Please refer to the application note "Layout and Termination Techniques for Cypress Clock Generators" for more details.
- If a Ferrite Bead is used, a 10 μ F–22 μ F tantalum bypass capacitor should be placed close to the Ferrite Bead. This capacitor prevents power supply droop during current surges.

Ordering Information

Ordering Code	Package Name	Package Type	Operating Range
CY2313ANZSC-1	S21	28-Pin SOIC	Commercial
Pb-free			
CY2313ANZSXC-1	S21	28-Pin SOIC	Commercial
CY2313ANZSXC-1T	S21	28-Pin SOIC Tape and Reel	Commercial

Package Diagram

28-Lead (300-Mil) Molded SOIC S21



Document History Page

Document Title: CY2313ANZ 13 Output, 3.3V SDRAM Buffer for Desktop PCs with 3 DIMMs				
Document Number: 38-07144				
REV.	ECN NO.	Issue Date	Orig. of Change	Description of Change
**	110253	11/18/01	DSG	Change from Spec number: 38-00692 to 38-07144
*A	121831	12/14/02	RBI	Power up requirements added to Operating Conditions Information
*B	1244583	See ECN	DPF	Added Pb-free part numbers in the Ordering Information