

阅读申明

- 1.本站收集的数据手册和产品资料都来自互联网，版权归原作者所有。如读者和版权方有任何异议请及时告之，我们将妥善解决。
- 2.本站提供的中文数据手册是英文数据手册的中文翻译，其目的是协助用户阅读，该译文无法自动跟随原稿更新，同时也可能存在翻译上的不当。建议读者以英文原稿为参考以便获得更精准的信息。
- 3.本站提供的产品资料，来自厂商的技术支持或者使用者的心得体会等，其内容可能存在描述上的差异，建议读者做出适当判断。
- 4.如需与我们联系，请发邮件到marketing@iczoom.com，主题请标有“数据手册”字样。

Read Statement

1. The datasheets and other product information on the site are all from network reference or other public materials, and the copyright belongs to the original author and original published source. If readers and copyright owners have any objections, please contact us and we will deal with it in a timely manner.
2. The Chinese datasheets provided on the website is a Chinese translation of the English datasheets. Its purpose is for reader's learning exchange only and do not involve commercial purposes. The translation cannot be automatically updated with the original manuscript, and there may also be improper translations. Readers are advised to use the English manuscript as a reference for more accurate information.
3. All product information provided on the website refer to solutions from manufacturers' technical support or users the contents may have differences in description, and readers are advised to take the original article as the standard.
4. If you have any questions, please contact us at marketing@iczoom.com and mark the subject with "Datasheets" .



DDR Phase Lock Loop Clock Driver (60MHz - 220MHz)

Recommended Application:

1:2 DDRI Clock Driver

Product Description/Features:

- Low skew, low jitter PLL clock driver
- Feedback pins for input to output synchronization
- Spread Spectrum tolerant inputs
- With bypass mode mux
- Operating frequency 60 to 220 MHz

Switching Characteristics:

- CYCLE - CYCLE jitter: <75ps
- OUTPUT - OUTPUT skew: <60ps
- Period jitter: ±75ps
- Half-Period jitter: ±75ps

Pin Configuration

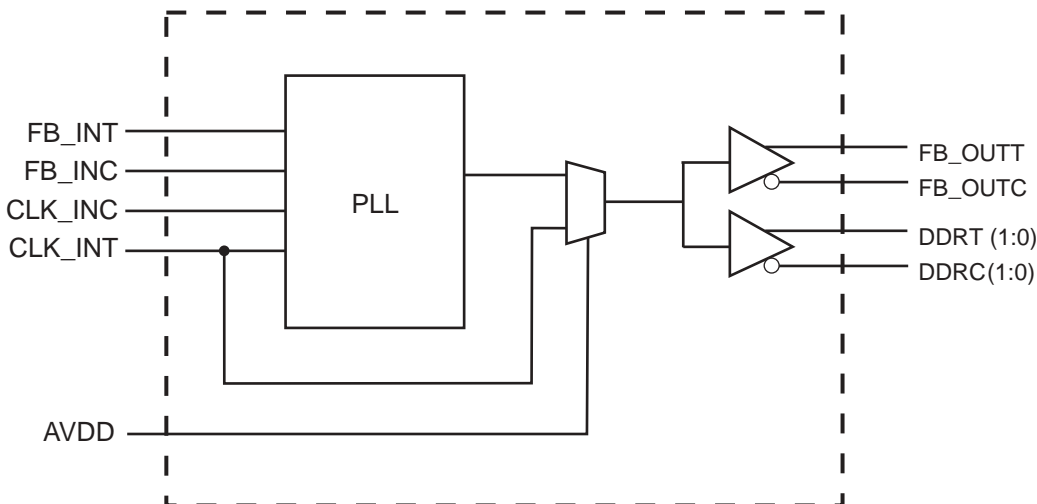
VDD2.5	1	ICS95V842	16	GND
DDRT0	2		15	DDRC1
DDRC0	3		14	DDRT1
GND	4		13	VDD2.5
CLK_INT	5		12	FB_INC
CLK_INC	6		11	FB_INT
AVDD	7		10	FB_OUTT
AGND	8		9	FB_OUTC

16 pin SSOP

Functionality

INPUTS			OUTPUTS				PLL State
AVDD	CLK_INT	CLK_INC	CLKT	CLKC	FB_OUTT	FB_OUTC	
GND	L	H	L	H	L	H	Bypassed/Off
GND	H	L	H	L	H	L	Bypassed/Off
2.5V (nom)	L	H	L	H	L	H	On
2.5V (nom)	H	L	H	L	H	L	On

Block Diagram





Pin Descriptions

PIN #	PIN NAME	PIN TYPE	DESCRIPTION
1	VDD2.5	PWR	Power supply, nominal 2.5V
2	DDRT0	OUT	"True" Clock of differential pair output.
3	DDRC0	OUT	"Complementary" Clock of differential pair output.
4	GND	PWR	Ground pin.
5	CLK_INT	IN	"True" reference clock input.
6	CLK_INC	IN	"Complementary" reference clock input.
7	AVDD	PWR	3.3V Analog Power pin for Core PLL
8	AGND	PWR	Analog Ground pin for Core PLL
9	FB_OUTC	OUT	Complement single-ended feedback output, dedicated external feedback. It switches at the same frequency as other DDR outputs, This output must be connect to FB_INC.
10	FB_OUTT	OUT	True single-ended feedback output, dedicated external feedback. It switches at the same frequency as other DDR outputs, This output must be connect to FB_INT.
11	FB_INT	IN	True single-ended feedback input, provides feedback signal to internal PLL for synchronization with CLK_INT to eliminate phase error.
12	FB_INC	IN	Complement single-ended feedback input, provides feedback signal to internal PLL for synchronization with CLK_INT to eliminate phase error.
13	VDD2.5	PWR	Power supply, nominal 2.5V
14	DDRT1	OUT	"True" Clock of differential pair output.
15	DDRC1	OUT	"Complementary" Clock of differential pair output.
16	GND	PWR	Ground pin.



Absolute Maximum Ratings

Supply Voltage: (VDD & AVDD) -0.5V to 3.6V
 Input clamp current: I_{IK} ($V_I < 0$ or $V_I > V_{DD}$) +/- 50mA
 Output clamp current: I_{OK} ($V_O < 0$ or $V_O > V_{DD}$) . . +/- 50mA
 Continuous output current: I_O ($V_O = 0$ to V_{DD}) +/- 50mA
 Package thermal impedance, theta JA: DGG package +89°C/Ω
 Storage Temperature -65°C to +150°C

Stresses above those listed under *Absolute Maximum Ratings* may cause permanent damage to the device. These ratings are stress specifications only and functional operation of the device at these or any other conditions above those listed in the operational sections of the specifications is not implied. Exposure to absolute maximum rating conditions for extended periods may affect product reliability.

Electrical Characteristics - Input/Supply/Common Output Parameters

TA = 0°C to +85°C; Supply Voltage AVDD, VDD = 2.5 V +/- 0.2V (unless otherwise stated)

PARAMETER	SYMBOL	CONDITIONS	MIN	TYP	MAX	UNITS
Input High Current	I_{IH}	$V_I = V_{DD}$ or GND	5			μA
Input Low Current	I_{IL}	$V_I = V_{DD}$ or GND			5	μA
Operating Supply Current	$I_{DD2.5}$	$C_L = 0pF, R_L = \infty\Omega$			160	mA
	I_{DDPD}	$C_L = 0pF, R_L = \infty\Omega$			100	μA
Output High Current	I_{OH}	$V_{DD} = 2.3V, V_{OUT} = 1V$	-18			mA
Output Low Current	I_{OL}	$V_{DD} = 2.3V, V_{OUT} = 1.2V$	26			mA
High Impedance Output Current	I_{OZ}	$V_{DD}=2.7V, V_{out}=V_{DD}$ or GND			±10	μA
Input Clamp Voltage	V_{IK}	$I_{in} = -18mA$			-1.2	V
High-level output voltage	V_{OH}	$V_{DD} = \text{min to max}, I_{OH} = -1 \text{ mA}$	$V_{DD} - 0.1$			V
		$V_{DD} = 2.3V, I_{OH} = -12 \text{ mA}$	1.7			V
Low-level output voltage	V_{OL}	$V_{DD} = \text{min to max}, I_{OL}=1 \text{ mA}$			0.1	
		$V_{DD} = 2.3V, I_{OH}=12 \text{ mA}$			0.6	V
Input Capacitance ¹	C_{IN}	$V_I = V_{DD}$ or GND		3		pF
Output Capacitance ¹	C_{OUT}	$V_I = V_{DD}$ or GND		3		pF

¹Guaranteed by design and characterization, not 100% tested in production.



DC Electrical Characteristics

$T_A = 0^\circ\text{C}$ to $+85^\circ\text{C}$; Supply Voltage AVDD, VDD = 2.5 V +/- 0.2V (unless otherwise stated)

PARAMETER	SYMBOL	CONDITIONS	MIN	TYP	MAX	UNITS
Supply Voltage	V_{DDQ}, A_{VDD}		2.3	2.5	2.7	V
Low level input voltage	V_{IL}	CLK_INT, CLK_INC, FB_INC, FB_INT		0.4	$V_{DD}/2 - 0.18$	V
High level input voltage	V_{IH}	CLK_INT, CLK_INC, FB_INC, FB_INT	$V_{DD}/2 + 0.18$	2.1		V
DC input signal voltage (note 1,2)	V_{IN}		-0.3		$V_{DD} + 0.3$	V
Differential input signal voltage (note 3)	V_{ID}	CLK_INT, CLK_INC, FB_INC, FB_INT	0.36		$V_{DD} + 0.6$	V
Differential output voltage (note 3)	V_{OD}	CLK_INT, CLK_INC, FB_INC, FB_INT	0.7		$V_{DD} + 0.6$	V
Output differential cross-voltage (note 4)	V_{OX}		$V_{DD}/2 - 0.15$		$V_{DD}/2 + 0.15$	V
Input differential cross-voltage (note 4)	V_{IX}		$V_{DD}/2 - 0.2$	$V_{DD}/2$	$V_{DD}/2 + 0.2$	V
Operating free-air temperature	T_A		0		85	$^\circ\text{C}$

Notes:

- 1 Unused inputs must be held high or low to prevent them from floating.
- 2 DC input signal voltage specifies the allowable DC excursion of differential input.
- 3 Differential input signal voltage specifies the differential voltage [VTR-VCP] required for switching, where VTR is the true input level and VCP is the complementary input level.
- 4 Differential cross-point voltage is expected to track variations of VDD and is the voltage at which the differential signal must be crossing.

Timing Requirements

$T_A = 0^\circ\text{C}$ to $+85^\circ\text{C}$; Supply Voltage AVDD, VDD = 2.5 V +/- 0.2V (unless otherwise stated)

PARAMETER	SYMBOL	CONDITIONS	MIN	MAX	UNITS
Max clock frequency ³	freq_{op}		33	233	MHz
Application Frequency Range ³	freq_{App}		60	220	MHz
Input clock duty cycle	d_{tin}		40	60	%
CLK stabilization	T_{STAB}			100	μs



Switching Characteristics

T_A = 0°C to +85°C; Supply Voltage AVDD, VDD = 2.5 V +/- 0.2V (unless otherwise stated)

PARAMETER	SYMBOL	CONDITION	MIN	TYP	MAX	UNITS	
Max clock frequency ³	freq _{op}		40		333	MHz	
Application Frequency Range ³	freq _{App}		60		220	MHz	
Input clock duty cycle	d _{tin}		40		60	%	
Input clock slew rate	t _{sl(l)}		1		2	v/ns	
CLK stabilization	T _{STAB}				100	μs	
Low-to-high level propagation delay time	t _{PLH} ¹	CLK_IN to any output			5.5	ns	
High-to-low level propagation delay time	t _{PHL} ¹	CLK_IN to any output			5.5	ns	
Output enable time	t _{en}	PD# to any output		5		ns	
Output disable time	t _{dis}	PD# to any output		5		ns	
Period jitter	t _{jit(per)}	Over the application frequency range	-75		75	ps	
Half-period jitter	t _{jit(hper)}		-75		75	ps	
Output clock slew rate	t _{sl(o)}		1		2.5	v/ns	
Cycle to Cycle Jitter	t _{cyc} -t _{cyc}		-75		75	ps	
Static Phase Offset	t _(spo)		-50		50	ps	
Output to Output Skew	t _{skew}			40		60	ps

Notes:

1. Refers to transition on noninverting output in PLL bypass mode.
2. While the pulse skew is almost constant over frequency, the duty cycle error increases at higher frequencies. This is due to the formula: duty cycle=twH/tc, were the cycle (tc) decreases as the frequency goes up.
3. Switching characteristics are guaranteed for application frequency range. The PLL Locks over the Max Clock Frequency range, but the device doe not necessarily meet other timing parameters.
4. Does not include jitter.



Parameter Measurement Information

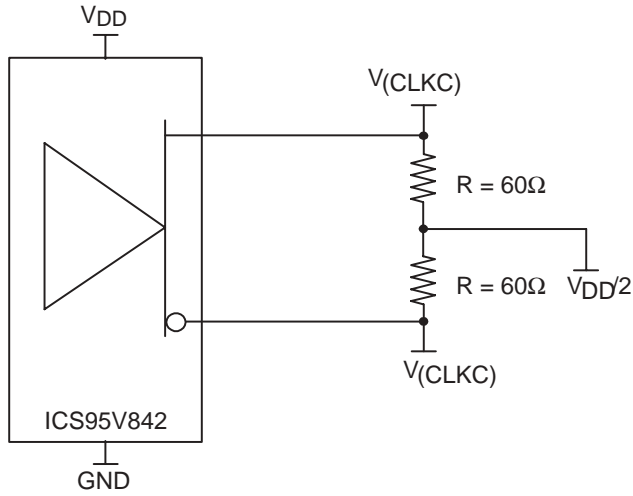


Figure 1. IBIS Model Output Load

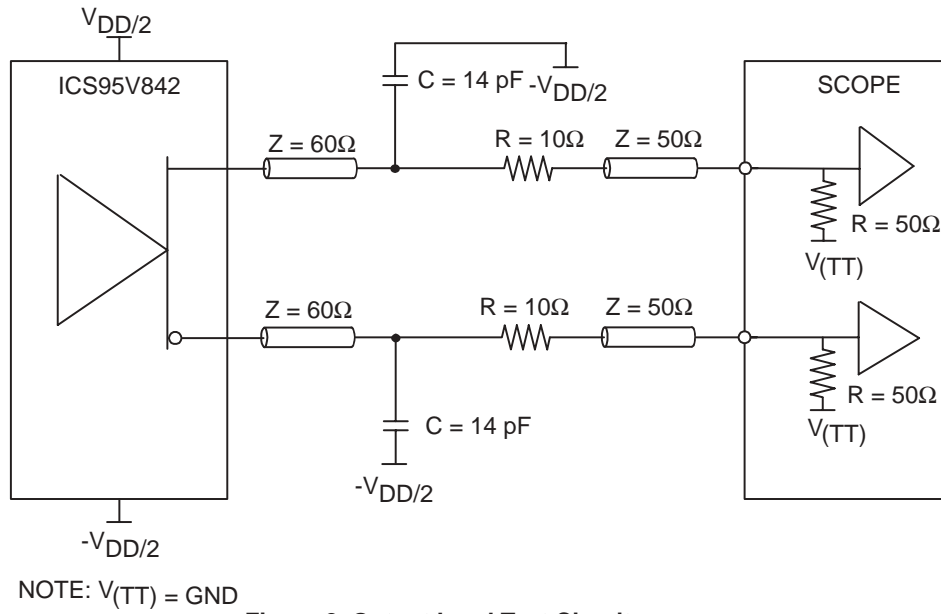


Figure 2. Output Load Test Circuit

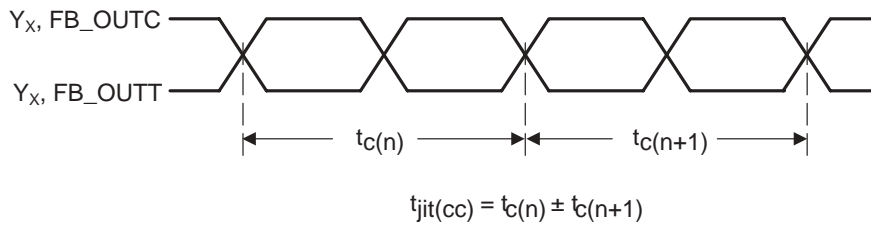


Figure 3. Cycle-to-Cycle Jitter



Parameter Measurement Information

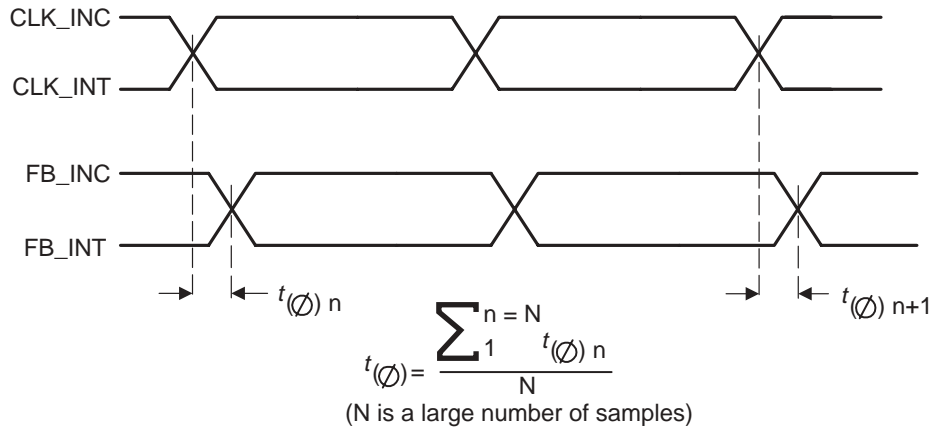


Figure 4. Static Phase Offset

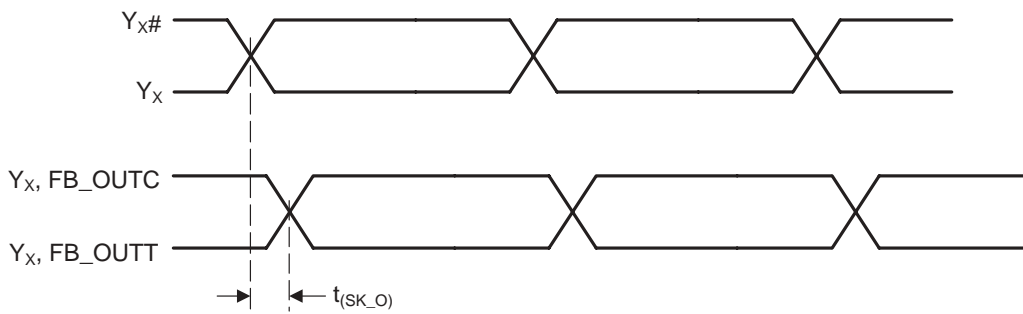


Figure 5. Output Skew

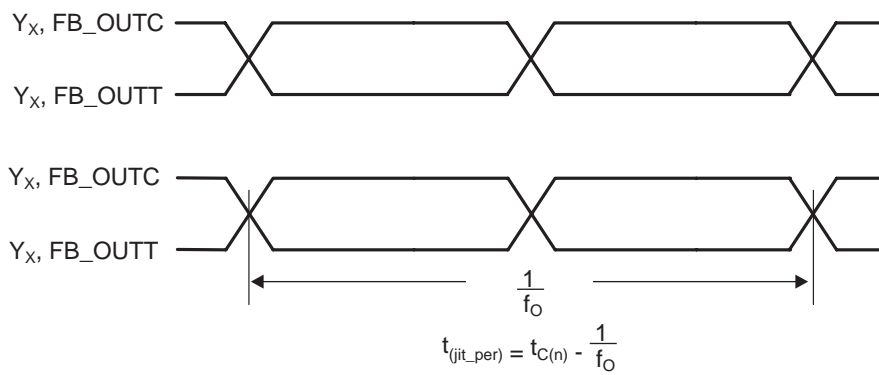


Figure 6. Period Jitter



Parameter Measurement Information

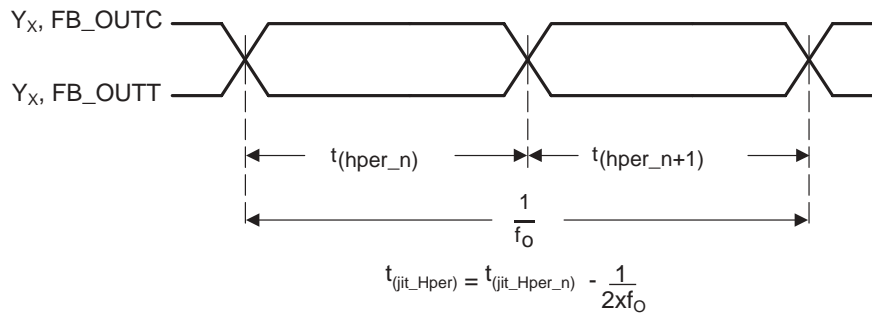


Figure 7. Half-Period Jitter

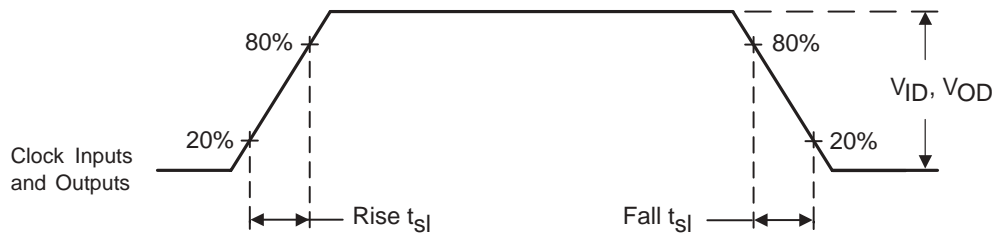
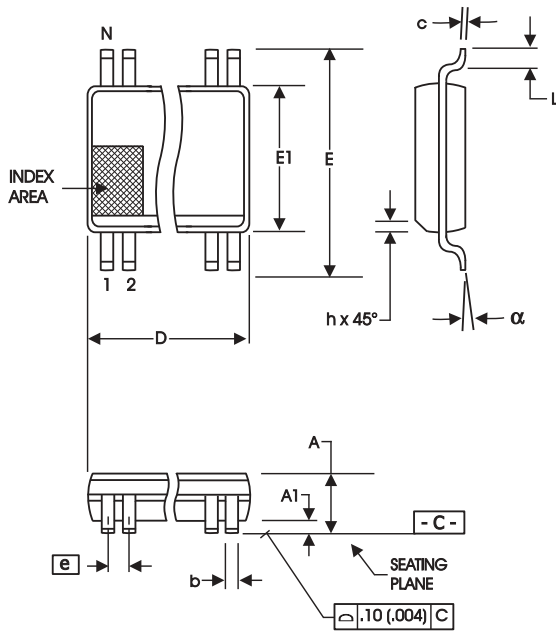


Figure 8. Input and Output Slew Rates



16-Lead, 150 mil SSOP (QSOP)

SYMBOL	In Millimeters		In Inches	
	MIN	MAX	MIN	MAX
A	1.35	1.75	.053	.069
A1	0.10	0.25	.004	.010
A2	--	1.50	--	.059
b	0.20	0.30	.008	.012
c	0.18	0.25	.007	.010
D	SEE VARIATIONS		SEE VARIATIONS	
E	5.80	6.20	.228	.244
E1	3.80	4.00	.150	.157
e	0.635 BASIC		0.025 BASIC	
L	0.40	1.27	.016	.050
N	SEE VARIATIONS		SEE VARIATIONS	
a	0°	8°	0°	8°
ZD	SEE VARIATIONS		SEE VARIATIONS	

VARIATIONS

N	D mm.		ZD (Ref)	D (inch)		ZD (Ref)
	MIN	MAX		MIN	MAX	
16	4.80	5.00	0.23	.189	.197	.009

Reference Doc.: JEDEC Publication 95, MO-137

10-0032

Ordering Information

95V842yFzLF-T

XXXX y F z LF - T

- XXXX — Device Type
- y — Revision Designator (will not correlate with datasheet revision)
- F — Package Type
F=SSOP
- z — Temperature Grade
Blank = 0°C to +85°C (Commercial)
I = -40°C to +85°C (Industrial)
- LF — Lead Free, RoHS Compliant (Optional)
- T — Designation for tape and reel packaging