

阅读申明

- 1.本站收集的数据手册和产品资料都来自互联网，版权归原作者所有。如读者和版权方有任何异议请及时告之，我们将妥善解决。
- 2.本站提供的中文数据手册是英文数据手册的中文翻译，其目的是协助用户阅读，该译文无法自动跟随原稿更新，同时也可能存在翻译上的不当。建议读者以英文原稿为参考以便获得更精准的信息。
- 3.本站提供的产品资料，来自厂商的技术支持或者使用者的心得体会等，其内容可能存在描述上的差异，建议读者做出适当判断。
- 4.如需与我们联系，请发邮件到marketing@iczoom.com，主题请标有“数据手册”字样。

Read Statement

1. The datasheets and other product information on the site are all from network reference or other public materials, and the copyright belongs to the original author and original published source. If readers and copyright owners have any objections, please contact us and we will deal with it in a timely manner.
2. The Chinese datasheets provided on the website is a Chinese translation of the English datasheets. Its purpose is for reader's learning exchange only and do not involve commercial purposes. The translation cannot be automatically updated with the original manuscript, and there may also be improper translations. Readers are advised to use the English manuscript as a reference for more accurate information.
3. All product information provided on the website refer to solutions from manufacturers' technical support or users the contents may have differences in description, and readers are advised to take the original article as the standard.
4. If you have any questions, please contact us at marketing@iczoom.com and mark the subject with "Datasheets" .



155 Mbps and 622 Mbps Clock and Data Recovery Units

Vitesse's high-speed clock and data recovery devices deliver industry-leading jitter performance

Highlights

- Superior jitter tolerance and transfer jitter performance
- Low power dissipation
- Single CDR unit for both 155 Mbps and 622 Mbps applications

Applications

- SONET/SDH and DWDM transport systems
- Multiservice access platforms and add/drop multiplexers
- ATM switches and routers
- Digital cross-connect systems
- Optical test equipment

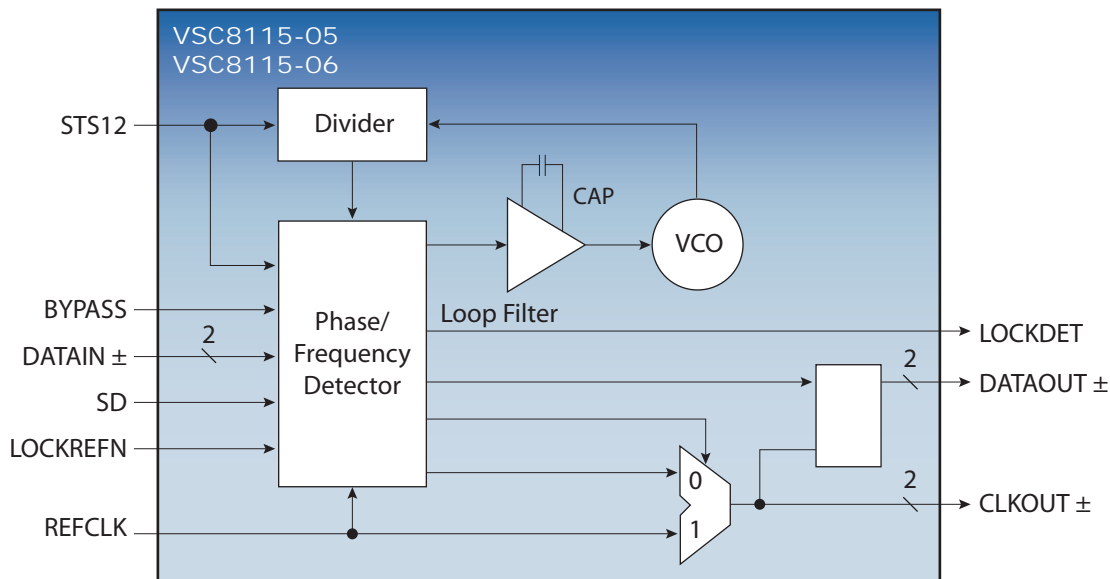
Vitesse's newly improved multirate clock and data recovery (CDR) devices provide exceptional input sensitivity, jitter tolerance, and jitter transfer performance.

The VSC8115-05 and VSC8115-06 devices derive high-speed timing signals for SONET/SDH-based equipment. The devices are designed to operate with SONET framer or ASIC devices to provide a low-power, high-speed clock and data recovery interface for optical networks.

The devices achieve impressive jitter tolerance of 0.45 UI, jitter input sensitivity of 150 mV, and jitter transfer compliance in JMODE. Meets all Telcordia, ANSI, ITU-T, and SONET jitter requirements.

The VSC8115-05 and VSC8115-06 feature signal and lock-detect status outputs, automatic lock-to-reference, and PLL bypass for on-board debugging. High-speed outputs are configurable for either LVPECL or LVDS.

Available in a 20-pin TSSOP package for flexible implementation and simplified layout, the VSC8115-05 device supports commercial temperature ranges, and the VSC8115-06 supports industrial temperature ranges. Both devices come in tape and reel form and are available in lead(Pb)-free versions.



Use the VSC8115-05 or VSC8115-06 for OC-12 (STM-4) and OC-3 (STM-1) NRZ data clocking and recovery.

Features

- Automatic lock-to-reference
- Signal and lock-detect status outputs
- PLL bypass for on-board debugging
- High-speed LVPECL or LVDS outputs

Requirements

- Telcordia, ANSI, ITU-T G.783, and G.825 SDH
- GR-253 CORE and GR-253 ILR SONET
- T1.105.03-2002 SONET

Key Specifications

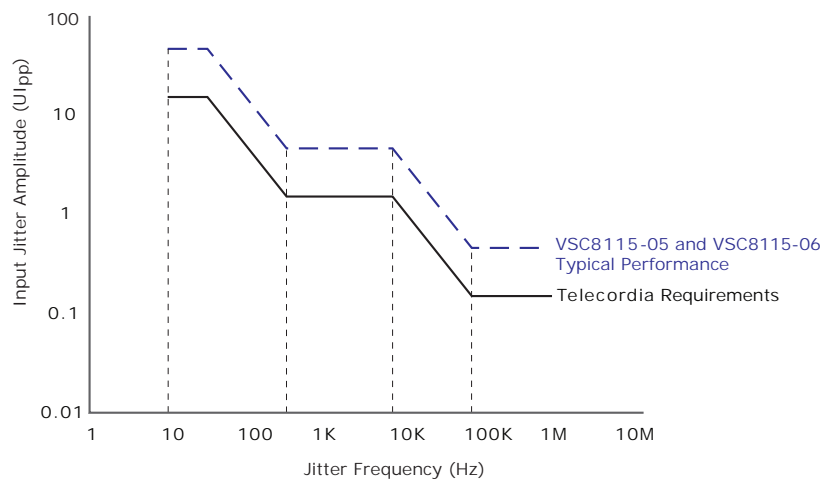
- 3.3 V power supply
- 155 mW typical power dissipation
- Commercial temperature range 0 °C to 85 °C
- Industrial temperature range -40 °C to 95 °C
- 20-pin, 4.4 mm × 6.5 mm TSSOP package

Related Vitesse Products

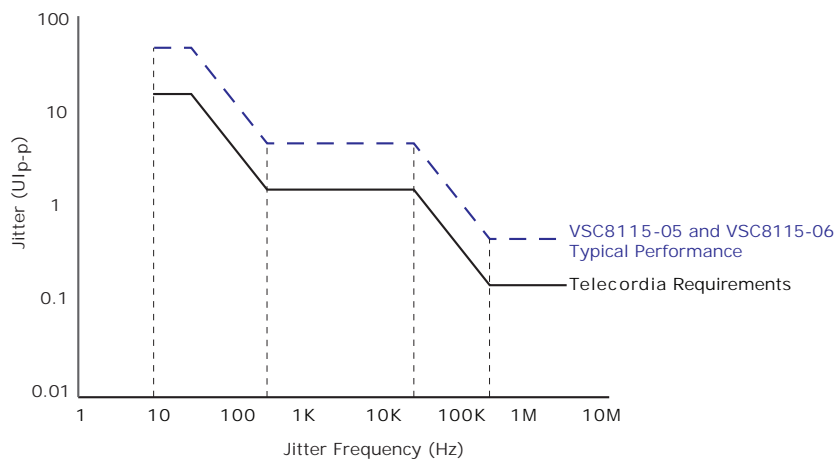
Visit www.vitesse.com for information about these related Vitesse products:

- VSC8115 Multirate Clock and Data Recovery Unit

OC-3 Jitter Tolerance Minimum Specifications



OC-12 Jitter Tolerance Minimum Specifications



Vitesse Semiconductor Corporation

741 Calle Plano • Camarillo, CA 93012 USA • Tel: +1.800.VITESSE • +1.805.388.3700 • Fax: +1.805.987.5896 • www.vitesse.com