

阅读申明

- 1.本站收集的数据手册和产品资料都来自互联网，版权归原作者所有。如读者和版权方有任何异议请及时告之，我们将妥善解决。
- 2.本站提供的中文数据手册是英文数据手册的中文翻译，其目的是协助用户阅读，该译文无法自动跟随原稿更新，同时也可能存在翻译上的不当。建议读者以英文原稿为参考以便获得更精准的信息。
- 3.本站提供的产品资料，来自厂商的技术支持或者使用者的心得体会等，其内容可能存在描述上的差异，建议读者做出适当判断。
- 4.如需与我们联系，请发邮件到marketing@iczoom.com，主题请标有“数据手册”字样。

Read Statement

1. The datasheets and other product information on the site are all from network reference or other public materials, and the copyright belongs to the original author and original published source. If readers and copyright owners have any objections, please contact us and we will deal with it in a timely manner.
2. The Chinese datasheets provided on the website is a Chinese translation of the English datasheets. Its purpose is for reader's learning exchange only and do not involve commercial purposes. The translation cannot be automatically updated with the original manuscript, and there may also be improper translations. Readers are advised to use the English manuscript as a reference for more accurate information.
3. All product information provided on the website refer to solutions from manufacturers' technical support or users the contents may have differences in description, and readers are advised to take the original article as the standard.
4. If you have any questions, please contact us at marketing@iczoom.com and mark the subject with "Datasheets" .

NBSG11

2.5V/3.3V SiGe 1:2 Differential Clock Driver with RSECL* Outputs

*Reduced Swing ECL

Description

The NBSG11 is a 1-to-2 differential fanout buffer, optimized for low skew and Ultra-Low JITTER.

Inputs incorporate internal 50 Ω termination resistors and accept NECL (Negative ECL), PECL (Positive ECL), CML, LVCMOS, LVTTTL, or LVDS. Outputs are RSECL (Reduced Swing ECL), 400 mV.

Features

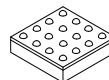
- Maximum Input Clock Frequency up to 12 GHz Typical
- Maximum Input Data Rate up to 12 Gb/s Typical
- 30 ps Typical Rise and Fall Times
- 125 ps Typical Propagation Delay
- RSPECL Output with Operating Range: $V_{CC} = 2.375\text{ V}$ to 3.465 V with $V_{EE} = 0\text{ V}$
- RSNECL Output with RSNECL or NECL Inputs with Operating Range: $V_{CC} = 0\text{ V}$ with $V_{EE} = -2.375\text{ V}$ to -3.465 V
- RSECL Output Level (400 mV Peak-to-Peak Output), Differential Output Only
- 50 Ω Internal Input Termination Resistors
- Compatible with Existing 2.5 V/3.3 V LVEP, EP, and LVEL Devices
- Pb-Free Packages are Available



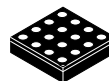
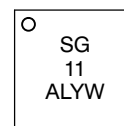
ON Semiconductor®

<http://onsemi.com>

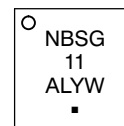
MARKING DIAGRAMS*



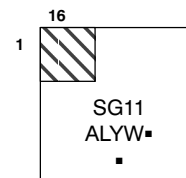
FCBGA-16
BA SUFFIX
CASE 489



FCLGA-16
MA SUFFIX
CASE 526



QFN-16
MN SUFFIX
CASE 485G



- A = Assembly Location
- L = Wafer Lot
- Y = Year
- W = Work Week
- = Pb-Free Package

(Note: Microdot may be in either location)

*For additional marking information, refer to Application Note AND8002/D.

ORDERING INFORMATION

See detailed ordering and shipping information in the package dimensions section on page 10 of this data sheet.

NBSG11

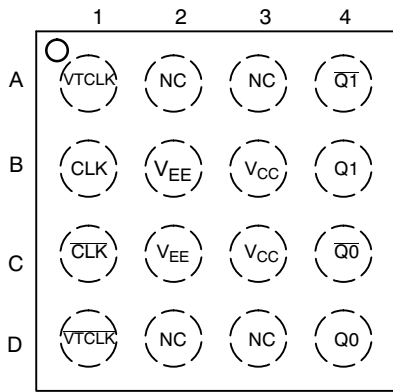


Figure 1. BGA-16 and LGA-16 Pinout (Top View)

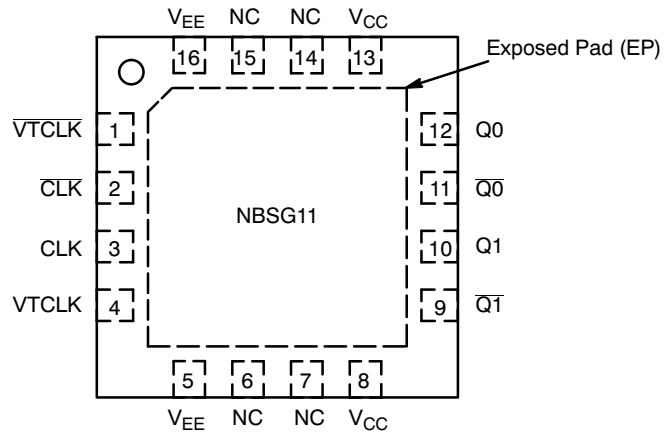


Figure 2. QFN-16 Pinout (Top View)

Table 1. PIN DESCRIPTION

Pin		Name	I/O	Description
BGA	QFN			
D1	1	VTCLK	-	Internal 50 Ω Termination Pin. See Table 2.
C1	2	CLK	ECL, CML, LVCMOS, LVDS, LVTTTL Input	Inverted Differential Input. Internal 75 k Ω to V_{EE} and 36.5 k Ω to V_{CC} .
B1	3	CLK	ECL, CML, LVCMOS, LVDS, LVTTTL Input	Noninverted Differential Input. Internal 75 k Ω to V_{EE} .
A1	4	VTCLK	-	Internal 50 Ω Termination Pin. See Table 2.
B2,C2	5,16	V_{EE}	-	Negative Supply Voltage
A2,A3,D2,D3	6,7,14,15	NC	-	No Connect
B3,C3	8,13	V_{CC}	-	Positive Supply Voltage
A4	9	Q1	RSECL Output	Inverted Differential Output 1. Typically Terminated with 50 Ω to $V_{TT} = V_{CC} - 2.0$ V.
B4	10	Q0	RSECL Output	Noninverted Differential Output 1. Typically Terminated with 50 Ω to $V_{TT} = V_{CC} - 2.0$ V.
C4	11	Q0	RSECL Output	Inverted Differential output 0. Typically Terminated with 50 Ω to $V_{TT} = V_{CC} - 2.0$ V.
D4	12	Q0	RSECL Output	Noninverted Differential Output 0. Typically Terminated with 50 Ω to $V_{TT} = V_{CC} - 2$ V.
N/A	-	EP	-	Exposed Pad (Note 2)

1. The NC pins are electrically connected to the die and must be left open.
2. All V_{CC} and V_{EE} pins must be externally connected to Power Supply to guarantee proper operation. The thermally exposed pad on package bottom (see case drawing) must be attached to a heat-sinking conduit.
3. In the differential configuration when the input termination pins (VTCLK, VTCLK) are connected to a common termination voltage, and if no signal is applied then the device will be susceptible to self-oscillation.

NBSG11

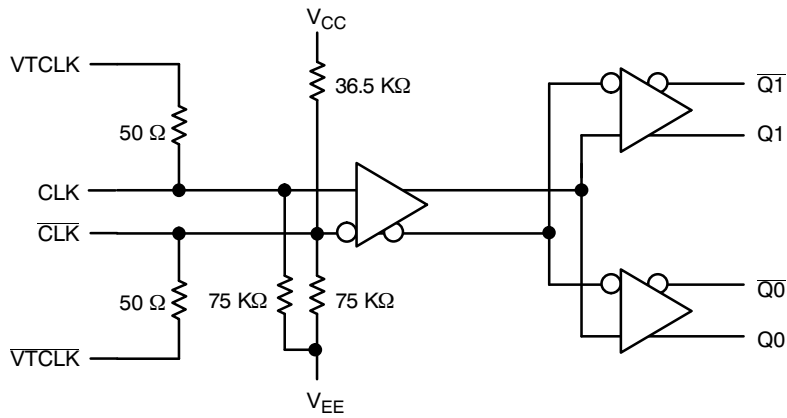


Figure 3. Logic Diagram

Table 2. INTERFACING OPTIONS

INTERFACING OPTIONS	CONNECTIONS
CML	Connect VTCLK and \overline{VTCLK} to V _{CC}
LVDS	Connect VTCLK and \overline{VTCLK} together
AC-COUPLED	Bias VTCLK and \overline{VTCLK} Inputs within (VIHCMR) Common Mode Range
RSECL, PECL, NECL	Standard ECL Termination Techniques
LVTTTL, LVCMOS	An external voltage should be applied to the unused complementary differential input. Nominal voltage is 1.5 V for LVTTTL and V _{CC} /2 for LVCMOS inputs.

Table 3. ATTRIBUTES

Characteristics	Value	
Internal Input Pulldown Resistor (CLK, \overline{CLK})	75 kΩ	
Internal Input Pullup Resistor (\overline{CLK})	36.5 kΩ	
ESD Protection	Human Body Model	> 2 kV
	Machine Model	> 100 V
Moisture Sensitivity (Note 4)	Pb Pkg	Pb-Free Pkg
	FCLGA-16, FCBGA-16	Level 3
	QFN-16	Level 1
Flammability Rating	Oxygen Index: 28 to 34	UL 94 V-0 @ 0.125 in
Transistor Count	125	
Meets or exceeds JEDEC Spec EIA/JESD78 IC Latchup Test		

4. For additional information, see Application Note AND8003/D.

NBSG11

Table 4. MAXIMUM RATINGS

Symbol	Parameter	Condition 1	Condition 2	Rating	Unit
V_{CC}	Positive Power Supply	$V_{EE} = 0\text{ V}$		3.6	V
V_{EE}	Negative Power Supply	$V_{CC} = 0\text{ V}$		-3.6	V
V_I	Positive Input Negative Input	$V_{EE} = 0\text{ V}$ $V_{CC} = 0\text{ V}$	$V_I \leq V_{CC}$ $V_I \geq V_{EE}$	3.6 -3.6	V V
V_{INPP}	Differential Input Voltage $ D - \bar{D} $	$V_{CC} - V_{EE} \geq 2.8\text{ V}$ $V_{CC} - V_{EE} < 2.8\text{ V}$		2.8 $ V_{CC} - V_{EE} $	V V
I_{out}	Output Current	Continuous Surge		25 50	mA mA
T_A	Operating Temperature Range	16 FCBGA, FCLGA 16 QFN		-40 to +70 -40 to +85	°C
T_{stg}	Storage Temperature Range			-65 to +150	°C
θ_{JA}	Thermal Resistance (Junction-to-Ambient) (Note 5)	0 lfpm 500 lfpm 0 lfpm 500 lfpm	16 FCBGA, FCLGA 16 FCBGA, FCLGA 16 QFN 16 QFN	108 86 41.6 35.2	°C/W °C/W °C/W °C/W
θ_{JC}	Thermal Resistance (Junction-to-Case)	1S2P (Note 5) 2S2P (Note 6)	16 FCBGA, FCLGA 16 QFN	5.0 4.0	°C/W °C/W
T_{sol}	Wave Solder Pb Pb-Free			225 265	°C

Stresses exceeding Maximum Ratings may damage the device. Maximum Ratings are stress ratings only. Functional operation above the Recommended Operating Conditions is not implied. Extended exposure to stresses above the Recommended Operating Conditions may affect device reliability.

5. JEDEC standard multilayer board – 1S2P (1 signal, 2 power).

6. JEDEC standard multilayer board – 2S2P (2 signal, 2 power) with 8 filled thermal vias under exposed pad.

NBSG11

Table 5. DC CHARACTERISTICS, INPUT WITH RSPECL OUTPUT $V_{CC} = 2.5\text{ V}$; $V_{EE} = 0\text{ V}$ (Note 7)

Symbol	Characteristic	-40°C			25°C			70°C(LGA)/85°C(QFN)**			Unit
		Min	Typ	Max	Min	Typ	Max	Min	Typ	Max	
I_{EE}	Negative Power Supply Current	45	60	75	45	60	75	45	60	75	mA
V_{OH}	Output HIGH Voltage (Note 8)	1450	1530	1575	1525	1565	1600	1550	1590	1625	mV
V_{OUTPP}	Output Amplitude Voltage	350	410	525	350	410	525	350	410	525	mV
V_{IH}	Input HIGH Voltage (Single-Ended) (Note 10)	$V_{CC} - 1435\text{ mV}$	$V_{CC} - 1000\text{ mV}^*$	V_{CC}	$V_{CC} - 1435\text{ mV}$	$V_{CC} - 1000\text{ mV}^*$	V_{CC}	$V_{CC} - 1435\text{ mV}$	$V_{CC} - 1000\text{ mV}^*$	V_{CC}	V
V_{IL}	Input LOW Voltage (Single-Ended) (Note 11)	$V_{IH} - 2.5\text{ V}$	$V_{CC} - 1400\text{ mV}^*$	$V_{IH} - 150\text{ mV}$	$V_{IH} - 2.5\text{ V}$	$V_{CC} - 1400\text{ mV}^*$	$V_{IH} - 150\text{ mV}$	$V_{IH} - 2.5\text{ V}$	$V_{CC} - 1400\text{ mV}^*$	$V_{IH} - 150\text{ mV}$	V
V_{IHCMR}	Input HIGH Voltage Common Mode Range (Differential Configuration) (Note 9)	1.2		2.5	1.2		2.5	1.2		2.5	V
R_{TIN}	Internal Input Termination Resistor	45	50	55	45	50	55	45	50	55	Ω
I_{IH}	Input HIGH Current (@ V_{IH} , V_{IHMAX})		80	150		80	150		80	150	μA
I_{IL}	Input LOW Current (@ V_{IL} , V_{ILMIN})		25	100		25	100		25	100	μA

NOTE: Device will meet the specifications after thermal equilibrium has been established when mounted in a test socket or printed circuit board with maintained transverse airflow greater than 500 lfm. Electrical parameters are guaranteed only over the declared operating temperature range. Functional operation of the device exceeding these conditions is not implied. Device specification limit values are applied individually under normal operating conditions and not valid simultaneously.

*Typicals used for testing purposes.

**The device packaged in FCLGA-16 have maximum temperature specification of 70°C and devices packaged in QFN-16 have maximum temperature specification of 85°C.

7. Input and output parameters vary 1:1 with V_{CC} . V_{EE} can vary +0.125 V to -0.965 V.

8. All loading with 50 Ω to $V_{CC} - 2.0\text{ V}$. V_{OH}/V_{OL} measured at V_{IH}/V_{IL} .

9. V_{IHCMR} min varies 1:1 with V_{EE} . V_{IHCMR} max varies 1:1 with V_{CC} . The V_{IHCMR} range is referenced to the most positive side of the differential input signal.

10. V_{IH} cannot exceed V_{CC} .

11. V_{IL} always $\geq V_{EE}$.

NBSG11

Table 6. DC CHARACTERISTICS, INPUT WITH RSPECL OUTPUT $V_{CC} = 3.3\text{ V}$; $V_{EE} = 0\text{ V}$ (Note 12)

Symbol	Characteristic	-40°C			25°C			70°C(LGA)/85°C(QFN)**			Unit
		Min	Typ	Max	Min	Typ	Max	Min	Typ	Max	
I_{EE}	Negative Power Supply Current	45	60	75	45	60	75	45	60	75	mA
V_{OH}	Output HIGH Voltage (Note 13)	2250	2330	2375	2325	2365	2400	2350	2390	2425	mV
V_{OUTPP}	Output Amplitude Voltage	350	410	525	350	410	525	350	410	525	mV
V_{IH}	Input HIGH Voltage (Single-Ended) (Note 15)	$V_{CC} - 1435\text{ mV}$	$V_{CC} - 1000\text{ mV}^*$	V_{CC}	$V_{CC} - 1435\text{ mV}$	$V_{CC} - 1000\text{ mV}^*$	V_{CC}	$V_{CC} - 1435\text{ mV}$	$V_{CC} - 1000\text{ mV}^*$	V_{CC}	V
V_{IL}	Input LOW Voltage (Single-Ended) (Note 16)	$V_{IH} - 2.5\text{ V}$	$V_{CC} - 1400\text{ mV}^*$	$V_{IH} - 150\text{ mV}$	$V_{IH} - 2.5\text{ V}$	$V_{CC} - 1400\text{ mV}^*$	$V_{IH} - 150\text{ mV}$	$V_{IH} - 2.5\text{ V}$	$V_{CC} - 1400\text{ mV}^*$	$V_{IH} - 150\text{ mV}$	V
V_{IHCMR}	Input HIGH Voltage Common Mode Range (Note 14) (Differential Configuration)	1.2		3.3	1.2		3.3	1.2		3.3	V
R_{TIN}	Internal Input Termination Resistor	45	50	55	45	50	55	45	50	55	Ω
I_{IH}	Input HIGH Current (@ V_{IH} , V_{IHMAX})		80	150		80	150		80	150	μA
I_{IL}	Input LOW Current (@ V_{IL} , V_{ILMIN})		25	100		25	100		25	100	μA

NOTE: Device will meet the specifications after thermal equilibrium has been established when mounted in a test socket or printed circuit board with maintained transverse airflow greater than 500 lfm. Electrical parameters are guaranteed only over the declared operating temperature range. Functional operation of the device exceeding these conditions is not implied. Device specification limit values are applied individually under normal operating conditions and not valid simultaneously.

12. Input and output parameters vary 1:1 with V_{CC} . V_{EE} can vary +0.925 V to -0.165 V.

13. All loading with 50 Ω to $V_{CC} - 2.0\text{ V}$. V_{OH}/V_{OL} measured at V_{IH}/V_{IL} .

14. V_{IHCMR} min varies 1:1 with V_{EE} . V_{IHCMR} max varies 1:1 with V_{CC} . The V_{IHCMR} range is referenced to the most positive side of the differential input signal.

15. V_{IH} cannot exceed V_{CC} .

16. V_{IL} always $\geq V_{EE}$.

*Typicals used for testing purposes.

**The device packaged in FCLGA-16 have maximum temperature specification of 70°C and devices packaged in QFN-16 have maximum temperature specification of 85°C.

NBSG11

Table 7. DC CHARACTERISTICS, NECL OR RSNECL INPUT WITH NECL OUTPUT

$V_{CC} = 0\text{ V}$; $V_{EE} = -3.465\text{ V}$ to -2.375 V (Note 17)

Symbol	Characteristic	-40°C			25°C			70°C(LGA)/85°C(QFN)**			Unit
		Min	Typ	Max	Min	Typ	Max	Min	Typ	Max	
I_{EE}	Negative Power Supply Current	45	60	75	45	60	75	45	60	75	mA
V_{OH}	Output HIGH Voltage (Note 18)	-1050	-970	-925	-975	-935	-900	-950	-910	-875	mV
V_{OUTPP}	Output Amplitude Voltage	350	410	525	350	410	525	350	410	525	mV
V_{IH}	Input HIGH Voltage (Single-Ended) (Note 20)	$V_{CC}-1435\text{ mV}$	$V_{CC}-1000\text{ mV}^*$	V_{CC}	$V_{CC}-1435\text{ mV}$	$V_{CC}-1000\text{ mV}^*$	V_{CC}	$V_{CC}-1435\text{ mV}$	$V_{CC}-1000\text{ mV}^*$	V_{CC}	V
V_{IL}	Input LOW Voltage (Single-Ended) (Note 21)	$V_{IH}-2.5\text{ V}$	$V_{CC}-1400\text{ mV}^*$	$V_{IH}-150\text{ mV}$	$V_{IH}-2.5\text{ V}$	$V_{CC}-1400\text{ mV}^*$	$V_{IH}-150\text{ mV}$	$V_{IH}-2.5\text{ V}$	$V_{CC}-1400\text{ mV}^*$	$V_{IH}-150\text{ mV}$	V
V_{IHCMR}	Input HIGH Voltage Common Mode Range (Differential Configuration) (Note 19)	$V_{EE}+1.2$		0.0	$V_{EE}+1.2$		0.0	$V_{EE}+1.2$		0.0	V
R_{TIN}	Internal Input Termination Resistor	45	50	55	45	50	55	45	50	55	Ω
I_{IH}	Input HIGH Current (@ V_{IH} , V_{IHMAX})		80	150		80	150		80	150	μA
I_{IL}	Input LOW Current (@ V_{IL} , V_{ILMIN})		25	100		25	100		25	100	μA

NOTE: Device will meet the specifications after thermal equilibrium has been established when mounted in a test socket or printed circuit board with maintained transverse airflow greater than 500 lpm. Electrical parameters are guaranteed only over the declared operating temperature range. Functional operation of the device exceeding these conditions is not implied. Device specification limit values are applied individually under normal operating conditions and not valid simultaneously.

17. Input and output parameters vary 1:1 with V_{CC} .

18. All loading with $50\ \Omega$ to $V_{CC} - 2.0\text{ V}$. V_{OH}/V_{OL} measured at V_{IH}/V_{IL} .

19. V_{IHCMR} min varies 1:1 with V_{EE} . V_{IHCMR} max varies 1:1 with V_{CC} . The V_{IHCMR} range is referenced to the most positive side of the differential input signal.

20. V_{IH} cannot exceed V_{CC} .

21. V_{IL} always $\geq V_{EE}$.

*Typicals used for testing purposes.

**The device packaged in FCLGA-16 have maximum temperature specification of 70°C and devices packaged in QFN-16 have maximum temperature specification of 85°C.

NBSG11

Table 8. AC CHARACTERISTICS for FCLGA-16

$V_{CC} = 0\text{ V}$; $V_{EE} = -3.465\text{ V to } -2.375\text{ V}$ or $V_{CC} = 2.375\text{ V to } 3.465\text{ V}$; $V_{EE} = 0\text{ V}$

Symbol	Characteristic	-40°C			25°C			70°C			Unit
		Min	Typ	Max	Min	Typ	Max	Min	Typ	Max	
f_{max}	Maximum Frequency (See Figure 4. $F_{max}/JITTER$) (Note 22)	10.709	12		10.709	12		10.709	12		GHz
t_{PLH} , t_{PHL}	Propagation Delay to Output Differential	90	125	160	90	125	160	90	125	160	ps
t_{SKEW}	Duty Cycle Skew (Note 23) Within-Device Skew (Note 24) Device-to-Device Skew (Note 25)		3 6 25	15 15 50		3 6 25	15 15 50		3 6 25	15 15 50	ps
t_{JITTER}	RMS Random Clock Jitter $f_{in} < 10\text{ GHz}$ Peak-to-Peak Data Dependent Jitter $f_{in} < 10\text{ Gb/s}$		0.2 TBD	1		0.2 TBD	1		0.2 TBD	1	ps
V_{INPP}	Input Voltage Swing/Sensitivity (Differential Configuration) (Note 26)	75		2600	75		2600	75		2600	mV
t_r t_f	Output Rise/Fall Times (20% - 80%) @ 1 GHz	20	30	55	20	30	55	20	30	55	ps

NOTE: Device will meet the specifications after thermal equilibrium has been established when mounted in a test socket or printed circuit board with maintained transverse airflow greater than 500 lfm. Electrical parameters are guaranteed only over the declared operating temperature range. Functional operation of the device exceeding these conditions is not implied. Device specification limit values are applied individually under normal operating conditions and not valid simultaneously.

22. Measured using a 500 mV source, 50% duty cycle clock source. All loading with $50\ \Omega$ to $V_{CC} - 2.0\text{ V}$. For minimum f_{max} value of 10.709 GHz, output amplitude is approximately 200 mV (as shown in Figure 4, where output P-P spec is shown as a minimum/guarantee of around 150 mV). Input edge rates 40 ps (20% - 80%).

23. See Figure 5. $t_{SKEW} = |t_{PLH} - t_{PHL}|$ for a nominal 50% Differential Clock Input Waveform.

24. Within-Device skew is defined as identical transitions on similar paths through a device.

25. Device-to-device skew for identical transitions at identical V_{CC} levels.

26. V_{INPP} (MAX) cannot exceed $V_{CC} - V_{EE}$.

NBSG11

Table 9. AC CHARACTERISTICS for QFN-16 $V_{CC} = 0\text{ V}$; $V_{EE} = -3.465\text{ V}$ to -2.375 V or $V_{CC} = 2.375\text{ V}$ to 3.465 V ; $V_{EE} = 0\text{ V}$

Symbol	Characteristic	-40°C			25°C			85°C			Unit
		Min	Typ	Max	Min	Typ	Max	Min	Typ	Max	
f_{\max}	Maximum Frequency (See Figure 4. F_{\max}/JITTER) (Note 27)	10.5	12		10.5	12		10.5	12		GHz
t_{PLH} , t_{PHL}	Propagation Delay to Output Differential	90	125	160	90	125	160	90	125	160	ps
t_{SKEW}	Duty Cycle Skew (Note 28) Within-Device Skew (Note 29) Device-to-Device Skew (Note 30)		3 6 25	15 15 50		3 6 25	15 15 50		3 6 25	15 15 50	ps
t_{JITTER}	RMS Random Clock Jitter $f_{\text{in}} < 10\text{ GHz}$ Peak-to-Peak Data Dependent Jitter $f_{\text{in}} < 10\text{ Gb/s}$		0.2 TBD	1		0.2 TBD	1		0.2 TBD	1	ps
V_{INPP}	Input Voltage Swing/Sensitivity (Differential Configuration) (Note 31)	75		2600	75		2600	75		2600	mV
t_r t_f	Output Rise/Fall Times (20% - 80%) @ 1 GHz	15	30	55	20	30	55	20	30	55	ps

NOTE: Device will meet the specifications after thermal equilibrium has been established when mounted in a test socket or printed circuit board with maintained transverse airflow greater than 500 lfm. Electrical parameters are guaranteed only over the declared operating temperature range. Functional operation of the device exceeding these conditions is not implied. Device specification limit values are applied individually under normal operating conditions and not valid simultaneously.

27. Measured using a 500 mV source, 50% duty cycle clock source. All loading with $50\ \Omega$ to $V_{CC} - 2.0\text{ V}$. For minimum f_{\max} value of 10.5 GHz, output amplitude is approximately 200 mV (as shown in Figure 4, where output P-P spec is shown as a minimum/guarantee of around 150 mV). Input edge rates 40 ps (20% - 80%).

28. See Figure 5. $t_{\text{SKEW}} = |t_{\text{PLH}} - t_{\text{PHL}}|$ for a nominal 50% Differential Clock Input Waveform.

29. Within-Device skew is defined as identical transitions on similar paths through a device.

30. Device-to-device skew for identical transitions at identical V_{CC} levels.

31. V_{INPP} (MAX) cannot exceed $V_{CC} - V_{EE}$.

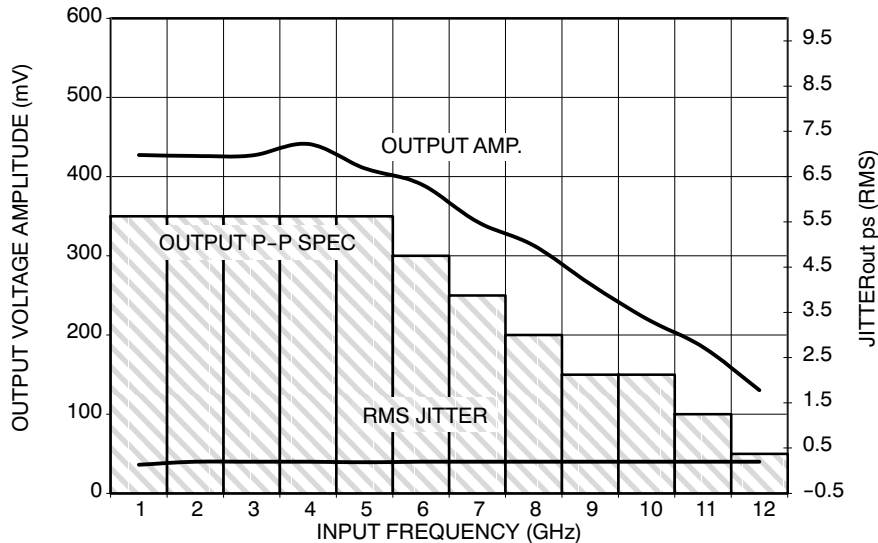


Figure 4. Output Voltage Amplitude (V_{OUTPP}) / RMS Jitter vs. Input Frequency (f_{in}) at Ambient Temperature (Typical)

NBSG11

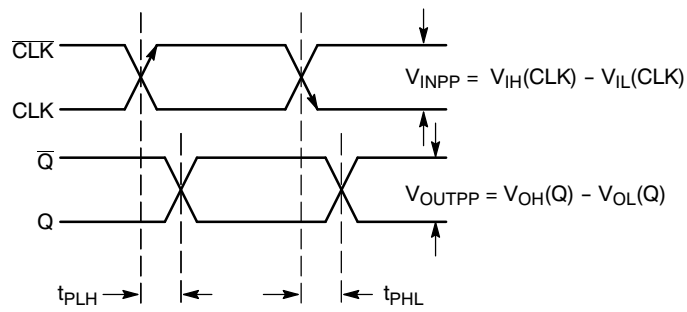


Figure 5. AC Reference Measurement

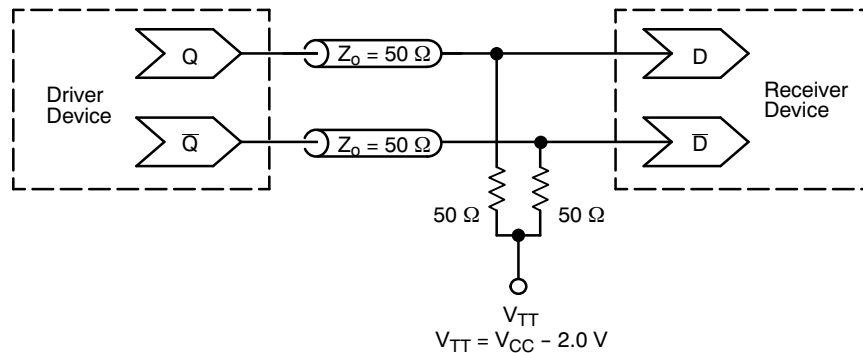


Figure 6. Typical Termination for Output Driver and Device Evaluation
(See Application Note AND8020/D – Termination of ECL Logic Devices.)

ORDERING INFORMATION

Device	Package	Shipping [†]
NBSG11BA	FCBGA-16	100 Units / Tray (Contact Sales Representative)
NBSG11BAR2	FCBGA-16	100 / Tape & Reel (Contact Sales Representative)
NBSG11MAG	FCLGA-16, 4x4 mm (Pb-Free)	100 Units / Tray (Contact Sales Representative)
NBSG11MAHTBG	FCLGA-16, 4x4 mm (Pb-Free)	100 / Tape & Reel
NBSG11MN	QFN-16	123 Units / Rail
NBSG11MNG	QFN-16 (Pb-Free)	123 Units / Rail
NBSG11MNR2	QFN-16	3000 / Tape & Reel
NBSG11MNR2G	QFN-16 (Pb-Free)	3000 / Tape & Reel

Board	Description
NBSG11BAEVB	NBSG11BA Evaluation Board

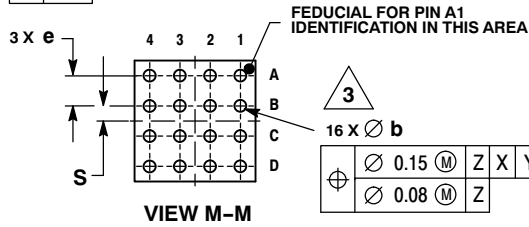
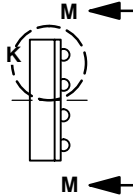
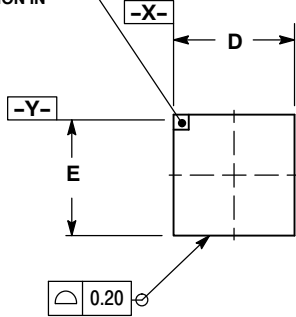
[†]For information on tape and reel specifications, including part orientation and tape sizes, please refer to our Tape and Reel Packaging Specifications Brochure, BRD8011/D.

NBSG11

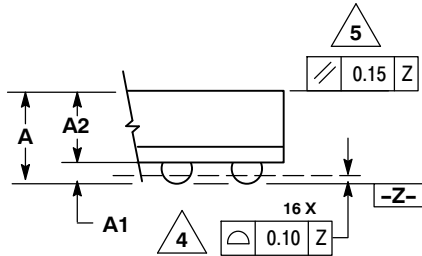
PACKAGE DIMENSIONS

FCBGA-16
BA SUFFIX
 PLASTIC 4X4 (mm) BGA FLIP CHIP PACKAGE
 CASE 489-01
 ISSUE O

LASER MARK FOR PIN 1
 IDENTIFICATION IN
 THIS AREA



VIEW M-M



DETAIL K
 ROTATED 90° CLOCKWISE

NOTES:

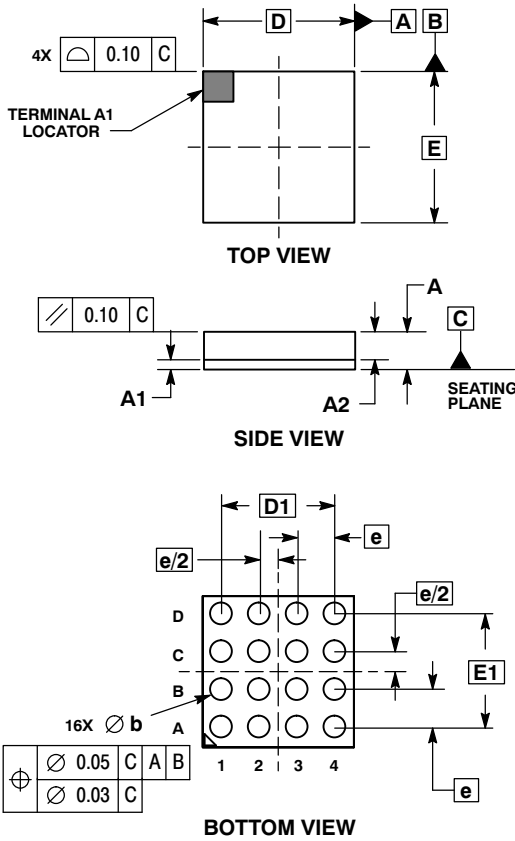
1. DIMENSIONS ARE IN MILLIMETERS.
2. INTERPRET DIMENSIONS AND TOLERANCES PER ASME Y14.5M, 1994.
3. DIMENSION b IS MEASURED AT THE MAXIMUM SOLDER BALL DIAMETER, PARALLEL TO DATUM PLANE Z.
4. DATUM Z (SEATING PLANE) IS DEFINED BY THE SPHERICAL CROWNS OF THE SOLDER BALLS.
5. PARALLELISM MEASUREMENT SHALL EXCLUDE ANY EFFECT OF MARK ON TOP SURFACE OF PACKAGE.

MILLIMETERS		
DIM	MIN	MAX
A	1.40	MAX
A1	0.25	0.35
A2	1.20	REF
b	0.30	0.50
D	4.00	BSC
E	4.00	BSC
e	1.00	BSC
S	0.50	BSC

NBSG11

PACKAGE DIMENSIONS

16 PIN LGA 4x4, 1.0P
CASE 526AB-01
ISSUE C

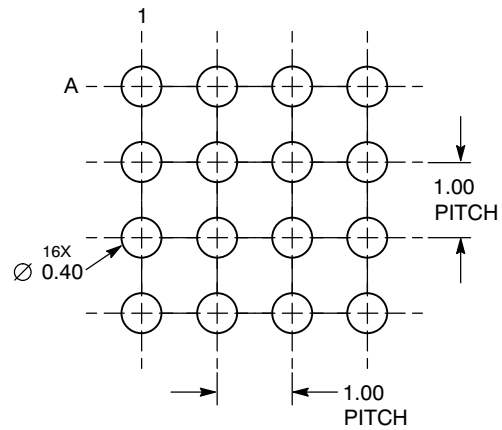


NOTES:

1. DIMENSIONING AND TOLERANCING PER ASME Y14.5M, 1994.
2. CONTROLLING DIMENSION: MILLIMETERS.

MILLIMETERS			
DIM	MIN	TYP	MAX
A	0.89	0.96	1.03
A1	0.22	0.26	0.30
A2	0.67	0.70	0.73
b	0.30	0.40	0.50
D	4.00 BSC		
D1	3.00 BSC		
E	4.00 BSC		
E1	3.00 BSC		
e	1.00 BSC		

SOLDERING FOOTPRINT*

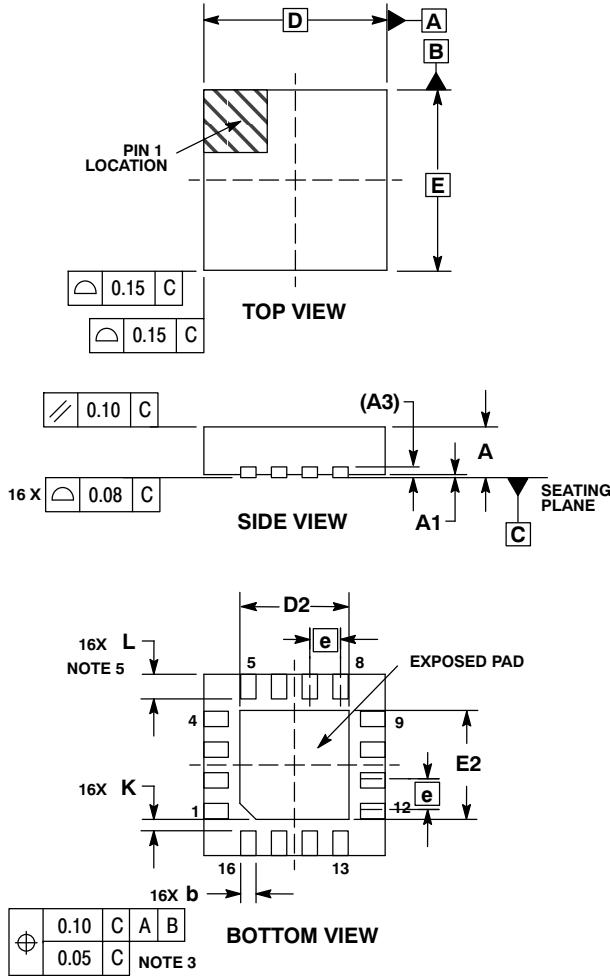


*For additional information on our Pb-Free strategy and soldering details, please download the ON Semiconductor Soldering and Mounting Techniques Reference Manual, SOLDERRM/D.

NBSG11

PACKAGE DIMENSIONS

16 PIN QFN
CASE 485G-01
ISSUE C

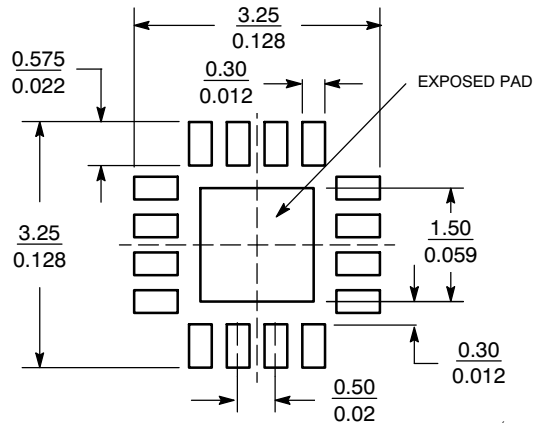


NOTES:

1. DIMENSIONING AND TOLERANCING PER ASME Y14.5M, 1994.
2. CONTROLLING DIMENSION: MILLIMETERS.
3. DIMENSION b APPLIES TO PLATED TERMINAL AND IS MEASURED BETWEEN 0.25 AND 0.30 MM FROM TERMINAL.
4. COPLANARITY APPLIES TO THE EXPOSED PAD AS WELL AS THE TERMINALS.
5. L_{max} CONDITION CAN NOT VIOLATE 0.2 MM MINIMUM SPACING BETWEEN LEAD TIP AND FLAG

DIM	MILLIMETERS	
	MIN	MAX
A	0.80	1.00
A1	0.00	0.05
A3	0.20	REF
b	0.18	0.30
D	3.00	BSC
D2	1.65	1.85
E	3.00	BSC
E2	1.65	1.85
e	0.50	BSC
K	0.18	TYP
L	0.30	0.50

SOLDERING FOOTPRINT*



SCALE 10:1 (mm/inches)

*For additional information on our Pb-Free strategy and solder details, please download the ON Semiconductor Soldering & Mounting Techniques Reference Manual, SOLDERRM/D.

ON Semiconductor and are registered trademarks of Semiconductor Components Industries, LLC (SCILLC). SCILLC reserves the right to make changes without further notice to any products herein. SCILLC makes no warranty, representation or guarantee regarding the suitability of its products for any particular purpose, nor does SCILLC assume any liability arising out of the application or use of any product or circuit, and specifically disclaims any and all liability, including without limitation special, consequential or incidental damages. "Typical" parameters which may be provided in SCILLC data sheets and/or specifications can and do vary in different applications and actual performance may vary over time. All operating parameters, including "Typicals" must be validated for each customer application by customer's technical experts. SCILLC does not convey any license under its patent rights nor the rights of others. SCILLC products are not designed, intended, or authorized for use as components in systems intended for surgical implant into the body, or other applications intended to support or sustain life, or for any other application in which the failure of the SCILLC product could create a situation where personal injury or death may occur. Should Buyer purchase or use SCILLC products for any such unintended or unauthorized application, Buyer shall indemnify and hold SCILLC and its officers, employees, subsidiaries, affiliates, and distributors harmless against all claims, costs, damages, and expenses, and reasonable attorney fees arising out of, directly or indirectly, any claim of personal injury or death associated with such unintended or unauthorized use, even if such claim alleges that SCILLC was negligent regarding the design or manufacture of the part. SCILLC is an Equal Opportunity/Affirmative Action Employer. This literature is subject to all applicable copyright laws and is not for resale in any manner.

PUBLICATION ORDERING INFORMATION

LITERATURE FULFILLMENT:
Literature Distribution Center for ON Semiconductor
P.O. Box 5163, Denver, Colorado 80217 USA
Phone: 303-675-2175 or 800-344-3860 Toll Free USA/Canada
Fax: 303-675-2176 or 800-344-3867 Toll Free USA/Canada
Email: orderlit@onsemi.com

N. American Technical Support: 800-282-9855 Toll Free USA/Canada
Europe, Middle East and Africa Technical Support: Phone: 421 33 790 2910
Japan Customer Focus Center Phone: 81-3-5773-3850

ON Semiconductor Website: www.onsemi.com
Order Literature: <http://www.onsemi.com/orderlit>
For additional information, please contact your local Sales Representative