

## 阅读申明

- 1.本站收集的数据手册和产品资料都来自互联网，版权归原作者所有。如读者和版权方有任何异议请及时告之，我们将妥善解决。
- 2.本站提供的中文数据手册是英文数据手册的中文翻译，其目的是协助用户阅读，该译文无法自动跟随原稿更新，同时也可能存在翻译上的不当。建议读者以英文原稿为参考以便获得更精准的信息。
- 3.本站提供的产品资料，来自厂商的技术支持或者使用者的心得体会等，其内容可能存在描述上的差异，建议读者做出适当判断。
- 4.如需与我们联系，请发邮件到marketing@iczoom.com，主题请标有“数据手册”字样。

## Read Statement

1. The datasheets and other product information on the site are all from network reference or other public materials, and the copyright belongs to the original author and original published source. If readers and copyright owners have any objections, please contact us and we will deal with it in a timely manner.
2. The Chinese datasheets provided on the website is a Chinese translation of the English datasheets. Its purpose is for reader's learning exchange only and do not involve commercial purposes. The translation cannot be automatically updated with the original manuscript, and there may also be improper translations. Readers are advised to use the English manuscript as a reference for more accurate information.
3. All product information provided on the website refer to solutions from manufacturers' technical support or users the contents may have differences in description, and readers are advised to take the original article as the standard.
4. If you have any questions, please contact us at marketing@iczoom.com and mark the subject with "Datasheets" .

## 2.5V-3.3V Low-Skew 1:10 Differential PECL Fanout Buffer

### FEATURES

- Ten differential 2.5V/3.3V LVPECL output pairs.
- Output Frequency:  $\leq 700$  MHz.
- Two selectable differential input pairs.
- Translates any standard single-ended or differential input format to LVPECL output. It can accept the following standard input formats and more:
  - LVPECL, LVCMOS, LVDS, HCSL, SSTL, LVHSTL, CML.
- Output Skew: 25ps (typ.).
- Part-to-part skew: 140ps (typ.).
- Propagation delay: 1.5ns (typ.).
- Additive Jitter:  $<100$  fs (typ.).
- Operating Supply Voltage: 2.375V ~ 3.63V.
- Operating temperature range from  $-40^{\circ}\text{C}$  to  $85^{\circ}\text{C}$ .
- Package availability: 32-pin LQFP.

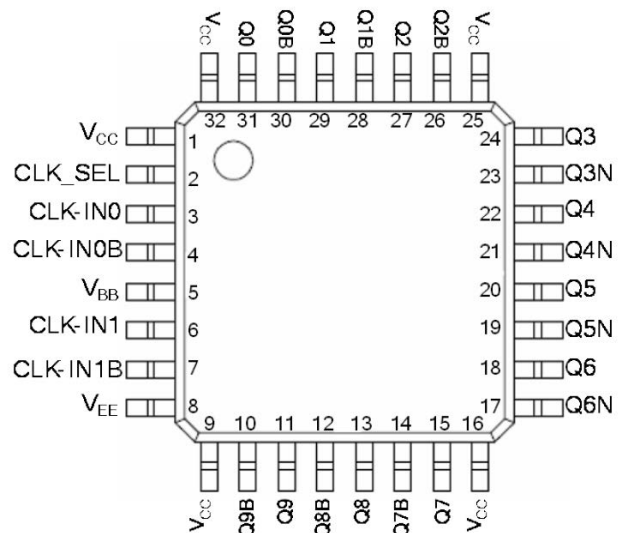
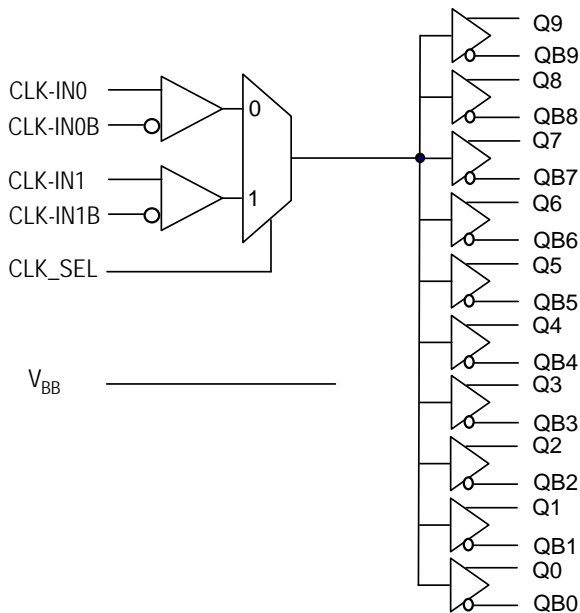
### DESCRIPTION

The PL138-18 family is a high performance low-cost 1: 10 outputs Differential LVPECL fanout buffer.

The family of Differential LVPECL buffers are designed to operate from a single power supply of  $2.5\text{V} \pm 5\%$  or  $3.3\text{V} \pm 10\%$ . The differential input pairs are designed to accept most standard input signal levels, using an appropriate resistor bias network, and produce a high quality set of outputs with the lowest possible skew on the outputs, which is guaranteed for part-to-part or lot-to lot skew.

Designed to fit in a small form-factor package, PL138 family offers up to 1GHz of output operation with very low-power consumption, and lowest additive jitter of any comparable device. The Output Enable feature, when activated, allows the IC to consume less than  $10\mu\text{A}$  of current.

### BLOCK DIAGRAM



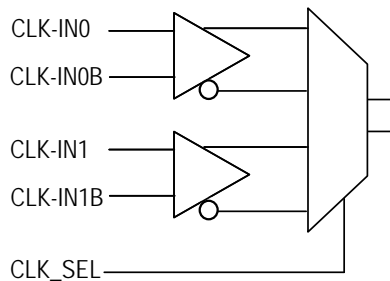
### 32-Pin LQFP Package

## 2.5V-3.3V Low-Skew 1:10 Differential PECL Fanout Buffer

### PIN DESCRIPTIONS

Name	Package Pin #	Type	Description
	LQFP-32		
V <sub>CC</sub>	1, 9, 16, 25, 32	P	Power Supply pin connection
CLK_SEL	2	P	Clock select input. See table below for functional spec. and Single Ended signal interface.
CLK-IN0	3	I	True part of differential clock input signal.
CLK-IN0B	4	I	Complementary part of differential clock input signal.
V <sub>BB</sub>	5	O	Bias Reference Output
CLK-IN1	6	I	True part of differential clock input signal.
CLK-IN1B	7	I	Complementary part of differential clock input signal.
V <sub>EE</sub>	8	P	Power Supply pin connection
Q0 ~ Q9	11, 13, 15, 18, 20, 22, 24, 27, 29, 31	O	LVPECL True output
QB0 ~ QB9	10, 12, 14, 17, 19, 21, 23, 26, 28, 30	O	LVPECL Complementary output

### INPUT LOGIC BLOCK DIAGRAM



### INPUT PIN CHARACTERISTICS

Parameter	Min.	Typ.	Max.	Units
Input Pulldown Resistor		75		kΩ
Pullup/Pulldown Resistors		50		kΩ

### INPUT CLOCK CONTROL SELECTION

CLK_SEL	Selected Source
0	CLK-IN0, CLK-IN0B
1	CLK-IN1, CLK-IN1B

### INPUT CLOCK FUNCTION

Inputs		Outputs		Input to Output Mode	Polarity
CLK-IN0 or CLK-IN1	CLK-IN0B or CLK-IN1B	Q0:Q7	QB0:QB7		
0	1	Low	High	Differential to Differential	Non Inverting
1	0	High	Low	Differential to Differential	Non Inverting
0	See page 8 for accepting SE input	Low	High	Single Ended to Differential	Non Inverting
1		High	Low	Single Ended to Differential	Non Inverting

**2.5V-3.3V Low-Skew 1:10 Differential PECL Fanout Buffer**
**ELECTRICAL SPECIFICATIONS**
**Absolute Maximum Ratings**

PARAMETERS	SYMBOL	MIN.	MAX.	UNITS
Supply Voltage	$V_{DD}$		4.6	V
Input Voltage, dc	$V_I$	-0.5	$V_{DD}+0.5$	V
Output Voltage, dc	$V_O$	-0.5	$V_{DD}+0.5$	V
Storage Temperature	$T_S$	-65	150	°C
Ambient Operating Temperature*	$T_A$	-40	85	°C
Junction Temperature	$T_J$		110	°C
Lead Temperature (soldering, 10s)			260	°C
ESD Protection, Human Body Model	2			kV

Exposure of the device under conditions beyond the limits specified by Maximum Ratings for extended periods may cause permanent damage to the device and affect product reliability. These conditions represent a stress rating only, and functional operations of the device at these or any other conditions above the operational limits noted in this specification is not implied.

\* Note: Operating Temperature is guaranteed by design for all parts (COMMERCIAL and INDUSTRIAL), but tested for COMMERCIAL grade only.

**DC CHARACTERISTICS,  $V_{CC} = 3.3V$ ;  $V_{EE} = 0V$** 

Parameter	Symbol	-40°C			25°C			80°C			Units
		Min	Typ	Max	Min	Typ	Max	Min	Typ	Max	
Output High Voltage*	$V_{OH}$	2.215	2.320	2.420	2.275	2.350	2.420	2.275	2.35	2.420	V
Output Low Voltage*	$V_{OL}$	1.470	1.610	1.745	1.490	1.585	1.680	1.490	1.585	1.680	V
Input High Voltage	$V_{IH}$	2.075		2.420	2.135		2.420	2.135		2.420	V
Input Low Voltage	$V_{IL}$	1.470		1.890	1.490		1.825	1.490		1.825	V
Output Voltage Reference**	$V_{BB}$	1.86		1.98	1.92		2.04	1.92		2.04	V
Peak-to-Peak Input Voltage	$V_{PP}$	150	800	1200	150	800	1200	150	800	1200	V
Input High Voltage Common Mode Range <sup>† †</sup>	$V_{CMR}$	1.2		3.3	1.2		3.3	1.2		3.3	V
Input High Current	CLK-IN0, CLK-IN1	$I_{IH}$		75			75			75	μA
Input Low Current	CLK-IN0B, CLK-IN1B	$I_{IL}$	-75		-75			-75			μA

Input and output parameters vary 1:1 with  $V_{CC}$ .  $V_{EE}$  can vary +0.925V to -0.5V.

\* Outputs terminated with 50Ω to  $V_{CC}$  - 2V.

\*\* Single-ended input operation is limited.  $V_{CC} \geq 3V$  in LVPECL mode.

† Common mode voltage is defined as  $V_{IH}$ .

†† For single-ended applications, the maximum input voltage for CLK-INx, CLK-INxB is  $V_{CC} + 0.3V$

**2.5V-3.3V Low-Skew 1:10 Differential PECL Fanout Buffer**
**DC CHARACTERISTICS, V<sub>CC</sub> = 2.5V; V<sub>EE</sub> = 0V**

Parameter		Symbol	-40°C			25°C			80°C			Units
			Min	Typ	Max	Min	Typ	Max	Min	Typ	Max	
Output High Voltage*		V <sub>OH</sub>	1.415	1.520	1.620	1.475	1.550	1.620	1.475	1.55	1.620	V
Output Low Voltage*		V <sub>OL</sub>	0.670	0.810	0.945	0.690	0.785	0.880	0.690	0.785	0.880	V
Input High Voltage		V <sub>IH</sub>	1.275		1.620	1.335		1.620	1.335		1.620	V
Input Low Voltage		V <sub>IL</sub>	0.670		1.090	0.690		1.025	0.690		1.025	V
Peak-to-Peak Input Voltage		V <sub>PP</sub>	150	800	1200	150	800	1200	150	800	1200	V
Input High Voltage Common Mode Range†		V <sub>CMR</sub>	1.2		2.5	1.2		2.5	1.2		2.5	V
Input High Current	CLK-IN0, CLK-IN1	I <sub>IH</sub>			60			60			60	μA
Input Low Current	CLK-IN0B, CLK-IN1B	I <sub>IL</sub>	-60			-60			-60			μA

Input and output parameters vary 1:1 with V<sub>CC</sub>. V<sub>EE</sub> can vary +0.925V to -0.5V.

\* Outputs terminated with 50Ω to V<sub>CCO</sub> - 2V.

\*\* Common mode voltage is defined as V<sub>IH</sub>.

† For single-ended applications, the maximum input voltage for CLK-IN<sub>x</sub>, CLK-IN<sub>x</sub>B is V<sub>CC</sub> + 0.3V

**AC Electrical Characteristics**

V<sub>CC</sub> = -3.8V to -2.375V or, V<sub>CC</sub> = 2.375V to 3.8V; V<sub>EE</sub> = 0V, T<sub>A</sub> = -40°C to 85°C

Parameter		Symbol	-40°C			25°C			80°C			Units
			Min	Typ	Max	Min	Typ	Max	Min	Typ	Max	
Output Frequency		f <sub>MAX</sub>			700			700			700	MHz
Propagation Delay*		t <sub>PD</sub>	600	680	750	650	725	790	690	790	890	ps
Output Skew ** †		tsk(o)		25	37		25	37		25	37	ps
Part-to-Part Skew *** †		tsk(pp)		85	225		85	225		85	225	ps
Buffer Additive Phase Jitter, RMS; refer to Additive Phase Jitter Section		t <sub>APJ</sub>		0.10			0.10			0.10		ps
Output Rise/Fall Time	20% to 80%	t <sub>R</sub> / t <sub>F</sub>	200		700	200		700	200		700	ps

All parameters are measured at f ≤ 700MHz, unless otherwise noted.

\* Measured from the differential input crossing point to the differential output crossing point.

\*\* Defined as skew between outputs at the same supply voltage and with equal load conditions. Measured at the output differential cross points.

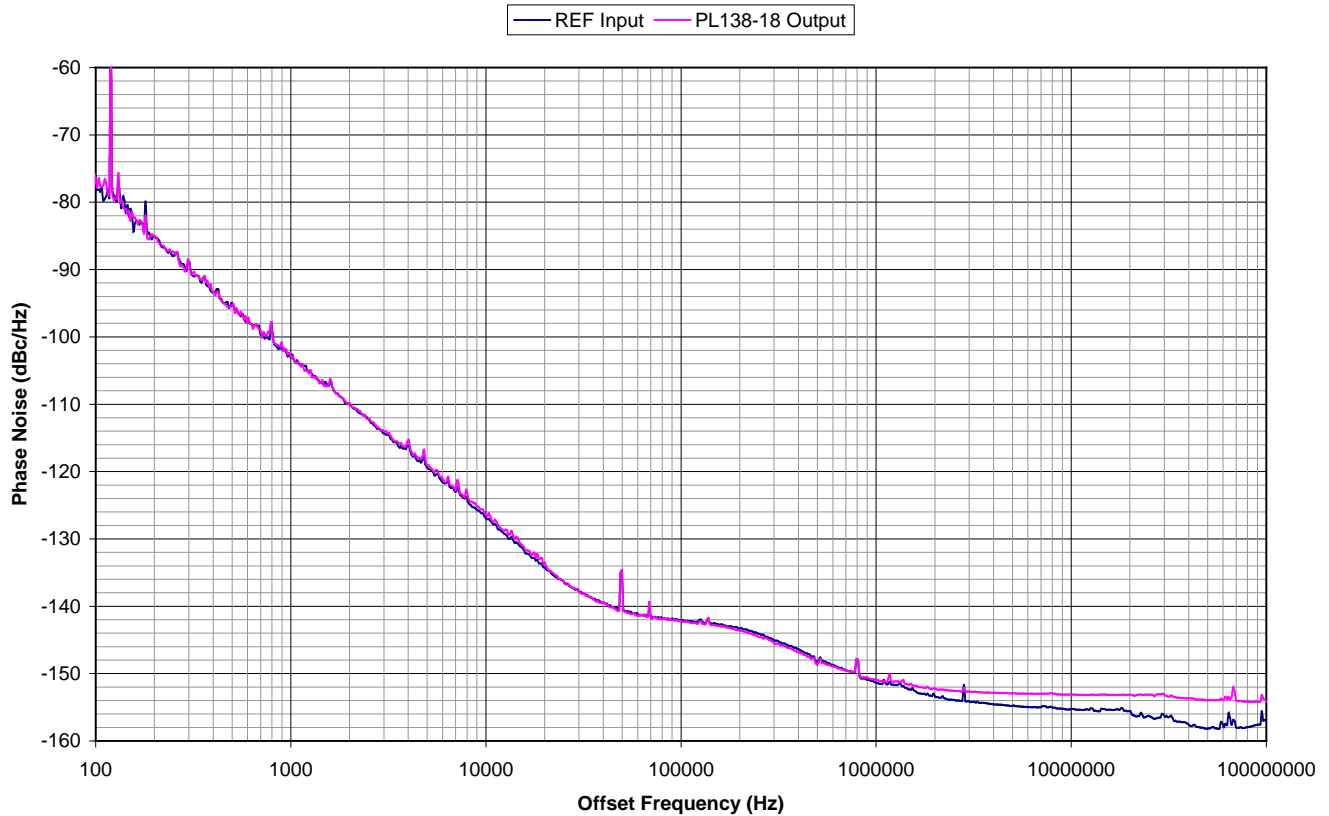
\*\*\* Defined as skew between outputs on different devices operating at the same supply voltages and with equal load conditions. Using the same type of inputs on each device, the outputs are measured at the differential cross points.

† This parameter is defined in accordance with JEDEC Standard 65.

## 2.5V-3.3V Low-Skew 1:10 Differential PECL Fanout Buffer

### NOISE CHARACTERISTICS (Commercial and Industrial Temperature Devices)

Parameter	Description	Test Conditions	Min.	Typ.	Max.	Unit
t <sub>APJ</sub>	Additive Phase Jitter	V <sub>CC</sub> = 3.3V, Frequency = 622.08MHz Offset = 12KHz ~ 20MHz		21		fs

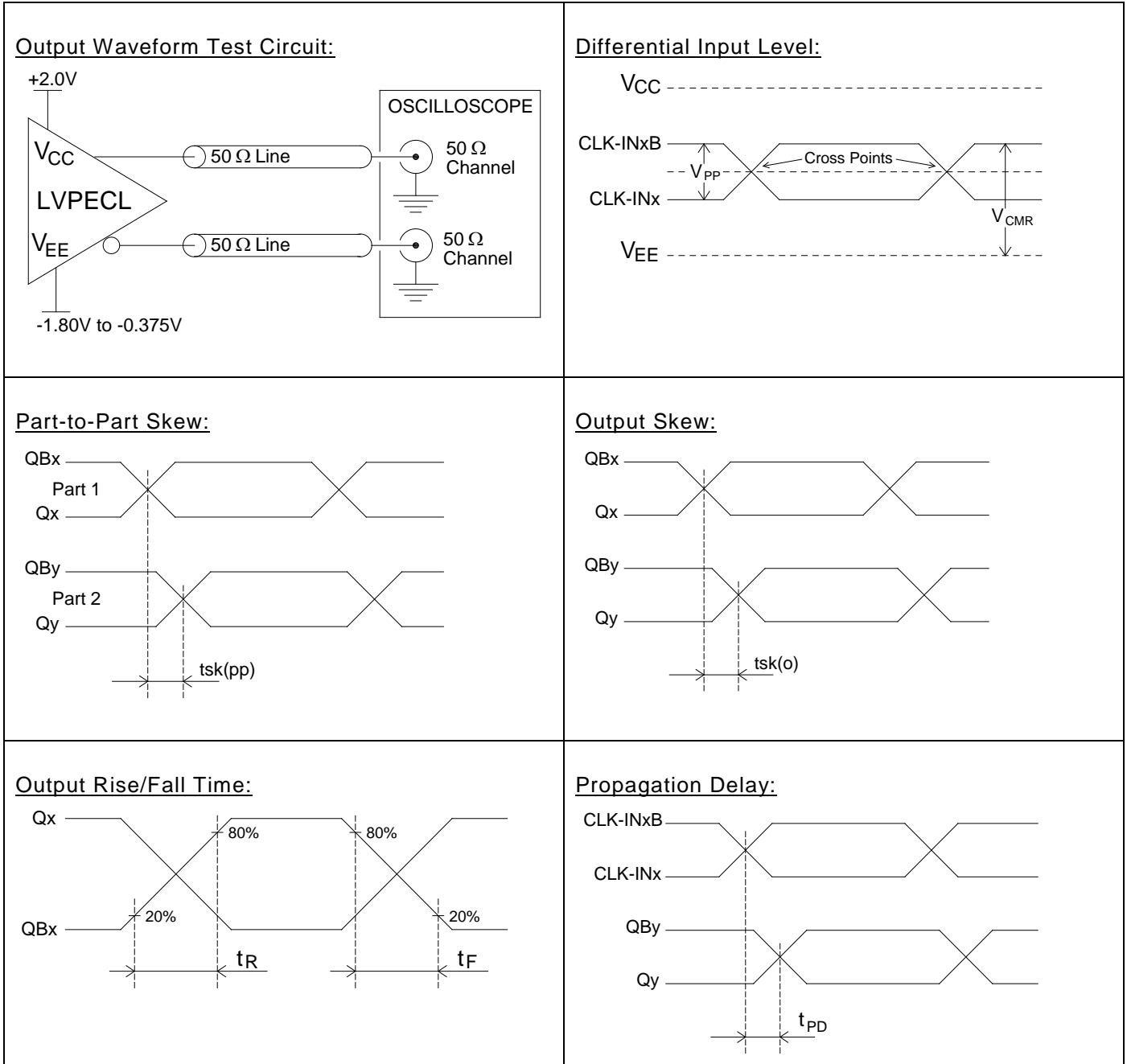


When a buffer is used to pass a signal then the buffer will add a little bit of its own noise. The phase noise on the output of the buffer will be a little bit more than the phase noise in the input signal. To quantify the noise addition in the buffer we compare the Phase Jitter numbers from the input and the output. The difference is called "Additive Phase Jitter". The formula for the Additive Phase Jitter is as follows:

$$\text{Additive Phase Jitter} = \sqrt{(\text{Output Phase Jitter})^2 - (\text{Input Phase Jitter})^2}$$

## 2.5V-3.3V Low-Skew 1:10 Differential PECL Fanout Buffer

### PARAMETER MEASUREMENT INFORMATION

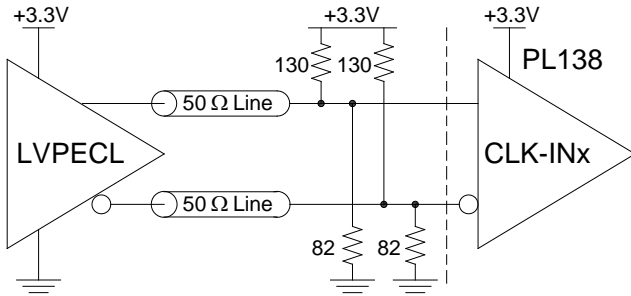


## 2.5V-3.3V Low-Skew 1:10 Differential PECL Fanout Buffer

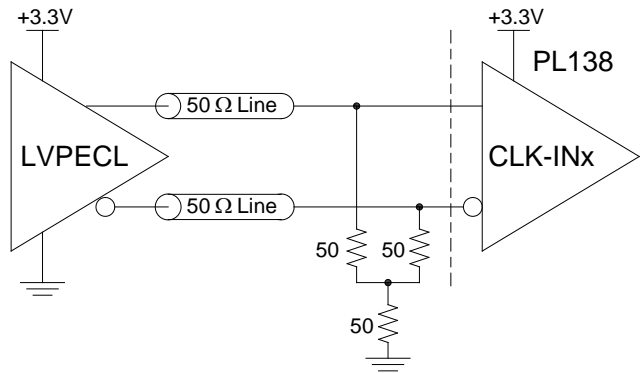
### APPLICATION INFORMATION

The following circuits show different configurations for different input logic type signals. For good signal integrity at the PL138 input, the signals need to be properly terminated according to the logic type requirements. The signals need to be presented at the PL138 input according to  $V_{CMR}$ ,  $V_{PP}$  and other input requirements.

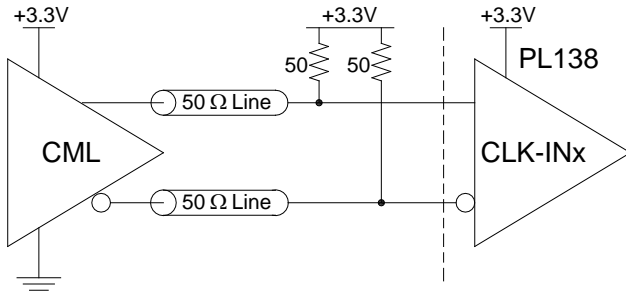
CLK-IN Input Driven by a 3.3V LVPECL Driver:



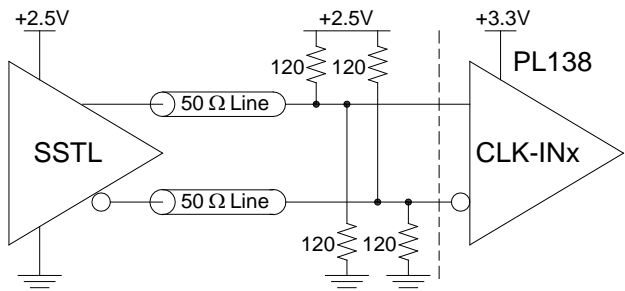
3.3V LVPECL Driver, Alternative Termination:



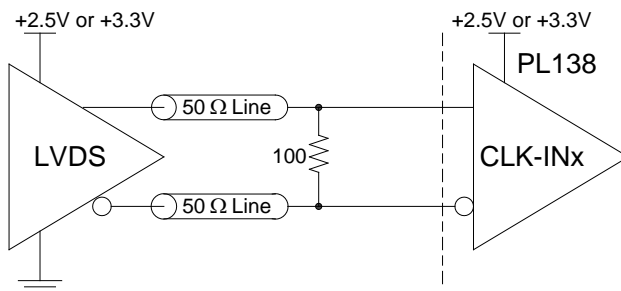
CLK-IN Input Driven by a CML Driver:



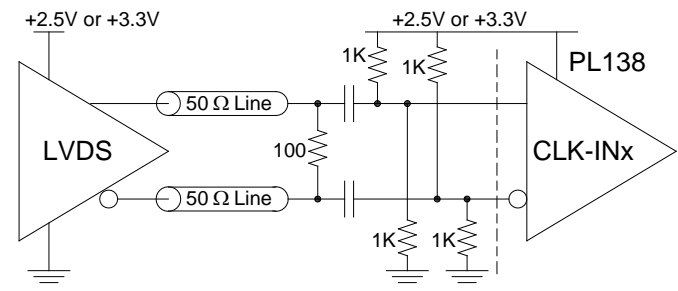
CLK-IN Input Driven by an SSTL Driver:



CLK-IN Input Driven by an LVDS Driver:



LVDS Driver, Alternative AC Coupling:



This circuit is for compatibility only. AC coupling is not really required for LVDS. The  $V_{CMR}$  range of the PL138 reaches low enough that LVDS signals can be connected directly to the PL138 input like in the circuit to the left.



## 2.5V-3.3V Low-Skew 1:10 Differential PECL Fanout Buffer

<p><u>CLK-IN Input Driven by a CMOS Driver:</u></p>	<p><u>CLK-IN Input Driven by Single Ended LVPECL:</u></p>
<p><u>CLK-IN Input Driven by an HCSL Driver:</u></p>	<p>HCSL presents its signals very close to the ground rail, below the <math>V_{CMR}</math> range, so the HCSL signals can not be connected to the PL138 input directly. AC coupling is required for HCSL signals on the PL138 input.</p>

### TERMINATION FOR LVPECL OUTPUTS

The required termination for LVPECL is  $50\Omega$  to a  $V_{CC}-2V$  DC voltage level. Below are two schematics to implement this termination.

<p><u>LVPECL Termination Schematic #1:</u></p>	<p><u>LVPECL Termination Schematic #2:</u></p>
<p>VCC=3.3V, Ideal values: <math>R1=127\Omega</math> , <math>R2=82.5\Omega</math>          Commercial values (E24): <math>R1=130\Omega</math> , <math>R2=82\Omega</math>          VCC=2.5V, Ideal values: <math>R1=250\Omega</math> , <math>R2=62.5\Omega</math>          Commercial values (E24): <math>R1=240\Omega</math> , <math>R2=62\Omega</math></p>	<p>Schematic #2 is an alternative simplified termination.          VCC=3.3V, Ideal value: <math>RT=48.7\Omega</math>          Commercial value: <math>RT=50\Omega</math> (E24: <math>51\Omega</math>)          VCC=2.5V, Ideal value: <math>RT=18.7\Omega</math>          Commercial value: <math>RT=18\Omega</math></p>

## 2.5V-3.3V Low-Skew 1:10 Differential PECL Fanout Buffer

### POWER CONSIDERATIONS

Driving LVPECL outputs requires an amount of power that can warm up the chip significantly. For driving 10 outputs we need to use the PCB as a heat sink. The LQFP package has a Thermal Relief pad on the bottom and it is advised to layout a PCB solder pad for the thermal relief pad with vias to the ground plane layer inside the PCB.

The general requirement for the chip is that the junction temperature should not exceed +110°C.

The power consumption can be divided into two parts:

- 1) Core power dissipation
- 2) Output buffers power dissipation

### CORE POWER DISSIPATION

The chip core power is equal to  $VCC \times IEE$ . With a worst case VCC and IEE the power dissipation in the core is  $3.63V \times 88mA = 319mW$ .

### OUTPUT BUFFER POWER DISSIPATION

The output buffers are not exposed to the full VCC-VEE voltage. On the differential output, one line is at logic 1 with a small voltage across the buffer and a large output current. The other line is at logic 0 with a larger voltage across the buffer and a smaller output current. The power dissipation per output buffer is 32mW. Only buffers that are loaded will have power dissipation. With all 10 buffers loaded the worst case output buffer power dissipation will be 320mW.

Total Chip Power Dissipation, worst case, is  $319mA + 320mW = 639mW$ .

### JUNCTION TEMPERATURE

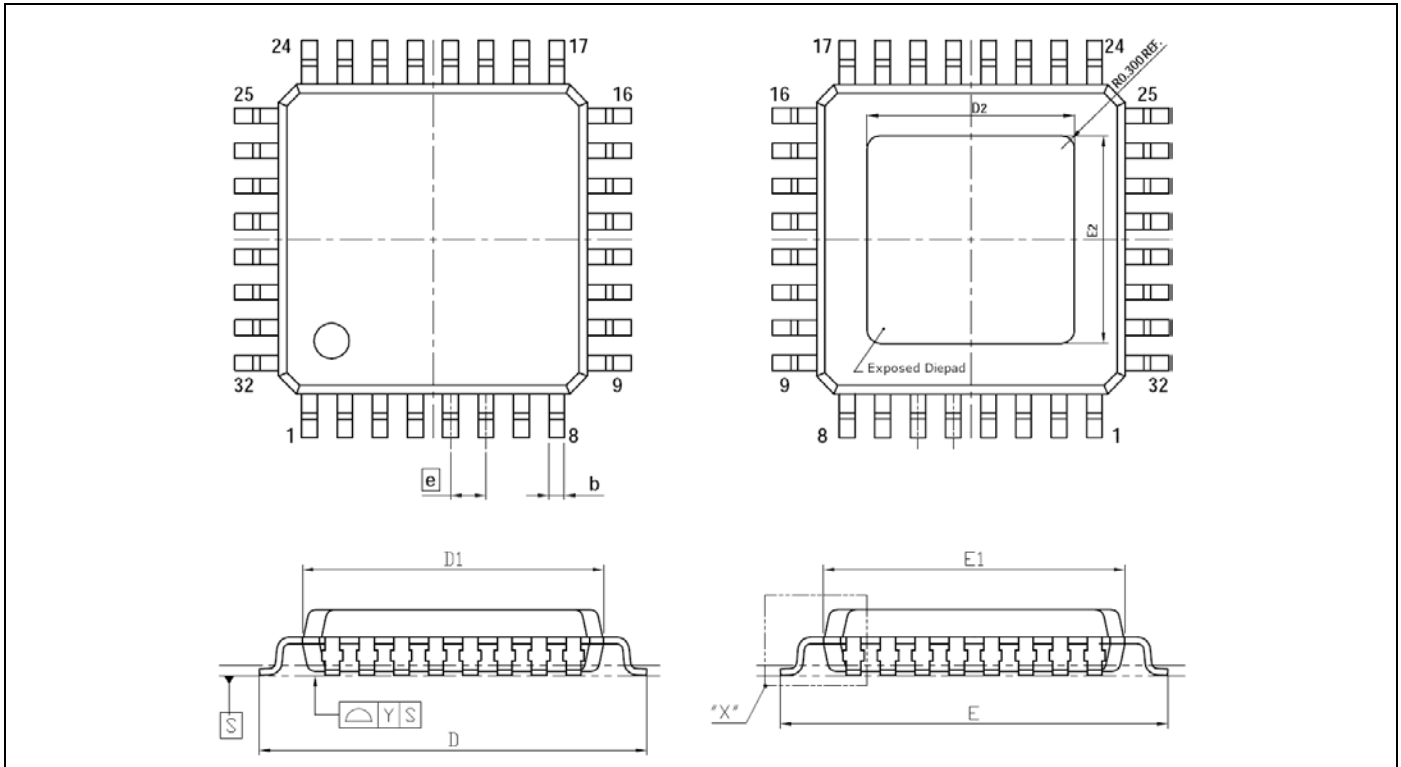
How much the chip is warmed up from the power dissipation depends upon the thermal resistance from the chip to the environment, also known as "junction to ambient". The thermal resistance depends upon the type of package, how the package is assembled to the PCB and if there is additional air flow for improved cooling. For the LQFP package with use of the Thermal Relief pad, the thermal resistance is as follows:

LQFP-ep 32-pin Package	Air Flow Velocity in Linear Feet per Minute		
	0	200	500
JEDEC Standard Multi Layer PCB	$\theta_{JA} = 34.6^{\circ}C/W$	$\theta_{JA} = 29.1^{\circ}C/W$	$\theta_{JA} = 27.2^{\circ}C/W$

The temperature of the chip (junction) will be higher than the environment (ambient) with an amount equal to  $\theta_{JA} \times$  Power. For an ambient temperature of +85°C, all outputs loaded and no air flow, the junction temperature  $T_J = 85^{\circ}C + 34.6 \times 0.639 = 107^{\circ}C$ .

## 2.5V-3.3V Low-Skew 1:10 Differential PECL Fanout Buffer

### PACKAGE DRAWING (GREEN PACKAGE COMPLIANT)



SYMBOL	DIMENSION (mm)			DIMENSION (mil)		
	MIN.	NOM.	MAX.	MIN.	NOM.	MAX.
A			1.60			63.0
A1	0.05	0.10	0.15	2.0	3.9	5.9
A2	1.35	1.40	1.45	53.1	55.1	57.1
b	0.30	0.37	0.45	11.8	14.6	17.7
b1	0.30	0.35	0.40	11.8	13.8	15.7
c	0.09		0.20	3.5		7.9
c1	0.09		0.16	3.5		6.3
D	8.85	9.00	9.15	348.4	354.3	360.2
D1	6.90	7.00	7.10	271.7	275.6	279.5
D2	4.51	4.71	4.91	177.6	185.4	193.3
E	8.85	9.00	9.15	348.4	354.3	360.2
E1	6.90	7.00	7.10	271.7	275.6	279.5
E2	4.51	4.71	4.91	177.6	185.4	193.3
e	0.75	0.80	0.85	29.5	31.5	33.5
L	0.45	0.60	0.75	17.7	23.6	29.5
L1	0.85	1.00	1.15	33.5	39.4	45.3
R1	0.08			3.1		
R2	0.08		0.20	3.1		7.9
Y			0.10			3.9
θ	0°	3.5°	7°	0°	3.5°	7°
θ1	0°			0°		
θ2	11°	12°	13°	11°	12°	13°
θ3	11°	12°	13°	11°	12°	13°

## 2.5V-3.3V Low-Skew 1:10 Differential PECL Fanout Buffer

### ORDERING INFORMATION (GREEN PACKAGE)

*For part ordering, please contact our Sales Department:*

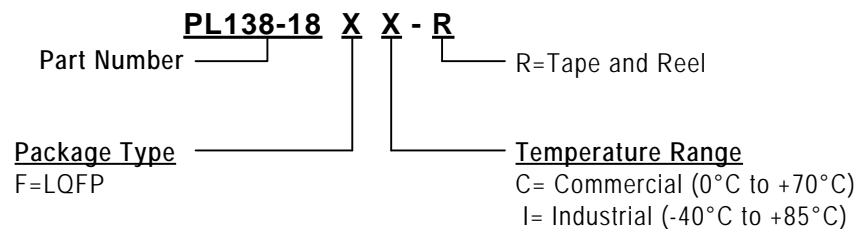
2180 Fortune Drive, San Jose, CA 95131, USA

Tel: (408) 944-0800 Fax: (408) 474-1000

#### PART NUMBER

The order number for this device is a combination of the following:

Part number, Package type and Operating temperature range



Part/Order Number	Marking	Package Option
PL138-18FC	P138-18 FC LLLLL	32-Pin LQFP (Tray)

\*Note: LLLLL designates lot number

*Micrel Inc., reserves the right to make changes in its products or specifications, or both at any time without notice. The information furnished by Micrel is believed to be accurate and reliable. However, Micrel makes no guarantee or warranty concerning the accuracy of said information and shall not be responsible for any loss or damage of whatever nature resulting from the use of, or reliance upon this product.*

**LIFE SUPPORT POLICY:** *Micrel's products are not authorized for use as critical components in life support devices or systems without the express written approval of the President of Micrel Inc.*