

阅读申明

- 1.本站收集的数据手册和产品资料都来自互联网，版权归原作者所有。如读者和版权方有任何异议请及时告之，我们将妥善解决。
- 2.本站提供的中文数据手册是英文数据手册的中文翻译，其目的是协助用户阅读，该译文无法自动跟随原稿更新，同时也可能存在翻译上的不当。建议读者以英文原稿为参考以便获得更精准的信息。
- 3.本站提供的产品资料，来自厂商的技术支持或者使用者的心得体会等，其内容可能存在描述上的差异，建议读者做出适当判断。
- 4.如需与我们联系，请发邮件到marketing@iczoom.com，主题请标有“数据手册”字样。

Read Statement

1. The datasheets and other product information on the site are all from network reference or other public materials, and the copyright belongs to the original author and original published source. If readers and copyright owners have any objections, please contact us and we will deal with it in a timely manner.
2. The Chinese datasheets provided on the website is a Chinese translation of the English datasheets. Its purpose is for reader's learning exchange only and do not involve commercial purposes. The translation cannot be automatically updated with the original manuscript, and there may also be improper translations. Readers are advised to use the English manuscript as a reference for more accurate information.
3. All product information provided on the website refer to solutions from manufacturers' technical support or users the contents may have differences in description, and readers are advised to take the original article as the standard.
4. If you have any questions, please contact us at marketing@iczoom.com and mark the subject with "Datasheets" .

General Description

The IDT5V925BI is a high-performance, low skew, low jitter phase-locked loop (PLL) clock driver. It provides precise phase and frequency alignment of its clock outputs to an externally applied clock input or internal crystal oscillator. The IDT5V925BI has been specially designed to interface with Gigabit Ethernet and Fast Ethernet applications by providing a 125MHz clock from 25MHz input. It can also be programmed to provide output frequencies ranging from 3.125MHz to 160MHz with input frequencies ranging from 3.125MHz to 80MHz.

The IDT5V925BI includes an internal RC filter that provides excellent jitter characteristics and eliminates the need for external components. When using the optional crystal input, the chip accepts a 10-30MHz fundamental mode crystal with a maximum equivalent series resistance of 50Ω. The on-chip crystal oscillator includes the feedback resistor and crystal capacitors (nominal load capacitance is 18pF).

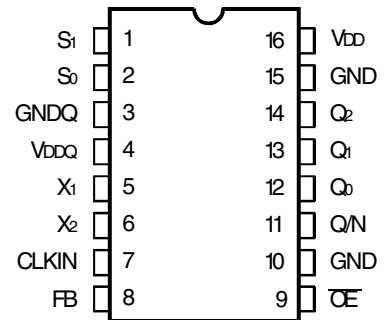
Applications

- Ethernet/fast ethernet
- Router
- Network switches
- SAN
- Instrumentation

Features

- 3V to 3.6V operating voltage
- 3.125MHz to 160MHz output frequency range
- Four programmable frequency LVCMOS/LVTTL outputs
- Input from fundamental crystal oscillator or external source
- Balanced drive outputs $\pm 12\text{mA}$
- PLL disable mode for low frequency testing
- Select inputs (S[1:0]) for divide selection (multiply ratio of 2, 3, 4, 5, 6, 7 and 8)
- 5V tolerant inputs
- Low output skew/jitter
- External PLL feedback, internal loop filter
- -40°C to 85°C ambient operating temperature
- Available in Lead-free (RoHS 6) package

Pin Assignment



IDT5V925BI

16 LEAD QSOP

0.194" x 0.236" x 0.058" package body

Q Package

Top View

Block Diagram

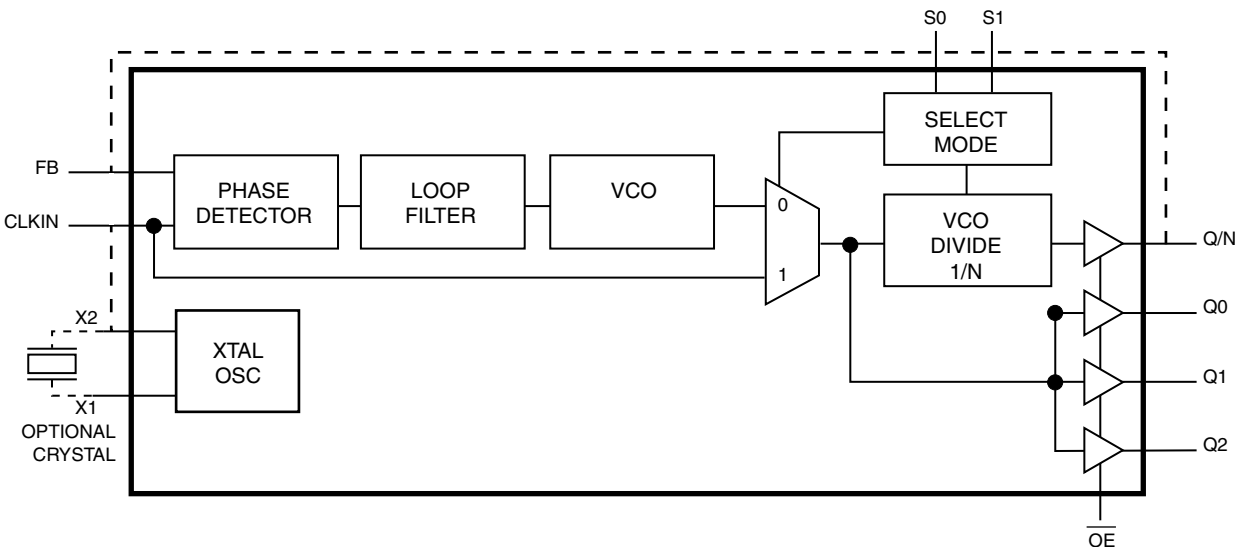


Table 1. Pin Descriptions

Number	Name	Type		Description
1, 2	S1, S0	Input	Pullup/ Pulldown	Three level divider/mode select pins. Float to MID.
3	GNDQ	Power		Ground supply for PLL.
4	V _{DDQ}	Power		Power supply for PLL.
5	X1 ⁽¹⁾	Input		Crystal oscillator input. Connected to GND if oscillator not required.
6	X2 ⁽¹⁾	Output		Crystal oscillator output. Leave unconnected for clock input.
7	CLKIN	Input		Clock input.
8	FB	Input		PLL feedback input which should be connected to Q/N output pin only. PLL locks onto positive edge of FB signal.
9	\overline{OE}	Input		High-Impedance output enable. When asserted HIGH, clock outputs are high impedance.
10, 15	GND	Power		Ground supply for output buffers.
11	Q/N	Output		Programmable divide-by-N clock output.
12, 13, 14	Q0, Q1, Q2	Output		Output at N*CLKIN frequency.
16	V _{DD}	Power		Power supply for output buffers.

NOTE: *Pullup and Pulldown* refer to internal input resistors. See Table 2, *Pin Characteristics*, for typical values.

NOTE 1: For best accuracy, use parallel resonant crystal specified for a load capacitance of 18pF.

Table 2. Pin Characteristics

Symbol	Parameter	Test Conditions	Minimum	Typical	Maximum	Units
C _{IN}	Input Capacitance	CLKIN, FB, \overline{OE}		4		pF
C _{PD}	Power Dissipation Capacitance (per output)	V _{DD} = 3.6V		15		pF
R _{PULLUP}	Input Pullup Resistor			47		k Ω
R _{PULLDOWN}	Input Pulldown Resistor			47		k Ω
R _{OUT}	Output Impedance	V _{DD} = 3.3V \pm 0.3V		16		Ω

Function Tables

Table 3A. Function Table

Output Used for Feedback	Allowable CLKIN Range (MHz) ^(1, 2)		Output Frequency Relationships	
	Minimum	Maximum	Q/N	Q[2:0]
Q/N	25/N	160/N	CLKIN	CLKIN x N

NOTE 1: Operation in the specified CLKIN frequency range guarantees that the VCO will operate in the optimal range of 25MHz to 160MHz. Operation with CLKIN outside specified frequency ranges may result in invalid or out-of-lock outputs.

NOTE 2: Q[2:0] are not allowed to be used as feedback.

Table 3B. Divide Selection Table ⁽¹⁾

S1	S0	Divide-by-N Value	Mode
L	L	Factory Test ⁽²⁾	
L	M	2	PLL
L	H	3	PLL
M	L	4	PLL
M	M	5 ⁽³⁾ (default)	PLL
M	H	6	PLL
H	L	7	PLL
H	M	8	PLL
H	H	16	TEST ⁽⁴⁾

NOTE 1: H = HIGH, M = MEDIUM, L = LOW.

NOTE 2: Factory Test Mode: operation not specified.

NOTE 3: Ethernet mode (use a 25MHz input frequency and Q/N as feedback).

NOTE 4: Test mode for low frequency testing. In this mode, CLKIN bypasses the VCO (VCO powered down). Frequency must be > 1MHz due to dynamic circuits in the frequency dividers. Q[2:0] outputs are divided by 2 in test mode.

Absolute Maximum Ratings

NOTE: Stresses beyond those listed under *Absolute Maximum Ratings* may cause permanent damage to the device. These ratings are stress specifications only. Functional operation of product at these conditions or any conditions beyond those listed in the *DC Characteristics* or *AC Characteristics* is not implied. Exposure to absolute maximum rating conditions for extended periods may affect product reliability.

Item	Rating
Supply Voltage to Ground, V_{TERM}	-0.5V to +4.6V
DC Input Voltage, V_{IN}	-0.5V to +4.6V
DC Output Voltage, V_{OUT}	-0.5 to $V_{DD} + 0.5V$
Maximum Power Dissipation, $T_A = 85^\circ C$	0.55W
Storage Temperature, T_{STG}	-65°C to +150°C
Package Thermal Impedance, θ_{JA}	72.3°C/W

Operating Conditions

Symbol	Description	Minimum	Typical	Maximum	Units
V_{DD} / V_{DDQ}	Power Supply Voltage	3.0	3.3	3.6	V
T_A	Operating Temperature	-40	+25	+85	°C

DC Electrical Characteristics

Table 4A. Power Supply DC Characteristics, $V_{DD} = 3.3V \pm 0.3V$, $T_A = -40^\circ C$ to $85^\circ C$

Symbol	Parameter	Test Conditions	Minimum	Typical	Maximum	Units
I_{DDQ}	Quiescent Supply Current	$V_{DD} = V_{DDQ} = 3.6V$; CLKIN = 2.5MHz; S[1:0] = MM, $\overline{OE} = H$, All Outputs Unloaded		2	4	mA
I_{DD}	Static Supply Current	$V_{DD} = V_{DDQ} = 3.6V$; S[1:0] = MM, $\overline{OE} = H$, All Outputs Unloaded		83	102	mA
	Dynamic Supply Current	$V_{DD} = V_{DDQ} = 3.6V$, $f_{OUT} = 70MHz$; S[1:0] = LM, $\overline{OE} = GND$, All Outputs Loaded with 50Ω to GND		80	160	mA

NOTE: H = HIGH, M = MEDIUM, L = LOW

Table 4B. LVCMOS/LVTTL DC Characteristics, $V_{DD} = 3.3V \pm 0.3V$, $T_A = -40^\circ\text{C}$ to 85°C

Symbol	Parameter	Test Conditions	Minimum	Typical	Maximum	Units
V_{IL}	Input Low Voltage				0.8	V
V_{IH}	Input High Voltage		2			V
V_{IHH}	Input High Voltage	S[1:0] 3-Level Input Only	$V_{DD} - 0.6$			V
V_{IMM}	Input Mid Voltage	S[1:0] 3-Level Input Only	$V_{DD}/2 - 0.3$		$V_{DD}/2 + 0.3$	V
$V_{ILL}^{(1)}$	Input Low Voltage	S[1:0] 3-Level Input Only			0.6	V
$I_{IN}^{(1)}$	Input Leakage Current	CLKIN, FB $V_{IN} = V_{DD}$ or GND, $V_{DD} = \text{Max.}$	-5		+5	μA
$I_3^{(1)}$	3-Level Input DC Current	$V_{IN} = V_{DD}$, HIGH Level			200	μA
		$V_{IN} = V_{DD}/2$, MID Level	-50		+50	μA
		$V_{IN} = \text{GND}$, LOW Level	-200			μA
I_{IH}	Input High Current	$V_{IN} = V_{DD}$	-5	0.07	± 5	μA
V_{OL}	Output Low Voltage	$I_{OL} = 12\text{mA}$		0.15	0.55	V
V_{OH}	Output High Voltage	$I_{OH} = -12\text{mA}$	2.4	2.8		V

NOTE: Conditions apply unless otherwise specified.

NOTE 1: These inputs are normally wired to V_{DD} , GND, or unconnected. If the inputs are switched in real time, the function and timing of the outputs may glitch, and the PLL may require an additional lock time before all the datasheet limits are achieved.

Table 5. Crystal Characteristics

Parameter	Test Conditions	Minimum	Typical	Maximum	Units
Mode of Oscillation		Fundamental			
Frequency		10		30	MHz
Equivalent Series Resistance (ESR)				50	Ω
Shunt Capacitance				7	pF

NOTE: Characterized using an 18pF parallel resonant crystal.

AC Electrical Characteristics

Table 6A. AC Characteristics, $V_{DD} = 3.3V \pm 0.3V$, $T_A = -40^{\circ}C$ to $85^{\circ}C$

Symbol	Parameter	Test Conditions	Minimum	Typical	Maximum	Units
t_R / t_F	Rise and Fall Time; NOTE 1	0.8V to 2V		0.7	1.8	ns
odc	Output Duty Cycle; NOTE 1, 2		44		56	%
t_{PD}	Propagation Delay; NOTE 1, 2	CLKIN to FB	50		450	ps
$t_{sk(o)}$	Output-to-Output Skew; NOTE 1, 3, 4	Q[2:0]			110	ps
		Q/N - Q[2:0]			450	ps
$t_{jit(cc)}$	Cycle-to-Cycle Jitter; NOTE 1, 3				300	ps
f_{OUT}	Output Frequency		25		160	MHz

NOTE: Electrical parameters are guaranteed over the specified ambient operating temperature range, which is established when the device is mounted in a test socket with maintained transverse airflow greater than 500 lfpm. The device will meet specifications after thermal equilibrium has been reached under these conditions.

NOTE: JEDEC Standard 65.

NOTE 1: Guaranteed by design but not production tested.

NOTE 2: Measured from $V_{DD}/2$ of the input crossing point to the output at $V_{DD}/2$.

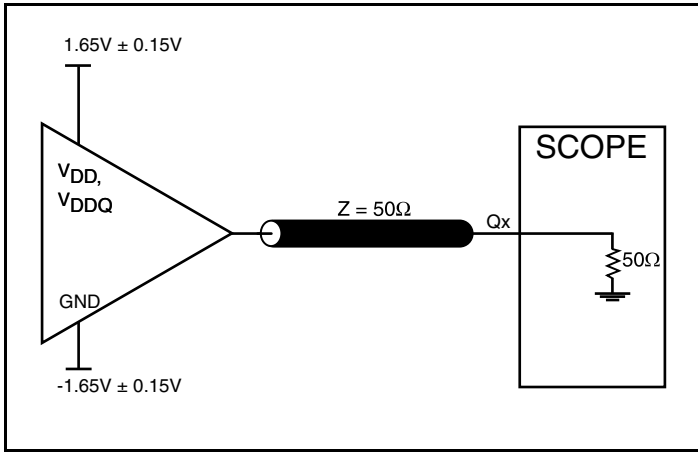
NOTE 3: This parameter is defined in accordance with JEDEC Standard 65.

NOTE 4: Defined as skew between outputs at the same supply voltage and with equal load conditions. Measured at $V_{DD}/2$.

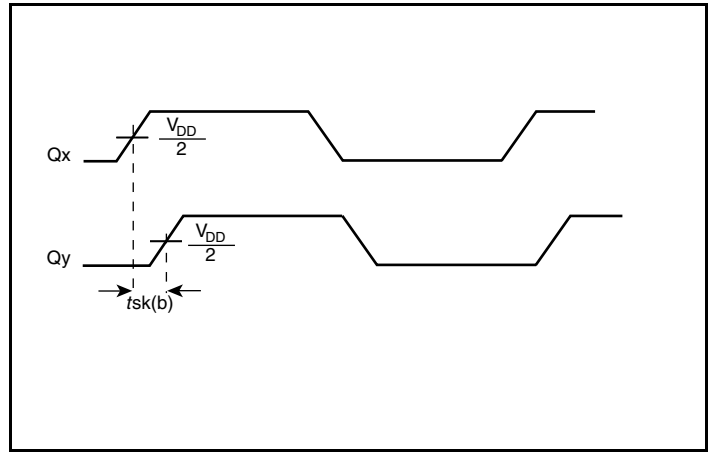
Table 6B. Input Timing Requirements, $T_A = -40^{\circ}C$ to $85^{\circ}C$

Symbol	Parameter	Test Conditions	Minimum	Maximum	Units
f_{osc}	Crystal Oscillator Frequency		10	30	MHz
f_{IN}	Input Frequency		25/N	160/N	MHz

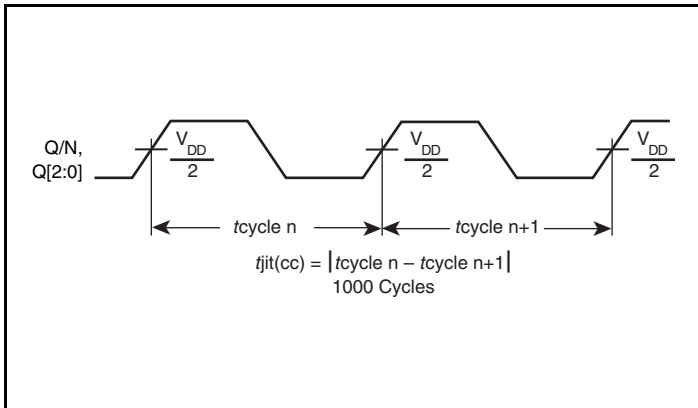
Parameter Measurement Information



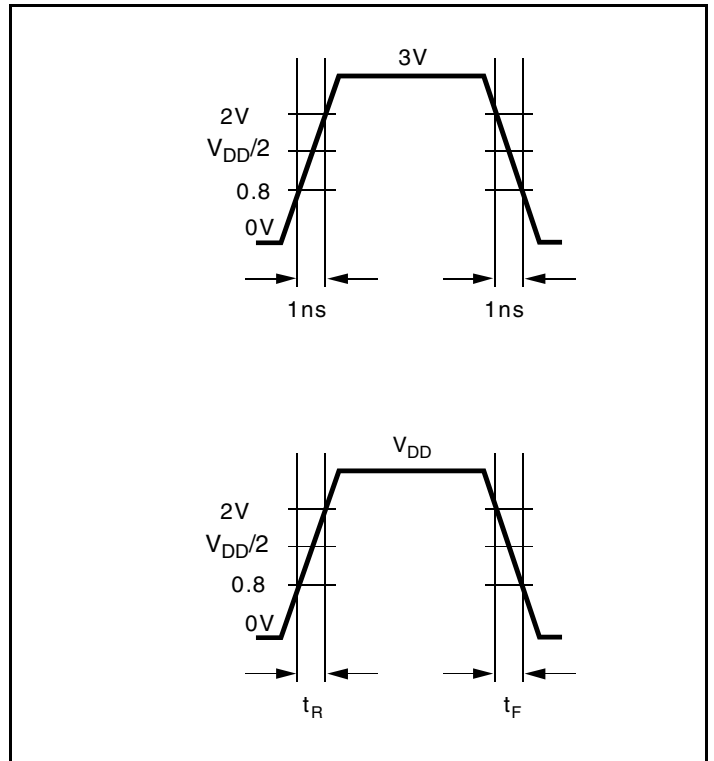
LVC MOS Output Load AC Test Circuit



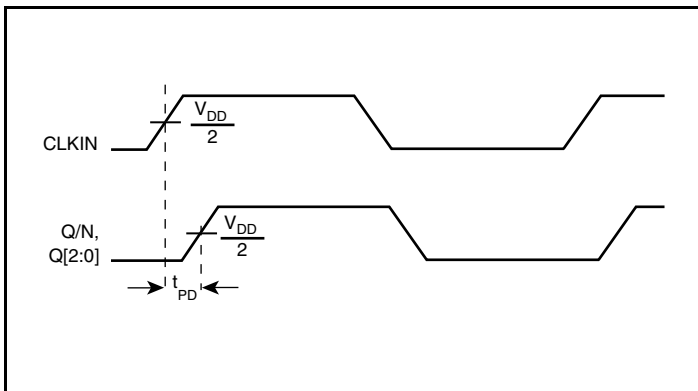
Output Skew



Cycle-to-Cycle Jitter

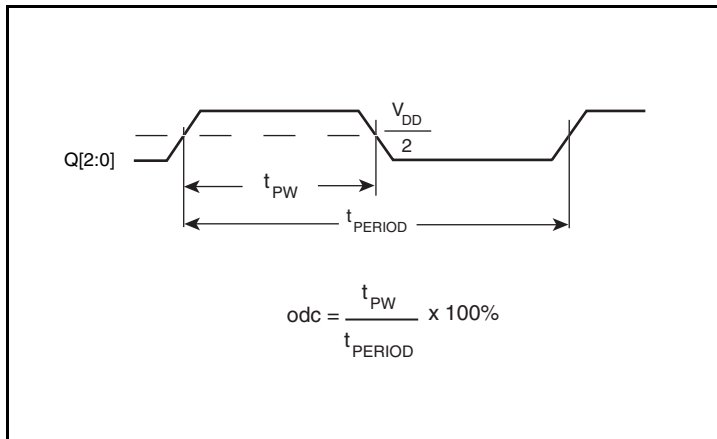


Input and Output Test Waveforms



Propagation Delay

Parameter Measurement Information, continued



Output Duty Cycle/Pulse Width/Period

Applications Information

Recommendations for Unused Input and Output Pins

Inputs:

CLKIN Input

For applications not requiring the use of a clock input, but using the crystal interface, the CLKIN input has to be connected to X2 (output of the crystal oscillator). See Figure 3.

Crystal Inputs

For applications not requiring the use of the crystal oscillator, X2 should be left floating and X1 should be tied to ground. See Figure 2.

LVC MOS Control Pins

All control pins have internal pullups or pulldowns; additional resistance is not required but can be added for additional protection. A 1 k Ω resistor can be used.

Outputs:

LVC MOS Outputs

All unused LVC MOS output can be left floating. There should be no trace attached.

How to Use the IDT5V925BI

The IDT5V925BI is a general-purpose phase-locked loop (PLL) that can be used as a zero delay buffer or a clock multiplier. It generates three outputs at the VCO frequency and one output at the VCO frequency divided by n, where n is determined by the Mode/Frequency Select input pins S0 and S1. The PLL will adjust the VCO frequency (within the limits of the Function Table) to ensure that the input frequency equals the Q/N frequency.

The IDT5V925BI can accept two types of input signals. The first is a reference clock generated by another device on the board which needs to be reproduced with a minimal delay between the incoming clock and output. The second is an external crystal. When used in the first mode, the crystal input (X1) should be tied to ground and the crystal output (X2) should be left unconnected.

By connecting Q/N to FB (see Figure 1), the IDT5V925BI not only becomes a zero delay buffer, but also a clock multiplier. With proper selection of S0 and S1, the Q0–Q2 outputs will generate two, three, or up to eight times the input clock frequency. Make sure that the input and output frequency specifications are not violated (refer to Function Table). There are some applications where higher fan-out is required. These kinds of applications could be addressed by using the IDT5V925BI in conjunction with a clock buffer such as the 49FCT3805. Figure 2 shows how higher fan-out with different clock rates can be generated.

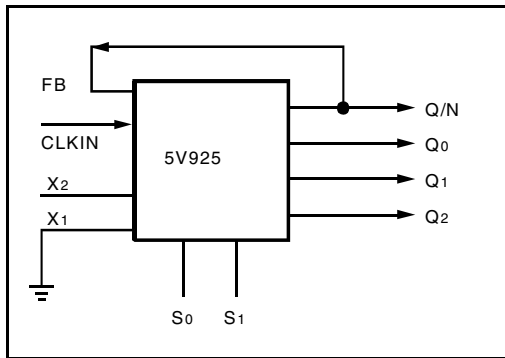


Figure 1

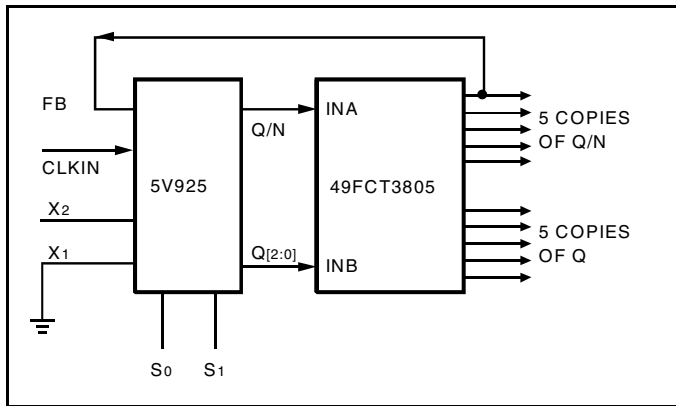


Figure 2

By connecting one of the 49FCT3505 outputs to the FB input of the IDT5V925BI, the propagation delay from CLKIN to the output of the 49FCT3505 will be nearly zero. To ensure PLL stability, only one 49FCT3505 should be included between Q/N and FB.

The second way to drive the input of the IDT5V925BI is via an external crystal. When connecting an external crystal to pins 5 and 6, the X2 pin must be shorted to the CLKIN (pin 7) as shown in Figure 3. To reduce the parasitic between the external crystal and the IDT5V925BI, it is recommended to connect the crystal as close as possible to the X1 and X2 pins.

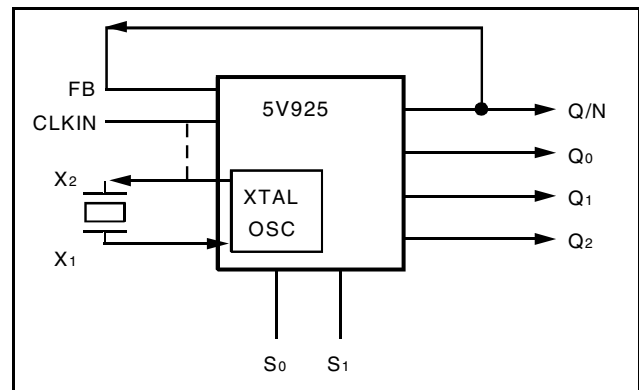


Figure 3

One of the questions often asked is what is the accuracy of our clock generators? In applications where clock synthesizers are used, the terms frequency accuracy and frequency error are used interchangeably. Here, frequency accuracy (or error) is based on two factors. One is the input frequency and the other is the multiplication factor. Clock multipliers (or synthesizers) are governed by the equation:

$$F_{OUT} = \frac{M}{N} \times F_{IN}$$

Where “M” is the feedback divide and “N” is the reference divide. If the ratio of M/N is not an integer, then the output frequency will not be an exact multiple of the input. On the other hand, if the ratio is a whole number, the output clock would be an exact multiple of the input. In the case of IDT5V925BI, since the reference divide (“N”) is “1”, the equation is a strong function of the feedback divide (“M”). In addition, since the feedback is an integer, the output frequency error (or accuracy) is merely a function of how accurate the input is. For instance, IDT5V925BI could accept two forms of input, one from a crystal oscillator (see Figure 1) and the other from a crystal (see Figure 3). By using a 20MHz clock with a multiplication factor of 5 (with an accuracy of ±30 parts per million), one can easily have three copies of 100MHz of clock with ±30ppm of accuracy. Frequency accuracy is defined by the following equation:

$$\text{Accuracy} = \frac{\text{Measured Frequency} - \text{Nominal Frequency} \times 10^6}{\text{Nominal Frequency}}$$

Where measured frequency is the average frequency over certain number of cycles (typically 10,000) and the nominal frequency is the desired frequency.

Schematic Examples

Figures 4A and 4B show an examples of IDT5V925BI application schematic. In Figure 4A example, the device is operated at $V_{DD} = V_{DDQ} = 3.3V$. The 18pF parallel resonant 25MHz crystal is used. The load capacitance, $C1 = 27pF$ and $C2 = 27pF$ are recommended for frequency accuracy. Depending on the parasitics of the printed circuit board layout, these values might require a slight adjustment to optimize the frequency accuracy. Crystals with other load capacitance specifications can be used. This will required adjusting

$C1$ and $C2$. In Figure 4B example, the LVCMOS clock reference input is used.

As with any high speed analog circuitry, the power supply pins are vulnerable to noise. To achieve optimum jitter performance, power supply isolation is required. The IDT5V925BI provides separate power supplies to isolate from coupling into the internal PLL.

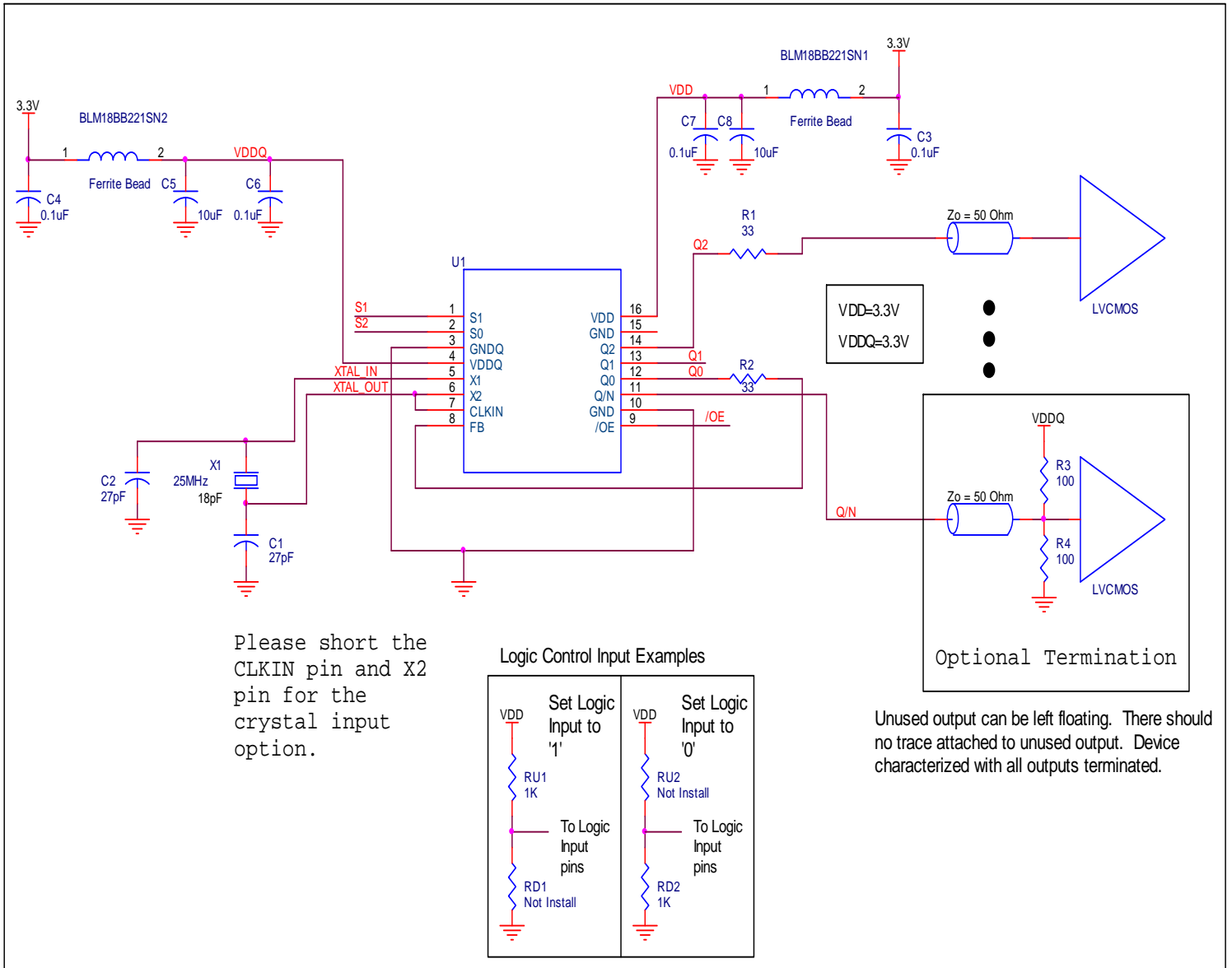


Figure 4A. IDT5V925BI Application Schematic with Crystal Input Reference

Schematic Examples, continued

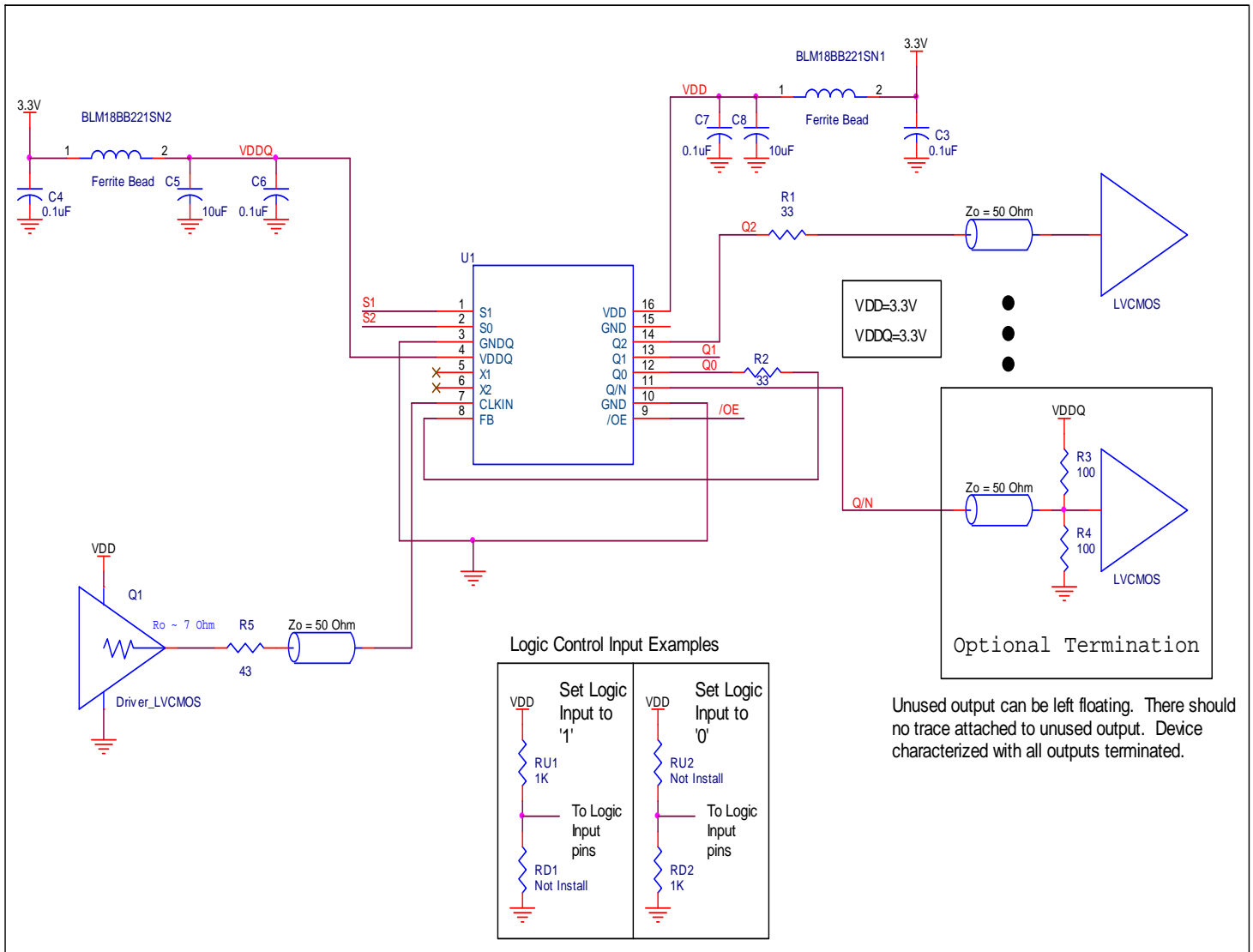


Figure 4B. IDT5V925BI Application Schematic with LVCMOS Reference Clock Input

In order to achieve the best possible filtering, it is recommended that the placement of the filter components be on the device side of the PCB as close to the power pins as possible. If space is limited, the 0.1uF capacitor in each power pin filter should be placed on the device side of the PCB and the other components can be placed on the opposite side.

Power supply filter recommendations are a general guideline to be used for reducing external noise from coupling into the devices. The filter performance is designed for wide range of noise frequencies. This low-pass filter starts to attenuate noise at approximately 10kHz.

If a specific frequency noise component is known, such as switching power supply frequencies, it is recommended that component values be adjusted and if required, additional filtering be added. Additionally, good general design practices for power plane voltage stability suggests adding bulk capacitances in the local area of all devices.

The schematic example focuses on functional connections and is not configuration specific. Refer to the pin description and functional tables in the datasheet to ensure the logic control inputs are properly set.

Power Considerations

This section provides information on power dissipation and junction temperature for the IDT5V925BI. Equations and example calculations are also provided.

1. Power Dissipation.

The total power dissipation for the IDT5V925BI is the sum of the core power plus the power dissipation in the load(s). The following is the power dissipation for $V_{DD} = 3.3V + 0.3V = 3.6V$, which gives worst case results.

The maximum current at 85°C is as follows:

$$I_{DD_MAX(Static)} = 102mA$$

$$I_{DDQ_MAX} = 4mA$$

$$C_L = 5pF$$

N = number of outputs

$$C_{PD} = 15pF$$

Core Output Power Dissipation

- Power (core)_{MAX} = $V_{DD_MAX} * (I_{DD_MAX(Static)} + I_{DDQ_MAX}) = 3.6V * (102mA + 4mA) = \mathbf{382mW}$

LVCMOS Output Power Dissipation

- Output Impedance R_{OUT} Power Dissipation due to Loading 50Ω to $V_{DD}/2$
Output Current $I_{OUT} = V_{DD_MAX} / [2 * (50\Omega + R_{OUT})] = 3.6V / [2 * (50\Omega + 16\Omega)] = \mathbf{27.3mA}$
- Power Dissipation on the R_{OUT} per LVCMOS output
Power (R_{OUT}) = $R_{OUT} * (I_{OUT})^2 = 16\Omega * (27.3mA)^2 = \mathbf{11.9mW}$ per output
- Total Power Dissipation on the R_{OUT}
Total Power (R_{OUT}) = $11.9mW * 3 = \mathbf{35.7mW}$

Dynamic Power Dissipation

- Dynamic Power Dissipation at 160MHz
Total Power (160MHz) = $[(C_{PD} + C_L) * N] * Frequency * (V_{DD})^2 = [(15pF + 5pF) * 3] * 160MHz * (3.6V)^2 = \mathbf{124.4mW}$

Total Power Dissipation

- Total Power**
= Power (core) + Total Power (R_{OUT}) + Total Power (160MHz)
= $382mW + 35.7mW + 124.4mW$
= **542mW**

2. Junction Temperature.

Junction temperature, T_j , is the temperature at the junction of the bond wire and bond pad, and directly affects the reliability of the device. The maximum recommended junction temperature is 125°C. Limiting the internal transistor junction temperature, T_j , to 125°C ensures that the bond wire and bond pad temperature remains below 125°C.

The equation for T_j is as follows: $T_j = \theta_{JA} * Pd_total + T_A$

T_j = Junction Temperature

θ_{JA} = Junction-to-Ambient Thermal Resistance

Pd_total = Total Device Power Dissipation (example calculation is in section 1 above)

T_A = Ambient Temperature

In order to calculate junction temperature, the appropriate junction-to-ambient thermal resistance θ_{JA} must be used. Assuming no air flow and a multi-layer board, the appropriate value is 72.3°C/W per Table 7 below.

Therefore, T_j for an ambient temperature of 85°C with all outputs switching is:

$$85^\circ\text{C} + 0.542\text{W} * 72.3^\circ\text{C/W} = 124.2^\circ\text{C}. \text{ This is below the limit of } 125^\circ\text{C}.$$

This calculation is only an example. T_j will obviously vary depending on the number of loaded outputs, supply voltage, air flow and the type of board (multi-layer).

Table 7. Thermal Resistance θ_{JA} for 16-lead QSOP, Forced Convection

Meters per Second	θ_{JA} by Velocity		
	0	1	2.5
Multi-Layer PCB, JEDEC Standard Test Boards	72.3°C/W	64.4°C/W	60.0°C/W

Reliability Information

Table 8. θ_{JA} vs. Air Flow Table for a Q Suffix, 16-lead QSOP

θ_{JA} by Velocity			
Meters per Second	0	1	2.5
Multi-Layer PCB, JEDEC Standard Test Boards	72.3°C/W	64.4°C/W	60.0°C/W

Package Outline and Package Dimensions

Package Outline - Q Suffix for 16 Lead QSOP

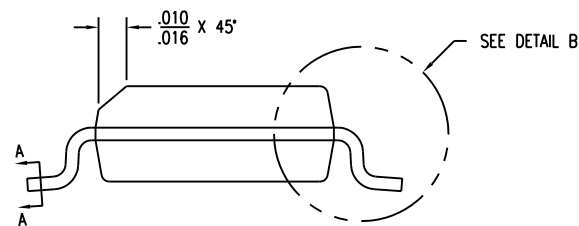
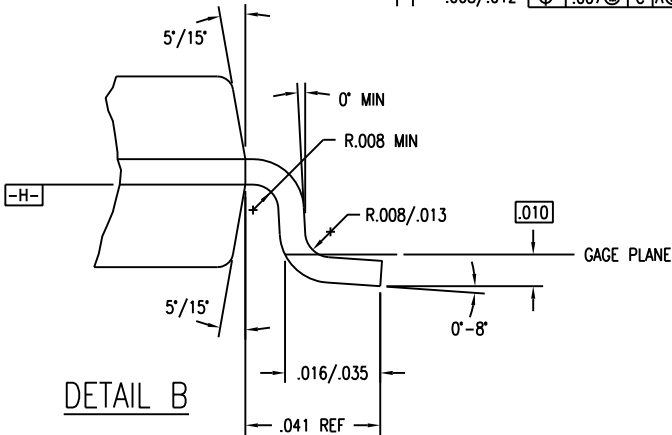
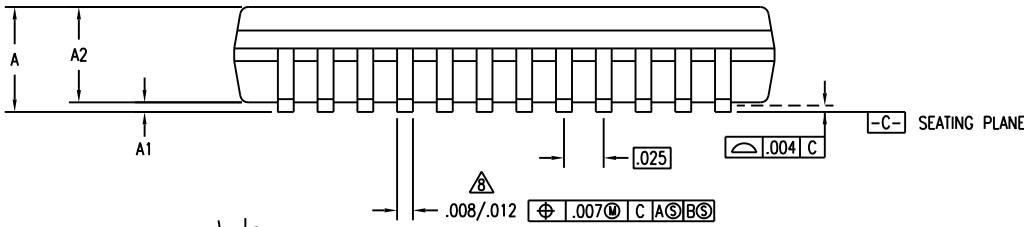
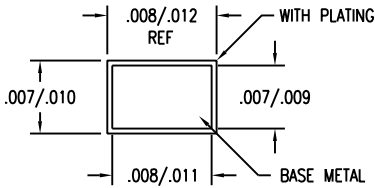
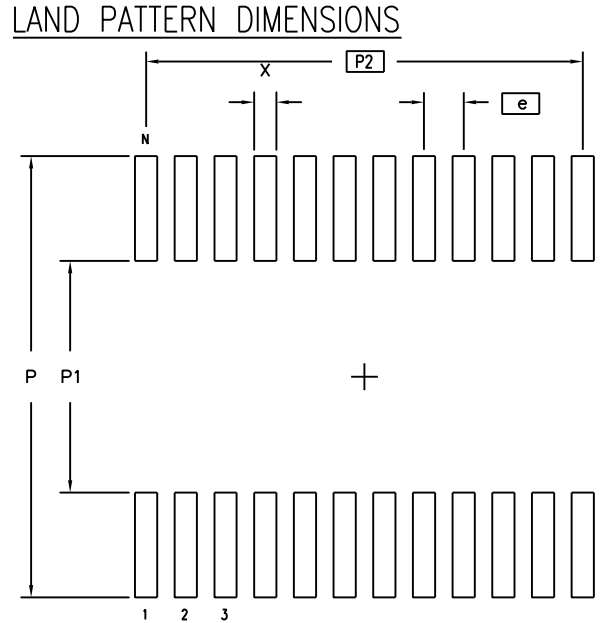
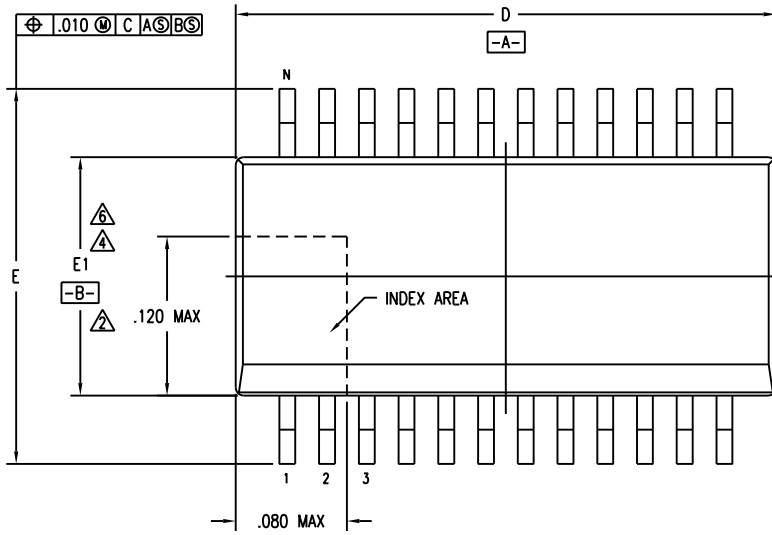


Table 9. Package Dimensions

JEDEC Variation: AB			
All Dimensions in Inches			
Symbol	Minimum	Nominal	Maximum
N	16		
A	0.061	0.064	.068
A1	0.004	0.006	0.010
A2	0.055	0.058	0.061
D	0.189	0.194	0.196
E	0.230	0.236	0.244
E1	0.150	0.155	0.157
P	0.274		0.282
P1	0.142		0.150
P2	0.175 Basic		
e	0.025 Basic		
x	0.010		0.018

Ref. Document: IDT PC/PCG Package Outline, Dwg# PSC-4040

Ordering Information

Table 10. Ordering Information

Part/Order Number	Marking	Package	Shipping Packaging	Temperature
5V925BQGI	IDT5V925BQGI	"Lead-Free" 16 Lead QSOP	Tube	-40°C to 85°C
5V925BQGI8	IDT5V925BQGI	"Lead-Free" 16 Lead QSOP	3000 Tape & Reel	-40°C to 85°C

NOTE: Parts that are ordered with an "G" suffix to the part number are the Pb-Free configuration and are RoHS compliant.

While the information presented herein has been checked for both accuracy and reliability, Integrated Device Technology (IDT) assumes no responsibility for either its use or for the infringement of any patents or other rights of third parties, which would result from its use. No other circuits, patents, or licenses are implied. This product is intended for use in normal commercial and industrial applications. Any other applications, such as those requiring high reliability or other extraordinary environmental requirements are not recommended without additional processing by IDT. IDT reserves the right to change any circuitry or specifications without notice. IDT does not authorize or warrant any IDT product for use in life support devices or critical medical instruments.

Revision History Sheet

Rev	Table	Page	Description of Change	Date
B		8 10	Applications for Unused I/O Pins application note - corrected Input descriptions. Deleted Overdriving the XTAL Interface application note.	1/21/11
C	10	16	Removed leaded parts from ordering information table	01/07/13

We've Got Your Timing Solution



6024 Silver Creek Valley Road
San Jose, California 95138

Sales

800-345-7015 (inside USA)
+408-284-8200 (outside USA)
Fax: 408-284-2775
www.IDT.com/go/contactIDT

Technical Support

netcom@idt.com
+480-763-2056

DISCLAIMER Integrated Device Technology, Inc. (IDT) and its subsidiaries reserve the right to modify the products and/or specifications described herein at any time and at IDT's sole discretion. All information in this document, including descriptions of product features and performance, is subject to change without notice. Performance specifications and the operating parameters of the described products are determined in the independent state and are not guaranteed to perform the same way when installed in customer products. The information contained herein is provided without representation or warranty of any kind, whether express or implied, including, but not limited to, the suitability of IDT's products for any particular purpose, an implied warranty of merchantability, or non-infringement of the intellectual property rights of others. This document is presented only as a guide and does not convey any license under intellectual property rights of IDT or any third parties.

IDT's products are not intended for use in life support systems or similar devices where the failure or malfunction of an IDT product can be reasonably expected to significantly affect the health or safety of users. Anyone using an IDT product in such a manner does so at their own risk, absent an express, written agreement by IDT.

Integrated Device Technology, IDT and the IDT logo are registered trademarks of IDT. Other trademarks and service marks used herein, including protected names, logos and designs, are the property of IDT or their respective third party owners.

Copyright 2013. All rights reserved.