

## 阅读申明

- 1.本站收集的数据手册和产品资料都来自互联网，版权归原作者所有。如读者和版权方有任何异议请及时告之，我们将妥善解决。
- 2.本站提供的中文数据手册是英文数据手册的中文翻译，其目的是协助用户阅读，该译文无法自动跟随原稿更新，同时也可能存在翻译上的不当。建议读者以英文原稿为参考以便获得更精准的信息。
- 3.本站提供的产品资料，来自厂商的技术支持或者使用者的心得体会等，其内容可能存在描述上的差异，建议读者做出适当判断。
- 4.如需与我们联系，请发邮件到marketing@iczoom.com，主题请标有“数据手册”字样。

## Read Statement

1. The datasheets and other product information on the site are all from network reference or other public materials, and the copyright belongs to the original author and original published source. If readers and copyright owners have any objections, please contact us and we will deal with it in a timely manner.
2. The Chinese datasheets provided on the website is a Chinese translation of the English datasheets. Its purpose is for reader's learning exchange only and do not involve commercial purposes. The translation cannot be automatically updated with the original manuscript, and there may also be improper translations. Readers are advised to use the English manuscript as a reference for more accurate information.
3. All product information provided on the website refer to solutions from manufacturers' technical support or users the contents may have differences in description, and readers are advised to take the original article as the standard.
4. If you have any questions, please contact us at marketing@iczoom.com and mark the subject with "Datasheets" .

# ZERO DELAY, LOW SKEW BUFFER

# MK2304-2

## Description

The MK2304-2 is a low jitter, low skew, high performance Phase Lock Loop (PLL) based zero delay buffer for high speed applications. Based on IDT's proprietary low jitter PLL techniques, the device provides four low skew outputs at speeds up to 133 MHz at 3.3 V. The MK2304-2 includes a bank of two outputs running at 1/2X. In the zero delay mode, the rising edge of the input clock is aligned with the rising edges of all 4 outputs. Compared to competitive CMOS devices, the MK2304-2 has the lowest jitter.

The MK2304-2 PLL enters a power-down state when there are no rising edges on the REF input. In this mode, all outputs are tri-stated and the PLL is turned off, resulting in less than 25  $\mu$ A of current draw.

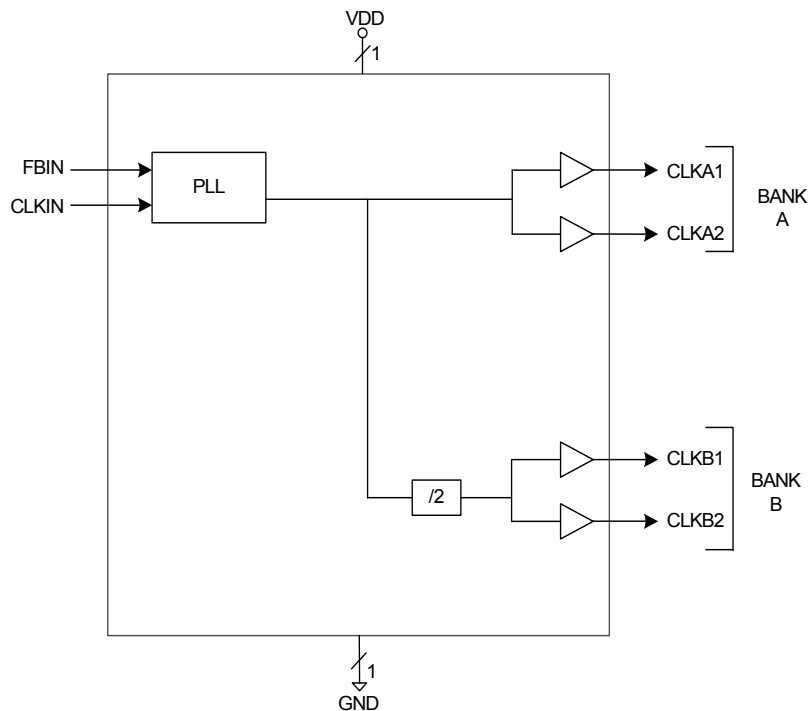
IDT manufactures the largest variety of clock generators and buffers and is the largest clock supplier in the world.

## Features

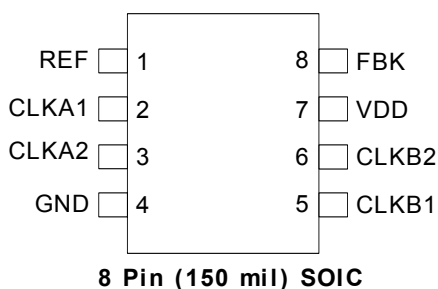
- Packaged in 8 pin SOIC
- Zero input-output delay
- Two 1X outputs plus two 1/2X outputs
- Output to output skew is less than 200 ps
- Output clocks up from 10 MHz to 133 MHz at 3.3 V
- Ability to generate 2X the input
- Full CMOS outputs with 8 mA output drive capability at TTL levels at 3.3 V
- Spread Smart™ technology works with spread spectrum clock generators
- Advanced, low power, sub micron CMOS process
- Operating voltage of 3.3 V
- Available in industrial temperature operation
- Available in Pb (lead) free package
- Low Standby Current

**NOTE: EOL for non-green parts to occur on 5/13/10 per PDN U-09-01**

## Block Diagram



## Pin Assignment



## Feedback Configuration Table

Feedback From	CLKA1:A2	CLKB1:B2
Bank A	CLKIN	CLKIN/2
Bank B	2XCLKIN	CLKIN

## Pin Descriptions

Pin Number	Pin Name	Pin Type	Pin Description
1	REF	Input	Clock input. Connect to input clock source, 5 V tolerant input.
2	CLKA1	Output	Clock A1 output.
3	CLKA2	Output	Clock A2 output.
4	GND	Power	Connect to ground.
5	CLKB1	Output	Clock B1 output.
6	CLKB1	Output	Clock B2 output.
7	VDD	Power	3.3V Power Supply.
8	FBK	Input	PLL feedback input

## External Components

The Mk2304-2 requires a minimum number of external components for proper operation. Decoupling capacitors of 0.1 $\mu$ F should be connected between VDD and GND, as close to the part as possible. A 33 $\Omega$  series terminating resistor should be used on each clock output to reduce reflections.

## Absolute Maximum Ratings

Stresses above the ratings listed below can cause permanent damage to the MK2304-2. These ratings, which are standard values for IDT commercially rated parts, are stress ratings only. Functional operation of the device at these or any other conditions above those indicated in the operational sections of the specifications is not implied. Exposure to absolute maximum rating conditions for extended periods can affect product reliability. Electrical parameters are guaranteed only over the recommended operating temperature range.

Item	Rating
Supply Voltage, VDD	7 V
All Inputs and Outputs, except CLKIN	-0.5 V to VDD+0.5 V
CLKIN	-0.5 V to +5.5 V
Ambient Operating Temperature (commercial)	0 to +70 °C
Ambient Operating Temperature (industrial)	-40 to +85 °C
Storage Temperature	-65 to +150 °C
Junction Temperature	125 °C
Soldering Temperature	260 °C

## Recommended Operation Conditions

Parameter	Min.	Typ.	Max.	Units
Ambient Operating Temperature (commercial)	0		+70	°C
Ambient Operating Temperature (industrial)	-40		+85	°C
Power Supply Voltage (measured in respect to GND)	+3.0		+3.6	V

## DC Electrical Characteristics

VDD=3.3 V ±10%, Amb temp -40° C to 85° C

Parameter	Symbol	Conditions	Min.	Typ.	Max.	Units
Operating Voltage	VDD		3.0		3.6	V
Input High Voltage	V <sub>IH</sub>		2			V
Input Low Voltage	V <sub>IL</sub>				0.8	V
Output High Voltage	V <sub>OH</sub>	I <sub>OH</sub> = -8 mA	2.4			V
Output Low Voltage	V <sub>OL</sub>	I <sub>OL</sub> = 8 mA			0.4	V
Operating Supply Current 100 MHz, CLKIN	IDD	No Load		45		mA
Stand by Supply Current 0 MHz, CLKIN	IDD	No Load		12	25	uA
Short Circuit Current	I <sub>OS</sub>	Each output		TBD		mA
Input Capacitance	C <sub>IN</sub>	FBIN		7		pF
Power-up Time					50	ms

## AC Electrical Characteristics

VDD = 3.3V ±10%, Ambient Temperature -40° C to 85° C

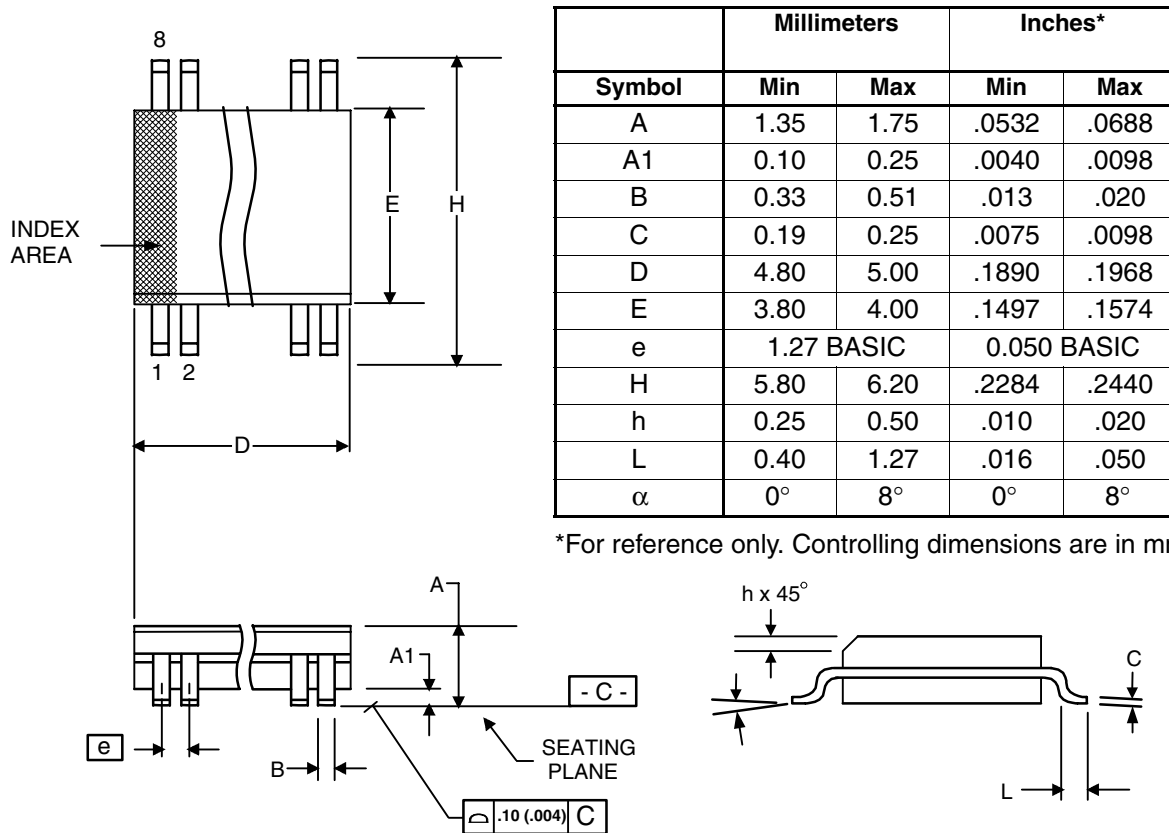
Parameter	Symbol	Conditions	Min.	Typ.	Max.	Units
Output Frequency		FBIN to CLKA1, 30 pF Load	10		100	MHz
Output Frequency		FBIN to CLKA1, 15 pF Load	10		133	MHz
Output Rise Time	t <sub>OR</sub>	0.8 to 2.0 V, C <sub>L</sub> =30 pF			2.2	ns
Output Rise Time	t <sub>OR</sub>	0.8 to 2.0 V, C <sub>L</sub> =15 pF			1.5	ns
Output Fall Time	t <sub>OF</sub>	0.8 to 2.0 V, C <sub>L</sub> =30 pF			2.2	ns
Output Fall Time	t <sub>OF</sub>	0.8 to 2.0 V, C <sub>L</sub> =15 pF			1.5	ns
Output Clock Duty Cycle		At 1.4 V, C <sub>L</sub> =30 pf	40	50	60	%
Output Clock Duty Cycle		At 1.4 V, C <sub>L</sub> =15 pf	45	50	65	%
Device-to-Device skew, equally loaded		Rising edges at VDD/2			500	ps
Output-to-Output skew, equally loaded, On same bank		Rising edges at VDD/2			200	ps
Skew from Output Bank A to Output Bank B		All outputs equally loaded			400	ps
Delay CLKIN Rising Edge to FBIN Rising Edge		Measured at VDD/2			±250	ps
Cycle-to-Cycle Jitter		30 pF loads 66.67 MHz outputs			400	ps
		15 pF loads 66.67 MHz outputs			375	ps
PLL Lock Time	t <sub>LOCK</sub>	Stable power supply, valid clocks on CLKIN, FBIN			1	ms

## Thermal Characteristics

Parameter	Symbol	Conditions	Min.	Typ.	Max.	Units
Thermal Resistance Junction to Ambient	θ <sub>JA</sub>	Still air		120		°C/W
	θ <sub>JA</sub>	1 m/s air flow		115		°C/W
	θ <sub>JA</sub>	3 m/s air flow		105		°C/W
Thermal Resistance Junction to Case	θ <sub>JC</sub>			58		°C/W

## Package Outline and Package Dimensions (8-pin SOIC, 150 Mil. Narrow Body)

Package dimensions are kept current with JEDEC Publication No. 95



## Ordering Information

Part / Order Number	Marking	Shipping Packaging	Package	Temperature
MK2304S-2*	2304S-02	Tubes	8-pin SOIC	0 to 70° C
MK2304S-2T*	2304S-02	Tape and Reel	8-pin SOIC	0 to 70° C
MK2304S-2I*	2304S02I	Tubes	8-pin SOIC	-40° C to 85° C
MK2304S-2ITR*	2304S02I	Tape and Reel	8-pin SOIC	-40° C to 85° C
MK2304S-2LF	2304S02L	Tubes	8-pin SOIC	0 to 70° C
MK2304S-2LFTR	2304S02L	Tape and Reel	8-pin SOIC	0 to 70° C
MK2304S-2ILF	2304S2IL	Tubes	8-pin SOIC	-40° C to 85° C
MK2304S-2ILFTR	2304S2IL	Tape and Reel	8-pin SOIC	-40° C to 85° C

\*NOTE: EOL for non-green parts to occur on 5/13/10 per PDN U-09-01

Parts that are ordered with a "LF" suffix to the part number are the Pb-Free configuration and are RoHS compliant.

While the information presented herein has been checked for both accuracy and reliability, Integrated Device Technology (IDT) assumes no responsibility for either its use or for the infringement of any patents or other rights of third parties, which would result from its use. No other circuits, patents, or licenses are implied. This product is intended for use in normal commercial applications. Any other applications such as those requiring extended temperature range, high reliability, or other extraordinary environmental requirements are not recommended without additional processing by IDT. IDT reserves the right to change any circuitry or specifications without notice. IDT does not authorize or warrant any IDT product for use in life support devices or critical medical instruments.

Innovate with IDT and accelerate your future networks. Contact:

**www.IDT.com**

**For Sales**

800-345-7015  
408-284-8200  
Fax: 408-284-2775

**For Tech Support**

[www.idt.com/go/clockhelp](http://www.idt.com/go/clockhelp)

---

**Corporate Headquarters**

Integrated Device Technology, Inc.  
[www.idt.com](http://www.idt.com)



[www.IDT.com](http://www.IDT.com)