

阅读申明

- 1.本站收集的数据手册和产品资料都来自互联网，版权归原作者所有。如读者和版权方有任何异议请及时告之，我们将妥善解决。
- 2.本站提供的中文数据手册是英文数据手册的中文翻译，其目的是协助用户阅读，该译文无法自动跟随原稿更新，同时也可能存在翻译上的不当。建议读者以英文原稿为参考以便获得更精准的信息。
- 3.本站提供的产品资料，来自厂商的技术支持或者使用者的心得体会等，其内容可能存在描述上的差异，建议读者做出适当判断。
- 4.如需与我们联系，请发邮件到marketing@iczoom.com，主题请标有“数据手册”字样。

Read Statement

1. The datasheets and other product information on the site are all from network reference or other public materials, and the copyright belongs to the original author and original published source. If readers and copyright owners have any objections, please contact us and we will deal with it in a timely manner.
2. The Chinese datasheets provided on the website is a Chinese translation of the English datasheets. Its purpose is for reader's learning exchange only and do not involve commercial purposes. The translation cannot be automatically updated with the original manuscript, and there may also be improper translations. Readers are advised to use the English manuscript as a reference for more accurate information.
3. All product information provided on the website refer to solutions from manufacturers' technical support or users the contents may have differences in description, and readers are advised to take the original article as the standard.
4. If you have any questions, please contact us at marketing@iczoom.com and mark the subject with "Datasheets" .

One-PLL General Purpose Flash Programmable Clock Generator

Features

- Integrated phase-locked loop (PLL)
- Commercial and Industrial operation
- Flash-programmable
- Field-programmable
- Low-skew, low-jitter, high-accuracy outputs
- 3.3V operation with 2.5V output option
- 16-Pin TSSOP package (CY22050)
- 16-Pin TSSOP package with NiPdAu lead finish (CY220501)

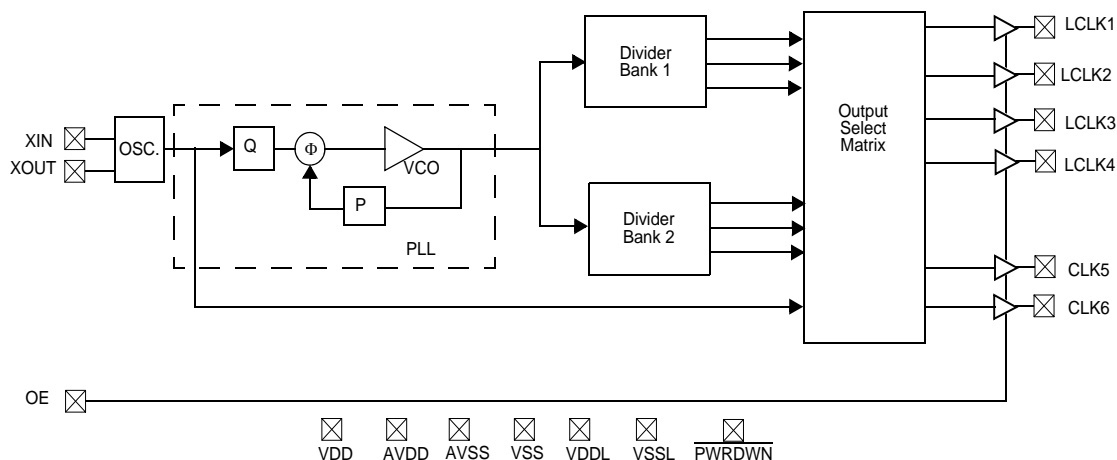
Benefits

- Internal PLL to generate six outputs up to 200 MHz. Able to generate custom frequencies from an external reference crystal or driven source.
- Performance guaranteed for applications that require an extended temperature range.
- Reprogrammable technology allows easy customization, quick turnaround on design changes and product performance enhancements, and better inventory control. Parts can be reprogrammed up to 100 times, reducing inventory of custom parts and providing an easy method for upgrading existing designs.
- In-house programming of samples and prototype quantities is available using the CY3672 FTG Development Kit. Production quantities are available through Cypress's value-added distribution partners or by using third party programmers from BP Microsystems, HiLo Systems, and others.
- Industry standard packaging saves on board space.

Table 1. Device Selection

| Part Number | Outputs | Input Frequency Range | Output Frequency Range | Specifications |
|---------------|---------|---|--|--|
| CY22050KFZXC | 6 | 8 MHz–30 MHz (external crystal) 1 MHz–133 MHz (driven clock) | 80 kHz–200 MHz (3.3V) 80 kHz–166.6 MHz (2.5V) | Field-programmable commercial temperature |
| CY22050KFZXI | 6 | 8 MHz–30 MHz (external crystal) 1 MHz–133 MHz (driven clock) | 80 kHz–166.6 MHz (3.3V) 80 kHz–150 MHz (2.5V) | Field-programmable industrial temperature |
| CY220501KFZXI | 6 | 8 MHz–30 MHz (external crystal) 1 MHz–133 MHz (driven clock) | 80 kHz–166.6 MHz (3.3V) 80 kHz–150 MHz (2.5V) | Field-programmable industrial temperature NiPdAu lead finish |

Logic Block Diagram



Pin Configuration

Figure 1. 16-Pin TSSOP

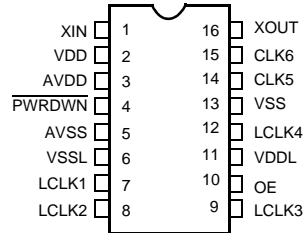


Table 2. Pin Definitions

| Name | Pin Number | Description |
|-----------------------|------------|--|
| XIN | 1 | Reference Input. Driven by a crystal (8 MHz–30 MHz) or external clock (1 MHz–133 MHz). Programmable input load capacitors allow for maximum flexibility in selecting a crystal, based on manufacturer, process, performance, or quality. |
| VDD | 2 | 3.3V voltage supply |
| AVDD | 3 | 3.3V analog voltage supply |
| PWRDWN ^[1] | 4 | Power Down. When pin 4 is driven LOW, the CY22050 goes into shut down mode. |
| AVSS | 5 | Analog ground |
| VSSL | 6 | LCLK ground |
| LCLK1 | 7 | Configurable clock output 1 at V _{DDL} level (3.3V or 2.5V) |
| LCLK2 | 8 | Configurable clock output 2 at V _{DDL} level (3.3V or 2.5V) |
| LCLK3 | 9 | Configurable clock output 3 at V _{DDL} level (3.3V or 2.5V) |
| OE ^[1] | 10 | Output Enable. When pin 10 is driven LOW, all outputs are three-stated. |
| VDDL | 11 | LCLK voltage supply (2.5V or 3.3V) |
| LCLK4 | 12 | Configurable clock output 4 at V _{DDL} level (3.3V or 2.5V) |
| VSS | 13 | Ground |
| CLK5 | 14 | Configurable clock output 5 (3.3V) |
| CLK6 | 15 | Configurable clock output 6 (3.3V) |
| XOUT ^[2] | 16 | Reference output |

Notes

1. The CY22050 has no internal pull up or pull down resistors. PWRDWN and OE pins need to be driven as appropriate or tied to power or ground.
2. Float XOUT if XIN is driven by an external clock source.

Functional Description

The CY22050 is the next-generation programmable FTG (frequency timing generator) for use in networking, telecommunication, datacom, and other general-purpose applications. The CY22050 offers up to six configurable outputs in a 16-pin TSSOP, running off a 3.3V power supply. The on-chip reference oscillator is designed to run off an 8–30-MHz crystal, or a 1–133-MHz external clock signal.

The CY22050 has a single PLL driving 6 programmable output clocks. The output clocks are derived from the PLL or the reference frequency (REF). Output post dividers are available for either. Four of the outputs can be set as 3.3V or 2.5V, for use in a wide variety of portable and low-power applications.

The CY220501 is the CY22050 with NiPdAu lead finish.

Field Programming the CY22050F

The CY22050 is programmed at the package level, that is, in a programmer socket, prior to installation on a PCB. The CY22050 is flash-technology based, so the parts can be reprogrammed up to 100 times. This allows for fast and easy design changes and product updates, and eliminates any issues with old and out-of-date inventory.

Samples and small prototype quantities can be programmed on the CY3672 programmer. Cypress's value-added distribution partners and third-party programming systems from BP Microsystems, HiLo Systems, and others are available for large-production quantities.

CyberClocks™ Software

CyberClocks is an easy-to-use software application that allows the user to custom-configure the CY22050. Within CyberClocks, select the CyClocksRT™ tool. Users can specify the REF, PLL frequency, output frequencies and/or post-dividers, and different functional options. CyClocksRT outputs an industry-standard JEDEC file used for programming the CY22050.

CyClocksRT can be downloaded free of charge from the Cypress website at <http://www.cypress.com>. Install and run it on any PC running the Windows operating system.

CY3672 Development Kit

The Cypress CY3672 Development Kit comes complete with everything needed to design with the CY22050 and program samples and small prototype quantities. The kit comes with the latest version of CyClocksRT and a small portable programmer that connects to a PC for on-the-fly programming of custom frequencies.

The JEDEC file output of CyClocksRT can be downloaded to the portable programmer for small-volume programming, or for use with a production programming system for larger volumes.

Applications

Controlling Jitter

Jitter is defined in many ways, including: phase noise, long-term jitter, cycle-to-cycle jitter, period jitter, absolute jitter, and deterministic jitter. These jitter terms are usually given in terms of rms, peak-to-peak, or in the case of phase noise dBC/Hz with respect to the fundamental frequency. Actual jitter is dependent on XIN jitter and edge rate, number of active outputs, output frequencies, V_{DDL} (2.5V or 3.3V), temperature, and output load.

Power supply noise and clock output loading are two major system sources of clock jitter. Power supply noise can be mitigated by proper power supply decoupling (0.1- μ F ceramic cap) of the clock and ensuring a low-impedance ground to the chip. Reducing capacitive clock output loading to a minimum lowers current spikes on the clock edges and thus reduces jitter.

Reducing the total number of active outputs also reduce jitter in a linear fashion. However, it is better to use two outputs to drive two loads than one output to drive two loads.

The rate and magnitude that the PLL corrects the VCO frequency is directly related to jitter performance. If the rate is too slow, then long term jitter and phase noise is poor. Therefore, to improve long-term jitter and phase noise, reducing Q to a minimum is advisable. This technique increases the speed of the phase frequency detector, which in turn drives the input voltage of the VCO. In a similar manner, increasing P until the VCO is near its maximum rated speed also decreases long term jitter and phase noise. For example: input reference of 12 MHz; desired output frequency of 33.3 MHz. One might arrive at the following solution: Set Q = 3, P = 25, Post Div = 3. However, the best jitter results are Q = 2, P = 50, Post Div = 9.

For additional information, refer to the application note, "Jitter in PLL-based Systems: Causes, Effects, and Solutions," available at <http://www.cypress.com> (click on "Application Notes"), or contact your local Cypress Field Applications Engineer.

CY22050 Frequency Calculation

The CY22050 is an extremely flexible clock generator with up to six individual outputs, generated from an integrated PLL.

There are four variables used to determine the final output frequency. They are: the input REF, the P and Q dividers, and the post divider. The three basic formulas for determining the final output frequency of a CY22150-based design are:

- $CLK = ((REF * P)/Q)/Post\ Divider$
- $CLK = REF/Post\ Divider$
- $CLK = REF$

The basic PLL block diagram is shown in Figure 2. Each of the six clock outputs has a total of seven output options available to it. There are six post divider options: /2 (two of these), /3, /4, /DIV1N, and DIV2N. DIV1N and DIV2N are separately calculated

and can be independent of each other. The post divider options can be applied to the calculated PLL frequency or to the REF directly.

In addition to the six post divider options, the seventh option bypasses the PLL and passes the REF directly to the crosspoint switch matrix.

Clock Output Settings: Crosspoint Switch Matrix

Each of the six clock outputs can come from any of seven unique frequency sources. The crosspoint switch matrix defines which source is attached to each individual clock output. Although it may seem that there are an unlimited number of divider options, there are several rules that must be taken into account when selecting divider options.

Figure 2. Basic PLL Block Diagram

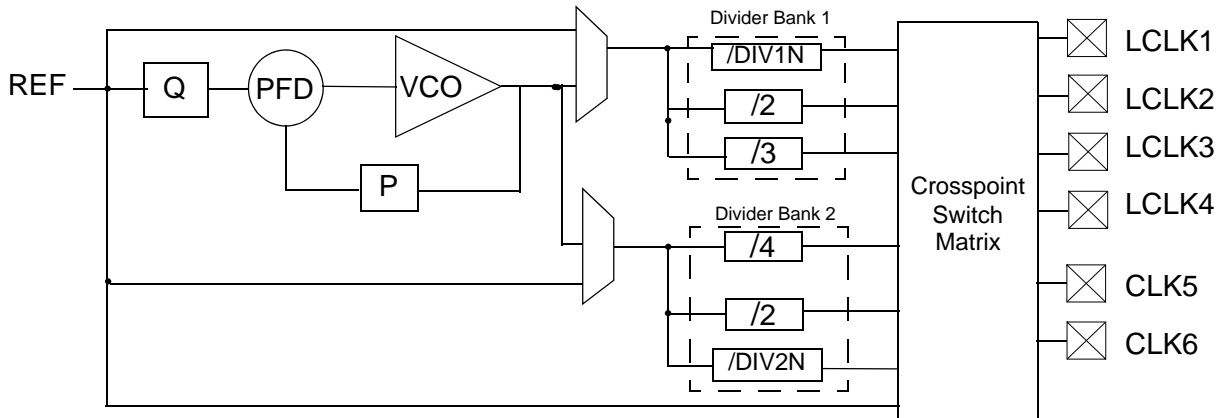


Table 3. Clock Output Definition

| Clock Output Divider | Definition and Notes |
|----------------------|--|
| None | Clock output source is the reference input frequency |
| /DIV1N | Clock output uses a generated /DIV1N option from Divider Bank 1. Allowable values for DIV1N are 4 to 127. If Divider Bank 1 is not being used, set DIV1N to 8. |
| /2 | Clock output uses a fixed /2 option from Divider Bank 1. If this option is used, DIV1N must be divisible by 4. |
| /3 | Clock output uses a fixed /3 option from Divider Bank 1. If this option is used, set DIV1N to 6. |
| /DIV2N | Clock output uses a generated /DIV2N option from Divider Bank 2. Allowable values for DIV2N are 4 to 127. If Divider Bank 2 is not being used, set DIV2N to 8. |
| /2 | Clock output uses a fixed /2 option from Divider Bank 2. If this option is used, DIV2N must be divisible by 4. |
| /4 | Clock output 2 uses a fixed /4 option from Divider Bank 2. If this option is used, DIV2N must be divisible by 8. |

Reference Crystal Input

The input crystal oscillator of the CY22050 is an important feature because of the flexibility it allows the user in selecting a crystal as a reference clock source. The oscillator inverter has programmable gain, allowing for maximum compatibility with a reference crystal, based on manufacturer, process, performance, and quality.

The value of the input load capacitors is determined by eight bits in a programmable register. Total load capacitance is determined by the formula:

$$\text{CapLoad} = (C_L - C_{\text{BRD}} - C_{\text{CHIP}})/0.09375 \text{ pF}$$

In CyClocksRT, enter the crystal capacitance (C_L). The value of CapLoad is determined automatically and programmed into the CY22050.

If you require greater control over the CapLoad value, consider using the CY22150 for serial configuration and control of the input load capacitors. For an external clock source, the default is 0.

Input load capacitors are placed on the CY22050 die to reduce external component cost. These capacitors are true parallel-plate capacitors, designed to reduce the frequency shift that occurs when non-linear load capacitance is affected by load, bias, supply, and temperature changes.

Absolute Maximum Conditions

| Parameter | Description | Min | Max | Unit |
|------------------|--|------------------------|------------------------|------|
| V_{DD} | Supply Voltage | -0.5 | 7.0 | V |
| V_{DDL} | I/O Supply Voltage | -0.5 | 7.0 | V |
| T_{S} | Storage Temperature ^[3] | -65 | 125 | °C |
| T_{J} | Junction Temperature | | 125 | °C |
| | Package Power Dissipation—Commercial Temp | | 450 | mW |
| | Package Power Dissipation—Industrial Temp | | 380 | mW |
| | Digital Inputs | $AV_{\text{SS}} - 0.3$ | $AV_{\text{DD}} + 0.3$ | V |
| | Digital Outputs referred to V_{DD} | $V_{\text{SS}} - 0.3$ | $V_{\text{DD}} + 0.3$ | V |
| | Digital Outputs referred to V_{DDL} | $V_{\text{SS}} - 0.3$ | $V_{\text{DDL}} + 0.3$ | V |
| ESD | Static Discharge Voltage per MIL-STD-883C, Method 3015 | | 2000 | V |

Recommended Operating Conditions

| Parameter | Description | Min | Typ. | Max | Unit |
|------------------------------|--|-------|------|-------|------|
| V_{DD} | Operating Voltage | 3.135 | 3.3 | 3.465 | V |
| $V_{\text{DDL}_{\text{HI}}}$ | Operating Voltage | 3.135 | 3.3 | 3.465 | V |
| $V_{\text{DDL}_{\text{LO}}}$ | Operating Voltage | 2.375 | 2.5 | 2.625 | V |
| T_{AC} | Ambient Commercial Temp | 0 | | 70 | °C |
| T_{AI} | Ambient Industrial Temp | -40 | | 85 | °C |
| C_{LOAD} | Max. Load Capacitance $V_{\text{DD}}/V_{\text{DDL}} = 3.3\text{V}$ | | | 15 | pF |
| C_{LOAD} | Max. Load Capacitance $V_{\text{DDL}} = 2.5\text{V}$ | | | 15 | pF |
| f_{REFD} | Driven REF | 1 | | 133 | MHz |
| f_{REFC} | Crystal REF | 8 | | 30 | MHz |
| t_{PU} | Power up time for all $V_{\text{DD}}\text{s}$ to reach minimum specified voltage (power ramps must be monotonic) | 0.05 | | 500 | ms |

Note

3. Rated for 10 years

DC Electrical Characteristics

| Parameter ^[4] | Name | Description | Min | Typ. | Max | Unit |
|---------------------------------------|---------------------|--|-----|------|-----|-----------------|
| I _{OH3.3} | Output High Current | V _{OH} = V _{DD} - 0.5V, V _{DD} /V _{DDL} = 3.3V | 12 | 24 | | mA |
| I _{OL3.3} | Output Low Current | V _{OL} = 0.5V, V _{DD} /V _{DDL} = 3.3V | 12 | 24 | | mA |
| I _{OH2.5} | Output High Current | V _{OH} = V _{DDL} - 0.5V, V _{DDL} = 2.5V | 8 | 16 | | mA |
| I _{OL2.5} | Output Low Current | V _{OL} = 0.5V, V _{DDL} = 2.5V | 8 | 16 | | mA |
| V _{IH} | Input High Voltage | CMOS levels, 70% of V _{DD} | 0.7 | | 1.0 | V _{DD} |
| V _{IL} | Input Low Voltage | CMOS levels, 30% of V _{DD} | 0 | | 0.3 | V _{DD} |
| I _{VDD} ^[5,6] | Supply Current | AV _{DD} /V _{DD} Current | | 45 | | mA |
| I _{VDDL3.3} ^[5,6] | Supply Current | V _{DDL} Current (V _{DDL} = 3.465V) | | 25 | | mA |
| I _{VDDL2.5} ^[5,6] | Supply Current | V _{DDL} Current (V _{DDL} = 2.625V) | | 17 | | mA |
| I _{DDS} | Power Down Current | V _{DD} = V _{DDL} = AV _{DD} = 3.465V | | | 50 | μA |
| I _{OHZ} I _{OLZ} | Output Leakage | V _{DD} = V _{DDL} = AV _{DD} = 3.465V | | | 10 | μA |

AC Electrical Characteristics

| Parameter ^[4] | Name | Description | Min | Typ. | Max | Unit |
|--------------------------|--|--|---------------|------|-------|------|
| t1 | Output frequency, commercial temp | Clock output limit, 3.3V | 0.08 (80 kHz) | | 200 | MHz |
| | | Clock output limit, 2.5V | 0.08 (80 kHz) | | 166.6 | MHz |
| | Output frequency, industrial temp | Clock output limit, 3.3V | 0.08 (80 kHz) | | 166.6 | MHz |
| | | Clock output limit, 2.5V | 0.08 (80 kHz) | | 150 | MHz |
| t2 | Output duty cycle | Duty cycle is defined in Figure 4; t1/t2 f _{OUT} > 166 MHz, 50% of V _{DD} | 40 | 50 | 60 | % |
| | | Duty cycle is defined in Figure 4; t1/t2 f _{OUT} < 166 MHz, 50% of V _{DD} | 45 | 50 | 55 | % |
| t3 _{LO} | Rising edge slew rate (V _{DDL} = 2.5V) | Output clock rise time, 20% – 80% of V _{DDL} . Defined in Figure 5 | 0.6 | 1.2 | | V/ns |
| t4 _{LO} | Falling edge slew rate (V _{DDL} = 2.5V) | Output clock fall time, 80% – 20% of V _{DDL} . Defined in Figure 5 | 0.6 | 1.2 | | V/ns |
| t3 _{HI} | Rising edge slew rate (V _{DDL} = 3.3V) | Output clock rise time, 20% – 80% of V _{DD} /V _{DDL} . Defined in Figure 5 | 0.8 | 1.4 | | V/ns |
| t4 _{HI} | Falling edge slew rate (V _{DDL} = 3.3V) | Output clock fall time, 80% – 20% of V _{DD} /V _{DDL} . Defined in Figure 5 | 0.8 | 1.4 | | V/ns |
| t5 ^[7] | Skew | Output-output skew between related outputs | | | 250 | ps |
| t6 ^[8] | Clock jitter | Peak-to-peak period jitter (see Figure 6) | | 250 | | ps |
| t10 | PLL lock time | | | 0.30 | 3 | ms |

Notes

- Not 100% tested, guaranteed by design.
- IVDD currents specified for two CLK outputs running at 125 MHz, two LCLK outputs running at 80 MHz, and two LCLK outputs running at 66.6 MHz. All outputs are loaded with 15pF.
- Use CyClocksRT to calculate actual IVDD and IVDDL for specific output frequency configurations.
- Skew value guaranteed when outputs are generated from the same divider bank. See Logic Block Diagram for more information.
- Jitter measurement will vary. Actual jitter is dependent on XIN jitter and edge rate, number of active outputs, output frequencies, VDDL (2.5V or 3.3V), temperature, and output load. For more information, refer to the application note, "Jitter in PLL-based Systems: Causes, Effects, and Solutions," available at <http://www.cypress.com>, or contact your local Cypress Field Applications Engineer.

Figure 3. Test Circuit

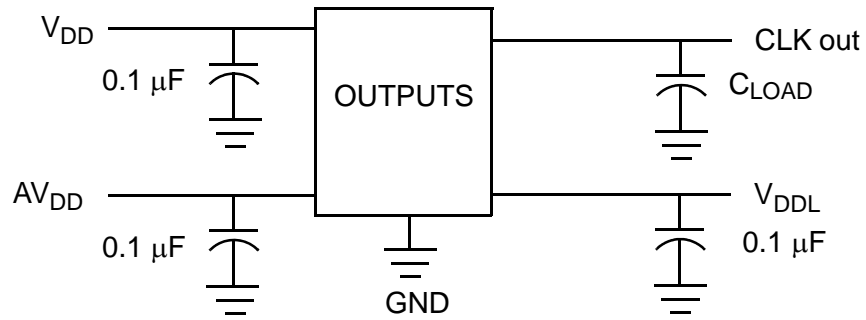


Figure 4. Duty Cycle Definition: $DC = t2/t1$

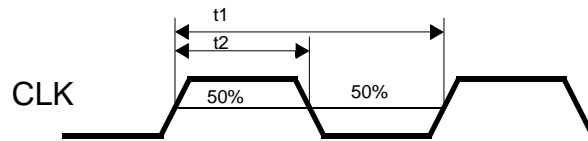


Figure 5. Rise and Fall Time Definitions

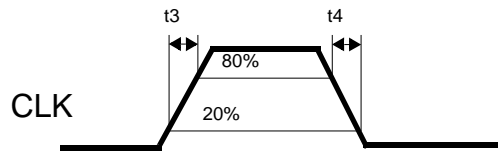
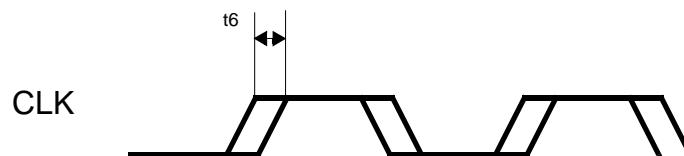


Figure 6. Peak-to-Peak Jitter



Ordering Information

| Ordering Code | Package Type | Temperature Operating Range | Operating Voltage |
|------------------------------------|--|-----------------------------|-------------------|
| CY22050FC ^[9] | 16-lead TSSOP | Commercial (0 to 70°C) | 3.3V |
| CY22050FI ^[9] | 16-lead TSSOP | Industrial (-40 to 85°C) | 3.3V |
| CY22050ZC-xxx ^[9, 10] | 16-lead TSSOP | Commercial (0 to 70°C) | 3.3V |
| CY22050KFC | 16-lead TSSOP | Commercial (0 to 70°C) | 3.3V |
| CY22050KFI | 16-lead TSSOP | Industrial (-40 to 85°C) | 3.3V |
| Pb-Free | | | |
| CY220501KFZXI | 16-lead TSSOP with NiPdAu lead finish | Industrial (-40 to 85°C) | 3.3V |
| CY22050FZXC ^[9] | 16-lead TSSOP | Commercial (0 to 70°C) | 3.3V |
| CY22050FZXI ^[9] | 16-lead TSSOP | Industrial (-40 to 85°C) | 3.3V |
| CY22050ZXC-xxx ^[9, 10] | 16-lead TSSOP | Commercial (0 to 70°C) | 3.3V |
| CY22050ZXC-xxxT ^[9, 10] | 16-lead TSSOP-Tape and Reel | Commercial (0 to 70°C) | 3.3V |
| CY22050ZXI-xxx ^[9, 10] | 16-lead TSSOP | Industrial (-40 to 85°C) | 3.3V |
| CY22050ZXI-xxxT ^[9, 10] | 16-lead TSSOP-Tape and Reel | Industrial (-40 to 85°C) | 3.3V |
| CY22050KFZXC | 16-lead TSSOP | Commercial (0 to 70°C) | 3.3V |
| CY22050KFZXI | 16-lead TSSOP | Industrial (-40 to 85°C) | 3.3V |
| CY22050KZXC-xxx ^[10] | 16-lead TSSOP | Commercial (0 to 70°C) | 3.3V |
| CY22050KZXC-xxxT ^[10] | 16-lead TSSOP-Tape and Reel | Commercial (0 to 70°C) | 3.3V |
| CY22050KZXI-xxx ^[10] | 16-lead TSSOP | Industrial (-40 to 85°C) | 3.3V |
| CY22050KZXI-xxxT ^[10] | 16-lead TSSOP-Tape and Reel | Industrial (-40 to 85°C) | 3.3V |
| Programmer | | | |
| CY3672-USB | Programming Kit | | |
| CY3695 | CY22050F, CY22050KF and CY220501KF Adapter for CY3672 Programmer | | |

16-Pin TSSOP Package Characteristics

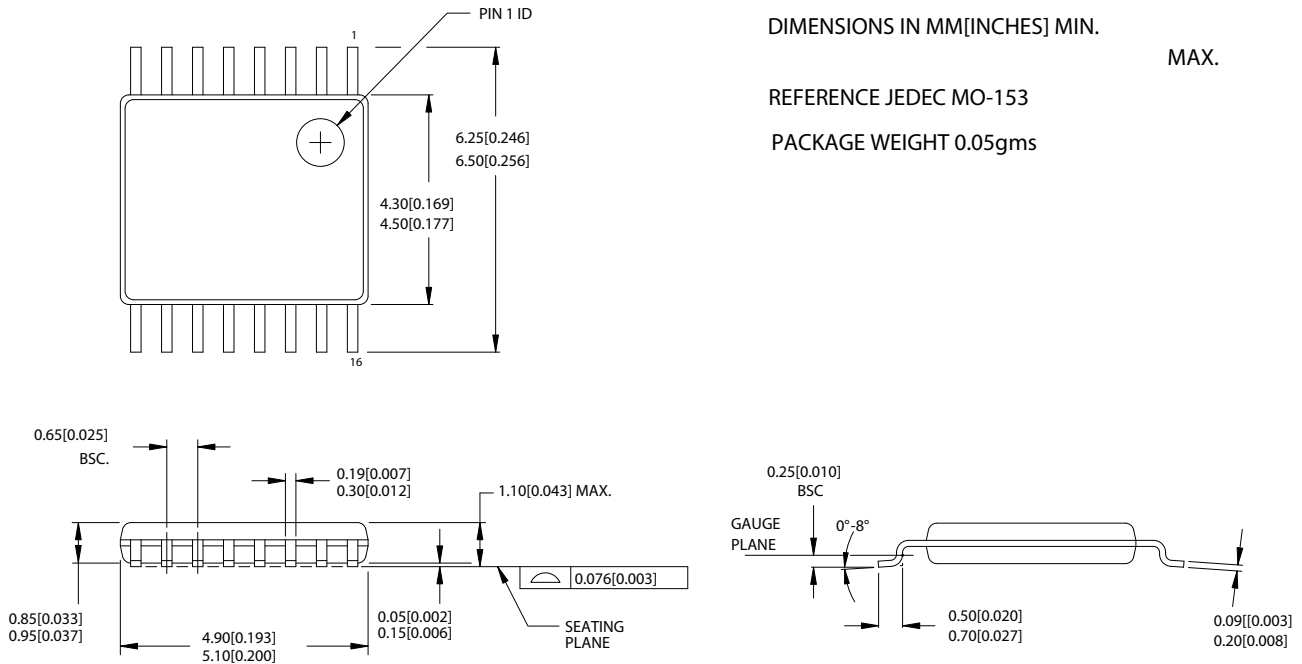
| Parameter | Name | Value | Unit |
|---------------|------------------|--------|-------------|
| θ_{JA} | theta JA | 115 | °C/W |
| Complexity | Transistor Count | 74,600 | Transistors |

Notes

- Not recommended for new designs. Part numbers without a "K" are being replaced by part numbers with a "K". There are no changes to device specifications as a result of the part number change.
- The CY22050KZXC-xxx and CY22050KZXI-xxx are factory-programmed configurations. Factory programming is available for high-volume design opportunities of 100 Ku/year or more in production. For more details, contact your local Cypress field application engineer or Cypress sales representative.

Package Drawing and Dimensions

Figure 7. 16-Pin TSSOP 4.40 MM Body Z16.173



DIMENSIONS IN MM[INCHES] MIN. MAX.
REFERENCE JEDEC MO-153
PACKAGE WEIGHT 0.05gms

51-85091-*A

Document History Page

| Document Title: CY22050, CY220501 One-PLL General Purpose Flash-Programmable Clock Generator | | | | |
|--|---------|-----------------|-----------------|--|
| Document Number: 38-07006 | | | | |
| REV. | ECN | Orig. of Change | Submission Date | Description of Change |
| ** | 108185 | CKN | 08/08/01 | New Data Sheet. |
| *A | 110054 | CKN | 03/04/02 | Changed from Preliminary to Final. |
| *B | 121862 | RBI | 12/14/02 | Power up requirements added to Operating Conditions Information. |
| *C | 310575 | RGL | 01/20/05 | Added Lead-free devices. |
| *D | 314233 | RGL | 01/31/05 | Removed the Tape and Reel devices in the non-dash parts. |
| *E | 2440826 | AESA | 05/15/08 | Updated template. Added Note "Not recommended for new designs." and "38-07409, CY3672 PTG Programming Kit". Corrected "FTG" to "PTG" in Ordering information table. Added part numbers CY22050KFC, CY22050KFI, CY22050KFZXC, CY22050KFZXI, CY22050KZXC-xxx, CY22050KZXC-xxxT, CY22050KZXI-xxx, and CY22050KZXI-xxxT in ordering information table. Changed Lead-Free to Pb-Free. |
| *F | 2642064 | KVM | 01/21/09 | Added CY220501 to title. Added CY220501KFZXI to ordering table. |
| *G | 2743347 | KVM | 07/24/09 | Revised the Device Selection table on page 1 and renamed it. Updates to programmer and software descriptions. Clarified that I _{VDD} and I _{VDDL} are for loaded outputs. Updated footnotes to show that the standard part numbers are now with a "K". Changed CY3672 part number to CY3672-USB, changed CY3672ADP000 to CY3695, and repositioned them in the Ordering Information table. Deleted part numbers CY22050ZC-xxxT, CY22050ZI-xxx and CY22050ZI-xxxT. |

Sales, Solutions, and Legal Information

Worldwide Sales and Design Support

Cypress maintains a worldwide network of offices, solution centers, manufacturer's representatives, and distributors. To find the office closest to you, visit us at cypress.com/sales.

Products

| | |
|------------------|--|
| PSoC | psoc.cypress.com |
| Clocks & Buffers | clocks.cypress.com |
| Wireless | wireless.cypress.com |
| Memories | memory.cypress.com |
| Image Sensors | image.cypress.com |

© Cypress Semiconductor Corporation, 2001-2009. The information contained herein is subject to change without notice. Cypress Semiconductor Corporation assumes no responsibility for the use of any circuitry other than circuitry embodied in a Cypress product. Nor does it convey or imply any license under patent or other rights. Cypress products are not warranted nor intended to be used for medical, life support, life saving, critical control or safety applications, unless pursuant to an express written agreement with Cypress. Furthermore, Cypress does not authorize its products for use as critical components in life-support systems where a malfunction or failure may reasonably be expected to result in significant injury to the user. The inclusion of Cypress products in life-support systems application implies that the manufacturer assumes all risk of such use and in doing so indemnifies Cypress against all charges.

Any Source Code (software and/or firmware) is owned by Cypress Semiconductor Corporation (Cypress) and is protected by and subject to worldwide patent protection (United States and foreign), United States copyright laws and international treaty provisions. Cypress hereby grants to licensee a personal, non-exclusive, non-transferable license to copy, use, modify, create derivative works of, and compile the Cypress Source Code and derivative works for the sole purpose of creating custom software and/or firmware in support of licensee product to be used only in conjunction with a Cypress integrated circuit as specified in the applicable agreement. Any reproduction, modification, translation, compilation, or representation of this Source Code except as specified above is prohibited without the express written permission of Cypress.

Disclaimer: CYPRESS MAKES NO WARRANTY OF ANY KIND, EXPRESS OR IMPLIED, WITH REGARD TO THIS MATERIAL, INCLUDING, BUT NOT LIMITED TO, THE IMPLIED WARRANTIES OF MERCHANTABILITY AND FITNESS FOR A PARTICULAR PURPOSE. Cypress reserves the right to make changes without further notice to the materials described herein. Cypress does not assume any liability arising out of the application or use of any product or circuit described herein. Cypress does not authorize its products for use as critical components in life-support systems where a malfunction or failure may reasonably be expected to result in significant injury to the user. The inclusion of Cypress' product in a life-support systems application implies that the manufacturer assumes all risk of such use and in doing so indemnifies Cypress against all charges.

Use may be limited by and subject to the applicable Cypress software license agreement.