

阅读申明

- 1.本站收集的数据手册和产品资料都来自互联网，版权归原作者所有。如读者和版权方有任何异议请及时告之，我们将妥善解决。
- 2.本站提供的中文数据手册是英文数据手册的中文翻译，其目的是协助用户阅读，该译文无法自动跟随原稿更新，同时也可能存在翻译上的不当。建议读者以英文原稿为参考以便获得更精准的信息。
- 3.本站提供的产品资料，来自厂商的技术支持或者使用者的心得体会等，其内容可能存在描述上的差异，建议读者做出适当判断。
- 4.如需与我们联系，请发邮件到marketing@iczoom.com，主题请标有“数据手册”字样。

Read Statement

1. The datasheets and other product information on the site are all from network reference or other public materials, and the copyright belongs to the original author and original published source. If readers and copyright owners have any objections, please contact us and we will deal with it in a timely manner.
2. The Chinese datasheets provided on the website is a Chinese translation of the English datasheets. Its purpose is for reader's learning exchange only and do not involve commercial purposes. The translation cannot be automatically updated with the original manuscript, and there may also be improper translations. Readers are advised to use the English manuscript as a reference for more accurate information.
3. All product information provided on the website refer to solutions from manufacturers' technical support or users the contents may have differences in description, and readers are advised to take the original article as the standard.
4. If you have any questions, please contact us at marketing@iczoom.com and mark the subject with "Datasheets" .

Low Skew CMOS PLL Clock Drivers

MC88915

The MC88915 Clock Driver utilizes phase-locked loop technology to lock its low skew outputs' frequency and phase onto an input reference clock. It is designed to provide clock distribution for high performance PC's and workstations.

The PLL allows the high current, low skew outputs to lock onto a single clock input and distribute it to multiple components on a board. The PLL also allows the MC88915 to multiply a low frequency input clock and distribute it locally at a higher (2X) system frequency. Multiple 88915's can lock onto a single reference clock, which is ideal for applications when a central system clock must be distributed synchronously to multiple boards (see Figure 9).

Five "Q" outputs (Q0-Q4) are provided with less than 500 ps skew between their rising edges. The Q5 output is inverted (180° phase shift) from the "Q" outputs. The 2X_Q output runs at twice the "Q" output frequency, while the Q/2 runs at 1/2 the "Q" frequency.

The VCO is designed to run optimally between 20 MHz and the 2X_Q Fmax specification. The wiring diagrams in Figure 5 detail the different feedback configurations which create specific input/output frequency relationships. Possible frequency ratios of the "Q" outputs to the SYNC input are 2:1, 1:1, and 1:2.

The FREQ_SEL pin provides one bit programmable divide-by in the feedback path of the PLL. It selects between divide-by-1 and divide-by-2 of the VCO before its signal reaches the internal clock distribution section of the chip (see the block diagram on page 2). In most applications FREQ_SEL should be held high ($\div 1$). If a low frequency reference clock input is used, holding FREQ_SEL low ($\div 2$) will allow the VCO to run in its optimal range (>20 MHz).

In normal phase-locked operation, the PLL_EN pin is held high. Pulling the PLL_EN pin low disables the VCO and puts the 88915 in a static "test mode". In this mode there is no frequency limitation on the input clock, which is necessary for a low frequency board test environment. The second SYNC input can be used as a test clock input to further simplify board-level testing (see detailed description on page 11).

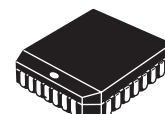
A lock indicator output (LOCK) will go high when the loop is in steady-state phase and frequency lock. The LOCK output will go low if phase-lock is lost or when the PLL_EN pin is low. Under certain conditions the lock output may remain low, even though the part is phase-locked. Therefore, the LOCK output signal should not be used to drive any active circuitry; it should be used for passive monitoring or evaluation purposes only.

Features

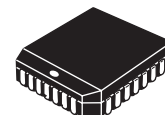
- Five outputs (Q0-Q4) with output-output skew < 500 ps, each being phase and frequency locked to the SYNC input
- The phase variation from part-to-part between the SYNC and FEEDBACK inputs is less than 550 ps (derived from the t_{PD} specification, defining the part-to-part skew).
- Input/output phase-locked frequency ratios of 1:2, 1:1, and 2:1 are available
- Input frequency range from 5 MHz – 2X_Q f_{max} specification
- Additional outputs available at 2X and +2 the system "Q" frequency. Also, a \bar{Q} (180° phase shift) output available
- All outputs have ± 36 mA drive (equal high and low) at CMOS levels, and can drive either CMOS or TTL inputs. All inputs are TTL-level compatible.
- Test mode pin (PLL_EN) provided for low frequency testing. Two selectable CLOCK inputs for test or redundancy purposes.
- 28-lead Pb-free package available.

MC88915

**LOW SKEW CMOS PLL
CLOCK DRIVER**



**FN SUFFIX
28-LEAD PLCC PACKAGE
CASE 776-02**



**EI SUFFIX
28-LEAD PLCC PACKAGE
Pb-FREE PACKAGE
CASE 776-02**

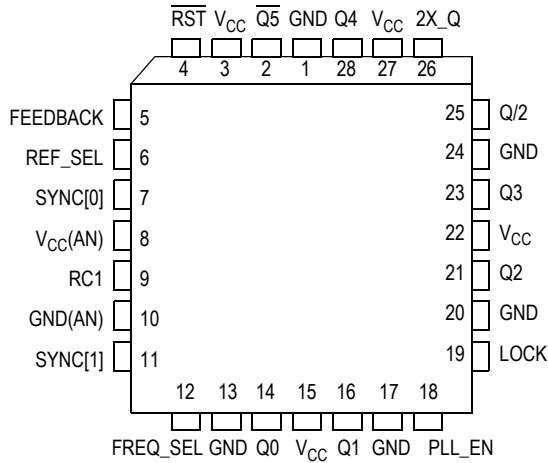


Figure 1. Pinout: 28-Lead PLCC (Top View)

Table 1. Pin Summary

Pin Name	Number	I/O	Function
SYNC[0]	1	Input	Reference clock input
SYNC[1]	1	Input	Reference clock input
REF_SEL	1	Input	Chooses reference between SYNC[0] and SYNC[1]
FREQ_SEL	1	Input	Selects Q output frequency
FEEDBACK	1	Input	Feedback input to phase detector
RC1	1	Input	Input for external RC network
Q(0–4)	5	Output	Clock output (locked to SYNC)
$\overline{Q5}$	1	Output	Inverse of clock output
2x_Q	1	Output	2 x clock output (Q) frequency (synchronous)
Q/2	1	Output	Clock output (Q) frequency $\div 2$ (synchronous)
LOCK	1	Output	Indicates phase lock has been achieved (high when locked)
\overline{RST}	1	Input	Asynchronous reset (active low)
PLL_EN	1	Input	Disables phase-lock for low frequency testing
V _{CC} , GND	11		Power and ground pins (note pins 8 and 10 are “quiet” supply pins for internal logic only)

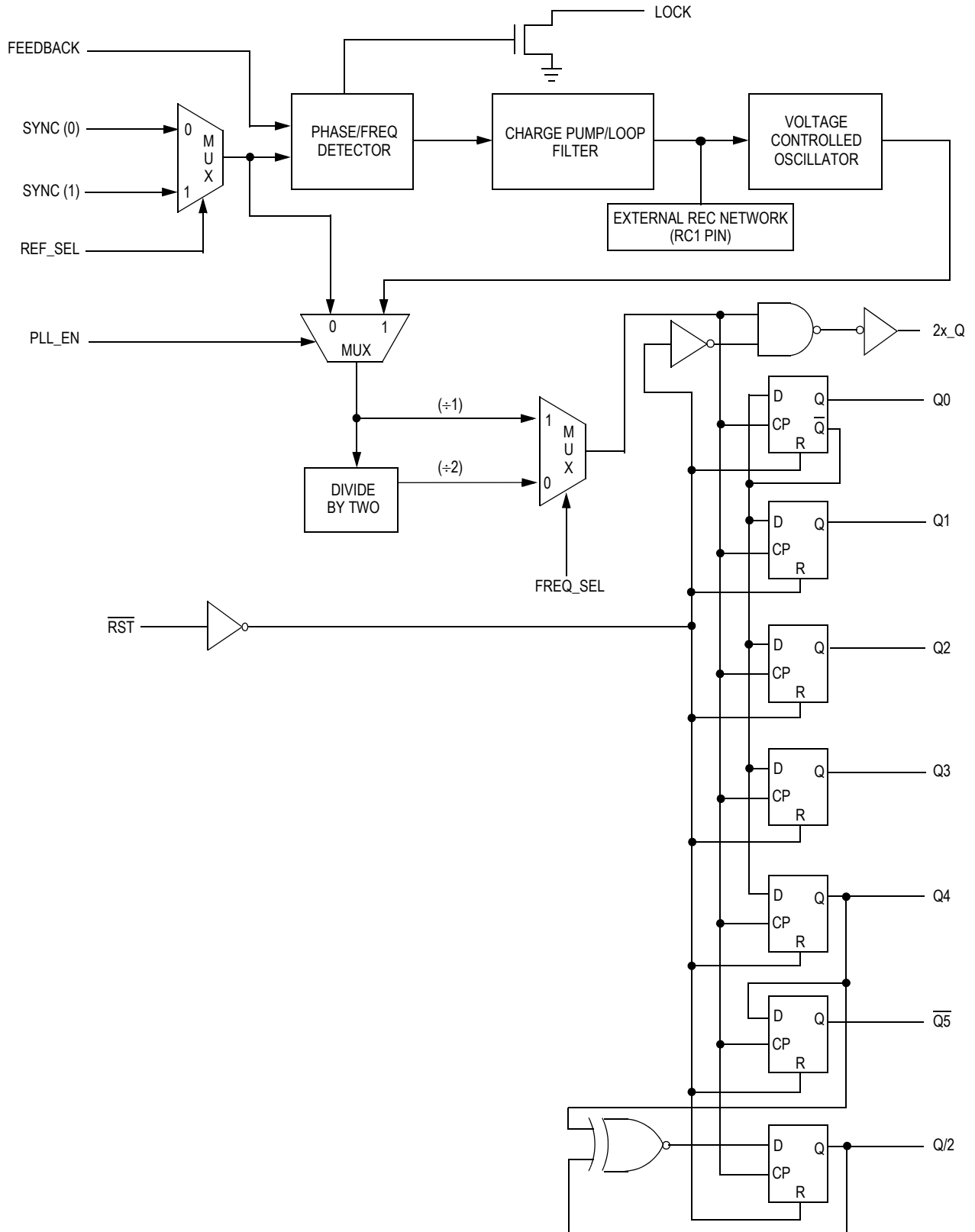


Figure 2. MC88915 Block Diagram

Table 2. DC Electrical Characteristics (Voltages Referenced to GND)

TA = 0°C to +70°C, VCC = 5.0 V ± 5%

Symbol	Parameter	Test Conditions	V _{CC} V	Target Limit	Unit
V _{IH}	Minimum High-Level Input Voltage	V _{out} = 0.1 V or V _{CC} - 0.1 V	4.75 5.25	2.0 2.0	V
V _{IL}	Maximum Low-Level Input Voltage	V _{out} = 0.1 V or V _{CC} - 0.1 V	4.75 5.25	0.8 0.8	V
V _{OH}	Minimum High-Level Output Voltage	V _{in} = V _{IH} or V _{IL} I _{OH} = -36 mA ⁽¹⁾	4.75 5.25	4.01 4.51	V
V _{OL}	Maximum Low-Level Output Voltage	V _{in} = V _{IH} or V _{IL} I _{OH} = 36 mA ⁽¹⁾	4.75 5.25	0.44 0.44	V
I _{in}	Maximum Input Leakage Current	V _I = V _{CC} or GND	5.25	± 1.0	μA
I _{CCT}	Maximum I _{CC} /Input	V _I = V _{CC} - 2.1 V	5.25	1.5 ⁽²⁾	mA
I _{OLD}	Minimum Dynamic Output Current ⁽³⁾	V _{OLD} = 1.0 V Maximum	5.25	88	mA
I _{OHD}		V _{OHD} = 3.85 V Minimum	5.25	-88	mA
I _{CC}	Maximum Quiescent Supply Current (per Package)	V _I = V _{CC} or GND	5.25	1.0	mA

1. IOL and IOH are 12 mA and -12 mA respectively for the LOCK output.
2. The PLL_EN input pin is not guaranteed to meet this specification.
3. Maximum test duration is 2.0ms, one output loaded at a time.

Table 3. Capacitance and Power Specifications

Symbol	Parameter	Typical Values	Unit	Conditions
C _{IN}	Input Capacitance	4.5	pF	V _{CC} = 5.0 V
C _{PD}	Power Dissipation Capacitance	40	pF	V _{CC} = 5.0 V
PD ₁	Power Dissipation @ 33 MHz with 50 Ω Thevenin Termination	15 mW/Output 120 mW/Device	mW	V _{CC} = 5.0 V T = 25°C
PD ₂	Power Dissipation @ 33 MHz with 50 Ω Parallel Termination to GND	37.5 mW/Output 300 mW/Device	mW	V _{CC} = 5.0 V T = 25°C

Table 4. SYNC Input Timing Requirements

Symbol	Parameter	Minimum		Maximum	Unit
t _{RISE/FALL}	Maximum Rise and Fall times, SYNC Inputs from 0.8 to 2.0 V	—		3.0	ns
t _{CYCLE}	Input Clock Period SYNC Inputs	FN55	FN70	200 ⁽¹⁾	ns
		36	28.5		
Duty Cycle	Input Duty Cycle SYNC Inputs	50% ± 25%			

1. Information in [Figure 5](#) and in Note 3. in the General AC Specification Notes describes this specification and its actual limits depending on application.

Table 5. Frequency Specifications (T_A = 0°C to +70 °C, V_{CC} = 5.0 V ± 5%, C_L = 5.0 pF)

Symbol	Parameter	Guaranteed Minimum		Unit
		MC88915FN55	MC88915FN70	
f _{max} ⁽¹⁾	Maximum Operating Frequency (2X_Q Output)	55	70	MHz
	Maximum Operating Frequency (Q0–Q4, Q5 Output)	27.5	35	MHz

1. Maximum Operating Frequency is guaranteed with the part in a phase-locked condition, and all outputs loaded at 50 pF.

Table 6. AC Electrical Characteristics ($T_A = 0^\circ\text{C}$ to $+70^\circ\text{C}$, $V_{CC} = 5.0\text{V} \pm 5\%$, $C_L = 50\text{pF}$)

Symbol	Parameter	Min	Max	Unit
t_{RISE}, t_{FALL} (Outputs)	Rise and Fall Times, all Outputs Into a 50 pF, 500 Ω Load (Between 0.2 V_{CC} and 0.8 V_{CC})	1.0	2.5	ns
$t_{RISE}, t_{FALL}^{(1)}$ (2X_Q Output)	Rise and Fall Time, 2X_Q Output Into a 20 pF Load With Termination specified in note 2 (Between 0.8 V and 2.0 V)	0.5	1.6	ns
$t_{Pulse\ Width}^{(1)}$ (Q0, Q1, Q3, Q4, Q5, Q/2)	Output Pulse Width (Q0, Q1, Q3, Q4, Q5, Q/2 @ $V_{CC}/2$)	$0.5t_{CYCLE} - 0.5$	$0.5t_{CYCLE} + 0.5$	ns
		$t_{CYCLE} = 1/\text{Freq. at which the "Q" Outputs are running}$		
$t_{Pulse\ Width}^{(1)}$ (Q2 only)	Output Pulse Width (Q2 Output @ $V_{CC}/2$)	$0.5t_{CYCLE} - 0.6$	$0.5t_{CYCLE} + 0.6$	ns
$t_{Pulse\ Width}^{(1)}$ (2X_Q Output)	Output Pulse Width (2X_Q Output @ 1.5 V) (See General AC Specification note 2)	$0.5t_{CYCLE} - 0.5$	$0.5t_{CYCLE} + 0.5$	ns
$t_{Pulse\ Width}^{(1)}$ (2X_Q Output)	Output Pulse Width (2X_Q Output @ $V_{CC}/2$)	$0.5t_{CYCLE} - 1.0$	$0.5t_{CYCLE} + 1.0$	ns
$t_{PD}^{(1)}$ (Sync-Feedback)	SYNC input to feedback delay (meas. @ SYNC0 or 1 and FEEDBACK input pins) (See General AC Specification Note 4. and Figure 4 for explanation)	(470 k Ω From RC1 to An. V_{CC})		ns
		-1.05	-0.50	
		(470 k Ω From RC1 to An. GND)		
		+1.25	+3.25	
$t_{SKEW_r}^{(2)}$ (Rising)	Output-to-Output Skew Between Outputs Q0 - Q4, Q/2 (Rising Edges Only)	—	500	ps
$t_{SKEW_f}^{(1), (2)}$ (Falling)	Output-to-Output Skew Between Outputs Q0 - Q4 (Falling Edges Only)	—	750	ps
$t_{SKEW_{all}}^{(1), (2)}$	Output-to-Output Skew Between Outputs 2X_Q, Q/2, Q0 - Q4 Rising, Q5 Falling	—	750	ps
t_{LOCK}	Time Required to acquire ⁽³⁾ Phase-Lock from time SYNC Input Signal is Received.	1	10	ms
t_{PHL} (Reset - Q)	Propagation Delay, RST to Any Output (High-Low)	1.5	13.5	ns

1. These specifications are not tested, they are guaranteed by statistical characterization. See General AC Specification note 1.
2. Under equally loaded conditions, $C_L \leq 50\text{ pF}$ ($\pm 2\text{ pF}$), and at a fixed temperature and voltage.
3. With V_{CC} fully powered-on and an output properly connected to the FEEDBACK pin. t_{LOCK} , Max. is with $C1 = 0.1\mu\text{F}$, t_{LOCK} Min. is with $C1 = 0.01\mu\text{F}$.

Table 7. Reset Timing Requirements⁽¹⁾

Symbol	Parameter	Minimum	Unit
$t_{REC}, \overline{\text{RST}}$ to SYNC	Reset Recovery Time rising $\overline{\text{RST}}$ edge to falling SYNC edge	9.0	ns
$t_w, \overline{\text{RST}}$ LOW	Minimum Pulse Width, $\overline{\text{RST}}$ input LOW	5.0	ns

1. These reset specs are valid only when PLL_EN is LOW and the part is in Test mode (not in phase-lock)

GENERAL AC SPECIFICATION NOTES

- Statistical characterization techniques were used to guarantee those specifications which cannot be measured on the ATE. MC88915 units were fabricated with key transistor properties intentionally varied to create a 14-cell designed experimental matrix. IC performance was characterized over a range of transistor properties (represented by the 14 cells) in excess of the expected process variation of the wafer fabrication area. In this way all units passing the ATE test will meet or exceed the non-tested specifications limits.
- These two specs ($t_{RISE/FALL}$ and t_{PULSE} Width $2X_Q$ output) guarantee the MC88915 meets the 25 MHz MC68040 P-Clock input specification (at 50 MHz). For these two specs to be guaranteed by Freescale Semiconductor, the termination scheme shown below in [Figure 3](#) must be used.
- The wiring diagrams and explanations in [Figure 7](#) demonstrate the input and output frequency relationships for three possible feedback configurations. The allowable SYNC input range for each case is also indicated. There are two allowable SYNC frequency ranges, depending whether $FREQ_SEL$ is high or low. Although not shown, it is possible to feed back the $\overline{Q5}$ output, thus creating a 180° phase shift between the SYNC input and the “Q” outputs. [Table 8](#) below summarizes the allowable SYNC frequency range for each possible configuration.

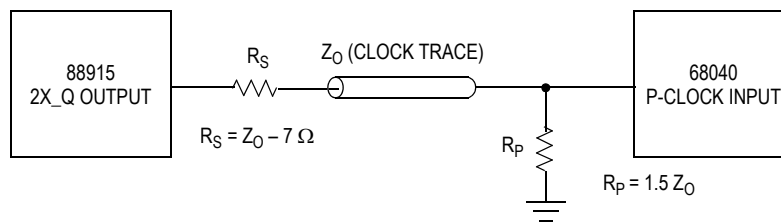
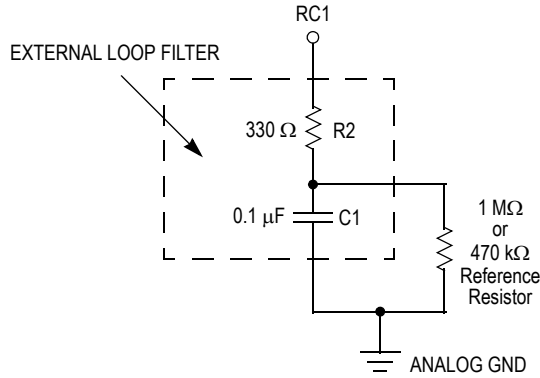


Figure 3. MC68040 P-Clock Input Termination Scheme

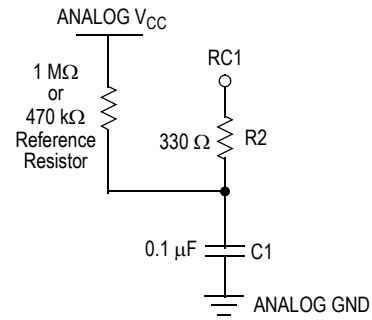
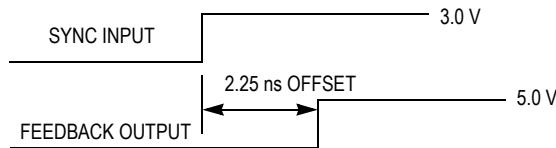
Table 8. Allowable SYNC Input Frequency Ranges for Different Feedback Configurations

FREQ_SEL Level	Feedback Output	Allowable SYNC Input Frequency Range (MHz)	Corresponding VCO Frequency Range	Phase Relationships of the “Q” Outputs to Rising SYNC Edge
HIGH	Q/2	5 to (2X_Q FMAX Spec)/4	20 to (2X_Q FMAX Spec)	0°
HIGH	Any “Q” (Q0–Q4)	10 to (2X_Q FMAX Spec)/2	20 to (2X_Q FMAX Spec)	0°
HIGH	$\overline{Q5}$	10 to (2X_Q FMAX Spec)/2	20 to (2X_Q FMAX Spec)	180°
HIGH	2X_Q	20 to (2X_Q FMAX Spec)	20 to (2X_Q FMAX Spec)	0°
LOW	Q/2	2.5 to (2X_Q FMAX Spec)/8	20 to (2X_Q FMAX Spec)	0°
LOW	Any “Q” (Q0–Q4)	5 to (2X_Q FMAX Spec)/4	20 to (2X_Q FMAX Spec)	0°
LOW	$\overline{Q5}$	5 to (2X_Q FMAX Spec)/4	20 to (2X_Q FMAX Spec)	180°
LOW	2X_Q	10 to (2X_Q FMAX Spec)/2	20 to (2X_Q FMAX Spec)	0°

- A $1\text{ M}\Omega$ resistor tied to either Analog V_{CC} or Analog GND, depicted in [Figure 4](#), is required to ensure no jitter is present on the MC88915 outputs. This technique causes a phase offset between the SYNC input and the output connected to the FEEDBACK input, measured at the input pins. The t_{PD} spec describes how this offset varies with process, temperature, and voltage. The specs were determined by measuring the phase relationship for the 14 lots described in Note 1 while the part was in phase-locked operation. The actual measurements were made with a 10 MHz SYNC input (1.0 ns edge rate from 0.8 V – 2.0 V) with the Q/2 output fed back. The phase measurements were made at 1.5 V. The Q/2 output was terminated at the FEEDBACK input with $100\ \Omega$ to V_{CC} and $100\ \Omega$ to ground.



With the 470 kΩ resistor tied in this fashion, the t_{PD} specification measured at the input pins is:
 $t_{PD} = 2.25 \text{ ns} \pm 1.0 \text{ ns}$



With the 470 kΩ resistor tied in this fashion, the t_{PD} specification measured at the input pins is:
 $t_{PD} = -0.775 \text{ ns} \pm 0.275 \text{ ns}$

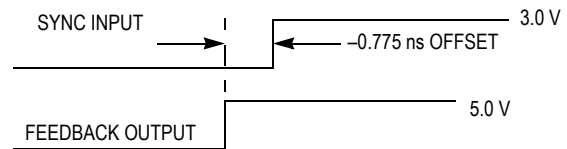


Figure 4. Depiction of the Fixed SYNC to Feedback Offset (t_{PD}) Which is Present When a 470 kΩ Resistor is Tied to V_{CC} or Ground

5. The t_{SKEW_r} specification guarantees the rising edges of outputs Q/2, Q0, Q1, Q2, Q3, and Q4 will always fall within a 500 ps window within one part. However, if the relative position of each output within this window is not specified, the 500 ps window must be added to each side of the t_{PD} specification limits to calculate the total part-to-part skew. For this reason, the absolute distribution of these outputs are provided in [Table 9](#). When taking the skew data, Q0 was used as a reference, so all measurements are relative to this output. The information in [Table 9](#) is derived from measurements taken from the 14 process lots described in Note 1, over the temperature and voltage range.

6. Calculation of Total Output-to-Skew Between Multiple Parts (Part-to-Part Skew)

By combining the t_{PD} specification and the information in Note 5, the worst case output-to-output skew between multiple 88915s connected in parallel can be calculated. This calculation assumes all parts have a common SYNC input clock with equal delay of input signal to each part. This skew value is valid at the 88915 output pins only (equally loaded), it does not include PCB trace delays due to varying loads.

With a 1.0 MΩ resistor tied to analog V_{CC} as shown in Note 4, the t_{PD} spec. limits between SYNC and the Q/2 output (connected to the FEEDBACK pin) are -1.05 ns and -0.5 ns . To calculate the skew of any given output between two or more parts, the absolute value of the distribution of the output given in [Table 9](#) must be subtracted and added to the lower and upper t_{PD} spec limits respectively. For output Q2, $[276 - (-44)] = 320 \text{ ps}$ is the absolute value of the distribution. Therefore, $[-1.05 \text{ ns} -$

Table 9. Relative Positions of Outputs Q/2, Q0–Q4, 2X_Q Within the 500 ps t_{SKEW_r} Spec Window

Output	- (ps)	+ (ps)
Q0	0	0
Q1	-72	40
Q2	-44	276
Q3	-40	255
Q4	-274	-34
Q/2	-16	250
2X_Q	-633	-35

$0.32 \text{ ns}] = -1.37 \text{ ns}$ is the lower t_{PD} limit, and $[-0.5 \text{ ns} + 0.32 \text{ ns}] = -0.18 \text{ ns}$ is the upper limit. Therefore, the worst case skew of output Q2 between any number of parts is $|(-1.37) - (-0.18)| = 1.19 \text{ ns}$. Q2 has the worst case skew distribution of any output, so 1.2 ns is the absolute worst case output-to-output skew between multiple parts.

7. Note 4 explains that the t_{PD} specification was measured and is guaranteed for the configuration of the Q/2 output connected to the FEEDBACK pin and the SYNC input running at 10 MHz. The fixed offset (t_{PD}) as described above has some dependence on the input frequency and at what frequency the VCO is running. The graphs of [Figure 5](#) demonstrate this dependence.

The data presented in [Figure 5](#) is from devices representing process extremes, and the measurements were also taken at the voltage extremes ($V_{CC} = 5.25 \text{ V}$ and 4.75 V). Therefore, the data in [Figure 5](#) is a realistic representation of the variation of t_{PD} .

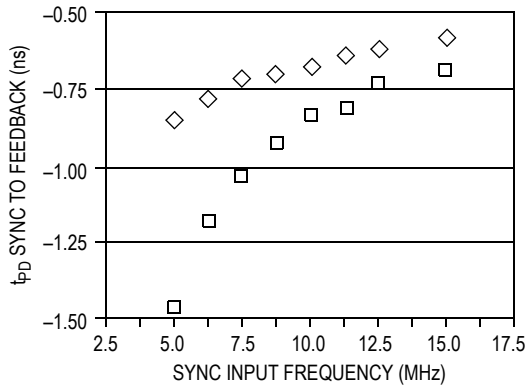


Figure 5a

t_{PD} versus Frequency Variation for Q/2 Output Fed Back, Including Process and Voltage Variation @ 25°C (with 1.0 MΩ Resistor Tied to Analog V_{CC})

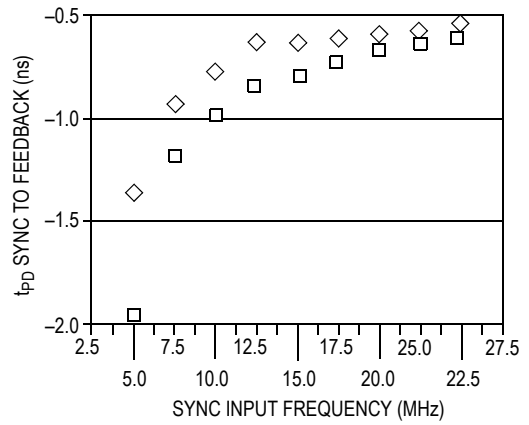


Figure 5b

t_{PD} versus Frequency Variation for Q4 Output Fed Back, Including Process and Voltage Variation @ 25°C (with 1.0 MΩ Resistor Tied to Analog V_{CC})

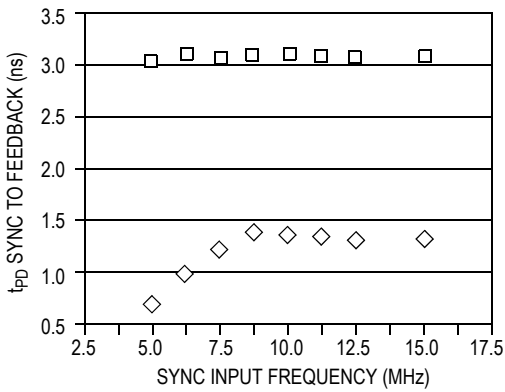


Figure 5c

t_{PD} versus Frequency Variation for Q/2 Output Fed Back, Including Process and Voltage Variation @ 25°C (with 1.0 MΩ Resistor Tied to Analog GND)

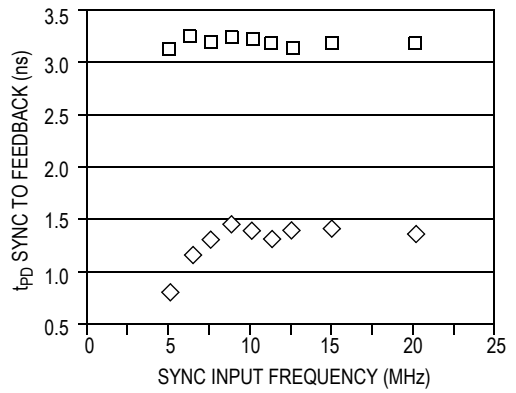


Figure 5d

t_{PD} versus Frequency Variation for Q4 Output Fed Back, Including Process and Voltage Variation @ 25°C (with 1.0 MΩ Resistor Tied to Analog GND)

Figure 5. Graphs

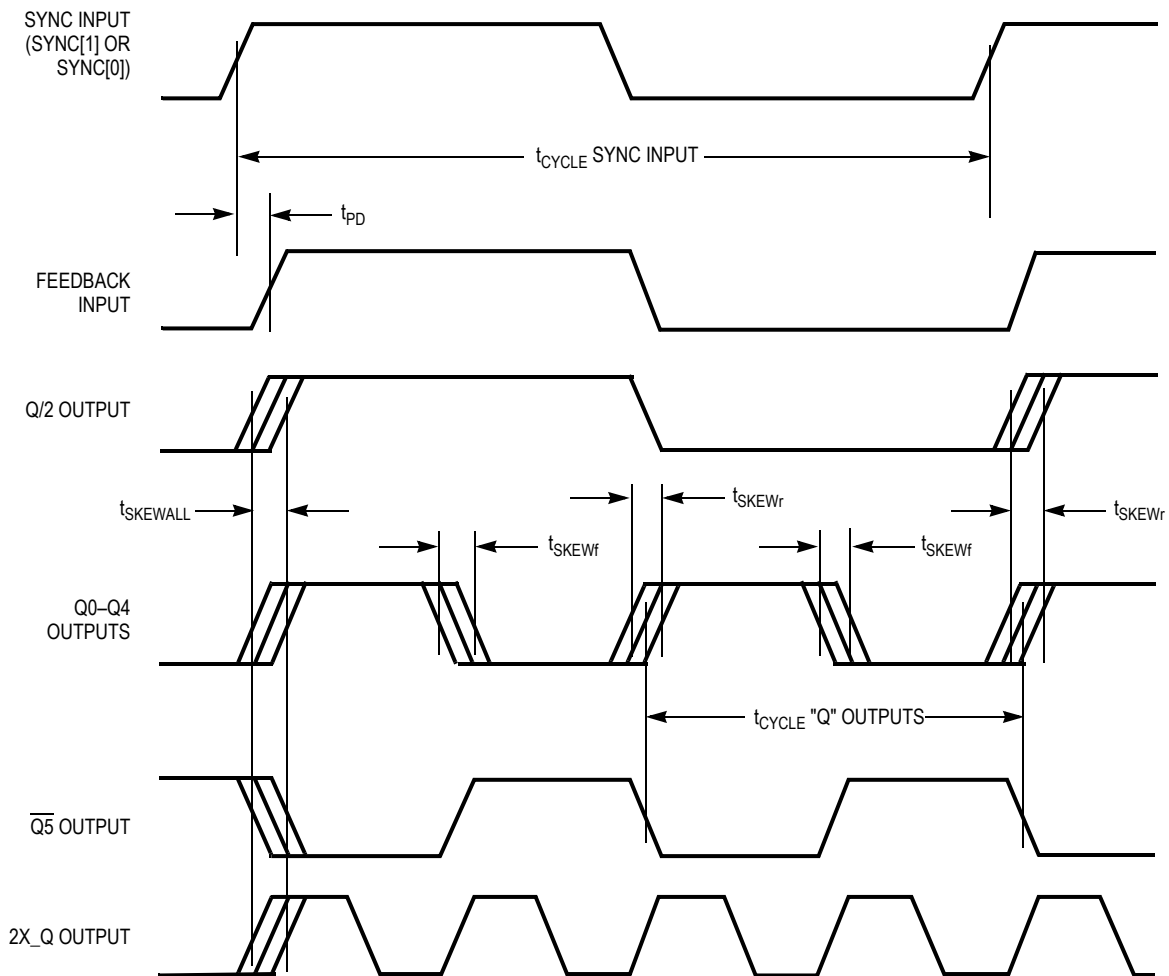


Figure 6. Output/Input Switching Waveforms and Timing Diagrams
(These waveforms represent the hook-up configuration of [Figure 7a.](#))

TIMING NOTES:

1. The MC88915 aligns rising edges of the FEEDBACK input and SYNC input; therefore, the SYNC input does not require a 50% duty cycle.
2. All skew specs are measured between the VCC/2 crossing point of the appropriate output edges. All skews are specified as "windows," not as a \pm deviation around a center point.
3. If a "Q" output is connected to the FEEDBACK input (this situation is not shown), the "Q" output frequency would match the SYNC input frequency, the 2X_Q output would run at twice the SYNC frequency, and the Q/2 output would run at half the SYNC frequency.

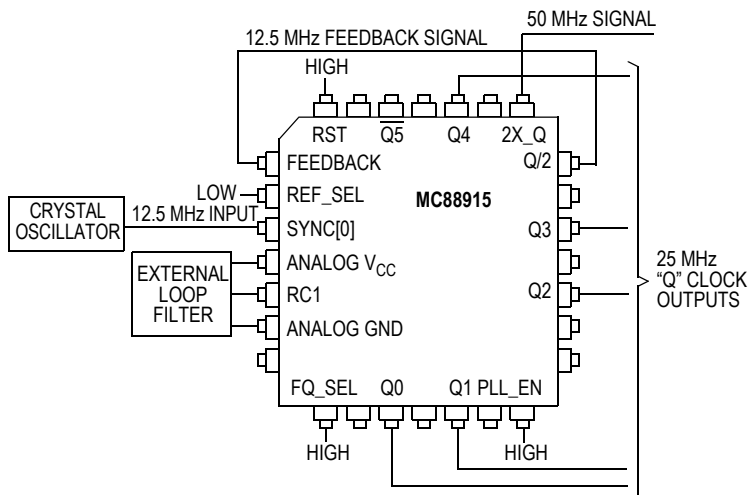


Figure 7a. Wiring Diagram and Frequency Relationships with Q/2 Output Feedback

1:2 Input to "Q" Output Frequency Relationship

In this application, the Q/2 output is connected to the FEEDBACK input. The internal PLL will line up the positive edges of Q/2 and SYNC, thus the Q/2 frequency will equal the SYNC frequency. The "Q" outputs (Q0–Q4, Q5) will always run at 2X the Q/2 frequency, and the 2X_Q output will run at 4X the Q/2 frequency.

Allowable Input Frequency Range:

5 MHz to $(2X_Q \text{ FMAX Spec})/4$ (for FREQ_SEL HIGH)
2.5 MHz to $(2X_Q \text{ FMAX Spec})/8$ (for FREQ_SEL LOW)

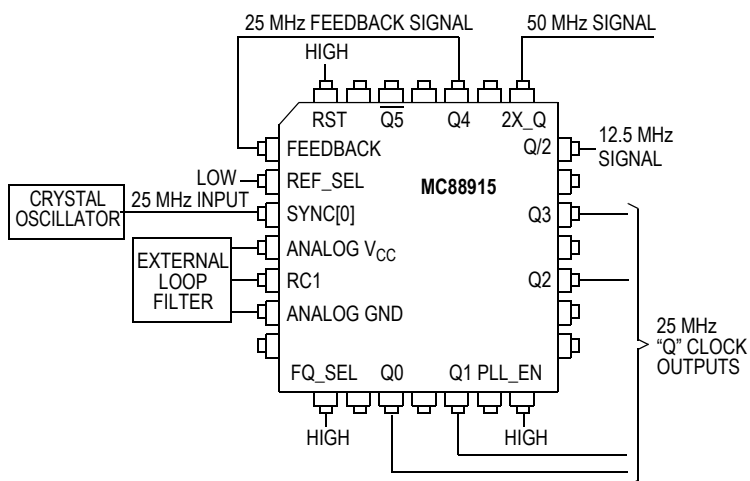


Figure 7b. Wiring Diagram and Frequency Relationships with Q4 Output Feedback

1:1 Input to "Q" Output Frequency Relationship

In this application, the Q4 output is connected to the FEEDBACK input. The internal PLL will line up the positive edges of Q4 and SYNC, thus the Q4 frequency (and the rest of the "Q" outputs) will equal the SYNC frequency. The Q/2 output will always run at 1/2 the "Q" frequency, and the 2X_Q output will run at 2X the "Q" frequency.

Allowable Input Frequency Range:

10 MHz to $(2X_Q \text{ FMAX Spec})/2$ (for FREQ_SEL HIGH)
5 MHz to $(2X_Q \text{ FMAX Spec})/4$ (for FREQ_SEL LOW)

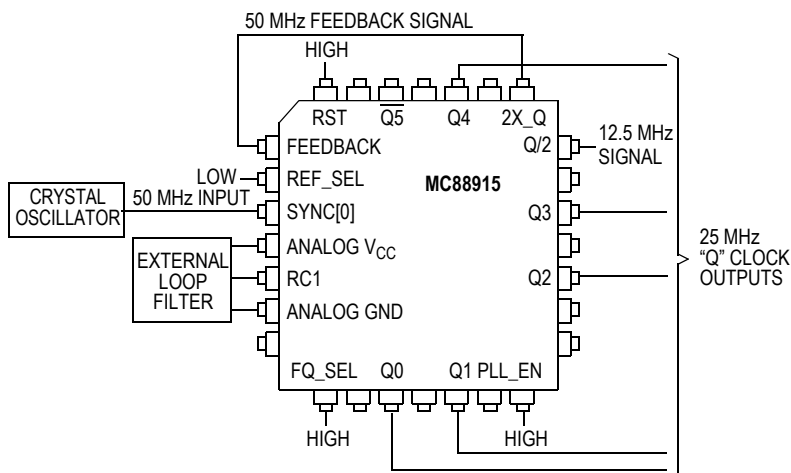


Figure 7c. Wiring Diagram and Frequency Relationships with 2X_Q Output Feedback

2:1 Input to "Q" Output Frequency Relationship

In this application, the 2X_Q output is connected to the FEEDBACK input. The internal PLL will line up the positive edges of 2X_Q and SYNC, thus the 2X_Q frequency will equal the SYNC frequency. The Q/2 output will always run at 1/4 the 2X_Q frequency, and the "Q" outputs will run at 1/2 the 2X_Q frequency.

Allowable Input Frequency Range:

20 MHz to $(2X_Q \text{ FMAX Spec})$ (for FREQ_SEL HIGH)
10 MHz to $(2X_Q \text{ FMAX Spec})/2$ (for FREQ_SEL LOW)

Figure 7. Wiring Diagrams

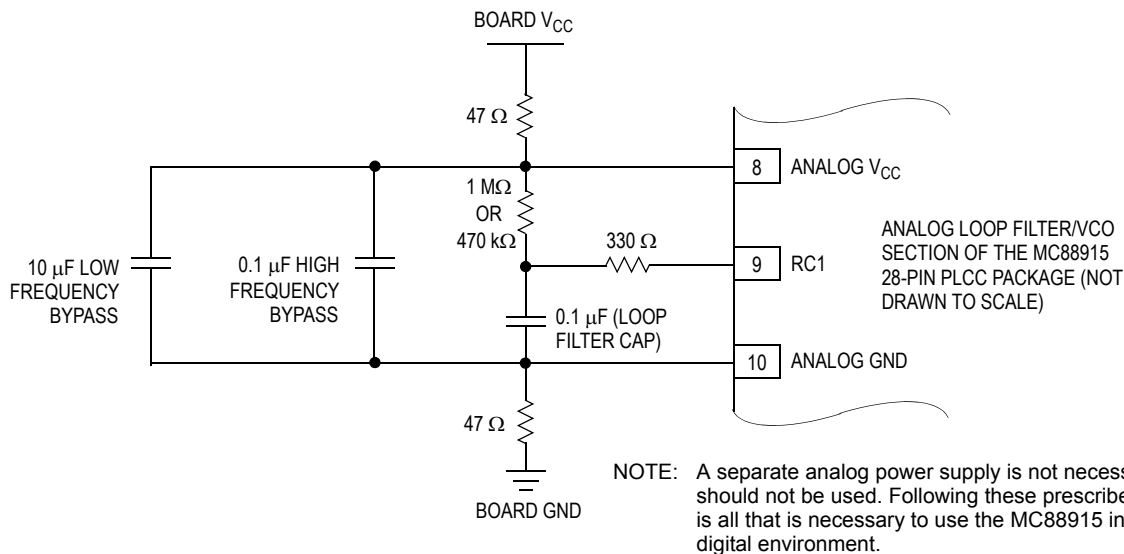


Figure 8. Recommended Loop Filter and Analog Isolation Scheme for the MC88915

NOTES CONCERNING LOOP FILTER AND BOARD LAYOUT ISSUES

1. Figure 8 shows a loop filter and analog isolation scheme which will be effective in most applications. The following guidelines should be followed to ensure stable and jitter-free operation:
 - a. All loop filter and analog isolation components should be tied as close to the package as possible. Stray current passing through the parasitics of long traces can cause undesirable voltage transients at the RC1 pin.
 - b. The 47 Ω resistors, the 10 μF low frequency bypass capacitor, and the 0.1 μF high frequency bypass capacitor form a wide bandwidth filter minimizing the 88915's sensitivity to voltage transients from the system digital V_{CC} supply and ground planes. This filter will typically ensure a 100 mV step deviation on the digital V_{CC} supply, causing no more than a 100 ps phase deviation of the 88915 outputs. A 250 mV step deviation on V_{CC} using the recommended filter values should cause no more than 250 ps phase deviation; if a 25 μF bypass capacitor is used (instead of 10 μF) a 250 mV V_{CC} step should cause no more than a 100 ps phase deviation.
If good bypass techniques are used on a board design near components potentially causing digital V_{CC} and ground noise, the above described V_{CC} step deviations should not occur at the 88915's digital V_{CC} supply. The purpose of the bypass filtering scheme shown in Figure 8 is to give the 88915 additional protection from the power supply and ground plane transients potentially occurring in a high frequency, high speed digital system.
 - c. There are no special requirements set forth for the loop filter resistors (1 MΩ or 470 KΩ and 330 Ω). The loop filter capacitor (0.1 μF) can be a ceramic chip capacitor, the same as a standard bypass capacitor.
 - d. The 1 MΩ or 470 KΩ reference resistor injects current into the internal charge pump of the PLL, causing a fixed offset between the outputs and the SYNC input. This also prevents excessive jitter caused by inherent PLL dead-band. If the VCO (2X_Q output) is running above 40 MHz, the 470 KΩ resistor provides the correct amount of current injection into the charge pump (2–3 μA). If the VCO is running below 40 MHz, a 1.0 MΩ reference resistor should be used (instead of 470 KΩ).
2. In addition to the bypass capacitors used in the analog filter of Figure 8, there should be a 0.1 μF bypass capacitor between each of the other (digital) four V_{CC} pins and the board ground plane. This will reduce output switching noise caused by the 88915 outputs, in addition to reducing potential for noise in the "analog" section of the chip. These bypass capacitors should also be tied as close to the 88915 package as possible.

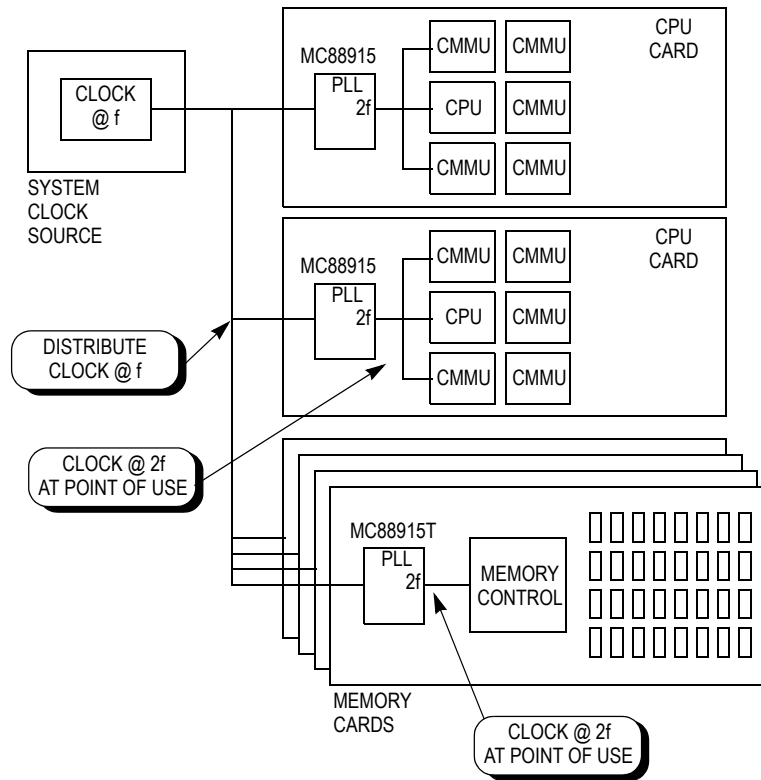


Figure 9. Representation of a Potential Multi-Processing Application Utilizing the MC88915 for Frequency Multiplication and Low Board-to-Board Skew

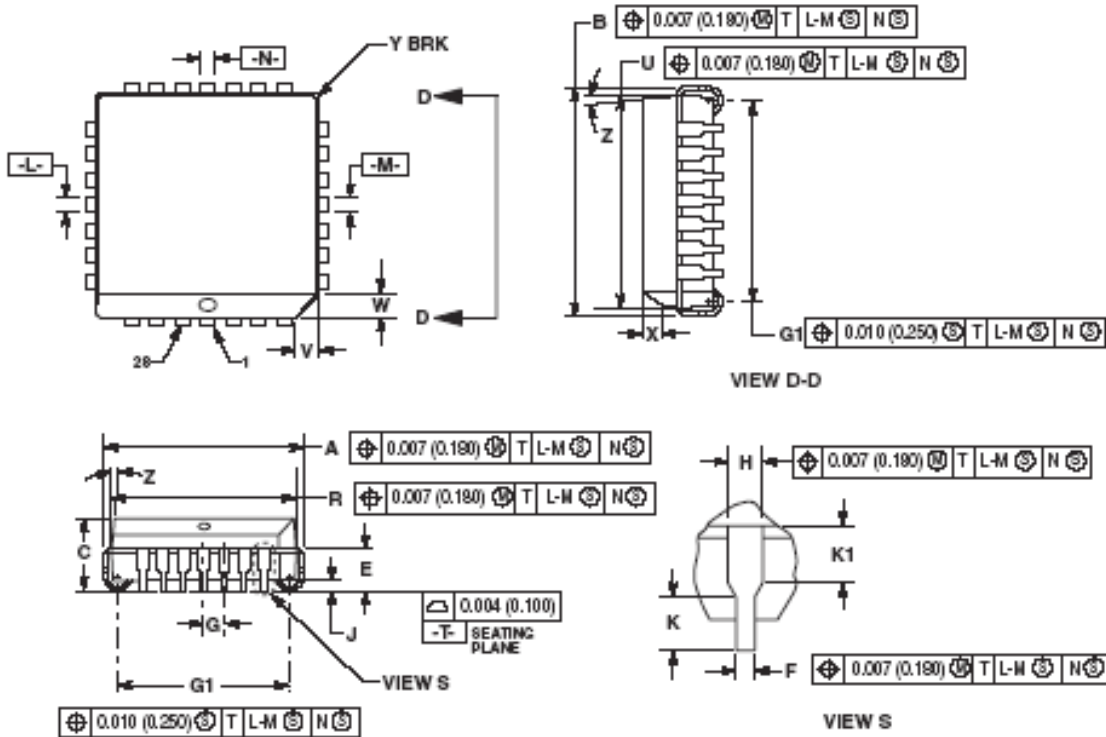
MC88915 SYSTEM LEVEL TESTING FUNCTIONALITY

When the PLL_EN pin is low, the VCO is disabled and the 88915 is in low frequency “test mode”. In test mode (with FREQ_SEL high), the 2X_Q output is inverted from the selected SYNC input, and the “Q” outputs are divide-by-2 (negative edge triggered) of the SYNC input, and the Q/2 output is divide-by-4. With FREQ_SEL low the 2X_Q output is divide-by-2 of the SYNC, the “Q” outputs divide-by-4, and the Q/2 output divide-by-8. These relationships can be seen on the block diagram. A recommended test configuration

would be to use SYNC0 as the test clock input, and tie PLL_EN and REF_SEL together and connect them to the test select logic. When these inputs are low, the 88915 is in test mode and the SYNC0 input is selected.

This functionality is needed since most board-level testers run at 1 MHz or below, and the 88915 cannot lock onto that low of an input frequency. In the test mode described above, any frequency test signal can be used.

PACKAGE DIMENSIONS



- NOTES:
- DATUMS -L, -M, AND -N DETERMINED WHERE TOP OF LEAD SHOULDER EXISTS PLASTIC BODY AT MOLD PARTING LINE.
 - DIMENSION G1, TRUE POSITION TO BE MEASURED AT DATUM -T, SEATING PLANE.
 - DIMENSIONS R AND U DO NOT INCLUDE MOLD FLASH. ALLOWABLE MOLD FLASH IS 0.010 (0.250) PER SIDE.
 - DIMENSIONING AND TOLERANCING PER ANSI Y14.5M, 1982.
 - CONTROLLING DIMENSION: INCH.
 - THE PACKAGE TOP MAY BE SMALLER THAN THE PACKAGE BOTTOM BY UP TO 0.012 (0.300). DIMENSIONS R AND U ARE DETERMINED AT THE OUTER MOST EXTREMES OF THE PLASTIC BODY EXCLUSIVE OF MOLD FLASH, TIE BAR BURRS, GATE BURRS AND INTERLEAD FLASH, BUT INCLUDING ANY MISMATCH BETWEEN THE TOP AND BOTTOM OF THE PLASTIC BODY.
 - DIMENSION H DOES NOT INCLUDE DAMBAR PROTRUSION OR INTRUSION. THE DAMBAR PROTRUSION(S) SHALL NOT CAUSE THE H DIMENSION TO BE GREATER THAN 0.037 (0.940). THE DAMBAR INTRUSION(S) SHALL NOT CAUSE THE H DIMENSION TO BE SMALLER THAN 0.025 (0.835).

DIM	INCHES		MILLIMETERS	
	MIN	MAX	MIN	MAX
A	0.485	0.495	12.32	12.57
B	0.485	0.495	12.32	12.57
C	0.185	0.180	4.70	4.57
E	0.090	0.110	2.29	2.79
F	0.013	0.019	0.33	0.48
G	0.050 BSC		1.27 BSC	
H	0.028	0.032	0.66	0.81
J	0.020	--	0.51	--
K	0.025	--	0.64	--
R	0.450	0.459	11.43	11.59
U	0.450	0.459	11.43	11.59
V	0.042	0.048	1.07	1.21
W	0.042	0.048	1.07	1.21
X	0.042	0.052	1.07	1.42
Y	--	0.020	--	0.50
Z	2"	10"	2	10
G1	0.410	0.430	10.42	10.92
K1	0.040	--	1.02	--

CASE 776-02
ISSUE D
PLCC PLASTIC PACKAGE

MC88915

LOW SKEW CMOS PLL CLOCK DRIVERS

Innovate with IDT and accelerate your future networks. Contact:

www.IDT.com

For Sales

800-345-7015
408-284-8200
Fax: 408-284-2775

For Tech Support

netcom@idt.com
480-763-2056

Corporate Headquarters

Integrated Device Technology, Inc.
6024 Silver Creek Valley Road
San Jose, CA 95138
United States
800 345 7015
+408 284 8200 (outside U.S.)

Asia Pacific and Japan

Integrated Device Technology
Singapore (1997) Pte. Ltd.
Reg. No. 199707558G
435 Orchard Road
#20-03 Wisma Atria
Singapore 238877
+65 6 887 5505

Europe

IDT Europe, Limited
321 Kingston Road
Leatherhead, Surrey
KT22 7TU
England
+44 (0) 1372 363 339
Fax: +44 (0) 1372 378851

