

阅读申明

- 1.本站收集的数据手册和产品资料都来自互联网，版权归原作者所有。如读者和版权方有任何异议请及时告之，我们将妥善解决。
- 2.本站提供的中文数据手册是英文数据手册的中文翻译，其目的是协助用户阅读，该译文无法自动跟随原稿更新，同时也可能存在翻译上的不当。建议读者以英文原稿为参考以便获得更精准的信息。
- 3.本站提供的产品资料，来自厂商的技术支持或者使用者的心得体会等，其内容可能存在描述上的差异，建议读者做出适当判断。
- 4.如需与我们联系，请发邮件到marketing@iczoom.com，主题请标有“数据手册”字样。

Read Statement

1. The datasheets and other product information on the site are all from network reference or other public materials, and the copyright belongs to the original author and original published source. If readers and copyright owners have any objections, please contact us and we will deal with it in a timely manner.
2. The Chinese datasheets provided on the website is a Chinese translation of the English datasheets. Its purpose is for reader's learning exchange only and do not involve commercial purposes. The translation cannot be automatically updated with the original manuscript, and there may also be improper translations. Readers are advised to use the English manuscript as a reference for more accurate information.
3. All product information provided on the website refer to solutions from manufacturers' technical support or users the contents may have differences in description, and readers are advised to take the original article as the standard.
4. If you have any questions, please contact us at marketing@iczoom.com and mark the subject with "Datasheets" .

3.3 VOLT ZERO DELAY, LOW SKEW BUFFER

MK2308-1H

Description

The MK2308-1H is a low phase noise, high-speed PLL based, 8-output, low skew zero delay buffer. Based on IDT's proprietary low jitter Phase Locked Loop (PLL) techniques, the device provides eight low skew outputs at speeds up to 133 MHz at 3.3 V. The outputs can be generated from the PLL (for zero delay), or directly from the input (for testing), and can be set to tri-state mode or to stop at a low level. For normal operation as a zero delay buffer, any output clock is tied to the FBIN pin.

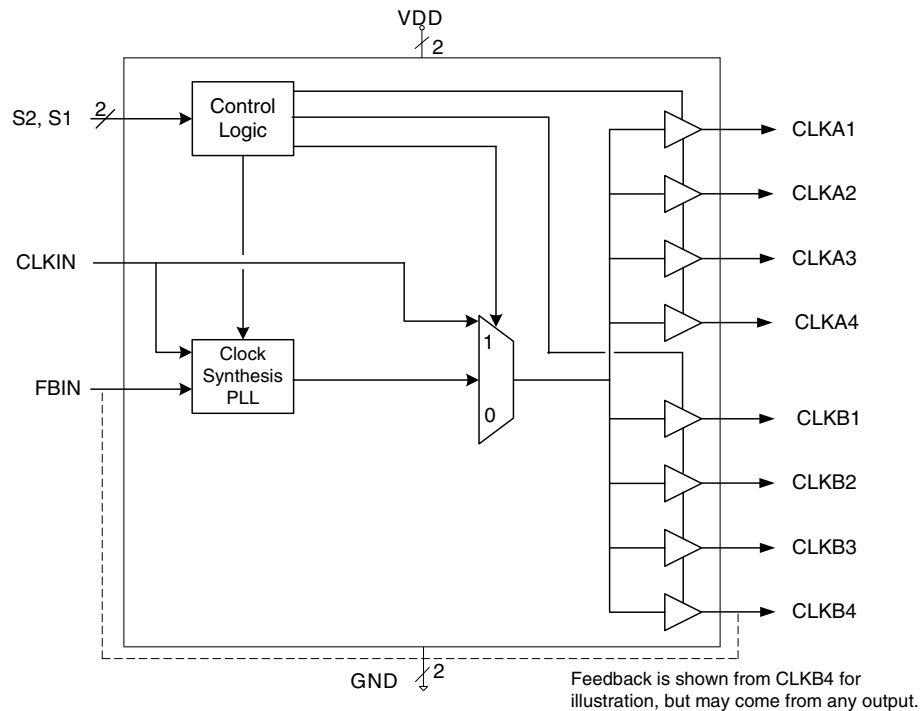
IDT manufactures a large variety of clock generators and buffers.

Features

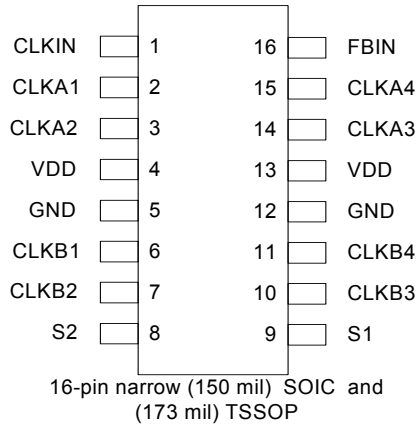
- Clock outputs from 10 to 133 MHz
- Zero input-output delay
- Eight low skew (<200 ps) outputs
- Device-to-device skew <700 ps
- Full CMOS outputs with 25 mA output drive capability at TTL levels
- 5 V tolerant FBIN and CLKIN pins
- Tri-state mode for board-level testing
- Advanced, low-power, sub-micron CMOS process
- Operating voltage of 3.3 V
- Industrial temperature range available
- Packaged in 16-pin SOIC and TSSOP packages
- Available in Pb (lead) free package
- Industrial and commercial temp operation

NOTE: EOL for non-green parts to occur on 5/13/10 per PDN U-09-01

Block Diagram



Pin Assignment



Output Clock Mode Select Table

| S2 | S1 | CLKA1:A4 | CLKB1:B4 | A & B Source | PLL Status |
|----|----|--------------------|--------------------|----------------|------------|
| 0 | 0 | Tri-state (note 1) | Tri-state (note 1) | PLL | OFF |
| 0 | 1 | Running | Tri-state (note 1) | PLL | ON |
| 1 | 0 | Running | Running | CLKIN (note 2) | OFF |
| 1 | 1 | Running | Running | PLL | ON |

Note 1. Outputs are in high impedance state

Note 2. Buffer mode only; not zero delay between input and output

Pin Descriptions

| Pin Number | Pin Name | Pin Type | Pin Description |
|------------|----------|----------|--|
| 1 | CLKIN | Input | Clock input (5 V tolerant). |
| 2 - 3 | CLKA1:A4 | Output | Clock outputs A1:A4. See table above. |
| 4 | VDD | Power | Power supply. Connect to 3.3 V. |
| 5 | GND | Power | Connect to ground. |
| 6 - 7 | CLKB1:B4 | Output | Clock outputs B1:B4. See table above. |
| 8 | S2 | Input | Select input 2. See table above. Internal pull-up. |
| 9 | S1 | Input | Select input 1. See table above. Internal pull-up. |
| 10 - 11 | CLKB1:B4 | Output | Clock outputs B1:B4. See table above. |
| 12 | GND | Power | Connect to ground. |
| 13 | VDD | Power | Power supply. Connect to 3.3 V. |
| 14 - 15 | CLKA1:A4 | Output | Clock outputs A1:A4. See table above. |
| 16 | FBIN | Input | Feedback input. Connect to any output under normal operation (5 V tolerant). |

External Components

The MK2308-1H requires a minimum number of external components for proper operation. Decoupling capacitors of 0.01 mF should be connected between VDD and GND on pins 4 and 5, and VDD and GND on pins 13 and 12, as close to the device as possible. A series termination resistor of 33Ω may be used to each clock output pin to reduce reflections.

Absolute Maximum Ratings

Stresses above the ratings listed below can cause permanent damage to the MK2308-1H. These ratings, which are standard values for IDT commercially rated parts, are stress ratings only. Functional operation of the device at these or any other conditions above those indicated in the operational sections of the specifications is not implied. Exposure to absolute maximum rating conditions for extended periods can affect product reliability. Electrical parameters are guaranteed only over the recommended operating temperature range.

| Item | Rating |
|-------------------------------|---------------------|
| Supply Voltage, VDD | 7 V |
| All Inputs and Outputs | -0.5 V to VDD+0.5 V |
| CLKIN and FBIN inputs | -0.5 V to 5.5 V |
| Electrostatic Discharge | 2000 V |
| Ambient Operating Temperature | 0 to +70° C |
| Industrial Temperature | -40 to +85° C |
| Storage Temperature | -65 to +150° C |
| Junction Temperature | 150° C |
| Soldering Temperature | 260° C |

Recommended Operation Conditions

| Parameter | Min. | Typ. | Max. | Units |
|---|------|------|------|-------|
| Ambient Operating Temperature | -40 | | +85 | °C |
| Power Supply Voltage (measured in respect to GND) | +3.0 | | +3.6 | V |

DC Electrical Characteristics

VDD=3.3 V ±10%, Ambient temperature -40 to +85° C (Industrial), 0 to 70° C (Commercial)

| Parameter | Symbol | Conditions | Min. | Typ. | Max. | Units |
|---------------------|-----------------|--------------------------|------|------|------|-------|
| Operating Voltage | VDD | | 3.0 | | 3.6 | V |
| Input High Voltage | V _{IH} | | 2 | | | V |
| Input Low Voltage | V _{IL} | | | | 0.8 | V |
| Input Low Current | I _{IL} | V _{IN} = 0V | | | 50 | μA |
| Input High Current | I _{IH} | V _{IN} = VDD | | | 100 | μA |
| Output High Voltage | V _{OH} | I _{OH} = -12 mA | 2.4 | | | V |
| Output Low Voltage | V _{OL} | I _{OL} = 12 mA | | | 0.4 | V |

| Parameter | Symbol | Conditions | Min. | Typ. | Max. | Units |
|---------------------------------|----------|---------------------------------|---------|----------|------|---------------|
| Output High Voltage, CMOS level | V_{OH} | $I_{OH} = -4 \text{ mA}$ | VDD-0.4 | | | V |
| Operating Supply Current | IDD | No Load, S2 = 1, S1 = 1, Note 1 | | | 70 | mA |
| Power Down Supply Current | IDDPD | CLKIN = 0, S2 = 0, S1 = 1 | | 12 | | μA |
| | | CLKIN = 0, Note 2 | | 12 | | μA |
| Short Circuit Current | I_{OS} | Each output | | ± 70 | | mA |
| Input Capacitance | C_{IN} | S2, S1, FBIN | | 5 | | pF |

AC Electrical Characteristics

VDD = 3.3 V $\pm 10\%$, Ambient Temperature -40 to +85°C (Industrial), 0 to 70°C (Commercial)

| Parameter | Symbol | Conditions | Min. | Typ. | Max. | Units |
|-------------------------|----------|--|------|------|-----------|-------|
| Input Clock Frequency | f_{IN} | See table on page 2 | 10 | | 133 | MHz |
| Output Clock Frequency | | See table on page 2 | 10 | | 133 | MHz |
| Output Rise Time | t_{OR} | 0.8 to 2.0V, CL=30pF | | | 1.5 | ns |
| Output Fall Time | t_{OF} | 2.0 to 0.8V, CL=30pF | | | 1.25 | ns |
| Output Clock Duty Cycle | t_{DC} | measured at VDD/2 | 45 | 50 | 55 | % |
| Device to Device Skew | | rising edges at VDD/2 | | | 700 | ps |
| Output to Output Skew | | rising edges at VDD/2 | | | 200 | ps |
| Input to Output Skew | | rising edges at VDD/2, FBIN to CLKA4, S1 = 1, S0 = 1, Note 1 | | | ± 250 | ps |
| Maximum Absolute Jitter | | CL=15 pF, measured at 66.67M | | 130 | | ps |
| Cycle to Cycle Jitter | | CL=30 pF, measured at 66.67M | | | 200 | ps |
| | | CL=15 pF, measured at 66.67M | | | 200 | ps |
| | | CL=15 pF, measured at 133.33M | | | 100 | ps |
| PLL Lock Time | | Note 3 | | | 1.0 | ms |

Note 1: With CLKIN = 100 MHz, FBIN to CLKA4, all outputs at 100 MHz

Note 2: When there is no clock signal present at CLKIN, the MK2308-1H will enter power down mode. The PLL is stopped and the outputs are tri-state.

Note 3: With VDD at a steady rate and valid clocks at CLKIN and FBIN

Thermal Characteristics 16TSSOP

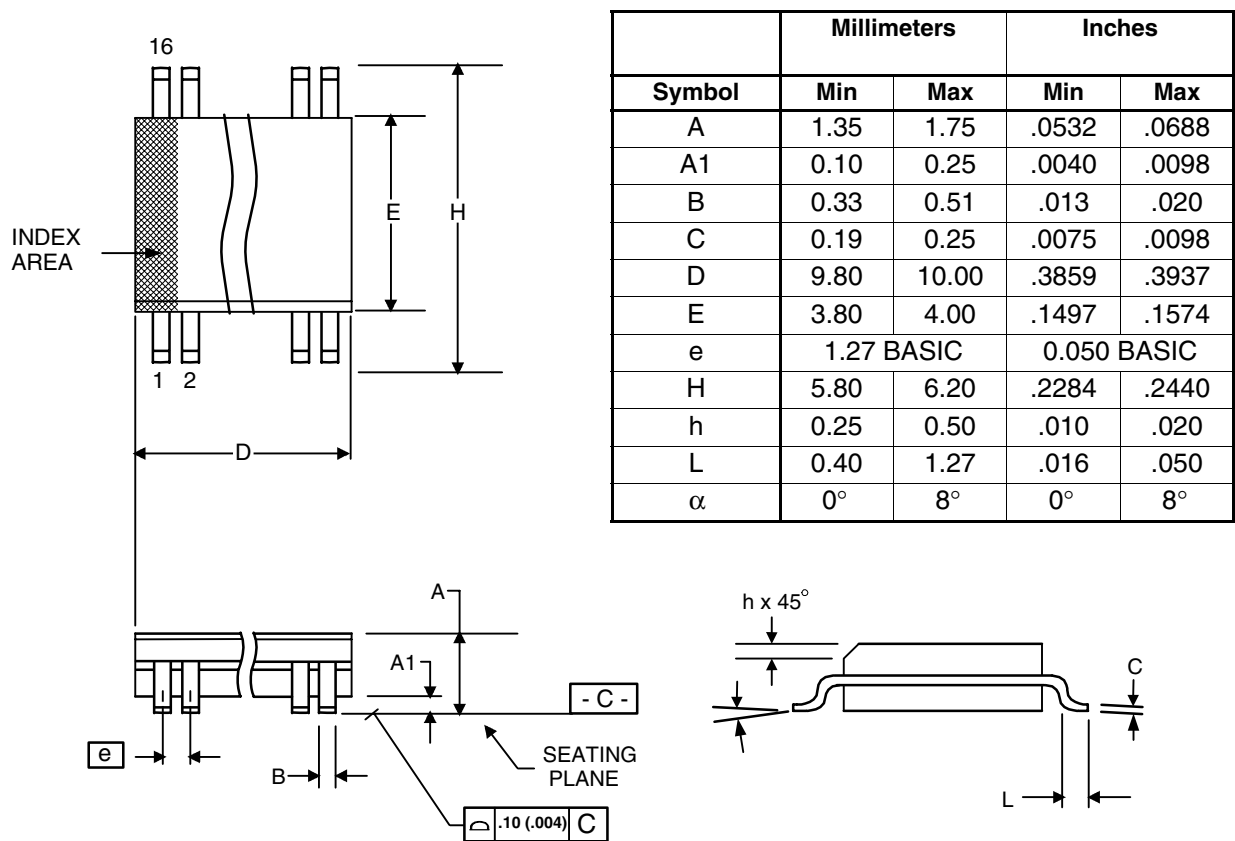
| Parameter | Symbol | Conditions | Min. | Typ. | Max. | Units |
|--|---------------|----------------|------|------|------|----------------------|
| Thermal Resistance Junction to Ambient | θ_{JA} | Still air | | 78 | | $^{\circ}\text{C/W}$ |
| | θ_{JA} | 1 m/s air flow | | 70 | | $^{\circ}\text{C/W}$ |
| | θ_{JA} | 3 m/s air flow | | 68 | | $^{\circ}\text{C/W}$ |
| Thermal Resistance Junction to Case | θ_{JC} | | | 37 | | $^{\circ}\text{C/W}$ |

Thermal Characteristics 16SOIC

| Parameter | Symbol | Conditions | Min. | Typ. | Max. | Units |
|--|---------------|----------------|------|------|------|-----------------------------|
| Thermal Resistance Junction to Ambient | θ_{JA} | Still air | | 120 | | $^{\circ}\text{C}/\text{W}$ |
| | θ_{JA} | 1 m/s air flow | | 115 | | $^{\circ}\text{C}/\text{W}$ |
| | θ_{JA} | 3 m/s air flow | | 105 | | $^{\circ}\text{C}/\text{W}$ |
| Thermal Resistance Junction to Case | θ_{JC} | | | 58 | | $^{\circ}\text{C}/\text{W}$ |

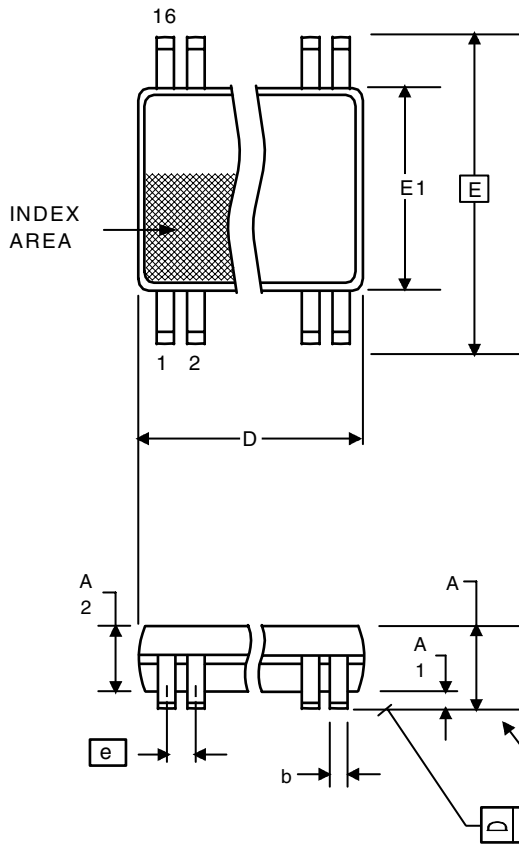
Package Outline and Package Dimensions (16-pin SOIC, 150 Mil. Narrow Body)

Package dimensions are kept current with JEDEC Publication No. 95

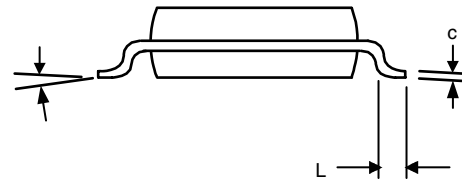


Package Outline and Package Dimensions (16-pin TSSOP, 4.40 mm Body, 0.65 mm Pitch)

Package dimensions are kept current with JEDEC Publication No. 95



| Symbol | Millimeters | | Inches | |
|----------|-------------|------|--------------|-------|
| | Min | Max | Min | Max |
| A | -- | 1.20 | -- | 0.047 |
| A1 | 0.05 | 0.15 | 0.002 | 0.006 |
| A2 | 0.80 | 1.05 | 0.032 | 0.041 |
| b | 0.19 | 0.30 | 0.007 | 0.012 |
| C | 0.09 | 0.20 | 0.0035 | 0.008 |
| D | 4.90 | 5.1 | 0.193 | 0.201 |
| E | 6.40 BASIC | | 0.252 BASIC | |
| E1 | 4.30 | 4.50 | 0.169 | 0.177 |
| e | 0.65 Basic | | 0.0256 Basic | |
| L | 0.45 | 0.75 | 0.018 | 0.030 |
| α | 0° | 8° | 0° | 8° |
| aaa | -- | 0.10 | -- | 0.004 |



Ordering Information

| Part / Order Number | Marking | Shipping Packaging | Package | Temperature |
|---------------------|--------------|--------------------|--------------|---------------|
| MK2308S-1H* | MK2308S-1H | Tubes | 16-pin SOIC | 0 to +70° C |
| MK2308S-1HTR* | MK2308S-1H | Tape and Reel | 16-pin SOIC | 0 to +70° C |
| MK2308S-1HLF | MK2308S-1HLF | Tubes | 16-pin SOIC | 0 to +70° C |
| MK2308S-1HLFTR | MK2308S-1HLF | Tape and Reel | 16-pin SOIC | 0 to +70° C |
| MK2308S-1HI* | MK2308S-1HI | Tubes | 16-pin SOIC | -40 to +85° C |
| MK2308S-1HITR* | MK2308S-1HI | Tape and Reel | 16-pin SOIC | -40 to +85° C |
| MK2308G-1HI* | 2308-1HI | Tubes | 16-pin TSSOP | -40 to +85° C |
| MK2308G-1HITR* | 2308-1HI | Tape and Reel | 16-pin TSSOP | -40 to +85° C |
| MK2308G-1HILF | 23081HIL | Tubes | 16-pin TSSOP | -40 to +85° C |
| MK2308G-1HILFTR | 23081HIL | Tape and Reel | 16-pin TSSOP | -40 to +85° C |
| MK2308G-1H* | 2308G-1H | Tubes | 16-pin TSSOP | 0 to +70° C |
| MK2308G-1HTR* | 2308G-1H | Tape and Reel | 16-pin TSSOP | 0 to +70° C |
| MK2308G-1HLF | 2308G1HL | Tubes | 16-pin TSSOP | 0 to +70° C |
| MK2308G-1HLFTR | 2308G1HL | Tape and Reel | 16-pin TSSOP | 0 to +70° C |

***NOTE: EOL for non-green parts to occur on 5/13/10 per PDN U-09-01**

Parts that are ordered with a "LF" suffix to the part number are the Pb-Free configuration and are RoHS compliant.

While the information presented herein has been checked for both accuracy and reliability, Integrated Device Technology (IDT) assumes no responsibility for either its use or for the infringement of any patents or other rights of third parties, which would result from its use. No other circuits, patents, or licenses are implied. This product is intended for use in normal commercial applications. Any other applications such as those requiring extended temperature range, high reliability, or other extraordinary environmental requirements are not recommended without additional processing by IDT. IDT reserves the right to change any circuitry or specifications without notice. IDT does not authorize or warrant any IDT product for use in life support devices or critical medical instruments.

Innovate with IDT and accelerate your future networks. Contact:

www.IDT.com

For Sales

800-345-7015
408-284-8200
Fax: 408-284-2775

For Tech Support

www.idt.com/go/clockhelp

Corporate Headquarters

Integrated Device Technology, Inc.
www.idt.com



www.IDT.com