

## 阅读申明

- 1.本站收集的数据手册和产品资料都来自互联网，版权归原作者所有。如读者和版权方有任何异议请及时告之，我们将妥善解决。
- 2.本站提供的中文数据手册是英文数据手册的中文翻译，其目的是协助用户阅读，该译文无法自动跟随原稿更新，同时也可能存在翻译上的不当。建议读者以英文原稿为参考以便获得更精准的信息。
- 3.本站提供的产品资料，来自厂商的技术支持或者使用者的心得体会等，其内容可能存在描述上的差异，建议读者做出适当判断。
- 4.如需与我们联系，请发邮件到marketing@iczoom.com，主题请标有“数据手册”字样。

## Read Statement

1. The datasheets and other product information on the site are all from network reference or other public materials, and the copyright belongs to the original author and original published source. If readers and copyright owners have any objections, please contact us and we will deal with it in a timely manner.
2. The Chinese datasheets provided on the website is a Chinese translation of the English datasheets. Its purpose is for reader's learning exchange only and do not involve commercial purposes. The translation cannot be automatically updated with the original manuscript, and there may also be improper translations. Readers are advised to use the English manuscript as a reference for more accurate information.
3. All product information provided on the website refer to solutions from manufacturers' technical support or users the contents may have differences in description, and readers are advised to take the original article as the standard.
4. If you have any questions, please contact us at marketing@iczoom.com and mark the subject with "Datasheets" .

## Very Low Jitter Field and Factory Programmable Clock Generator

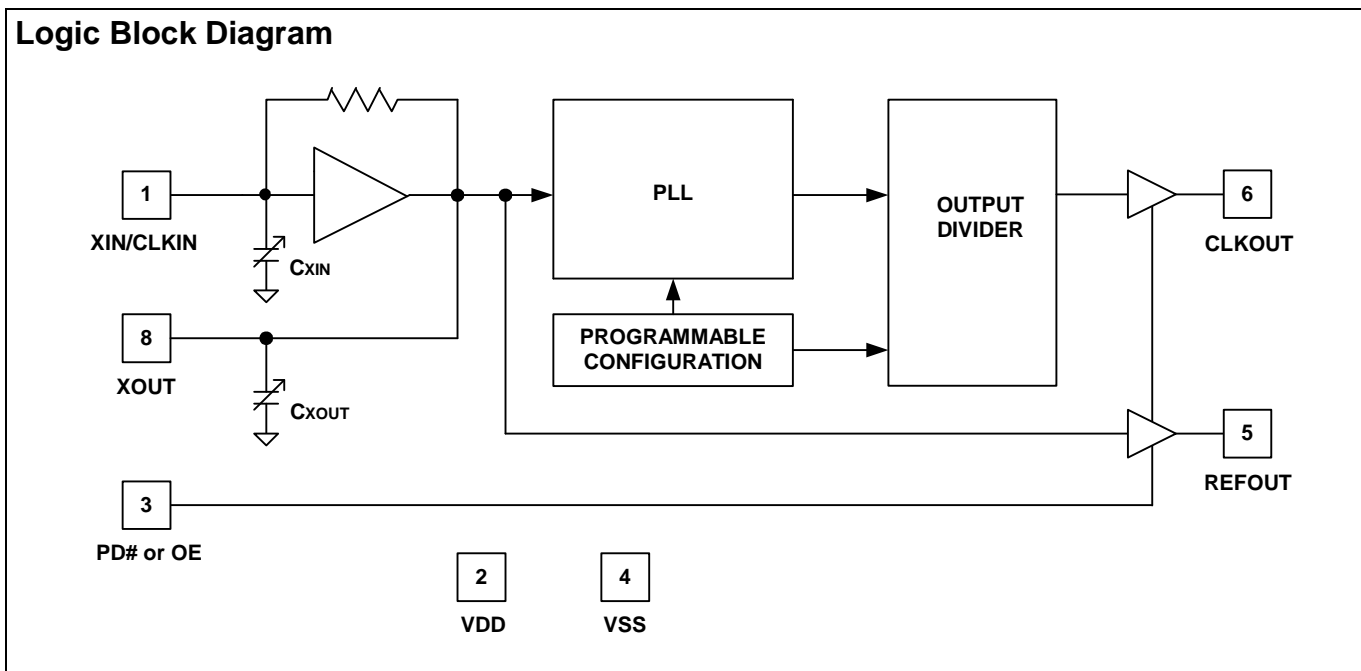
### Features

- Low period and cycle-to-cycle jitter
  - Typical pk-pk period jitter: 60 ps
- Wide output frequency range
  - Commercial temperature: 20–200 MHz
  - Industrial temperature: 20–166 MHz
- Input frequency range
  - External crystal: 10–30 MHz fundamental crystal
  - External reference: 10–133 MHz clock
- Integrated phase-locked loop (PLL)
- Field programmable and factory programmed options
- Programmable crystal load capacitor tuning array
- 3.3V operation
- Commercial and industrial temperature ranges
- Power down or output enable function

### Benefits

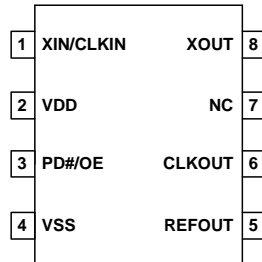
- Internal PLL generates up to 200 MHz output. Can generate custom frequencies from an external crystal or a driven source.
- In-house programming of samples and prototype quantities can be done using the CY3672-USB programmer and CY3619 socket adapter. Production quantities are available through Cypress's value added distribution partners or by using third party programmers from BP Microsystems, HiLo Systems, and others.
- Eliminates the need for expensive and difficult to use higher-order crystals.
- Enables fine-tuning of output clock frequency by adjusting  $C_{Load}$  of the crystal. Eliminates the need for external  $C_{Load}$  capacitors.
- Application compatibility in standard and low-power systems
- Enables low-power state or output clocks to High-Z state

### Logic Block Diagram



## Pinouts

**Figure 1. CY22180 - 8-Pin SOIC**



## Pin Definitions

Pin	Name	Description
1	XIN/CLKIN	Crystal input or reference clock input.
2	VDD	3.3V power supply.
3	PD#/OE	Power down pin, active LOW. If PD# = 0, the PLL and oscillator are powered down and outputs are weakly pulled low. Output enable pin, active HIGH. If OE = 1, CLKOUT and REFOUT are enabled. User has the option of choosing either PD# or OE function.
4	VSS	Power supply ground.
5	REFOUT	Buffered reference output.
6	CLKOUT	Low jitter clock output.
7	NC	No connect. Leave this pin floating.
8	XOUT	Crystal output. Leave this pin floating if external clock is used.

## General Description

The CY22180 is a low jitter clock generator for use in networking, telecommunication, datacom, consumer electronics, and other general purpose applications. The CY22180 offers a single programmable output and an optional copy of the input frequency. The on-chip reference oscillator is designed to run off a 10–30 MHz crystal, or a 10–133 MHz external clock signal. The output frequency range is 20–200 MHz. The CY22180 comes in an 8-pin SOIC, and requires a 3.3V power supply.

## Programming Description

### Field Programmable (CY22180FSXC and CY22180FSXI)

The CY22180 is programmed at the package level, that is, in a programmer socket. The CY22180 is flash technology based, so the parts can be reprogrammed up to 100 times. This enables fast and easy design changes and product updates, and eliminates any issues with old and out-of-date inventory.

Samples and small prototype quantities can be programmed on the CY3672 programmer with the CY3619 socket adapter.

### CyberClocks™ Online Software

CyberClocks Online Software is a web-based software application that allows the user to custom-configure the CY22180. All the parameters in [Table 1 on page 3](#) given as “Enter Data” can be programmed into the CY22180. CyberClocks Online outputs an industry-standard JEDEC file used for programming the CY22180. CyberClocks Online is available at [www.cyberclocksonline.com](http://www.cyberclocksonline.com) through user registration. For more information on the registration process refer to the CY3672 data sheet.

### CY3672-USB Programming Kit and CY3619 Socket Adapter

The Cypress CY3672 FTG programmer and CY3619 socket adapter are needed to program the CY22180. The socket adapter comes with small prototype quantities of CY22180. The CY3619 can be ordered separately, so existing users of the CY3672-USB programmer need order only the socket adapters to program the CY22180.

**Factory Programmed CY22180**

Factory programming is available for volume manufacturing by Cypress. All requests must be submitted to the local Cypress Field Application Engineer (FAE) or sales representative. Once the request has been processed, you receive a new part number (dash number) and samples with the programmed values. This

part number is used for additional sample requests and production orders.

Additional information on the CY22180 can be obtained from the Cypress website at [www.cypress.com](http://www.cypress.com).

**Table 1. Pin Function**

Pin Function	Input Frequency	Total Xtal Load Capacitance	Output Frequency	Reference Output	Power down or Output Enable
Pin Name	XIN and XOUT	XIN and XOUT	CLKOUT	REFOUT	PD#/OE
Pin#	1 and 8	1 and 8	6	5	3
Unit	MHz	pF	MHz	On or Off	Select PD# or OE
Program Value	ENTER DATA	ENTER DATA	ENTER DATA	ENTER DATA	ENTER DATA

**Product Functions**

**Input Frequency (XIN, pin 1 and XOUT, pin 8)**

The input to the CY22180 can be a crystal or a clock. The input frequency range for crystals is 10 to 30 MHz, and for clock signals is 10 to 133 MHz.

**C<sub>XIN</sub> and C<sub>XOUT</sub> (pin 1 and pin 8)**

The internal load capacitors at pin 1 (C<sub>XIN</sub>) and pin 8 (C<sub>XOUT</sub>) can be programmed from 12 pF to 60 pF in 0.5 pF increments. Thus, these programmable capacitors support crystals with C<sub>L</sub> values between 6 pF and 30 pF. The crystal C<sub>L</sub> value, minus board parasitic capacitance, is the value entered into CyberClocks Online Software.

If using a driven reference, CyberClocks Online Software sets C<sub>XIN</sub> and C<sub>XOUT</sub> to the minimum value 12 pF.

**Output Clock (CLKOUT, pin 6)**

The output clock can be programmed to any frequency in the range of 20–200 MHz.

**Reference Output (REFOUT, pin 5)**

The reference clock output has the same frequency as the input clock. This output can be programmed to be enabled (clock on) or disabled (High-Z, clock off) through CyberClocks Online software. If this output is not needed, Cypress recommends that users request the disabled (High-Z, Clock Off) option.

**Power Down or Output Enable (PD# or OE, pin 3)**

The CY22180 can be programmed to include either PD# or OE function. PD# function can be used to power down the oscillator and PLL. The OE function disables the outputs but does not turn off the PLL. PD# achieves lower power consumption, but PLL start up time means that turn-on time is slower than for OE.

## Absolute Maximum Ratings

Supply Voltage ( $V_{DD}$ ).....	-0.5 to +7.0V	Data Retention at $T_j = 125^\circ\text{C}$ .....	> 10 years
DC Input Voltage .....	-0.5V to $V_{DD} + 0.5$	Package Power Dissipation.....	350 mW
Storage Temperature (Non-condensing) ....	$-55^\circ\text{C}$ to $+125^\circ\text{C}$	Static Discharge Voltage.....	$\geq 2000\text{V}$
Junction Temperature .....	$-40^\circ\text{C}$ to $+125^\circ\text{C}$	(per MIL-STD-883, Method 3015)	

## Recommended Crystal Specifications

Parameter	Description	Comments	Min	Typ.	Max	Unit
$F_{NOM}$	Nominal Crystal Frequency	Parallel resonance, fundamental mode, AT cut	10	-	30	MHz
$C_{LNOM}$	Nominal Load Capacitance		6	-	30	pF
$R_1$	Equivalent Series Resistance (ESR)	Fundamental mode	-	-	25	$\Omega$
DL	Crystal Drive Level	No external series resistor assumed	-	0.5	2	mW

## Operating Conditions

Parameter	Description	Min	Typ.	Max	Unit
$V_{DD}$	Supply Voltage	3.13	3.30	3.45	V
$T_A$	Ambient Commercial Temperature	0	-	70	$^\circ\text{C}$
	Ambient Industrial Temperature	-40	-	85	$^\circ\text{C}$
$C_{LOAD}$	Max. Load Capacitance at pin 5 and pin 6	-	-	10	pF
$F_{XIN}$	External Reference Crystal	10	-	30	MHz
$F_{CLKIN}$	External Reference Clock	10	-	133	MHz
$F_{CLKOUT}$	CLKOUT frequency, Commercial Temperature	20	-	200	MHz
	CLKOUT frequency, Industrial Temperature	20	-	166	MHz
$F_{REFOUT}$	REFOUT frequency	10	-	133	MHz
$T_{PU}$	Power up time for all $V_{DD}$ s to reach minimum specified voltage (power ramp must be monotonic)	0.05	-	500	ms

## DC Electrical Characteristics

Parameter	Description	Condition	Min	Typ	Max	Unit
$I_{OH}$	Output High Current	$V_{OH} = V_{DD} - 0.5\text{V}$ , $V_{DD} = 3.3\text{V}$ (source)	10	12		mA
$I_{OL}$	Output Low Current	$V_{OL} = 0.5\text{V}$ , $V_{DD} = 3.3\text{V}$ (sink)	10	12		mA
$V_{IH}$	Input High Voltage	CMOS levels, 70% of $V_{DD}$	$0.7V_{DD}$	-	$V_{DD} + 0.3$	V
$V_{IL}$	Input Low Voltage	CMOS levels, 30% of $V_{DD}$	-0.3	-	$0.3V_{DD}$	V
$I_{IH}$	Input High Current, PD#/OE	$V_{IN} = V_{DD}$	-	-	10	$\mu\text{A}$
$I_{IL}$	Input Low Current, PD#/OE	$V_{IN} = V_{SS}$ , pull up disabled	-	-	10	$\mu\text{A}$
		$V_{IN} = V_{SS}$ , pull up enabled	-	-	55	$\mu\text{A}$
$I_{OZ}$	Output Leakage Current	Three-state output, PD#/OE = 0	-10		10	$\mu\text{A}$
$C_{XIN}$ or $C_{XOUT}$ <sup>[1]</sup>	Programmable Capacitance at pin 1 and pin 8	Capacitance at minimum setting	-	12	-	pF
		Capacitance at maximum setting	-	60	-	pF
$C_{IN}$ <sup>[1]</sup>	Input Capacitance at PD#/OE		-	5	7	pF
$I_{DD}$	Supply Current	$f_{IN} = 10\text{ MHz}$ , $f_{OUT} = 33\text{ MHz}$ , REFOUT off	-	11	15	mA
$I_{DDS}$	Standby current	Device powered down with PD# = 0V (driven reference pulled down)	-	10	40	$\mu\text{A}$

### Note

1. Guaranteed by characterization, not 100% tested.

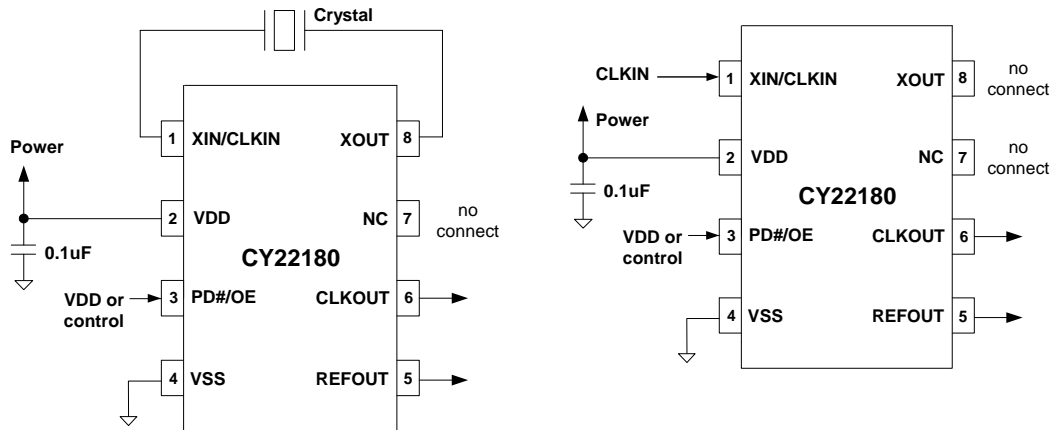
**AC Electrical Characteristics<sup>[1]</sup>**

Parameter	Description	Condition	Min	Typ	Max	Unit
DC	Output Duty Cycle	CLKOUT $\leq$ 125 MHz, Measured at $V_{DD}/2$	45	50	55	%
	Output Duty Cycle	CLKOUT $>$ 125 MHz, Measured at $V_{DD}/2$	40	50	60	%
	Output Duty Cycle	REFOUT, Measured at $V_{DD}/2$ Duty Cycle of CLKIN = 50%	45	50	55	%
SR1	Rising Edge Slew Rate	CLKOUT from 20 to 200 MHz; REFOUT from 10 to 133 MHz. 20%–80% of $V_{DD}$	2	3	–	V/ns
SR2	Falling Edge Slew Rate	CLKOUT from 20 to 200 MHz; REFOUT from 10 to 133 MHz. 80%–20% of $V_{DD}$	2	3	–	V/ns
$T_{PJ1}$ <sup>[2, 3]</sup>	CLKOUT pk-pk Period Jitter, REFOUT off	CLKOUT = 20–200 MHz	–	–	75 ( $\pm 38$ )	ps
$T_{PJ2}$ <sup>[2, 3]</sup>	CLKOUT pk-pk Period Jitter, REFOUT off, specific frequencies	CLKIN = 10 MHz, CLKOUT = 20, 33, 66, 80, 106.25, 125, 133, or 200 MHz	–	–	60 ( $\pm 30$ )	ps
		CLKIN = 25 MHz, CLKOUT = 125 MHz	–	–	56 ( $\pm 28$ )	ps
		CLKIN = 30 MHz, CLKOUT = 33, 66, 80, 106.25, 125, or 133 MHz	–	–	62 ( $\pm 31$ )	ps
		CLKIN = 66 MHz, CLKOUT = 33 or 66 MHz	–	–	47 ( $\pm 24$ )	ps
		CLKIN = 66 MHz, CLKOUT = 80, 106.25, 125, 133, 166, or 200 MHz	–	–	68 ( $\pm 34$ )	ps
		CLKIN = 133 MHz, CLKOUT = 33, 66, or 80 MHz	–	–	68 ( $\pm 34$ )	ps
		CLKIN = 133 MHz, CLKOUT = 125, 133, or 166 MHz	–	–	52 ( $\pm 26$ )	ps
$T_{PJ3}$ <sup>[2, 3]</sup>	CLKOUT pk-pk Period Jitter, REFOUT on	CLKOUT = 20–200 MHz	–	150 ( $\pm 75$ )	–	ps
$T_{PJ4}$ <sup>[2, 3]</sup>	REFOUT pk-pk Period Jitter	REFOUT = 10-133 MHz	–	–	265 ( $\pm 133$ )	ps
$t_{STP}$	Power Down Time (pin 3 = PD#)	Time from falling edge on PD# to stopped outputs (Asynchronous)	–	150	350	ns
$T_{OE1}$	Output Disable Time (pin 3 = OE)	Time from falling edge on OE to stopped outputs (Asynchronous)	–	150	350	ns
$T_{OE2}$	Output Enable Time (pin 3 = OE)	Time from rising edge on OE to outputs at a valid frequency (Asynchronous)	–	150	350	ns
$t_{PU1}$	Power Up Time, Crystal is used	Time from rising edge on PD# to outputs at valid frequency (Asynchronous)	–	3.5	5	ms
$t_{PU2}$	Power Up Time, Reference clock is used	Time from rising edge on PD# to outputs at valid frequency (Asynchronous), reference clock at correct frequency	–	2	3	ms

**Notes**

- Jitter is configuration dependent. Actual jitter is dependent on XIN jitter and edge rate, number of active outputs, output frequencies, temperature, and output load. For more information, refer to the application note, "Jitter in PLL Based Systems: Causes, Effects, and Solutions".
- Cycle-to-Cycle Jitter (peak) is always less than Period Jitter (peak-to-peak). Peak-to-Peak Period Jitter is the difference between the shortest and longest measured periods.

Figure 2. Application Circuits<sup>[4, 5]</sup>



Switching Waveforms

Figure 3. Duty Cycle Timing ( $DC = t_{1A}/t_{1B}$ )

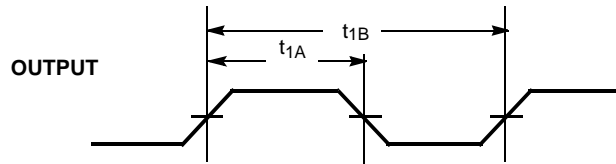
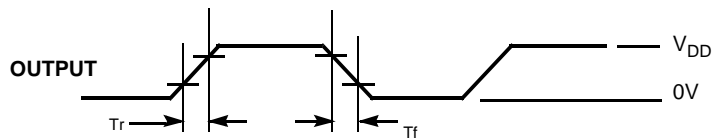


Figure 4. Output Rise/Fall Time (CLKOUT and REFOUT)



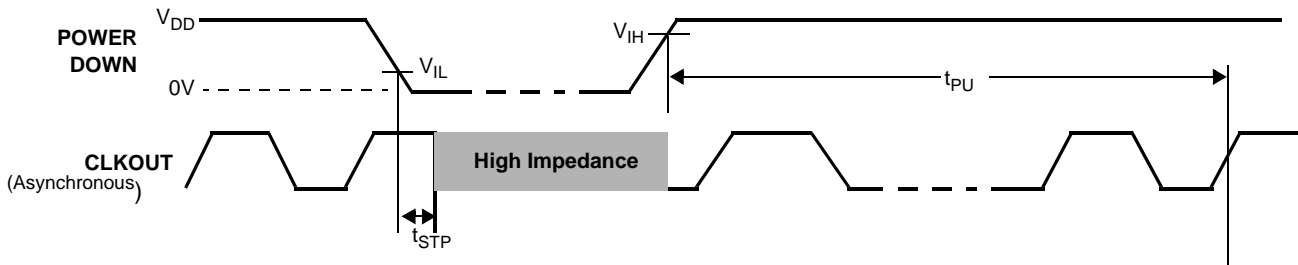
Output Rise time ( $T_r$ ) =  $(0.6 \times V_{DD})/SR1$  (or  $SR3$ )  
 Output Fall time ( $T_f$ ) =  $(0.6 \times V_{DD})/SR2$  (or  $SR4$ )  
 Refer to AC Electrical Characteristics table for SR (Slew Rate) values.

Notes

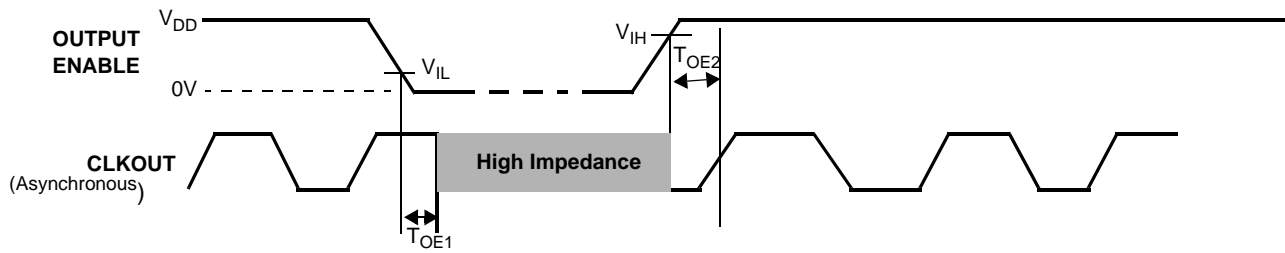
- 4. Since the load capacitors ( $C_{XIN}$  and  $C_{XOUT}$ ) are provided by the CY22180, no external capacitors are needed on the XIN and XOUT pins to match the crystal load capacitor ( $C_L$ ). Only a single 0.1- $\mu$ F bypass capacitor is required on the  $V_{DD}$  pin.
- 5. If an external clock is used, apply the clock to XIN (pin 1) and leave XOUT (pin 8) floating (unconnected).

**Switching Waveforms**

**Figure 5. Power Down Timing and Power Up Timing**



**Figure 6. Output Enable/Disable Timing**



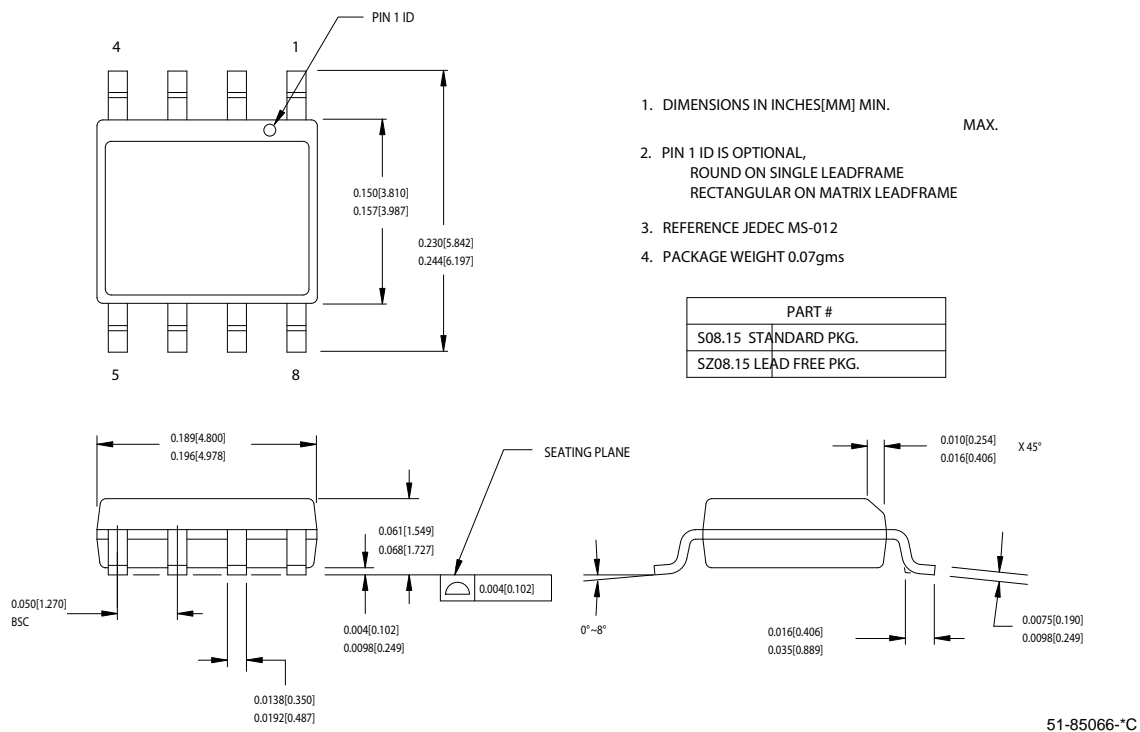


Ordering Information

Part Number <sup>[6]</sup>	Description	Product Flow
CY3672-USB	FTG programmer	n/a
CY3619	CY22180FS Socket Adapter for the CY3672-USB	n/a
<b>Pb-Free</b>		
CY22180FSXC	Field Programmable	Commercial, 0 to 70°C
CY22180FSXCT	Field Programmable - Tape and Reel	Commercial, 0 to 70°C
CY22180FSXI	Field Programmable	Industrial, -40 to 85°C
CY22180FSXIT	Field Programmable - Tape and Reel	Industrial, -40 to 85°C
CY22180SXC-xxx	Factory Programmed	Commercial, 0 to 70°C
CY22180SXC-xxxT	Factory Programmed - Tape and Reel	Commercial, 0 to 70°C
CY22180SXI-xxx	Factory Programmed	Industrial, -40 to 85°C
CY22180SXI-xxxT	Factory Programmed - Tape and Reel	Industrial, -40 to 85°C

Package Diagrams

Figure 7. 8-Pin (150-Mil) SOIC S8



Note

6. "xxx" denotes the assigned product dash number for devices that are factory-programmed.

**Document History Page**

Document Title: CY22180 Very Low Jitter Field and Factory Programmable Clock Generator				
Document Number: 001-15577				
REV.	ECN	Orig. of Change	Submission Date	Description of Change
**	1058460	KVM/ KKVTMP	05/11/07	New Data Sheet
*A	2632357	KVM/AESA	01/13/09	Change data sheet status from Preliminary to Final. Update template. Add part numbers CY22180FSXCT and CY22180FSXIT in Ordering Information table.

**Sales, Solutions, and Legal Information**

**Worldwide Sales and Design Support**

Cypress maintains a worldwide network of offices, solution centers, manufacturer’s representatives, and distributors. To find the office closest to you, visit us at [cypress.com/sales](http://cypress.com/sales).

**Products**

- PSoC [psoc.cypress.com](http://psoc.cypress.com)
- Clocks & Buffers [clocks.cypress.com](http://clocks.cypress.com)
- Wireless [wireless.cypress.com](http://wireless.cypress.com)
- Memories [memory.cypress.com](http://memory.cypress.com)
- Image Sensors [image.cypress.com](http://image.cypress.com)

**PSoC Solutions**

- General [psoc.cypress.com/solutions](http://psoc.cypress.com/solutions)
- Low Power/Low Voltage [psoc.cypress.com/low-power](http://psoc.cypress.com/low-power)
- Precision Analog [psoc.cypress.com/precision-analog](http://psoc.cypress.com/precision-analog)
- LCD Drive [psoc.cypress.com/lcd-drive](http://psoc.cypress.com/lcd-drive)
- CAN 2.0b [psoc.cypress.com/can](http://psoc.cypress.com/can)
- USB [psoc.cypress.com/usb](http://psoc.cypress.com/usb)

© Cypress Semiconductor Corporation, 2007-2009. The information contained herein is subject to change without notice. Cypress Semiconductor Corporation assumes no responsibility for the use of any circuitry other than circuitry embodied in a Cypress product. Nor does it convey or imply any license under patent or other rights. Cypress products are not warranted nor intended to be used for medical, life support, life saving, critical control or safety applications, unless pursuant to an express written agreement with Cypress. Furthermore, Cypress does not authorize its products for use as critical components in life-support systems where a malfunction or failure may reasonably be expected to result in significant injury to the user. The inclusion of Cypress products in life-support systems application implies that the manufacturer assumes all risk of such use and in doing so indemnifies Cypress against all charges.

Any Source Code (software and/or firmware) is owned by Cypress Semiconductor Corporation (Cypress) and is protected by and subject to worldwide patent protection (United States and foreign), United States copyright laws and international treaty provisions. Cypress hereby grants to licensee a personal, non-exclusive, non-transferable license to copy, use, modify, create derivative works of, and compile the Cypress Source Code and derivative works for the sole purpose of creating custom software and or firmware in support of licensee product to be used only in conjunction with a Cypress integrated circuit as specified in the applicable agreement. Any reproduction, modification, translation, compilation, or representation of this Source Code except as specified above is prohibited without the express written permission of Cypress.

Disclaimer: CYPRESS MAKES NO WARRANTY OF ANY KIND, EXPRESS OR IMPLIED, WITH REGARD TO THIS MATERIAL, INCLUDING, BUT NOT LIMITED TO, THE IMPLIED WARRANTIES OF MERCHANTABILITY AND FITNESS FOR A PARTICULAR PURPOSE. Cypress reserves the right to make changes without further notice to the materials described herein. Cypress does not assume any liability arising out of the application or use of any product or circuit described herein. Cypress does not authorize its products for use as critical components in life-support systems where a malfunction or failure may reasonably be expected to result in significant injury to the user. The inclusion of Cypress’ product in a life-support systems application implies that the manufacturer assumes all risk of such use and in doing so indemnifies Cypress against all charges.

Use may be limited by and subject to the applicable Cypress software license agreement.