

阅读申明

- 1.本站收集的数据手册和产品资料都来自互联网，版权归原作者所有。如读者和版权方有任何异议请及时告之，我们将妥善解决。
- 2.本站提供的中文数据手册是英文数据手册的中文翻译，其目的是协助用户阅读，该译文无法自动跟随原稿更新，同时也可能存在翻译上的不当。建议读者以英文原稿为参考以便获得更精准的信息。
- 3.本站提供的产品资料，来自厂商的技术支持或者使用者的心得体会等，其内容可能存在描述上的差异，建议读者做出适当判断。
- 4.如需与我们联系，请发邮件到marketing@iczoom.com，主题请标有“数据手册”字样。

Read Statement

1. The datasheets and other product information on the site are all from network reference or other public materials, and the copyright belongs to the original author and original published source. If readers and copyright owners have any objections, please contact us and we will deal with it in a timely manner.
2. The Chinese datasheets provided on the website is a Chinese translation of the English datasheets. Its purpose is for reader's learning exchange only and do not involve commercial purposes. The translation cannot be automatically updated with the original manuscript, and there may also be improper translations. Readers are advised to use the English manuscript as a reference for more accurate information.
3. All product information provided on the website refer to solutions from manufacturers' technical support or users the contents may have differences in description, and readers are advised to take the original article as the standard.
4. If you have any questions, please contact us at marketing@iczoom.com and mark the subject with "Datasheets" .



Notebook LCD Panel EMI Reduction IC

Features

- FCC approved method of EMI attenuation.
- Provides up to 15dB EMI reduction.
- Generates a low EMI Spread Spectrum clock and a non-spread reference clock of the input frequency.
- Optimized for Frequency range from 20 to 40MHz.
- Internal loop filter minimizes external components and board space.
- Selectable spread options: Down and Center.
- Low Inherent Cycle-to-Cycle jitter.
- Eight spread % selections: $\pm 0.625\%$ to -3.5% .
- $3.3V \pm 0.3V$ Operating Voltage range.
- Low power CMOS design.
- Supports notebook VGA and other LCD timing controller applications.
- Power Down function for mobile application.
- Available in Commercial temperature range.
- Available in 8-pin SOIC and TSSOP Packages.

Product Description

The P1819 is a Versatile Spread Spectrum Frequency Modulator designed specifically for input clock frequencies from 20 to 40MHz. (Refer *Input Frequency and Modulation Rate Table*). The P1819 reduces electromagnetic interference (EMI) at the clock source, allowing system wide reduction of EMI of down stream clock and data dependent signals. The P1819 allows significant system cost savings by reducing the number of circuit board layers

ferrite beads, shielding and other passive components that are traditionally required to pass EMI regulations.

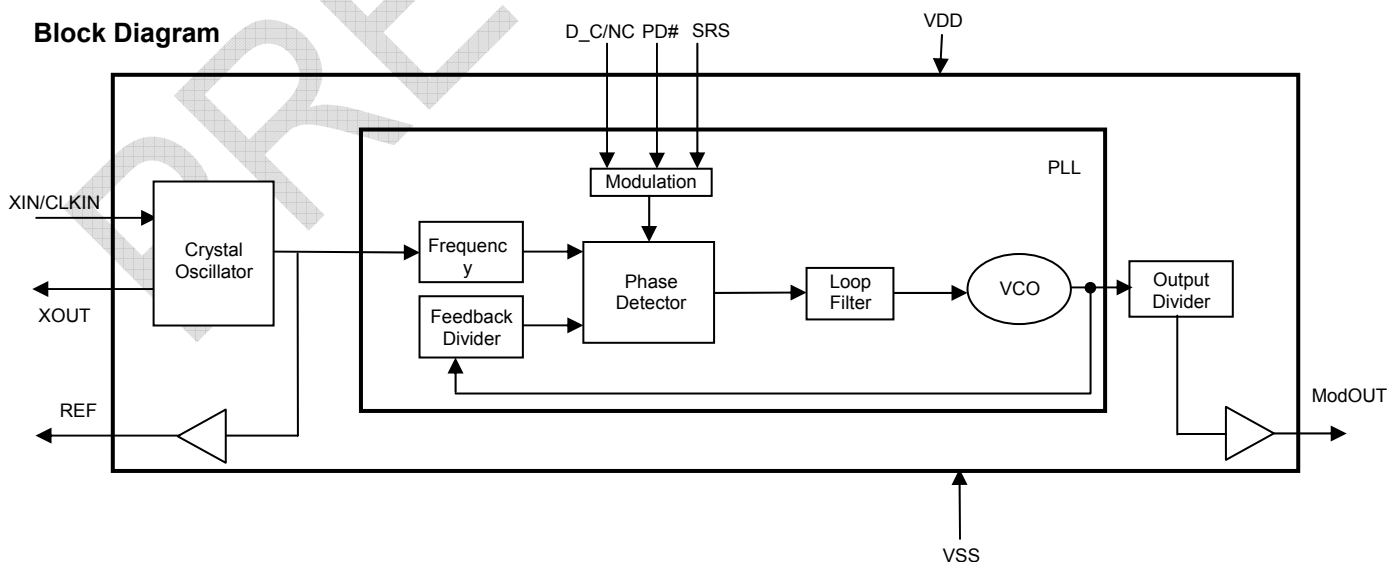
The P1819 modulates the output of a single PLL in order to “spread” the bandwidth of a synthesized clock, and more importantly, decreases the peak amplitudes of its harmonics. This results in significantly lower system EMI compared to the typical narrow band signal produced by oscillators and most frequency generators. Lowering EMI by increasing a signal’s bandwidth is called ‘Spread Spectrum Clock Generation’.

The P1819 uses the most efficient and optimized modulation profile approved by the FCC and is implemented in a proprietary all digital method.

Applications

The P1819 is targeted towards EMI management for memory and LVDS interfaces in mobile graphic chipsets and high-speed digital applications such as PC peripheral devices, consumer electronics, and embedded controller systems.

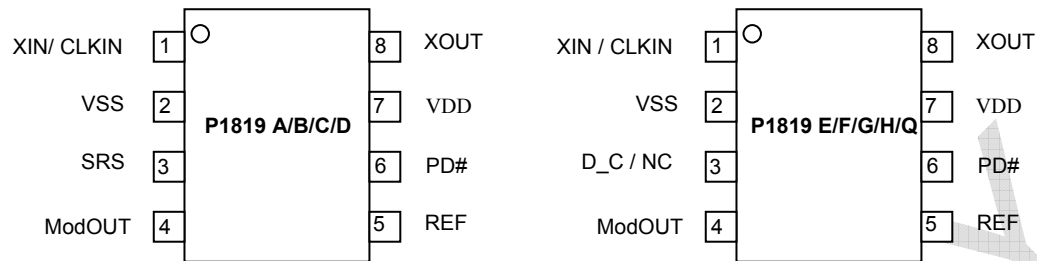
Block Diagram





rev 1.7

Pin Configuration



Pin Description

Pin#		Pin Name	Type	Description
1819A/B/C/D	1819E/F/G/H/Q			
1	1	XIN / CLKIN	I	Crystal Connection or external frequency input. This pin has dual functions. It can be connected to either an external crystal or an external reference clock
2	2	VSS	P	Ground Connection. Connect to system ground.
3		SRS	I	Spread range select. Digital logic input used to select frequency deviation (<i>Refer Spread Deviation Selection Table</i>). This pin has an internal pull-up resistor.
	3	D_C / NC	I	Digital logic input used to select Down (LOW) or Center (HIGH) spread options (<i>Refer Spread Deviation Selection Table</i>). This pin has an internal pull-up resistor.
4	4	ModOUT	O	Spread spectrum clock output. (<i>Refer Input Frequency and Modulation Rate Table and Spread Deviation Selection Table</i>)
5	5	REF	O	Non-modulated Reference clock output of the input frequency.
6	6	PD#	I	Power down control pin. Pull LOW to enable Power-Down mode. This pin has an internal pull-up resistor.
7	7	VDD	P	Power Supply for the entire chip.
8	8	XOUT	O	Crystal Connection. Input connection for an external crystal. If using an external reference, this pin must be left unconnected.

Note: Pin 3 is NC in P1819Q



rev 1.7

Input Frequency and Modulation Rate

Part Number	Input Frequency Range	Output Frequency range	Modulation rate
P1819	20MHz to 40MHz	20MHz to 40MHz	Input Frequency / 512

Spread Deviation Selection

Part Number	SRS	D_C	Spread Deviation
P1819A	0	NA	-2.50% (DOWN)
	1		-3.50% (DOWN)
P1819B	0	NA	-1.25% (DOWN)
	1		-1.75% (DOWN)
P1819C	0	NA	±1.25% (CENTER)
	1		±1.75% (CENTER)
P1819D	0	NA	±0.625% (CENTER)
	1		±0.875% (CENTER)
P1819E	NA	0	-1.25% (DOWN)
		1	±0.625% (CENTER)
P1819F	NA	0	-2.5% (DOWN)
		1	±1.25% (CENTER)
P1819G	NA	0	-1.75% (DOWN)
		1	±0.875% (CENTER)
P1819H	NA	0	-3.5% (DOWN)
		1	±1.75% (CENTER)
P1819Q	NA	NA	-2.5% (DOWN)

Absolute Maximum Ratings

Symbol	Parameter	Rating	Unit
V_{DD}, V_{IN}	Voltage on any pin with respect to Ground	-0.5 to +7.0	V
T_{STG}	Storage temperature	-65 to +125	°C
T_A	Operating temperature	0 to 70	°C
T_s	Max. Soldering Temperature (10 sec)	260	°C
T_J	Junction Temperature	150	°C
T_{DV}	Static Discharge Voltage (As per JEDEC STD22- A114-B)	2	KV

Note: These are stress ratings only and are not implied for functional use. Exposure to absolute maximum ratings for prolonged periods of time may affect device reliability.



rev 1.7

DC Electrical Characteristics

(Test condition: All parameters are measured at room temperature (+25°C) unless otherwise stated)

Symbol	Parameter	Min	Typ	Max	Unit
V _{IL}	Input Low voltage	V _{SS} – 0.3	-	0.8	V
V _{IH}	Input High voltage	2.0	-	V _{DD} + 0.3	V
I _{IL}	Input Low current (inputs D_C, PD#, SRS)	-60.0	-	-20.0	μA
I _{IH}	Input High current	-	-	1.0	μA
I _{XOL}	X _{OUT} Output low current @ 0.4V, V _{DD} = 3.3V	2.0	-	12.0	mA
I _{XOH}	X _{OUT} Output high current @ 2.5V, V _{DD} = 3.3V	-	-	12.0	mA
V _{OL}	Output Low voltage V _{DD} = 3.3V, I _{OL} = 20mA	-	-	0.4	V
V _{OH}	Output High voltage V _{DD} = 3.3V, I _{OH} = 20mA	2.5	-	-	V
I _{CC}	Dynamic supply current normal mode 3.3V and 25pF probe loading	7.1 f _{IN - min}	-	26.9 f _{IN - max}	mA
I _{DD}	Static supply current standby mode	-	4.5	-	mA
V _{DD}	Operating Voltage	3.0	3.3	3.6	V
t _{ON}	Power up time (first locked clock cycle after power up)	-	0.18	-	mS
Z _{OUT}	Clock Output impedance	-	50	-	Ω

AC Electrical Characteristics

Symbol	Parameter	Min	Typ	Max	Unit
f _{IN}	Input Frequency	20	-	40	MHz
f _{OUT}	Output Frequency	20	-	40	MHz
t _{LH} *	Output Rise time Measured from 0.8V to 2.0V	-	0.66	-	nS
t _{HL} *	Output Fall time Measured from 2.0V to 0.8V	-	0.65	-	nS
t _{JC}	Jitter (cycle to cycle)	-200	-	200	pS
t _D	Output Duty cycle	45	50	55	%

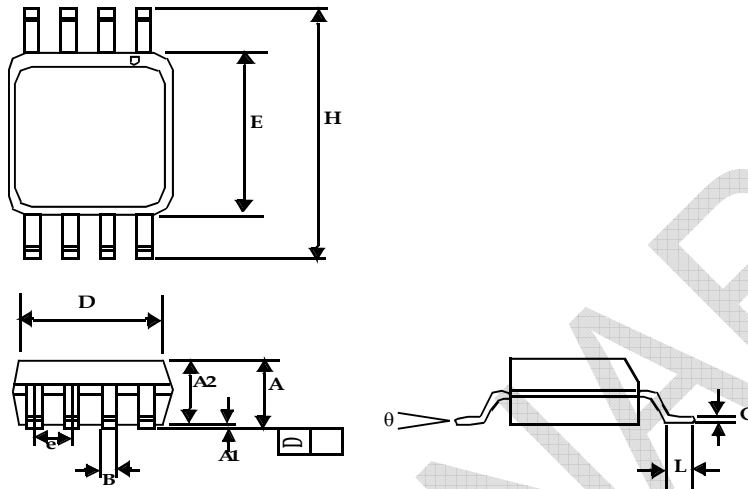
*t_{LH} and t_{HL} are measured into a capacitive load of 15pF



rev 1.7

Package Information

8-lead (150-mil) SOIC Package



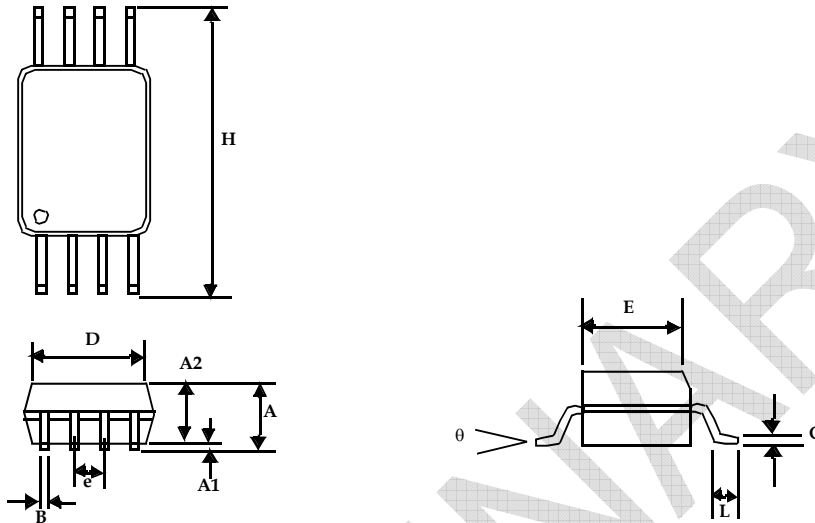
Symbol	Dimensions			
	Inches		Millimeters	
	Min	Max	Min	Max
A1	0.004	0.010	0.10	0.25
A	0.053	0.069	1.35	1.75
A2	0.049	0.059	1.25	1.50
B	0.012	0.020	0.31	0.51
C	0.007	0.010	0.18	0.25
D	0.193 BSC		4.90 BSC	
E	0.154 BSC		3.91 BSC	
e	0.050 BSC		1.27 BSC	
H	0.236 BSC		6.00 BSC	
L	0.016	0.050	0.41	1.27
θ	0°	8°	0°	8°

Note: Controlling dimensions are millimeters
SOIC – 0.074 grams unit weight



rev 1.7

8-lead Thin Shrunken Small Outline Package (4.40-MM Body)



Symbol	Dimensions			
	Inches		Millimeters	
	Min	Max	Min	Max
A		0.043		1.10
A1	0.002	0.006	0.05	0.15
A2	0.033	0.037	0.85	0.95
B	0.008	0.012	0.19	0.30
c	0.004	0.008	0.09	0.20
D	0.114	0.122	2.90	3.10
E	0.169	0.177	4.30	4.50
e	0.026 BSC		0.65 BSC	
H	0.252 BSC		6.40 BSC	
L	0.020	0.028	0.50	0.70
θ	0°	8°	0°	8°

Note: Controlling dimensions are millimeters
TSSOP – 0.0325 grams unit weight



rev 1.7

Ordering Codes

Part Number	Marking	Input Frequency (MHz)	Frequency Deviation (%)	Package Type	Qty / reel	Pb Free	Temperature
P1819A-08ST	P1819A	20-40	-2.5,-3.5	8-pin SOIC, tube			0°C to 70°C
P1819A-08SR	P1819A	20-40	-2.5,-3.5	8-pin SOIC, tape & reel	2500		0°C to 70°C
P1819A-08TT	P1819A	20-40	-2.5,-3.5	8-pin TSSOP, tube			0°C to 70°C
P1819A-08TR	P1819A	20-40	-2.5,-3.5	8-pin TSSOP, tape and reel	2500		0°C to 70°C
P1819AF-08ST	P1819AF	20-40	-2.5,-3.5	8-pin SOIC, tube		Pb Free	0°C to 70°C
P1819AF-08SR	P1819AF	20-40	-2.5,-3.5	8-pin SOIC, tape & reel	2500	Pb Free	0°C to 70°C
P1819AF-08TT	P1819AF	20-40	-2.5,-3.5	8-pin TSSOP, tube		Pb Free	0°C to 70°C
P1819AF-08TR	P1819AF	20-40	-2.5,-3.5	8-pin TSSOP, tape and reel	2500	Pb Free	0°C to 70°C
P1819AG-08ST	P1819AG	20-40	-2.5,-3.5	8-pin SOIC, tube		Green	0°C to 70°C
P1819AG-08SR	P1819AG	20-40	-2.5,-3.5	8-pin SOIC, tape & reel	2500	Green	0°C to 70°C
P1819AG-08TT	P1819AG	20-40	-2.5,-3.5	8-pin TSSOP, tube		Green	0°C to 70°C
P1819AG-08TR	P1819AG	20-40	-2.5,-3.5	8-pin TSSOP, tape and reel	2500	Green	0°C to 70°C
P1819B-08ST	P1819B	20-40	-1.25, -1.75	8-pin SOIC, tube			0°C to 70°C
P1819B-08SR	P1819B	20-40	-1.25, -1.75	8-pin SOIC, tape & reel	2500		0°C to 70°C
P1819B-08TT	P1819B	20-40	-1.25, -1.75	8-pin TSSOP, tube			0°C to 70°C
P1819B-08TR	P1819B	20-40	-1.25, -1.75	8-pin TSSOP, tape and reel	2500		0°C to 70°C
P1819BF-08ST	P1819BF	20-40	-1.25, -1.75	8-pin SOIC, tube		Pb Free	0°C to 70°C
P1819BF-08SR	P1819BF	20-40	-1.25, -1.75	8-pin SOIC, tape & reel	2500	Pb Free	0°C to 70°C
P1819BF-08TT	P1819BF	20-40	-1.25, -1.75	8-pin TSSOP, tube		Pb Free	0°C to 70°C
P1819BF-08TR	P1819BF	20-40	-1.25, -1.75	8-pin TSSOP, tape and reel	2500	Pb Free	0°C to 70°C
P1819BG-08ST	P1819BG	20-40	-1.25, -1.75	8-pin SOIC, tube		Green	0°C to 70°C
P1819BG-08SR	P1819BG	20-40	-1.25, -1.75	8-pin SOIC, tape & reel	2500	Green	0°C to 70°C
P1819BG-08TT	P1819BG	20-40	-1.25, -1.75	8-pin TSSOP, tube		Green	0°C to 70°C
P1819BG-08TR	P1819BG	20-40	-1.25, -1.75	8-pin TSSOP, tape and reel	2500	Green	0°C to 70°C

Products are available for industrial temperature range operation. Please contact factory for more information.

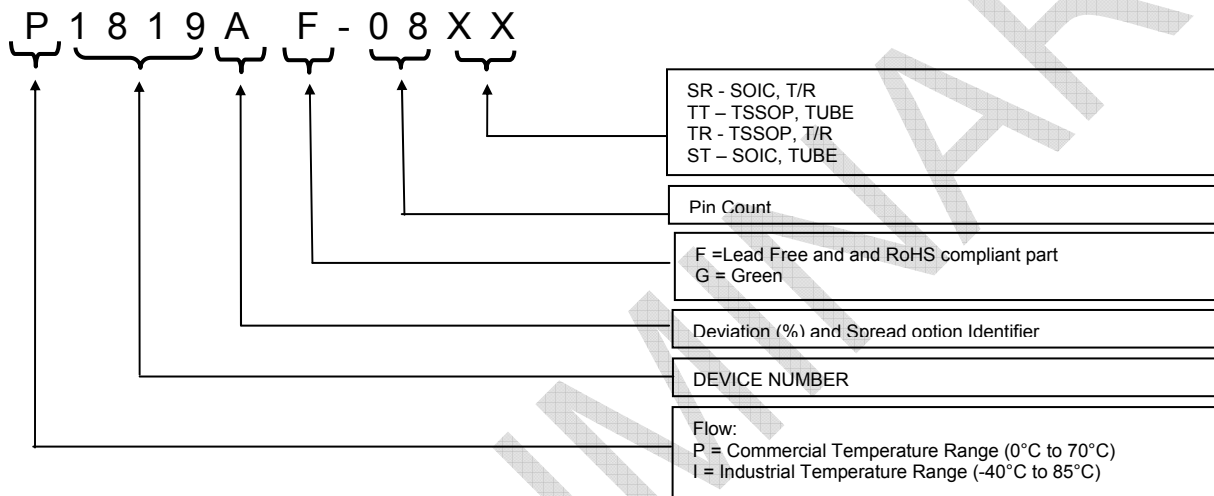


rev 1.7

Device Ordering Information

X	1819	X	X	-08	XX
1	2	3	4	5	6

1. Flow Prefix:
 - a. I = Industrial temperature range (-40°C to 85°C).
 - b. P = Commercial temperature range (0°C to 70°C).
2. Device Number.
3. Deviation (%) and spread option identifier.
4. Lead Free parts
5. Device pin count.
6. Package Identifier.



Licensed under US patent #5,488,627, #6,646,463 and #5,631,920.



rev 1.7



Alliance Semiconductor Corporation
2575 Augustine Drive,
Santa Clara, CA 95054
Tel# 408-855-4900
Fax: 408-855-4999
www.alsc.com

Copyright © Alliance Semiconductor
All Rights Reserved
Preliminary Information
Part Number: P1819
Document Version: v1.7

Note: This product utilizes US Patent # 6,646,463 Impedance Emulator Patent issued to Alliance Semiconductor, dated 11-11-2003

© Copyright 2003 Alliance Semiconductor Corporation. All rights reserved. Our three-point logo, our name and Intelliwatt are trademarks or registered trademarks of Alliance. All other brand and product names may be the trademarks of their respective companies. Alliance reserves the right to make changes to this document and its products at any time without notice. Alliance assumes no responsibility for any errors that may appear in this document. The data contained herein represents Alliance's best data and/or estimates at the time of issuance. Alliance reserves the right to change or correct this data at any time, without notice. If the product described herein is under development, significant changes to these specifications are possible. The information in this product data sheet is intended to be general descriptive information for potential customers and users, and is not intended to operate as, or provide, any guarantee or warranty to any user or customer. Alliance does not assume any responsibility or liability arising out of the application or use of any product described herein, and disclaims any express or implied warranties related to the sale and/or use of Alliance products including liability or warranties related to fitness for a particular purpose, merchantability, or infringement of any intellectual property rights, except as express agreed to in Alliance's Terms and Conditions of Sale (which are available from Alliance). All sales of Alliance products are made exclusively according to Alliance's Terms and Conditions of Sale. The purchase of products from Alliance does not convey a license under any patent rights, copyrights; mask works rights, trademarks, or any other intellectual property rights of Alliance or third parties. Alliance does not authorize its products for use as critical components in life-supporting systems where a malfunction or failure may reasonably be expected to result in significant injury to the user, and the inclusion of Alliance products in such life-supporting systems implies that the manufacturer assumes all risk of such use and agrees to indemnify Alliance against all claims arising from such use.