

阅读申明

- 1.本站收集的数据手册和产品资料都来自互联网，版权归原作者所有。如读者和版权方有任何异议请及时告之，我们将妥善解决。
- 2.本站提供的中文数据手册是英文数据手册的中文翻译，其目的是协助用户阅读，该译文无法自动跟随原稿更新，同时也可能存在翻译上的不当。建议读者以英文原稿为参考以便获得更精准的信息。
- 3.本站提供的产品资料，来自厂商的技术支持或者使用者的心得体会等，其内容可能存在描述上的差异，建议读者做出适当判断。
- 4.如需与我们联系，请发邮件到marketing@iczoom.com，主题请标有“数据手册”字样。

Read Statement

1. The datasheets and other product information on the site are all from network reference or other public materials, and the copyright belongs to the original author and original published source. If readers and copyright owners have any objections, please contact us and we will deal with it in a timely manner.
2. The Chinese datasheets provided on the website is a Chinese translation of the English datasheets. Its purpose is for reader's learning exchange only and do not involve commercial purposes. The translation cannot be automatically updated with the original manuscript, and there may also be improper translations. Readers are advised to use the English manuscript as a reference for more accurate information.
3. All product information provided on the website refer to solutions from manufacturers' technical support or users the contents may have differences in description, and readers are advised to take the original article as the standard.
4. If you have any questions, please contact us at marketing@iczoom.com and mark the subject with "Datasheets" .

ASM5P2304A

3.3 V Zero Delay Buffer

Description

ASM5P2304A is a versatile, 3.3 V zero-delay buffer designed to distribute high-speed clocks in PC, workstation, datacom, telecom and other high-performance applications. It is available in 8-pin package. The part has an on-chip PLL which locks to an input clock presented on the REF. The PLL feedback is required to be driven to FBK pin, and can be obtained from one of the outputs. The input-to-output propagation delay is guaranteed to be less than ± 250 pS, and the output-to-output skew is guaranteed to be less than 200 pS.

ASM5P2304A has two banks of two outputs each. Multiple ASM5P2304A devices can accept the same input clock and distribute it. In this case the skew between the outputs of the two devices is guaranteed to be less than 500 pS.

ASM5P2304A is available in two different configurations. Refer to *ASM5P2304A Configurations Table*. The ASM5P2304A-1 is the base part, where the output frequencies equal the reference if there is no counter in the feedback path. The ASM5P2304A-1H is the high-drive version of the -1 and the rise and fall times on this device are faster.

ASM5P2304A-2 allows the user to obtain REF and 1/2x or 2x frequencies on each output bank. The exact configuration and output frequencies depend on which output drives the feedback pin.

Features

- Zero Input-Output Propagation Delay, Adjustable by Capacitive Load on FBK Input
- Multiple Configurations –
Refer to *ASM5P2304A Configurations Table*
- Input Frequency Range: 10 MHz to 133 MHz
 - Multiple Low-skew Outputs
 - Output-Output Skew less than 200 pS
 - Device-Device Skew less than 500 pS
 - Two Banks of Two Outputs Each
- Less than 200 pS Cycle-to-Cycle Jitter
(-1, -1H, -2, -2H)
- 8-pin SOIC Package
- 3.3 V Operation
- Commercial and Industrial Temperature Range
- Advanced 0.35 μ m CMOS Technology
- These Devices are Pb-Free, Halogen Free/BFR Free and are RoHS Compliant



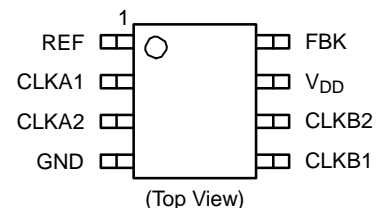
ON Semiconductor®

<http://onsemi.com>



SOIC-8
S SUFFIX
CASE 751BD

PIN CONFIGURATION



ORDERING INFORMATION

See detailed ordering and shipping information in the package dimensions section on page 8 of this data sheet.

ASM5P2304A

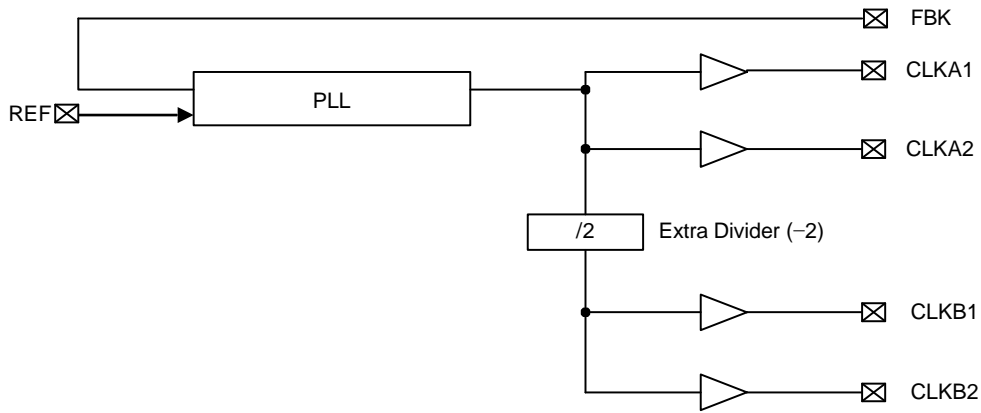


Figure 1. Block Diagram

Table 1. ASM5P2304A CONFIGURATIONS

Device	Feedback From	Bank A Frequency	Bank B Frequency
ASM5P2304A (-1, 1H)	Bank A or Bank B	Reference	Reference
ASM5P2304A (-2, -2H)	Bank A	Reference	Reference /2
ASM5P2304A (-2, -2H)	Bank B	2 x Reference	Reference

Zero Delay and Skew Control

For applications requiring zero input-output delay, all outputs must be equally loaded.

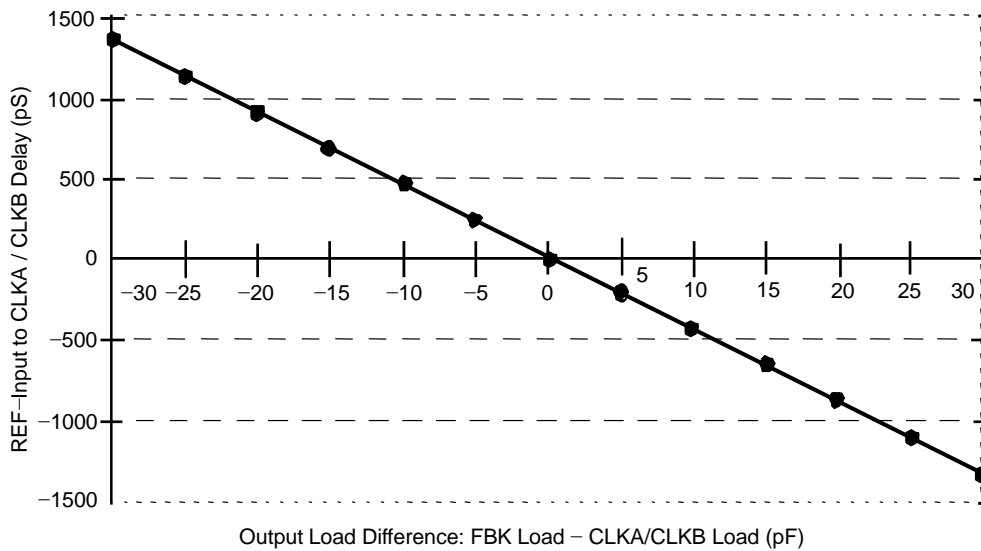


Figure 2. REF Input to CLKA/CLKB Delay vs. Difference in Loading between FBK Pin and CLKA/CLKB Pins

To close the feedback loop of the ASM5P2304A, the FBK pin can be driven from any of the four available clock outputs. The output driving the FBK pin will be driving a total load of 7 pF plus any additional load that it drives. The relative loading of this output (with respect to the remaining outputs) can adjust the input-output delay. This is shown in the above graph.

For applications requiring zero input-output delay, all outputs including the one providing feedback should be equally loaded. If input-output delay adjustments are required, use the above graph to calculate loading differences between the feedback output and remaining outputs. For zero output-output skew, be sure to load outputs equally.

ASM5P2304A

Table 2. PIN DESCRIPTION

Pin #	Pin Name	Description
1	REF (Note 1)	Input reference clock frequency, 5 V tolerant input
2	CLKA1 (Note 2)	Buffered clock output, bank A
3	CLKA2 (Note 2)	Buffered clock output, bank A
4	GND	Ground
5	CLKB1 (Note 2)	Buffered clock output, bank B
6	CLKB2 (Note 2)	Buffered clock output, bank B
7	V _{DD}	3.3 V supply
8	FBK	PLL feedback input

1. Weak pull-down.
2. Weak pull-down on all outputs.

Table 3. ABSOLUTE MAXIMUM RATINGS

Parameter	Min	Max	Unit
Supply Voltage to Ground Potential	-0.5	+4.6	V
DC Input Voltage (Except REF)	-0.5	V _{DD} + 0.5	V
DC Input Voltage (REF)	-0.5	7	V
Storage Temperature	-65	+150	°C
Max. Soldering Temperature (10 sec)		260	°C
Junction Temperature		150	°C
Static Discharge Voltage (As per JEDEC STD22- A114-B)		2000	V

Stresses exceeding Maximum Ratings may damage the device. Maximum Ratings are stress ratings only. Functional operation above the Recommended Operating Conditions is not implied. Extended exposure to stresses above the Recommended Operating Conditions may affect device reliability.

ASM5P2304A

Table 4. OPERATING CONDITIONS

Parameter	Description	Min	Max	Unit	
V _{DD}	Supply Voltage	3.0	3.6	V	
T _A	Operating Temperature (Ambient Temperature)	Commercial temperature	0	70	°C
		Industrial temperature	-40	85	
C _L	Load Capacitance, below 100 MHz		30	pF	
C _L	Load Capacitance, from 100 MHz to 133 MHz		15	pF	
C _{IN}	Input Capacitance (Note 3)		7	pF	

3. Applies to both Ref Clock and FBK.

Table 5. ELECTRICAL CHARACTERISTICS

Parameter	Description	Test Conditions		Min	Max	Unit
V _{IL}	Input LOW Voltage				0.8	V
V _{IH}	Input HIGH Voltage			2.2		V
I _{IL}	Input LOW Current	V _{IN} = 0 V			50	!!A
I _{IH}	Input HIGH Current	V _{IN} = V _{DD}			100	!!A
V _{OL}	Output LOW Voltage (Note 4)	I _{OL} = 8 mA (-1, -2) I _{OL} = 12 mA (-1H, -2H)			0.4	V
V _{OH}	Output HIGH Voltage (Note 4)	I _{OH} = -8 mA (-1, -2) I _{OH} = -12 mA (-1H, -2H)		2.4		V
I _{DD}	Supply Current	Unloaded outputs @ 100 MHz	Commercial temp.		35	mA
			Industrial temp.		40	
		Unloaded outputs @ 66 MHz, (-1, -1H, -2, -2H)	Commercial temp.		25	
			Industrial temp.		30	
		Unloaded outputs @ 33 MHz, (-1, -1H, -2, -2H)	Commercial temp.		16	
			Industrial temp.		20	

4. Parameter is guaranteed by design and characterization. Not 100% tested in production.

ASM5P2304A

Table 6. SWITCHING CHARACTERISTICS (Notes 5, 6)

Parameter	Test Conditions		Min	Typ	Max	Unit
Output Frequency	30 pF load	(-1, -1H) devices	10		100	MHz
		(-2, -2H) devices	12		100	
	15 pF load	(-1, -1H) devices	10		133	
		(-2, -2H) devices	12		133	
Duty Cycle (Note 7) (-1, -2, -1H, -2H)	Measured at 1.4 V, F _{OUT} < 66.66 MHz, 30 pF load		40	50	60	%
Duty Cycle (Note 7) (-1, -2, -1H, -2H)	Measured at 1.4 V, F _{OUT} ≤ 50 MHz, 15 pF load		45	50	55	%
Output Rise Time (Note 7) (-1, -2)	Measured between 0.8 V and 2.0 V, 30 pF load	Commercial temp.			2.2	nS
		Industrial temp.			2.5	
Output Rise Time (Note 7) (-1H, -2H)	Measured between 0.8 V and 2.0 V, 30 pF load	Commercial temp., Industrial temp.		1.5	2	nS
Output Rise Time (Note 7) (-1, -2)	Measured between 0.8 V and 2.0 V, 15 pF load				1.5	nS
Output Fall Time (Note 7) (-1, -2)	Measured between 2.0 V and 0.8 V, 30 pF load	Commercial temp.			2.2	nS
		Industrial temp.			2.5	
Output Fall Time (Note 7) (-1H, -2H)	Measured between 2.0 V and 0.8 V, 30 pF load	Commercial temp., Industrial temp.		1.25	1.5	nS
Output Fall Time (Note 7) (-1, -2)	Measured between 2.0 V and 0.8 V, 15 pF load				1.5	nS
Output-to-output skew on same bank (-1, -1H, -2, -2H) (Note 7)	All outputs equally loaded				200	pS
Output bank A -to- output bank B skew (-1, -1H)	All outputs equally loaded				200	
Output bank A to output Bank B skew (-2, -2H) (Note 7)	All outputs equally loaded				400	
Delay, REF Rising Edge to FBK Rising Edge (Note 7)	Measured at V _{DD} /2			0	±250	pS
Device-to-Device Skew (Note 7)	Measured at V _{DD} /2 on the FBK pins of the device			0	500	pS
Cycle-to-Cycle Jitter (Note 7)	(-1, -1H)	Measured at 66.67 MHz, loaded outputs, 15 pF load			180	pS
		Measured at 66.67 MHz, loaded outputs, 30 pF load			200	
		Measured at 133 MHz, loaded outputs, 15 pF load			125	
	(-2, -2H)	Measured at 66.67 MHz, loaded outputs, 15 pF load			380	
		Measured at 66.67 MHz, loaded outputs, 30 pF load			400	
PLL Lock Time (Note 7)	Stable power supply, valid clock presented on REF and FBK pins				1.0	mS

5. For all measurements use Test Circuit #1.

6. All parameters are specified at Commercial and Industrial temperature unless stated otherwise.

7. Parameter is guaranteed by design and characterization. Not 100% tested in production.

ASM5P2304A

Switching Waveforms

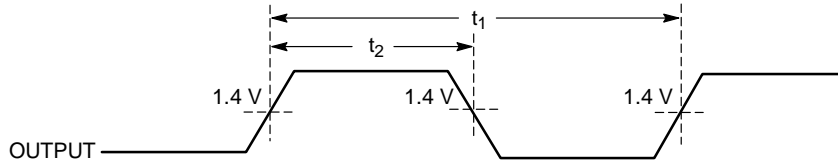


Figure 3. Duty Cycle Timing

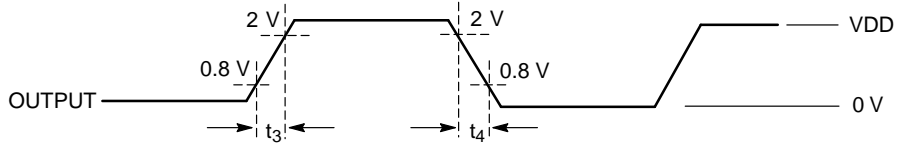


Figure 4. All Outputs Rise/Fall Time

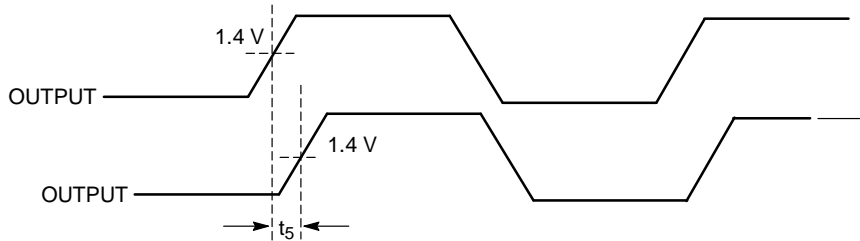


Figure 5. Output-Output Skew

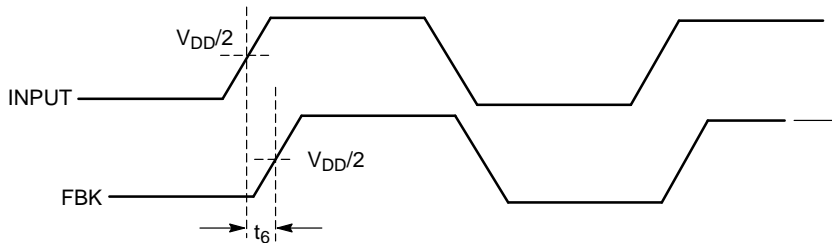


Figure 6. Input-Output Propagation Delay

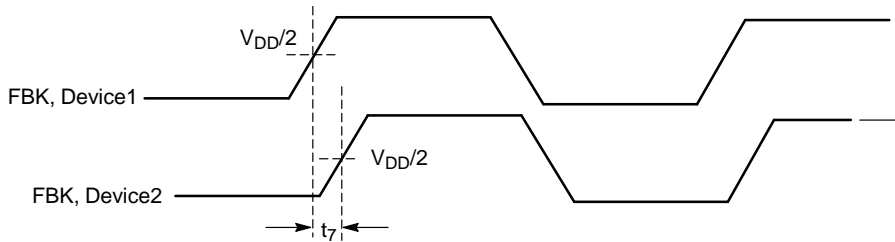


Figure 7. Device-Device Skew

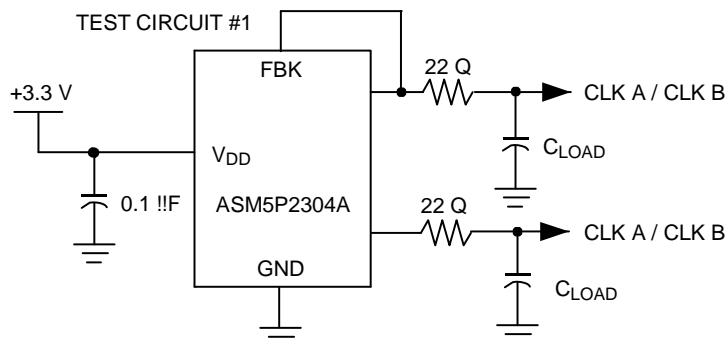
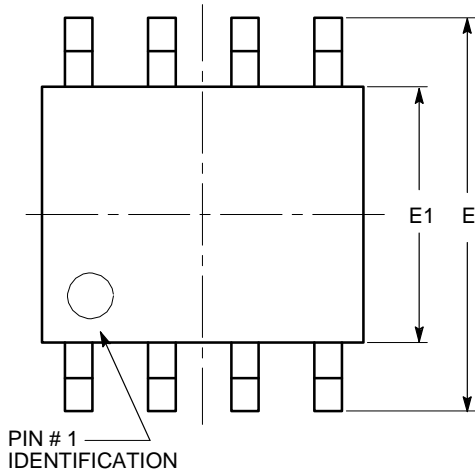


Figure 8. Test Circuit

ASM5P2304A

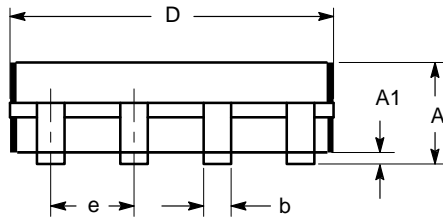
PACKAGE DIMENSIONS

SOIC 8, 150 mils
CASE 751BD-01
ISSUE O

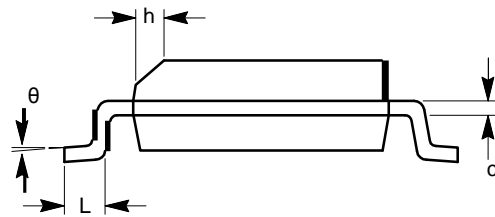


TOP VIEW

SYMBOL	MIN	NOM	MAX
A	1.35		1.75
A1	0.10		0.25
b	0.33		0.51
c	0.19		0.25
D	4.80		5.00
E	5.80		6.20
E1	3.80		4.00
e	1.27 BSC		
h	0.25		0.50
L	0.40		1.27
θ	0°		8°



SIDE VIEW



END VIEW


Notes:

- (1) All dimensions are in millimeters. Angles in degrees.
- (2) Complies with JEDEC MS-012.

ASM5P2304A

Table 7. ORDERING INFORMATION

Part Number	Marking	Package Type	Temperature
P5P2304AF-1-08SR	5P2304AF-1	8-pin 150-mil SOIC-TAPE & REEL, Pb free	Commercial
ASM5P2304AF-1-08-ST	5P2304AF-1	8-pin 150-mil SOIC-TUBE, Pb free	Commercial
ASM5I2304AF-1-08-SR	5I2304AF-1	8-pin 150-mil SOIC-TAPE & REEL, Pb free	Industrial
ASM5I2304AF-1-08-ST	5I2304AF-1	8-pin 150-mil SOIC-TUBE, Pb free	Industrial
P5P2304AF-1H08SR	5P2304AF-1H	8-pin 150-mil SOIC-TAPE & REEL, Pb free	Commercial
ASM5P2304AF-1H-08-ST	5P2304AF-1H	8-pin 150-mil SOIC-TUBE, Pb free	Commercial
P5I2304AF-1H08SR	5I2304AF-1H	8-pin 150-mil SOIC-TAPE & REEL, Pb free	Industrial
ASM5I2304AF-1H-08-ST	5I2304AF-1H	8-pin 150-mil SOIC-TUBE, Pb free	Industrial
P5P2304AF-2-08SR	5P2304AF-2	8-pin 150-mil SOIC-TAPE & REEL, Pb free	Commercial
P5P2304AF-2-08ST	5P2304AF-2	8-pin 150-mil SOIC-TUBE, Pb free, Pb free	Commercial
ASM5I2304AF-2-08-SR	5I2304AF-2	8-pin 150-mil SOIC-TAPE & REEL, Pb free	Industrial
P5I2304AF-2-08ST	5I2304AF-2	8-pin 150-mil SOIC-TUBE, Pb free	Industrial
ASM5P2304AF-2H-08-SR	5P2304AF-2H	8-pin 150-mil SOIC-TAPE & REEL, Pb free	Commercial
ASM5P2304AF-2H-08-ST	5P2304AF-2H	8-pin 150-mil SOIC-TUBE, Pb free	Commercial
ASM5I2304AF-2H-08-SR	5I2304AF-2H	8-pin 150-mil SOIC-TAPE & REEL, Pb free	Industrial
ASM5I2304AF-2H-08-ST	5I2304AF-2H	8-pin 150-mil SOIC-TUBE, Pb free	Industrial

ON Semiconductor and  are registered trademarks of Semiconductor Components Industries, LLC (SCILLC). SCILLC reserves the right to make changes without further notice to any products herein. SCILLC makes no warranty, representation or guarantee regarding the suitability of its products for any particular purpose, nor does SCILLC assume any liability arising out of the application or use of any product or circuit, and specifically disclaims any and all liability, including without limitation special, consequential or incidental damages. "Typical" parameters which may be provided in SCILLC data sheets and/or specifications can and do vary in different applications and actual performance may vary over time. All operating parameters, including "Typicals" must be validated for each customer application by customer's technical experts. SCILLC does not convey any license under its patent rights nor the rights of others. SCILLC products are not designed, intended, or authorized for use as components in systems intended for surgical implant into the body, or other applications intended to support or sustain life, or for any other application in which the failure of the SCILLC product could create a situation where personal injury or death may occur. Should Buyer purchase or use SCILLC products for any such unintended or unauthorized application, Buyer shall indemnify and hold SCILLC and its officers, employees, subsidiaries, affiliates, and distributors harmless against all claims, costs, damages, and expenses, and reasonable attorney fees arising out of, directly or indirectly, any claim of personal injury or death associated with such unintended or unauthorized use, even if such claim alleges that SCILLC was negligent regarding the design or manufacture of the part. SCILLC is an Equal Opportunity/Affirmative Action Employer. This literature is subject to all applicable copyright laws and is not for resale in any manner.

PUBLICATION ORDERING INFORMATION

LITERATURE FULFILLMENT:

Literature Distribution Center for ON Semiconductor
P.O. Box 5163, Denver, Colorado 80217 USA
Phone: 303-675-2175 or 800-344-3860 Toll Free USA/Canada
Fax: 303-675-2176 or 800-344-3867 Toll Free USA/Canada
Email: orderlit@onsemi.com

N. American Technical Support: 800-282-9855 Toll Free
USA/Canada
Europe, Middle East and Africa Technical Support:
Phone: 421 33 790 2910
Japan Customer Focus Center
Phone: 81-3-5773-3850

ON Semiconductor Website: www.onsemi.com

Order Literature: <http://www.onsemi.com/orderlit>

For additional information, please contact your local Sales Representative

ASM5P2304A/D