

阅读申明

- 1.本站收集的数据手册和产品资料都来自互联网，版权归原作者所有。如读者和版权方有任何异议请及时告之，我们将妥善解决。
- 2.本站提供的中文数据手册是英文数据手册的中文翻译，其目的是协助用户阅读，该译文无法自动跟随原稿更新，同时也可能存在翻译上的不当。建议读者以英文原稿为参考以便获得更精准的信息。
- 3.本站提供的产品资料，来自厂商的技术支持或者使用者的心得体会等，其内容可能存在描述上的差异，建议读者做出适当判断。
- 4.如需与我们联系，请发邮件到marketing@iczoom.com，主题请标有“数据手册”字样。

Read Statement

1. The datasheets and other product information on the site are all from network reference or other public materials, and the copyright belongs to the original author and original published source. If readers and copyright owners have any objections, please contact us and we will deal with it in a timely manner.
2. The Chinese datasheets provided on the website is a Chinese translation of the English datasheets. Its purpose is for reader's learning exchange only and do not involve commercial purposes. The translation cannot be automatically updated with the original manuscript, and there may also be improper translations. Readers are advised to use the English manuscript as a reference for more accurate information.
3. All product information provided on the website refer to solutions from manufacturers' technical support or users the contents may have differences in description, and readers are advised to take the original article as the standard.
4. If you have any questions, please contact us at marketing@iczoom.com and mark the subject with "Datasheets" .

Crystal Oscillators IC AN8958SSM

Overview

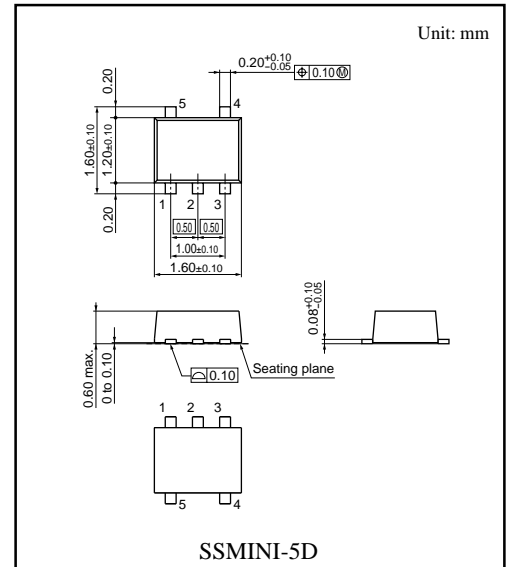
The AN8958SSM is a low-voltage operating IC for crystal oscillator. With a built-in stabilized power supply, oscillator circuit and output buffer, this IC facilitates construction of crystal oscillator circuitry.

Features

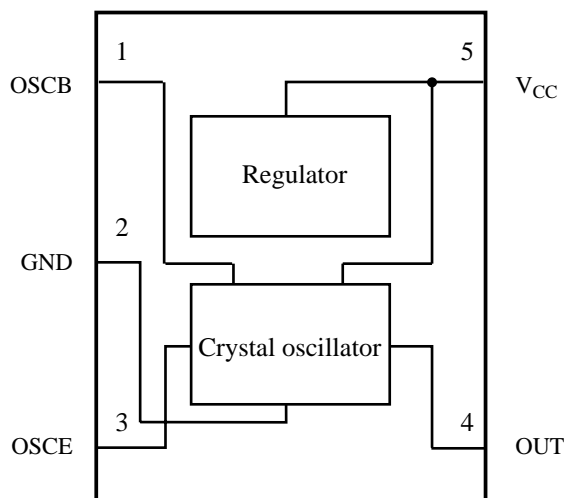
- Broad power supply voltage range: 2.6 V to 5.5 V
- SSMINI 5-pin package: 1.6 mm × 1.6 mm (incl. lead)

Applications

- Crystal oscillators for mobile communication equipment



Block Diagram



Pin Descriptions

Pin No.	Function
1	Oscillator input
2	GND
3	Oscillator feedback
4	Output
5	Power supply

† The products and specifications are subject to change without any notice. Please ask for the latest product standards to guarantee the satisfaction of your product requirements.

Semiconductor Company, Matsushita Electric Industrial Co., Ltd.

■ Absolute Maximum Ratings

Parameter	Symbol	Rating	Unit	Note
Storage temperature	T_{stg}	-55 to +125	°C	1
Operating ambient temperature	T_{opr}	-30 to +80	°C	1
Supply voltage	V_{CC}	6.5	V	
Supply current	I_{CC}	—	mA	
Power dissipation	P_D	54	mW	2

Note) 1. All items are at $T_a = 25^\circ\text{C}$, except for the operating ambient temperature and storage temperature parameters.
 2. $T_a = 80^\circ\text{C}$

■ Recommended Operating Range

Supply voltage	V_{CC}	2.3 V to 5.5 V
----------------	----------	----------------

■ Electrical Characteristics ($T_a = 25^\circ\text{C} \pm 2^\circ\text{C}$, $V_{CC} = 2.7\text{ V}$ unless otherwise specified)

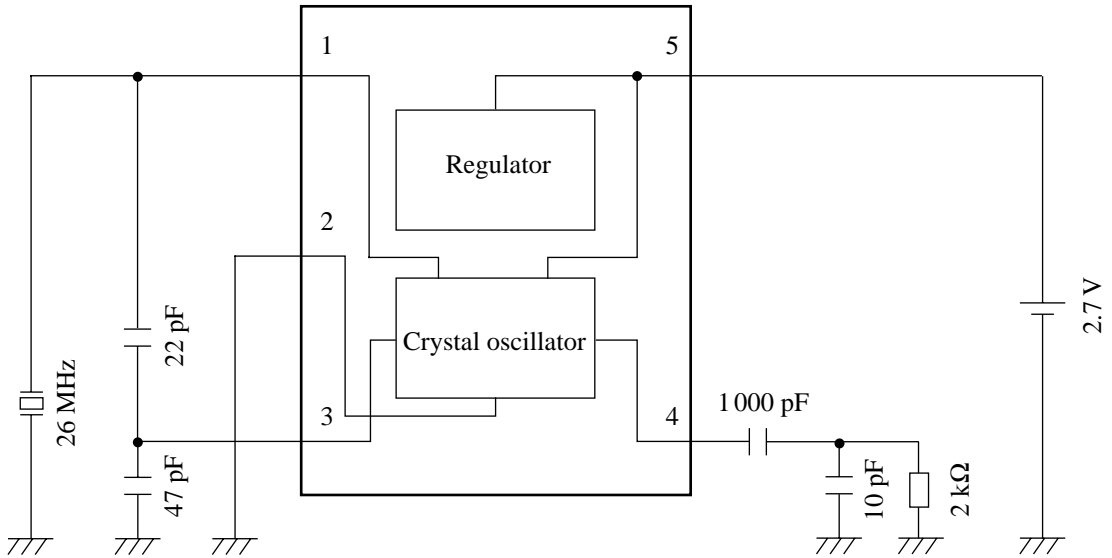
Parameter	Symbol	Conditions	Min	Typ	Max	Unit
Supply current	I_{CC}		1.15	1.39	1.63	mA
OSCB-pin voltage	V_{OB}		1.23	1.48	1.73	V
OSCE-pin voltage	V_{OE}		540	730	920	mV
OSCC-pin current	I_{OC}		1.40	1.80	2.20	mA

■ Electrical Characteristics (Reference Data for Designing)

Parameter	Symbol	Conditions	Min	Typ	Max	Unit
Crystal oscillator frequency	FOSC	$f_{OSC} = 26\text{ MHz}$	-50	—	+50	PPM
Crystal oscillator amplitude	V_{PP}	$f_{OSC} = 26\text{ MHz}$	0.8	—	—	V[p-p]
Oscillation circuit negative resistance	RN	$f_{OSC} = 26\text{ MHz}$	100	—	—	Ω
Change in oscillator frequency with load	FOSCL	$R_L, C_L = \pm 10\%$	-0.2	—	+0.2	PPM
Change in oscillator frequency with supply voltage	FOSCV	$V_{CC} = \pm 0.1\text{ V}$	-0.2	—	+0.2	PPM
Output amplitude duty ratio	DUTY	Base on GND	40	—	60	%

Note) * The above characteristics are reference values for designing and not guaranteed values.

■ Application Circuit



■ Package Power Dissipation

