

阅读申明

- 1.本站收集的数据手册和产品资料都来自互联网，版权归原作者所有。如读者和版权方有任何异议请及时告之，我们将妥善解决。
- 2.本站提供的中文数据手册是英文数据手册的中文翻译，其目的是协助用户阅读，该译文无法自动跟随原稿更新，同时也可能存在翻译上的不当。建议读者以英文原稿为参考以便获得更精准的信息。
- 3.本站提供的产品资料，来自厂商的技术支持或者使用者的心得体会等，其内容可能存在描述上的差异，建议读者做出适当判断。
- 4.如需与我们联系，请发邮件到marketing@iczoom.com，主题请标有“数据手册”字样。

Read Statement

1. The datasheets and other product information on the site are all from network reference or other public materials, and the copyright belongs to the original author and original published source. If readers and copyright owners have any objections, please contact us and we will deal with it in a timely manner.
2. The Chinese datasheets provided on the website is a Chinese translation of the English datasheets. Its purpose is for reader's learning exchange only and do not involve commercial purposes. The translation cannot be automatically updated with the original manuscript, and there may also be improper translations. Readers are advised to use the English manuscript as a reference for more accurate information.
3. All product information provided on the website refer to solutions from manufacturers' technical support or users the contents may have differences in description, and readers are advised to take the original article as the standard.
4. If you have any questions, please contact us at marketing@iczoom.com and mark the subject with "Datasheets" .

24-bit 192kHz Stereo DAC with 2Vrms Ground Referenced Line Output

DESCRIPTION

The WM1824B is a stereo DAC with integral charge pump. This provides 2Vrms line driver outputs using a single 3.3V power supply rail.

The device features ground-referenced outputs and the use of a DC servo to eliminate the need for line driving coupling capacitors and effectively eliminate power on pops and clicks.

The device is controlled and configured via a hardware control interface.

The device supports all common audio sampling rates between 8kHz and 192kHz using all common MCLK fs rates. The audio interface operates in slave mode.

The WM1824B has a 3.3V tolerant digital interface, allowing logic up to 3.3V to be connected.

The device is available in a 16-pin TSSOP package.

FEATURES

- High performance stereo DAC with ground referenced line driver
- Audio Performance
 - 106dB SNR ('A-weighted')
 - -87dB THD @ -1dBFS
- 120dB mute attenuation
- All common sample rates from 8kHz to 192kHz supported
- Hardware control mode
- I²S input data format
- < 1mV DC offset on Line Outputs
- Pop/Click suppressed Power Up/Down Sequencer
- AVDD, LINEVDD and DBVDD can operate at +3.3V ±10% allowing single supply
- 16 lead TSSOP package
- Operating temperature range: -40°C to 85°C

APPLICATIONS

- Consumer digital audio applications requiring 2Vrms output
 - Games Consoles
 - Set Top Box
 - A/V Receivers
 - DVD Players
 - Digital TV

BLOCK DIAGRAM

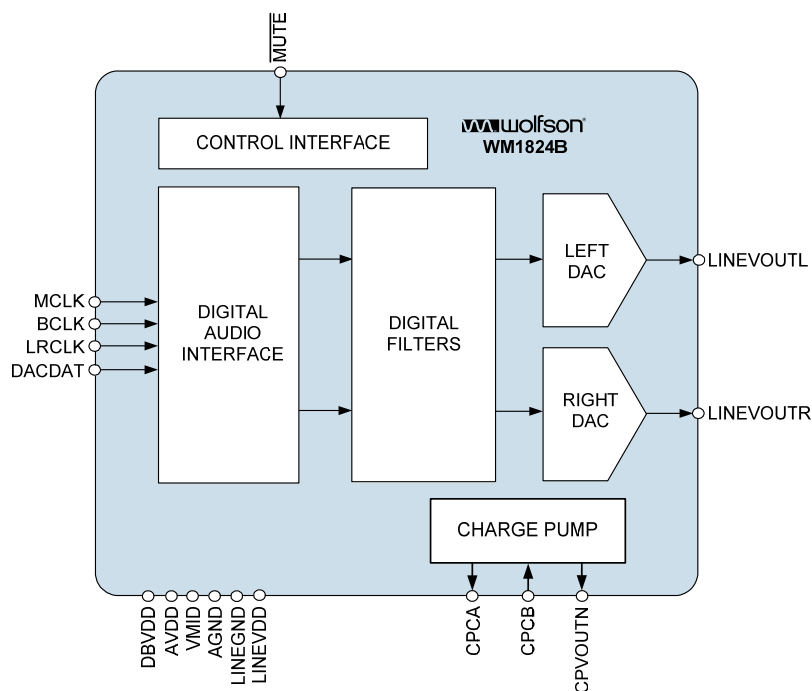
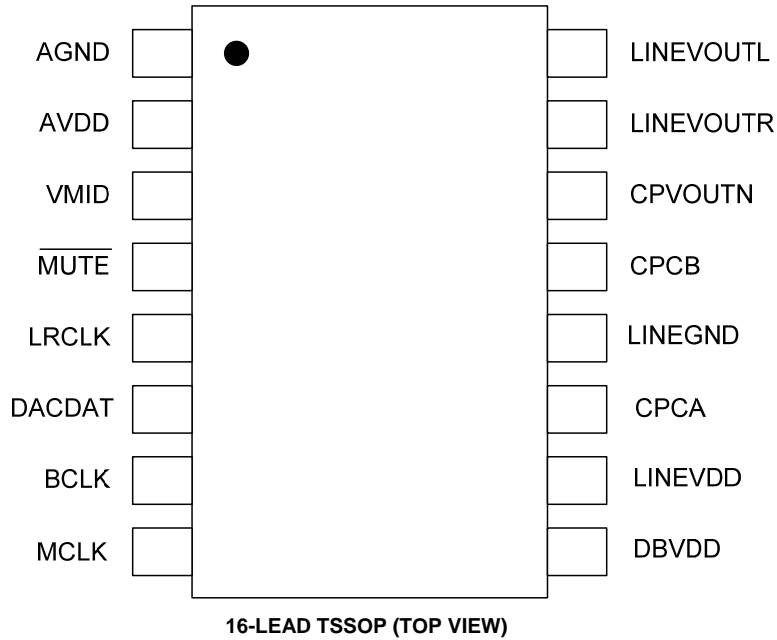


TABLE OF CONTENTS

DESCRIPTION	1
FEATURES	1
APPLICATIONS	1
BLOCK DIAGRAM	1
TABLE OF CONTENTS	2
PIN CONFIGURATION	3
ORDERING INFORMATION	3
PIN DESCRIPTION	4
ABSOLUTE MAXIMUM RATINGS	5
RECOMMENDED OPERATING CONDITIONS	5
ELECTRICAL CHARACTERISTICS	6
TERMINOLOGY	6
POWER CONSUMPTION MEASUREMENTS	8
SIGNAL TIMING REQUIREMENTS	9
SYSTEM CLOCK TIMING.....	9
AUDIO INTERFACE TIMING	10
POWER ON RESET CIRCUIT.....	11
DEVICE DESCRIPTION	13
INTRODUCTION	13
DIGITAL AUDIO INTERFACE.....	13
DIGITAL AUDIO DATA SAMPLING RATES	14
HARDWARE CONTROL INTERFACE	15
DIGITAL FILTER CHARACTERISTICS	17
DAC FILTER RESPONSES	18
APPLICATIONS INFORMATION	19
RECOMMENDED EXTERNAL COMPONENTS	19
RECOMMENDED ANALOGUE LOW PASS FILTER.....	20
RELEVANT APPLICATION NOTES	20
PACKAGE DIMENSIONS	21
IMPORTANT NOTICE	22
ADDRESS	22
REVISION HISTORY	23

PIN CONFIGURATION



ORDERING INFORMATION

ORDER CODE	TEMPERATURE RANGE	PACKAGE	MOISTURE SENSITIVITY LEVEL	PEAK SOLDERING TEMPERATURE
WM1824BGEDT	-40°C to +85°C	16-lead TSSOP (pb-free)	MSL1	260°C
WM1824BGEDT/R	-40°C to +85°C	16-lead TSSOP (pb-free, tape and reel)	MSL1	260°C

Note:

Reel quantity = 2,000

PIN DESCRIPTION

PIN NO	NAME	TYPE	DESCRIPTION
1	AGND	Supply	Analogue ground
2	AVDD	Supply	Analogue supply
3	VMID	Analogue Out	Analogue midrail decoupling pin
4	MUTE	Digital Input	0 = Mute enabled 1 = Mute disabled
5	LRCLK	Digital Input	Digital audio interface left/right clock
6	DACDAT	Digital Input	Digital audio interface data input
7	BCLK	Digital Input	Digital audio interface bit clock
8	MCLK	Digital Input	Master clock
9	DBVDD	Supply	Digital buffer supply
10	LINEVDD	Supply	Charge pump supply
11	CPCA	Analogue Out	Charge pump fly back capacitor pin
12	LINEGND	Supply	Must be connected to AGND
13	CPCB	Analogue In	Charge pump fly back capacitor pin
14	CPVOUTN	Analogue Out	Charge pump negative rail decoupling pin
15	LINEVOUTR	Analogue Out	Right line output
16	LINEVOUTL	Analogue Out	Left line output

ABSOLUTE MAXIMUM RATINGS

Absolute Maximum Ratings are stress ratings only. Permanent damage to the device may be caused by continuously operating at or beyond these limits. Device functional operating limits and guaranteed performance specifications are given under Electrical Characteristics at the test conditions specified.



ESD Sensitive Device. This device is manufactured on a CMOS process. It is therefore generically susceptible to damage from excessive static voltages. Proper ESD precautions must be taken during handling and storage of this device.

Wolfson tests its package types according to IPC/JEDEC J-STD-020B for Moisture Sensitivity to determine acceptable storage conditions prior to surface mount assembly. These levels are:

MSL1 = unlimited floor life at <30°C / 85% Relative Humidity. Not normally stored in moisture barrier bag.

MSL2 = out of bag storage for 1 year at <30°C / 60% Relative Humidity. Supplied in moisture barrier bag.

MSL3 = out of bag storage for 168 hours at <30°C / 60% Relative Humidity. Supplied in moisture barrier bag.

The Moisture Sensitivity Level for each package type is specified in Ordering Information.

CONDITION	MIN	MAX
AVDD, LINEVDD, DBVDD	-0.3V	+4.5V
Voltage range digital inputs	AGND -0.3V	AVDD +0.3V
Voltage range analogue inputs	AGND -0.3V	AVDD +0.3V
Temperature range, T _A	-40°C	+125°C
Storage temperature after soldering	-65°C	+150°C

Notes:

1. LINEVDD and AVDD must always be within 0.3V of each other.

RECOMMENDED OPERATING CONDITIONS

PARAMETER	SYMBOL	TEST CONDITIONS	MIN	TYP	MAX	UNIT
Analogue supply range	AVDD, LINEVDD		2.97	3.3	3.63	V
Ground	AGND, LINEGND			0		V
Digital Buffer supply range	DBVDD		1.62	1.8 or 3.3	3.63	V

ELECTRICAL CHARACTERISTICS

Test Conditions

LINEVDD=AVDD=DBVDD=3.3V, LINEGND=AGND=0V, T_A=+25°C, fs=48kHz, MCLK=256fs, 24-bit data, unless otherwise stated. BCLK transition as per Figure 3.

PARAMETER	SYMBOL	TEST CONDITIONS	MIN	TYP	MAX	UNIT
Analogue Output Levels						
Output Level		0dBFS	2.04	$\frac{2.1 \times AVDD}{3.3}$	2.14	V _{rms}
Load Impedance			1 ¹			kΩ
Load Capacitance		No external RC filter			300	pF
		With filter shown in Figure 14			1	μF
DAC Performance						
Signal to Noise Ratio	SNR	R _L = 10kΩ A-weighted	100	106		dB
		R _L = 10kΩ Un-weighted		104		dB
Dynamic Range	DNR	R _L = 10kΩ A-weighted		104		dB
Total Harmonic Distortion	THD	-1dBFS		-87		dB
		0dBFS		-84		dB
AVDD + LINEVDD Power Supply Rejection Ratio	PSRR	100Hz		54		dB
		1kHz		54		dB
		20kHz		50		dB
Channel Separation		1kHz		100		dB
		20Hz to 20kHz		95		dB
System Absolute Phase				0		degrees
Channel Level Matching				0.1		dB
Mute Attenuation				-120		dB
DC Offset at LINEVOUTL and LINEVOUTR				<1		mV
Digital Logic Levels						
Input HIGH Level	V _{IH}		0.7× DBVDD			V
Input LOW Level	V _{IL}				0.3× DBVDD	V
Input Capacitance				10		pF
Input Leakage			-0.9		0.9	μA

Notes:

- To prevent over-current protection shutdown of the device, ensure that the load impedance is never less than 100Ω. If a load impedance of less than 100Ω is presented to either LINEVOUTL or LINEVOUTR, the device may go into a protective shutdown state where the charge pump will stop running and the device will shut down. It will take a hardware reset to come out of this state (recycle the power supplies or hold /MUTE low for 1024 LRCLK cycles after the low impedance load condition has been removed).

TERMINOLOGY

- Signal-to-Noise Ratio (dB) – SNR is a measure of the difference in level between the maximum theoretical full scale output signal and the output with no input signal applied.
- Total Harmonic Distortion (dB) – THD is the level of the rms value of the sum of harmonic distortion products relative to the amplitude of the measured output signal.
- All performance measurements carried out with 20kHz low pass filter, and where noted an A-weighted filter. Failure to use such a filter will result in higher THD and lower SNR readings than are found in the Electrical Characteristics. The low pass filter removes out of band noise; although it is not audible it may affect dynamic specification values.

-
4. Mute Attenuation – This is a measure of the difference in level between the full scale output signal and the output with mute applied.

POWER CONSUMPTION MEASUREMENTS

Test Conditions LINEVDD=AVDD=DBVDD=3.3V, LINEGND=AGND=0V, T _A =+25°C, quiescent (no signal)					
	TEST CONDITIONS	IAVDD (mA)	ILINEVDD (mA)	DBVDD (mA)	TOTAL (mA)
Off	No clocks applied	0.8	1.0	0.0	1.8
fs=48kHz, MCLK=256fs					
Standby	MUTE = 0	0.2	2.1	0.02	2.32
Playback	MUTE = 1	4.7	6.0	0.02	10.72
fs=96kHz, MCLK=256fs					
Standby	MUTE = 0	0.2	2.7	0.03	2.93
Playback	MUTE = 1	5.2	8.5	0.03	13.73
fs=192kHz, MCLK=128fs					
Standby	MUTE = 0	0.2	2.7	0.04	2.94
Playback	MUTE = 1	5.2	8.4	0.04	13.64

SIGNAL TIMING REQUIREMENTS

SYSTEM CLOCK TIMING

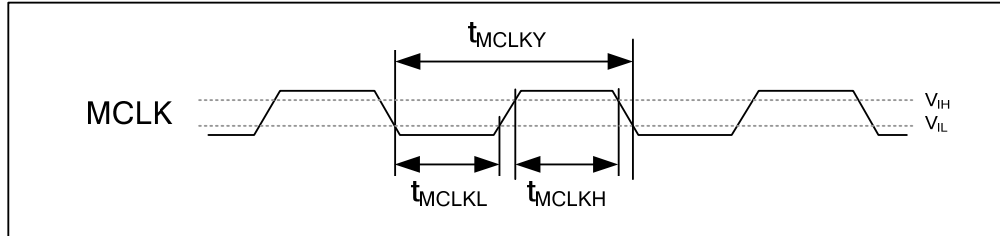


Figure 1 System Clock Timing Requirements

Test Conditions

LINEVDD=AVDD=DBVDD=2.97~3.63V, LINEGND=AGND=0V, T_A=+25°C

PARAMETER	SYMBOL	MIN	TYP	MAX	UNIT
Master Clock Timing Information					
MCLK cycle time	t_{MCLKY}	27		500	ns
MCLK high time	t_{MCLKH}	11			ns
MCLK low time	t_{MCLKL}	11			ns
MCLK duty cycle (t_{MCLKH}/t_{MCLKL})		40:60		60:40	%

AUDIO INTERFACE TIMING

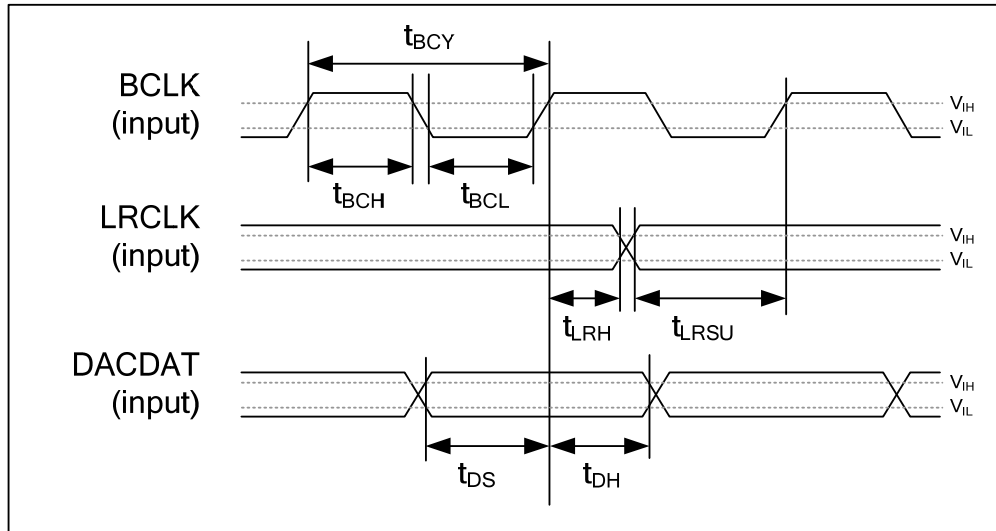


Figure 2 Digital Audio Data Timing – Slave Mode

Test Conditions

LINEVDD=AVDD=DBVDD=2.97~3.63V, LINEGND=AGND=0V, T_A=+25°C, Slave Mode

PARAMETER	SYMBOL	MIN	TYP	MAX	UNIT
Audio Data Input Timing Information					
BCLK cycle time	t _{BCY}	27			ns
BCLK pulse width high	t _{BCH}	11			ns
BCLK pulse width low	t _{BCL}	11			ns
LRCLK set-up time to BCLK rising edge	t _{LRSU}	7			ns
LRCLK hold time from BCLK rising edge	t _{LRH}	5			ns
DACDAT hold time from LRCLK rising edge	t _{DH}	5			ns
DACDAT set-up time to BCLK rising edge	t _{DS}	7			ns

Table 1 Slave Mode Audio Interface Timing

Note:

BCLK period should always be greater than or equal to MCLK period.

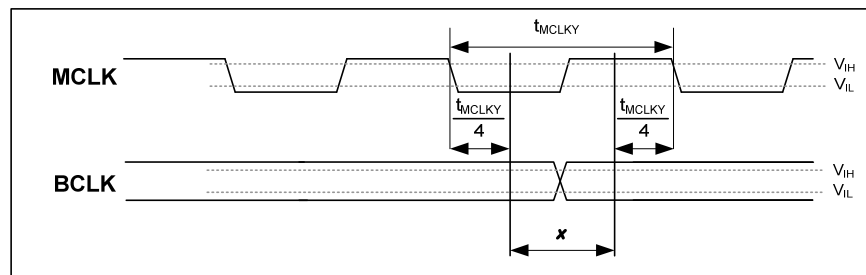


Figure 3 Recommended BCLK Transition Area for Optimum Performance

It is recommended that for optimum SNR performance the BCLK transition occurs centred around the MCLK rising edge, in the region 'x' shown in Figure 3 above. Operation out with this region can result in up to 8dB of degradation in SNR.

POWER ON RESET CIRCUIT

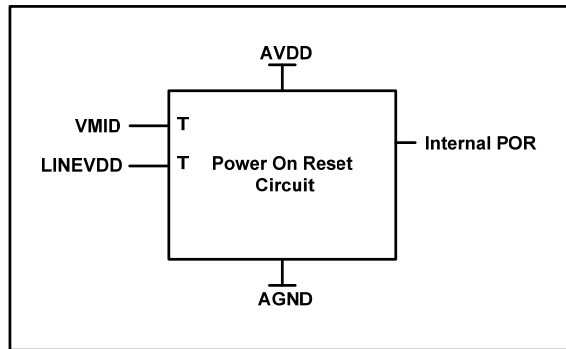


Figure 4 Internal Power on Reset Circuit Schematic

The WM1824B includes an internal Power-On-Reset circuit, as shown in Figure 4, which is used to reset the DAC digital logic into a default state after power up. The POR circuit is powered by AVDD and has as its inputs VMID and LINEVDD. It asserts POR low if VMID or LINEVDD are below a minimum threshold.

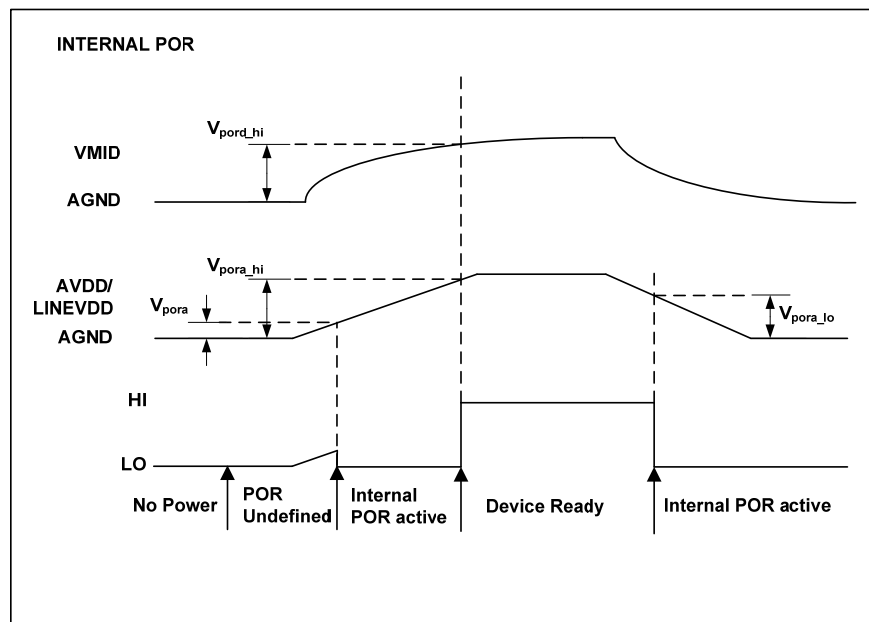


Figure 5 Typical Power Timing Requirements

Figure 5 shows a typical power-up sequence where LINEVDD comes up with AVDD. When AVDD goes above the minimum threshold, V_{pora} , there is enough voltage for the circuit to guarantee POR is asserted low and the chip is held in reset. In this condition, all writes to the control interface are ignored. After VMID rises to V_{pord_hi} and AVDD rises to V_{pora_hi} , POR is released high and access to the control interface and audio interface may take place. This assumes that DBVDD is at a level within the recommended operating conditions.

On power down, PORB is asserted low whenever LINEVDD or AVDD drop below the minimum threshold V_{pora_low} .

Test ConditionsLINEVDD = AVDD = DBVDD = 3.3V AGND = LINEGND = 0V, T_A = +25°C

PARAMETER	SYMBOL	TEST CONDITIONS	MIN	TYP	MAX	UNIT
Power Supply Input Timing Information						
VDD level to POR defined (LINEVDD/AVDD rising)	V _{pora}	Measured from AGND		158		mV
VDD level to POR rising edge (VMID rising)	V _{por_d_hi}	Measured from AGND	0.63	0.8	1	V
VDD level to POR rising edge (LINEVDD/AVDD rising)	V _{pora_hi}	Measured from AGND	1.44	1.8	2.18	V
VDD level to POR falling edge (LINEVDD/AVDD falling)	V _{pora_lo}	Measured from AGND	0.96	1.46	1.97	V

Table 2 Power on Reset**Note:** All values are simulated results

DEVICE DESCRIPTION

INTRODUCTION

The WM1824B provides high fidelity, $2V_{rms}$ ground referenced stereo line output from a single supply line with minimal external components. The integrated DC servo eliminates the requirement for external mute circuitry by minimising DC transients at the output during power up/down. The device is well-suited to both stereo and multi-channel systems.

The device supports all common audio sampling rates between 8kHz and 192kHz using common MCLK fs rates, with a slave mode audio interface.

The WM1824B supports a simple hardware control mode, allowing access to a mute control. An internal audio interface clock monitor automatically mutes the DAC output if the BCLK is interrupted.

DIGITAL AUDIO INTERFACE

The digital audio interface is used for inputting audio data to the WM1824B. The digital audio interface uses three pins:

- DACDAT: DAC data input
- LRCLK: Left/Right data alignment clock
- BCLK: Bit clock, for synchronisation

The WM1824B digital audio interface operates as a slave as shown in Figure 6.

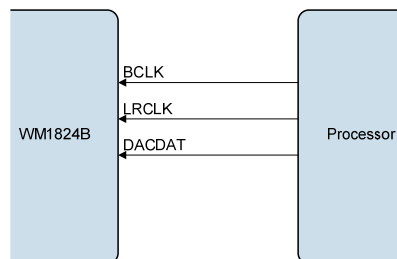


Figure 6 Slave Mode

INTERFACE FORMAT

The WM1824B supports I²S audio data format. This mode is MSB first, and is described in Audio Data Format on page 14. Refer to the “Electrical Characteristics” section for timing information.

AUDIO DATA FORMAT

In I²S mode, the MSB is available on the second rising edge of BCLK following a LRCLK transition. The other bits up to the LSB are then transmitted in order. Depending on word length, BCLK frequency and sample rate, there may be unused BCLK cycles between the LSB of one sample and the MSB of the next.

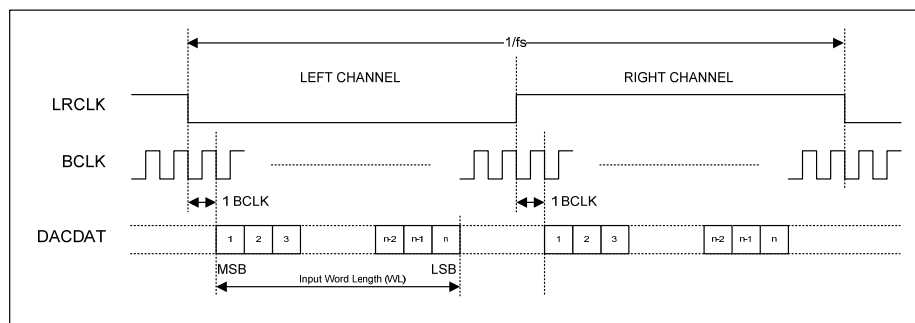


Figure 7 I²S Justified Audio Interface (assuming n-bit word length)

DIGITAL AUDIO DATA SAMPLING RATES

The external master clock is applied directly to the MCLK input pin. In a system where there are a number of possible sources for the reference clock, it is recommended that the clock source with the lowest jitter be used for the master clock to optimise the performance of the WM1824B.

The WM1824B has a detection circuit that automatically determines the relationship between the master clock frequency (MCLK) and the sampling rate (LRCLK), to within ± 32 system clock periods. The MCLK must be synchronised with the LRCLK, although the device is tolerant of phase variations or jitter on the MCLK.

If during sample rate change the ratio between MCLK and LRCLK varies more than once within 1026 LRCLK periods, then it is recommended that the device be taken into the standby state or the off state before the sample rate change and held in standby until the sample rate change is complete. This will ensure correct operation of the detection circuit on the return to the enabled state. For details on the standby state, please refer to the Power up and down control section of the datasheet on page 16.

The DAC supports MCLK to LRCLK ratios of 128fs to 1152fs and sampling rates of 8kHz to 192kHz.

Table 3 shows typical master clock frequencies and sampling rates supported by the WM1824B DAC.

Sampling Rate LRCLK	MASTER CLOCK FREQUENCY (MHz)						
	128fs	192fs	256fs	384fs	512fs	768fs	1152fs
8kHz	Unavailable	Unavailable	2.048	3.072	4.096	6.144	9.216
32kHz	Unavailable	Unavailable	8.192	12.288	16.384	24.576	36.864
44.1kHz	Unavailable	Unavailable	11.2896	16.9344	22.5792	33.8688	Unavailable
48kHz	Unavailable	Unavailable	12.288	18.432	24.576	36.864	Unavailable
88.2kHz	11.2896	16.9344	22.5792	33.8688	Unavailable	Unavailable	Unavailable
96kHz	12.288	18.432	24.576	36.864	Unavailable	Unavailable	Unavailable
176.4kHz	22.5792	33.8688	Unavailable	Unavailable	Unavailable	Unavailable	Unavailable
192kHz	24.576	36.864	Unavailable	Unavailable	Unavailable	Unavailable	Unavailable

Table 3 MCLK Frequencies and Audio Sample Rates

HARDWARE CONTROL INTERFACE

The device is configured according to logic levels applied to the hardware control pins as described in Table 4.

PIN NAME	PIN NUMBER	DESCRIPTION
MUTE	4	Mute Control 0 = Mute 1 = Normal operation

Table 4 Hardware Control Pin Configuration

MUTE

The $\overline{\text{MUTE}}$ pin controls the DAC mute to both left and right channels. When the mute is asserted a softmute is applied to ramp the signal down in 800 samples. When the mute is de-asserted the signal returns to full scale in one step.

POWER UP AND DOWN CONTROL

The MCLK, BCLK and $\overline{\text{MUTE}}$ pins are monitored to control how the device powers up or down, and this is summarised in Figure 8 below.

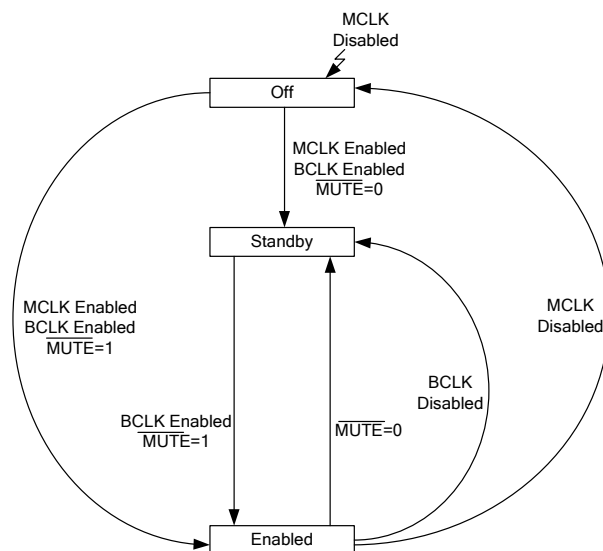


Figure 8 Hardware Power Sequence Diagram

Off to Enable

To power up the device to enabled, start MCLK and BCLK and set $\overline{\text{MUTE}} = 1$.

Off to Standby

To power up the device to standby, start MCLK and BCLK and set $\overline{\text{MUTE}} = 0$. Once the device is in standby mode, BCLK can be disabled and the device will remain in standby mode.

Standby to Enable

To transition from the standby state to the enabled state, set the $\overline{\text{MUTE}}$ pin to logic 1 and start BCLK.

Enable to Standby

To power down to a standby state leaving the charge pump running, either set the $\overline{\text{MUTE}}$ pin to logic 0 or stop BCLK. MCLK must continue to run in these situations. The device will automatically mute and power down quietly in either case.

Note: It is recommended that the device is placed in standby mode before sample rate change if the sample rate changes more than once in 1026 LRCLK periods, as detailed in Digital Audio Data Sampling Rates on page 14.

Enable to Off

To power down the device completely, stop MCLK at any time. It is recommended that the device is placed into standby mode as described above before stopping MCLK to allow a quiet shutdown.

For the timing of the off state to enabled state transition (power on to audio out timing), and the enabled state to standby state transition (the shutdown timing), please refer to WTN0302.

DIGITAL FILTER CHARACTERISTICS

PARAMETER	TEST CONDITIONS	MIN	TYP	MAX	UNIT
DAC Filter – 256fs to 1152fs					
Passband	$\pm 0.1\text{dB}$			0.454fs	
Passband Ripple				0.1	dB
Stopband		0.546fs			
Stopband attenuation	$f > 0.546\text{fs}$	-50			dB
Group Delay			10		Fs
DAC Filter – 128fs and 192fs					
Passband	$\pm 0.1\text{dB}$			0.247fs	
Passband Ripple				0.1	dB
Stopband		0.753fs			
Stopband attenuation	$f > 0.753\text{fs}$	-50			dB
Group Delay			10		Fs

TERMINOLOGY

1. Stop Band Attenuation (dB) – the degree to which the frequency spectrum is attenuated
2. Pass-band Ripple – any variation of the frequency response in the pass-band region

DAC FILTER RESPONSES

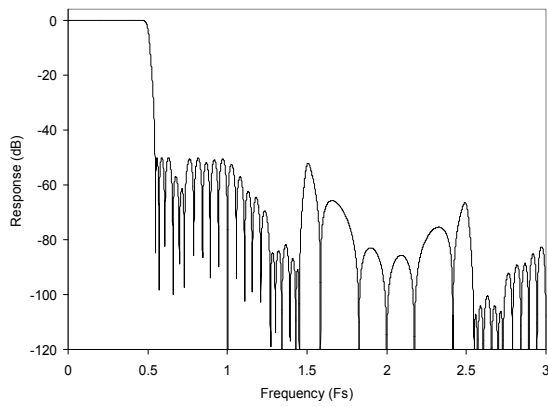


Figure 9 DAC Digital Filter Frequency Response – 256fs to 1152fs Clock Modes

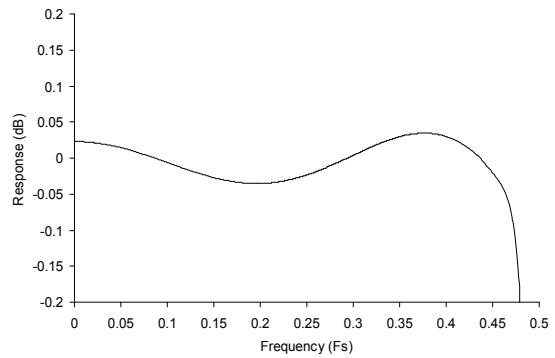


Figure 10 DAC Digital Filter Ripple – 256fs to 1152fs Clock Modes

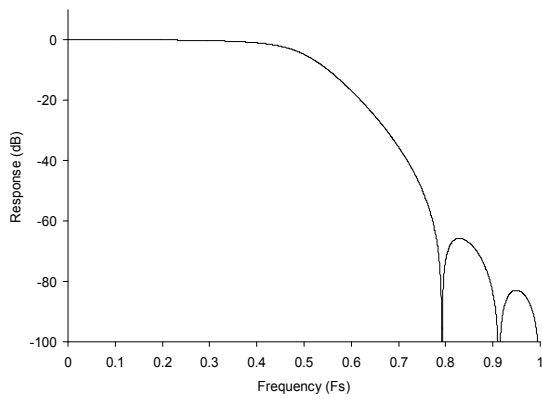


Figure 11 DAC Digital Filter Frequency Response – 128fs and 192fs Clock Modes

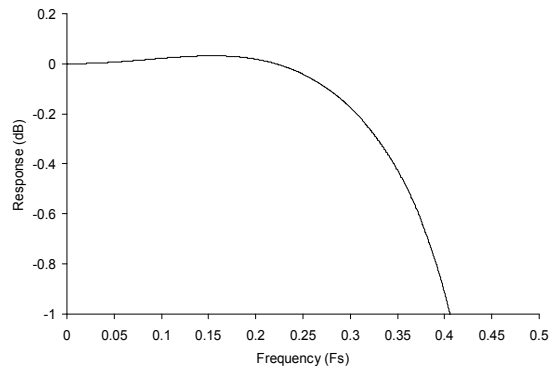


Figure 12 DAC Digital Filter Ripple – 128fs to 192fs Clock Modes

APPLICATIONS INFORMATION

RECOMMENDED EXTERNAL COMPONENTS

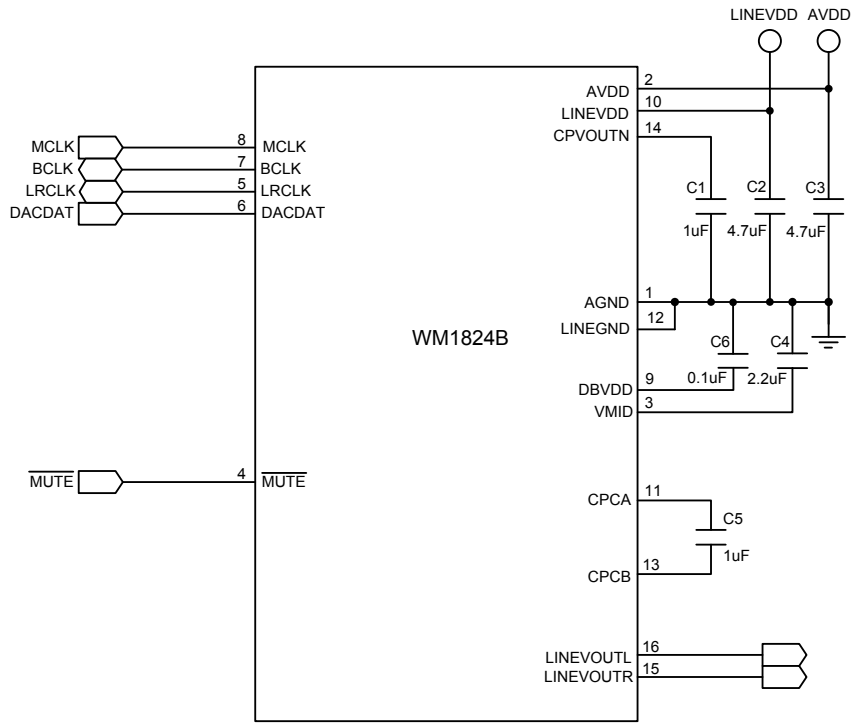


Figure 13 Recommended External Components

Notes:

1. Wolfson recommend using a single, common ground plane. Where this is not possible, care should be taken to optimise split ground configuration for audio performance.
2. Charge Pump fly-back capacitor C5 should be placed as close to WM1824B as possible, followed by Charge Pump decoupling capacitor C1, then LINEVDD and VMID decoupling capacitors.
3. Capacitor types should be chosen carefully. Capacitors with very low ESR are recommended for optimum performance.

RECOMMENDED ANALOGUE LOW PASS FILTER

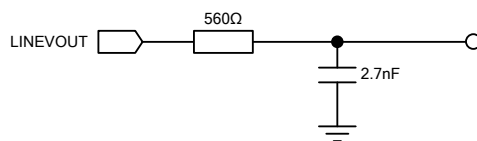


Figure 14 Recommended Analogue Low Pass Filter (one channel shown)

An external single-pole RC filter is recommended if the device is driving a wideband amplifier. Other filter architectures may provide equally good results.

The filter shown in Figure 14 has a -3dB cut-off at 105.26kHz and a droop of 0.15dB at 20kHz. The typical output from the WM1824B is 2.1Vrms – when a 10kΩ load is placed at the output of this recommended filter the amplitude across this load is 1.99Vrms.

RELEVANT APPLICATION NOTES

The following application notes, available from www.wolfsonmicro.com, may provide additional guidance for use of the WM1824B.

DEVICE PERFORMANCE:

WAN0129 – Decoupling and Layout Methodology for Wolfson DACs, ADCs and CODECs

WAN0144 – Using Wolfson Audio DACs and CODECs with Noisy Supplies

GENERAL:

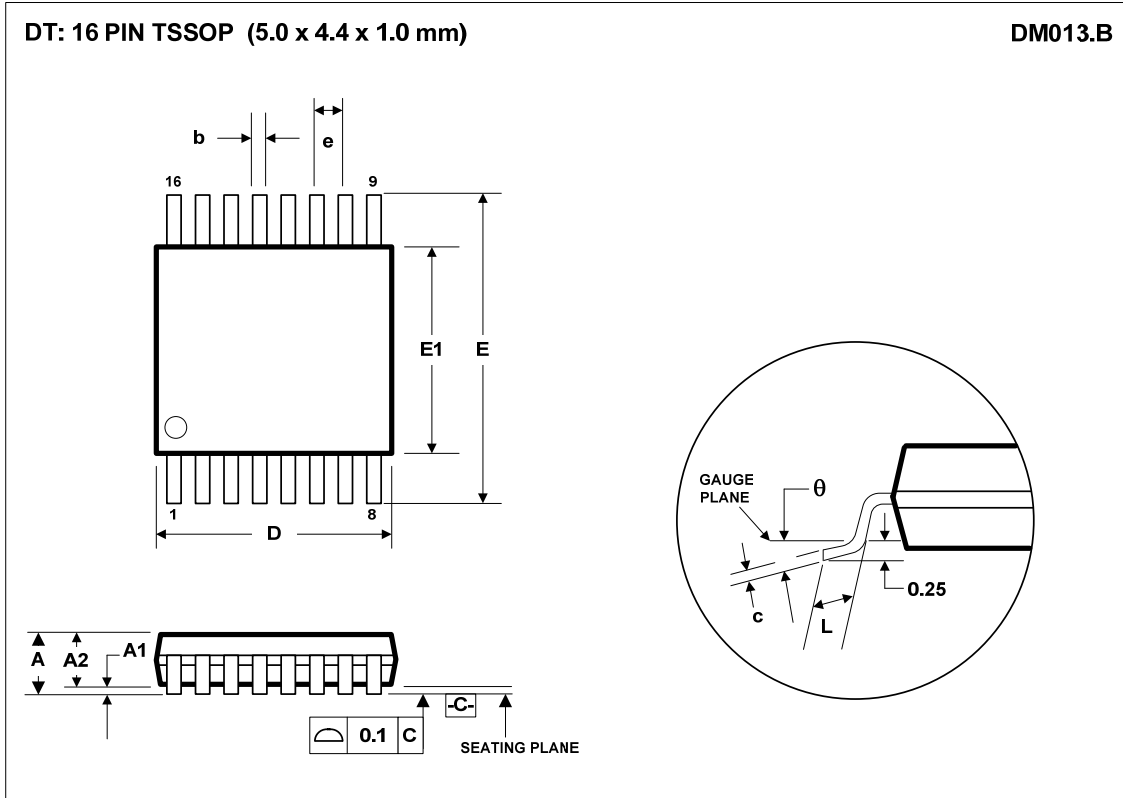
WAN0108 – Moisture Sensitivity Classification and Plastic IC Packaging

WAN0109 – ESD Damage in Integrated Circuits: Causes and Prevention

WAN0158 – Lead-Free Solder Profiles for Lead-Free Components

WAN0161 – Electronic End-Product Design for ESD

PACKAGE DIMENSIONS



Symbols	Dimensions (mm)		
	MIN	NOM	MAX
A	----	----	1.20
A₁	0.05	----	0.15
A₂	0.80	1.00	1.05
b	0.19	----	0.30
c	0.09	----	0.20
D	4.90	5.00	5.10
e	0.65 BSC		
E	6.4 BSC		
E₁	4.30	4.40	4.50
L	0.45	0.60	0.75
θ	0°	----	8°
REF:	JEDEC.95, MO-153		

- NOTES:
 A. ALL LINEAR DIMENSIONS ARE IN MILLIMETERS.
 B. THIS DRAWING IS SUBJECT TO CHANGE WITHOUT NOTICE.
 C. BODY DIMENSIONS DO NOT INCLUDE MOLD FLASH OR PROTRUSION, NOT TO EXCEED 0.25MM.
 D. MEETS JEDEC.95 MO-153, VARIATION = AB. REFER TO THIS SPECIFICATION FOR FURTHER DETAILS.

IMPORTANT NOTICE

Wolfson Microelectronics plc ("Wolfson") products and services are sold subject to Wolfson's terms and conditions of sale, delivery and payment supplied at the time of order acknowledgement.

Wolfson warrants performance of its products to the specifications in effect at the date of shipment. Wolfson reserves the right to make changes to its products and specifications or to discontinue any product or service without notice. Customers should therefore obtain the latest version of relevant information from Wolfson to verify that the information is current.

Testing and other quality control techniques are utilised to the extent Wolfson deems necessary to support its warranty. Specific testing of all parameters of each device is not necessarily performed unless required by law or regulation.

In order to minimise risks associated with customer applications, the customer must use adequate design and operating safeguards to minimise inherent or procedural hazards. Wolfson is not liable for applications assistance or customer product design. The customer is solely responsible for its selection and use of Wolfson products. Wolfson is not liable for such selection or use nor for use of any circuitry other than circuitry entirely embodied in a Wolfson product.

Wolfson's products are not intended for use in life support systems, appliances, nuclear systems or systems where malfunction can reasonably be expected to result in personal injury, death or severe property or environmental damage. Any use of products by the customer for such purposes is at the customer's own risk.

Wolfson does not grant any licence (express or implied) under any patent right, copyright, mask work right or other intellectual property right of Wolfson covering or relating to any combination, machine, or process in which its products or services might be or are used. Any provision or publication of any third party's products or services does not constitute Wolfson's approval, licence, warranty or endorsement thereof. Any third party trade marks contained in this document belong to the respective third party owner.

Reproduction of information from Wolfson datasheets is permissible only if reproduction is without alteration and is accompanied by all associated copyright, proprietary and other notices (including this notice) and conditions. Wolfson is not liable for any unauthorised alteration of such information or for any reliance placed thereon.

Any representations made, warranties given, and/or liabilities accepted by any person which differ from those contained in this datasheet or in Wolfson's standard terms and conditions of sale, delivery and payment are made, given and/or accepted at that person's own risk. Wolfson is not liable for any such representations, warranties or liabilities or for any reliance placed thereon by any person.

ADDRESS

Wolfson Microelectronics plc

Westfield House

26 Westfield Road

Edinburgh

EH11 2QB

Tel :: +44 (0)131 272 7000

Fax :: +44 (0)131 272 7001

Email :: apps@wolfsonmicro.com

REVISION HISTORY

DATE	REV	ORIGINATOR	CHANGES	PAGE
12/11/10	1.0	Ben T/JMacD	First Release	
	1.0	TS	Changed part name to reflect TSSOP package type	22
10/05/11	3.0	Ben T	Added BCLK/MCLK optimum performance phase	9
28/02/12	3.1	JmacD	Order Codes changed from WM1824BGEDT/V and WM1824BGEDT/RV to WM1824BGEDT and WM1824BGEDT/R	3
28/02/12	3.1	JmacD	MSL changed from MSL3 to MSL1	3
05/07/12	3.2	BDC	Updated THD to match pre-production test data	1, 6
29/11/12	4.0	BDC	Added min A-weighted SNR	7