

## 阅读申明

- 1.本站收集的数据手册和产品资料都来自互联网，版权归原作者所有。如读者和版权方有任何异议请及时告之，我们将妥善解决。
- 2.本站提供的中文数据手册是英文数据手册的中文翻译，其目的是协助用户阅读，该译文无法自动跟随原稿更新，同时也可能存在翻译上的不当。建议读者以英文原稿为参考以便获得更精准的信息。
- 3.本站提供的产品资料，来自厂商的技术支持或者使用者的心得体会等，其内容可能存在描述上的差异，建议读者做出适当判断。
- 4.如需与我们联系，请发邮件到marketing@iczoom.com，主题请标有“数据手册”字样。

## Read Statement

1. The datasheets and other product information on the site are all from network reference or other public materials, and the copyright belongs to the original author and original published source. If readers and copyright owners have any objections, please contact us and we will deal with it in a timely manner.
2. The Chinese datasheets provided on the website is a Chinese translation of the English datasheets. Its purpose is for reader's learning exchange only and do not involve commercial purposes. The translation cannot be automatically updated with the original manuscript, and there may also be improper translations. Readers are advised to use the English manuscript as a reference for more accurate information.
3. All product information provided on the website refer to solutions from manufacturers' technical support or users the contents may have differences in description, and readers are advised to take the original article as the standard.
4. If you have any questions, please contact us at marketing@iczoom.com and mark the subject with "Datasheets" .

# ADC0804S030/040/050

Single 8 bits ADC, up to 30 MHz, 40 MHz or 50 MHz

Rev. 03 — 2 July 2012

Product data sheet

## 1. General description

---

The ADC0806030/040/050 are a family of 8-bit high-speed, low-power Analog-to-Digital Converters (ADC) for professional video and other applications. It converts the analog input signal into 8-bit binary coded digital signals at a maximum sampling rate of 50 MHz. All digital inputs and outputs are Transistor-Transistor Logic (TTL) and CMOS compatible, although a low-level sine wave clock input signal can also be used.

The device requires an external source to drive its reference ladder. If the application requires that the reference is driven via internal sources, IDT recommends you use one of the ADC1003S030/040/050 family.

## 2. Features

---

- 8-bit resolution
- Sampling rate up to 50 MHz
- DC sampling allowed
- One clock cycle conversion only
- High signal-to-noise ratio over a large analog input frequency range (7.8 effective bits at 4.43 MHz full-scale input at  $f_{clk} = 40$  MHz)
- No missing codes guaranteed
- In-Range (IR) CMOS output
- TTL and CMOS levels compatible digital inputs
- 3 V to 5 V CMOS digital outputs
- Low-level AC clock input signal allowed
- External reference voltage regulator
- Power dissipation only 175 mW (typical)
- Low analog input capacitance, no buffer amplifier required
- No sample-and-hold circuit required

## 3. Applications

---

- Video data digitizing
- Radar
- Transient signal analysis
- $\Sigma\Delta$  modulators
- Medical imaging
- Barcode scanner
- Global Positioning System (GPS) receiver



- Cellular base stations

## 4. Quick reference data

**Table 1. Quick reference data**

$V_{CCA} = V3$  to  $V4 = 4.75$  V to 5.25 V;  $V_{CCD} = V11$  to  $V12$  and  $V28$  to  $V27 = 4.75$  V to 5.25 V;  $V_{CCO} = V13$  to  $V14 = 3.0$  V to 5.25 V; AGND and DGND shorted together;  $T_{amb} = 0$  °C to 70 °C; typical values measured at  $V_{CCA} = V_{CCD} = 5$  V and  $V_{CCO} = 3.3$  V,  $V_{i(a)(p-p)} = 2.0$  V;  $C_L = 15$  pF and  $T_{amb} = 25$  °C; unless otherwise specified.

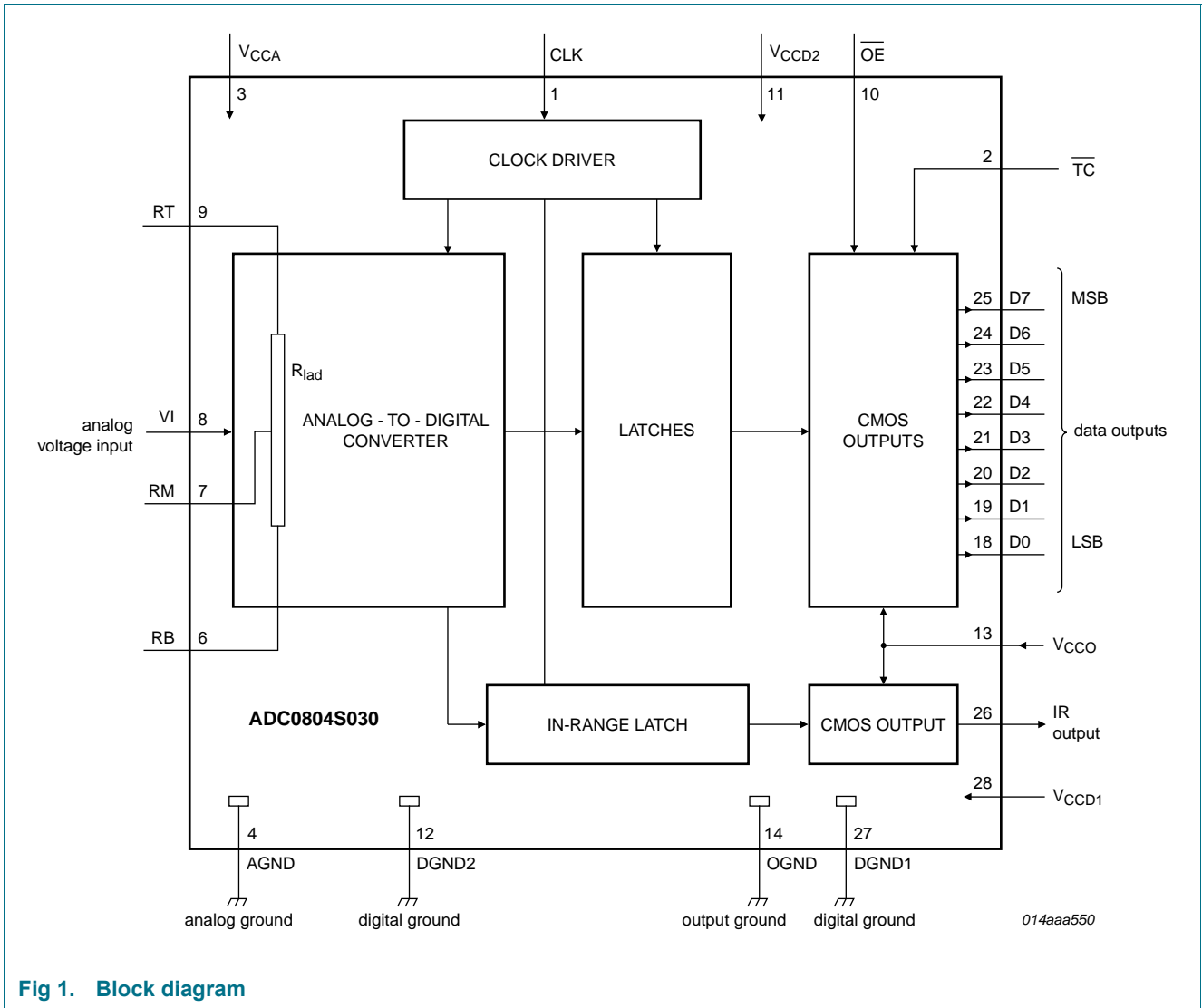
| Symbol         | Parameter                  | Conditions                        | Min  | Typ   | Max   | Unit |
|----------------|----------------------------|-----------------------------------|------|-------|-------|------|
| $V_{CCA}$      | analog supply voltage      |                                   | 4.75 | 5.0   | 5.25  | V    |
| $V_{CCD}$      | digital supply voltage     |                                   | 4.75 | 5.0   | 5.25  | V    |
| $V_{CCO}$      | output supply voltage      |                                   | 3.0  | 3.3   | 5.25  | V    |
| $I_{CCA}$      | analog supply current      |                                   | -    | 18    | 24    | mA   |
| $I_{CCD}$      | digital supply current     |                                   | -    | 16    | 21    | mA   |
| $I_{CCO}$      | output supply current      | $f_{clk} = 40$ MHz;<br>ramp input | -    | 1     | 2     | mA   |
| INL            | integral non-linearity     | $f_{clk} = 40$ MHz<br>ramp input  | -    | ±0.2  | ±0.5  | LSB  |
| DNL            | differential non-linearity | $f_{clk} = 40$ MHz<br>ramp input  | -    | ±0.12 | ±0.22 | LSB  |
| $f_{clk(max)}$ | maximum clock frequency    | ADC0804S030TS                     | 30   | -     | -     | MHz  |
|                |                            | ADC0804S040TS                     | 40   | -     | -     | MHz  |
|                |                            | ADC0804S050TS                     | 50   | -     | -     | MHz  |
| $P_{tot}$      | total power dissipation    | $f_{clk} = 40$ MHz;<br>ramp input | -    | 175   | 247   | mW   |

## 5. Ordering information

**Table 2. Ordering information**

| Type number   | Package |   |          | Sampling frequency (MHz) |
|---------------|---------|---|----------|--------------------------|
|               | Name    | Description   | Version  |                          |
| ADC0804S030TS | SSOP28  | plastic shrink small outline package; 28 leads; body width 5.3 mm | SOT341-1 | 30                       |
| ADC0804S040TS | SSOP28  | plastic shrink small outline package; 28 leads; body width 5.3 mm | SOT341-1 | 40                       |
| ADC0804S050TS | SSOP28  | plastic shrink small outline package; 28 leads; body width 5.3 mm | SOT341-1 | 50                       |

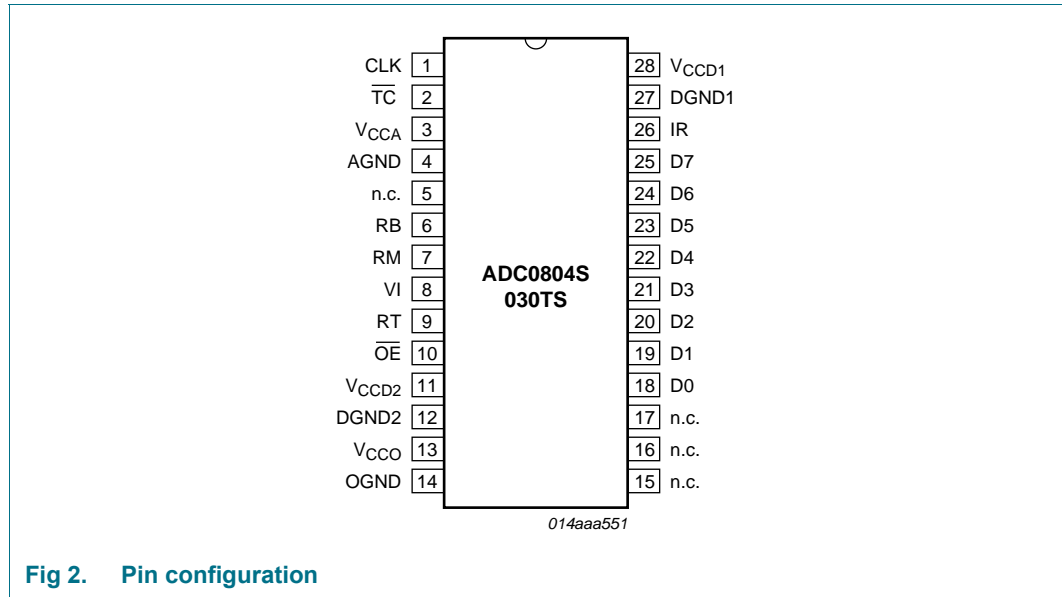
**6. Block diagram**



**Fig 1. Block diagram**

## 7. Pinning information

### 7.1 Pinning



### 7.2 Pin description

**Table 3. Pin description**

| Symbol            | Pin | Description  |
|-------------------|-----|--|
| CLK               | 1   | clock input  |
| $\overline{TC}$   | 2   | two's complement input (active LOW)                |
| V <sub>CCA</sub>  | 3   | analog supply voltage (5 V)                        |
| AGND              | 4   | analog ground                                      |
| n.c.              | 5   | not connected                                      |
| RB                | 6   | reference voltage BOTTOM input                     |
| RM                | 7   | reference voltage MIDDLE                           |
| VI                | 8   | analog input voltage                               |
| RT                | 9   | reference voltage TOP input                        |
| $\overline{OE}$   | 10  | output enable input (CMOS level input, active LOW) |
| V <sub>CCD2</sub> | 11  | digital supply voltage 2 (5 V)                     |
| DGND2             | 12  | digital ground 2                                   |
| V <sub>CCO</sub>  | 13  | supply voltage for output stages (3 V to 5 V)      |
| OGND              | 14  | output ground                                      |
| n.c.              | 15  | not connected                                      |
| n.c.              | 16  | not connected                                      |
| n.c.              | 17  | not connected                                      |
| D0                | 18  | data output; bit 0 (Least Significant Bit (LSB))   |
| D1                | 19  | data output; bit 1                                 |

**Table 3. Pin description ...continued**

| Symbol            | Pin | Description                                     |
|-------------------|-----|---|
| D2                | 20  | data output; bit 2                              |
| D3                | 21  | data output; bit 3                              |
| D4                | 22  | data output; bit 4                              |
| D5                | 23  | data output; bit 5                              |
| D6                | 24  | data output; bit 6                              |
| D7                | 25  | data output; bit 7 (Most Significant Bit (MSB)) |
| IR                | 26  | in-range data output                            |
| DGND1             | 27  | digital ground 1                                |
| V <sub>CCD1</sub> | 28  | digital supply voltage 1 (5 V)                  |

## 8. Limiting values

**Table 4. Limiting values**

In accordance with the Absolute Maximum Rating System (IEC 60134).

| Symbol                   | Parameter                        | Conditions          | Min      | Max              | Unit |
|--------------------------|----------------------------------|---------------------|----------|------------------|------|
| V <sub>CCA</sub>         | analog supply voltage            |                     | [1] -0.3 | +7.0             | V    |
| V <sub>CCD</sub>         | digital supply voltage           |                     | [1] -0.3 | +7.0             | V    |
| V <sub>CCO</sub>         | output supply voltage            |                     | [1] -0.3 | +7.0             | V    |
| $\Delta V_{CC}$          | supply voltage difference        | $V_{CCA} - V_{CCD}$ | -1.0     | +1.0             | V    |
|                          |                                  | $V_{CCD} - V_{CCO}$ | -1.0     | +4.0             | V    |
|                          |                                  | $V_{CCA} - V_{CCO}$ | -1.0     | +4.0             | V    |
| V <sub>I</sub>           | input voltage                    | referenced to AGND  | -0.3     | +7.0             | V    |
| V <sub>i(clk)(p-p)</sub> | peak-to-peak clock input voltage | referenced to DGND  | -        | V <sub>CCD</sub> | V    |
| I <sub>O</sub>           | output current                   |                     | -        | 10               | mA   |
| T <sub>stg</sub>         | storage temperature              |                     | -55      | +150             | °C   |
| T <sub>amb</sub>         | ambient temperature              |                     | -40      | +85              | °C   |
| T <sub>j</sub>           | junction temperature             |                     | -        | 150              | °C   |

[1] The supply voltages V<sub>CCA</sub>, V<sub>CCD</sub> and V<sub>CCO</sub> may have any value between -0.3 V and +7.0 V provided that the supply voltage differences  $\Delta V_{CC}$  are respected.

## 9. Thermal characteristics

**Table 5. Thermal characteristics**

| Symbol               | Parameter                                   | Conditions  | Typ | Unit |
|----------------------|---|-------------|-----|------|
| R <sub>th(j-a)</sub> | thermal resistance from junction to ambient | in free air | 110 | K/W  |

## 10. Characteristics

**Table 6. Characteristics**

$V_{CCA} = V3$  to  $V4 = 4.75$  V to  $5.25$  V;  $V_{CCD} = V11$  to  $V12$  and  $V28$  to  $V27 = 4.75$  V to  $5.25$  V;  
 $V_{CCO} = V13$  to  $V14 = 3.0$  V to  $5.25$  V; AGND and DGND shorted together;  $T_{amb} = 0$  °C to  $70$  °C; typical values measured at  
 $V_{CCA} = V_{CCD} = 5$  V and  $V_{CCO} = 3.3$  V,  $V_{i(a)(p-p)} = 2.0$  V;  $C_L = 15$  pF and  $T_{amb} = 25$  °C; unless otherwise specified.

| Symbol   | Parameter                 | Conditions                     | Min   | Typ  | Max             | Unit |
|--|---------------------------|--------------------------------|-------|------|-----------------|------|
| <b>Supplies</b>  |                           |                                |       |      |                 |      |
| $V_{CCA}$  | analog supply voltage     |                                | 4.75  | 5.0  | 5.25            | V    |
| $V_{CCD}$  | digital supply voltage    |                                | 4.75  | 5.0  | 5.25            | V    |
| $V_{CCO}$  | output supply voltage     |                                | 3.0   | 3.3  | 5.25            | V    |
| $\Delta V_{CC}$  | supply voltage difference | $V_{CCA} - V_{CCD}$            | -0.20 | -    | +0.20           | V    |
|  |                           | $V_{CCA} - V_{CCO}$            | -0.20 | -    | +2.25           | V    |
|  |                           | $V_{CCD} - V_{CCO}$            | -0.20 | -    | +2.25           | V    |
| $I_{CCA}$  | analog supply current     |                                | -     | 18   | 24              | mA   |
| $I_{CCD}$  | digital supply current    |                                | -     | 16   | 21              | mA   |
| $I_{CCO}$  | output supply current     | $f_{clk} = 40$ MHz; ramp input | -     | 1    | 2               | mA   |
| $P_{tot}$  | total power dissipation   | $f_{clk} = 40$ MHz; ramp input | -     | 175  | 247             | mW   |
| <b>Inputs</b>  |                           |                                |       |      |                 |      |
| Clock input CLK (referenced to DGND) <sup>[1]</sup>  |                           |                                |       |      |                 |      |
| $V_{IL}$   | LOW-level input voltage   |                                | 0     | -    | 0.8             | V    |
| $V_{IH}$   | HIGH-level input voltage  |                                | 2     | -    | $V_{CCD}$       | V    |
| $I_{IL}$   | LOW-level input current   | $V_{clk} = 0.8$ V              | -1    | -    | +1              | μA   |
| $I_{IH}$   | HIGH-level input current  | $V_{clk} = 2$ V                | -     | 2    | 10              | μA   |
| $Z_i$  | input impedance           | $f_{clk} = 40$ MHz             | -     | 2    | -               | kΩ   |
| $C_i$  | input capacitance         |                                | -     | 2    | -               | pF   |
| <b><math>\overline{OE}</math> and <math>\overline{TC}</math> (referenced to DGND); see Table 8</b> |                           |                                |       |      |                 |      |
| $V_{IL}$   | LOW-level input voltage   |                                | 0     | -    | 0.8             | V    |
| $V_{IH}$   | HIGH-level input voltage  |                                | 2     | -    | $V_{CCD}$       | V    |
| $I_{IL}$   | LOW-level input current   | $V_{IL} = 0.8$ V               | -1    | -    | -               | μA   |
| $I_{IH}$   | HIGH-level input current  | $V_{IH} = 2.0$ V               | -     | -    | 1               | μA   |
| <b><math>V_I</math> (analog input voltage referenced to AGND)</b>                                  |                           |                                |       |      |                 |      |
| $I_{IL}$   | LOW-level input current   | $V_I = V_{RB} = 1.3$ V         | -     | 0    | -               | μA   |
| $I_{IH}$   | HIGH-level input current  | $V_I = V_{RT} = 3.67$ V        | -     | 35   | -               | μA   |
| $Z_i$  | input impedance           | $f_i = 4.43$ MHz               | -     | 8    | -               | kΩ   |
| $C_i$  | input capacitance         |                                | -     | 5    | -               | pF   |
| <b>Reference voltages for the resistor ladder; see Table 7</b>                                     |                           |                                |       |      |                 |      |
| $V_{RB}$   | voltage on pin RB         |                                | 1.2   | 1.3  | 2.45            | V    |
| $V_{RT}$   | voltage on pin RT         |                                | 3.2   | 3.67 | $V_{CCA} - 0.8$ | V    |

**Table 6. Characteristics**

$V_{CCA} = V3$  to  $V4 = 4.75$  V to  $5.25$  V;  $V_{CCD} = V11$  to  $V12$  and  $V28$  to  $V27 = 4.75$  V to  $5.25$  V;  
 $V_{CCO} = V13$  to  $V14 = 3.0$  V to  $5.25$  V; AGND and DGND shorted together;  $T_{amb} = 0$  °C to  $70$  °C; typical values measured at  
 $V_{CCA} = V_{CCD} = 5$  V and  $V_{CCO} = 3.3$  V,  $V_{i(a)(p-p)} = 2.0$  V;  $C_L = 15$  pF and  $T_{amb} = 25$  °C; unless otherwise specified.

| Symbol          | Parameter                               | Conditions                            | Min     | Typ  | Max  | Unit          |
|-----------------|---|---------------------------------------|---------|------|------|---------------|
| $V_{ref(dif)}$  | differential reference voltage          | $V_{RT} - V_{RB}$                     | 2.0     | 2.37 | 3.0  | V             |
| $I_{ref}$       | reference current                       | $V_{RT} - V_{RB} = 2.37$ V            | -       | 9.7  | -    | mA            |
| $R_{lad}$       | ladder resistance                       |                                       | -       | 245  | -    | $\Omega$      |
| $TC_{Rlad}$     | ladder resistor temperature coefficient |                                       | -       | 456  | -    | m $\Omega$ /K |
| $V_{offset}$    | offset voltage                          | BOTTOM;<br>$V_{RT} - V_{RB} = 2.37$ V | [2] -   | 175  | -    | mV            |
|                 |   | TOP; $V_{RT} - V_{RB} = 2.37$ V       | [2] -   | 175  | -    | mV            |
| $V_{i(a)(p-p)}$ | peak-to-peak analog input voltage       |                                       | [3] 1.7 | 2.02 | 2.55 | V             |

**Digital outputs D7 to D0 and IR (referenced to OGND)**

|          |                           |   |                 |   |           |         |
|----------|---------------------------|---|-----------------|---|-----------|---------|
| $V_{OL}$ | LOW-level output voltage  | $I_{OL} = 1$ mA                                 | 0               | - | 0.5       | V       |
| $V_{OH}$ | HIGH-level output voltage | $I_{OH} = -1$ mA                                | $V_{CCO} - 0.5$ | - | $V_{CCO}$ | V       |
| $I_o$    | output current            | in 3-state mode;<br>$0.5$ V < $V_O$ < $V_{CCO}$ | -20             | - | +20       | $\mu$ A |

**Switching characteristics; Clock input CLK; see Figure 4<sup>[1]</sup>**

|                |                         |                          |     |   |   |     |
|----------------|-------------------------|--------------------------|-----|---|---|-----|
| $f_{clk(max)}$ | maximum clock frequency | ADC0804S030TS            | 30  | - | - | MHz |
|                |                         | ADC0804S040TS            | 40  | - | - | MHz |
|                |                         | ADC0804S050TS            | 50  | - | - | MHz |
| $t_{w(ck)H}$   | HIGH clock pulse width  | full effective bandwidth | 8.5 | - | - | ns  |
| $t_{w(ck)L}$   | LOW clock pulse width   | full effective bandwidth | 5.5 | - | - | ns  |

**Analog signal processing****Linearity**

|              |                            |   |       |            |            |     |
|--------------|----------------------------|---|-------|------------|------------|-----|
| INL          | integral non-linearity     | $f_{clk} = 40$ MHz; ramp input                                | -     | $\pm 0.2$  | $\pm 0.5$  | LSB |
| DNL          | differential non-linearity | $f_{clk} = 40$ MHz; ramp input                                | -     | $\pm 0.12$ | $\pm 0.22$ | LSB |
| $E_{offset}$ | offset error               | middle code; $V_{RB} = 1.3$ V;<br>$V_{RT} = 3.67$ V           | -     | $\pm 0.25$ | -          | LSB |
| $E_G$        | gain error                 | from device to device;<br>$V_{RB} = 1.3$ V; $V_{RT} = 3.67$ V | [4] - | $\pm 0.1$  | -          | %   |

**Bandwidth ( $f_{clk} = 40$  MHz)**

|             |                           |  |       |     |     |     |
|-------------|---------------------------|--|-------|-----|-----|-----|
| B           | bandwidth                 | full-scale sine wave   | [5] - | 15  | -   | MHz |
|             |                           | 75 % full-scale sine wave                                    | -     | 20  | -   | MHz |
|             |                           | small signal at mid-scale;<br>$V_I = \pm 10$ LSB at code 512 | -     | 350 | -   | MHz |
| $t_{s(LH)}$ | LOW to HIGH settling time | full-scale square wave; see Figure 6                         | [6] - | 1.5 | 3.0 | ns  |
| $t_{s(HL)}$ | HIGH to LOW settling time |  | -     | 1.5 | 3.0 | ns  |



**Table 6. Characteristics**

$V_{CCA} = V3$  to  $V4 = 4.75$  V to 5.25 V;  $V_{CCD} = V11$  to  $V12$  and  $V28$  to  $V27 = 4.75$  V to 5.25 V;  
 $V_{CCO} = V13$  to  $V14 = 3.0$  V to 5.25 V; AGND and DGND shorted together;  $T_{amb} = 0$  °C to 70 °C; typical values measured at  
 $V_{CCA} = V_{CCD} = 5$  V and  $V_{CCO} = 3.3$  V,  $V_{i(a)(p-p)} = 2.0$  V;  $C_L = 15$  pF and  $T_{amb} = 25$  °C; unless otherwise specified.

| Symbol   | Parameter                   | Conditions  | Min | Typ        | Max | Unit              |
|--|-----------------------------|---|-----|------------|-----|-------------------|
| <b>Harmonics (<math>f_{clk} = 40</math> MHz); see Figure 7 and 8</b> |                             |   |     |            |     |                   |
| $\alpha_{1H}$  | first harmonic level        | $f_i = 4.43$ MHz  | -   | -          | 0   | dB                |
| $\alpha_{2H}$  | second harmonic level       | $f_i = 4.43$ MHz  | -   | -75        | -65 | dB                |
| $\alpha_{3H}$  | third harmonic level        | $f_i = 4.43$ MHz  | -   | -72        | -65 | dB                |
| THD  | total harmonic distortion   | $f_i = 4.43$ MHz  | -   | -65        | -   | dB                |
| <b>Signal-to-noise ratio; see Figure 7 and 8<sup>[7]</sup></b>       |                             |   |     |            |     |                   |
| S/N  | signal-to-noise ratio       | full scale;<br>without harmonics;<br>$f_{clk} = 40$ MHz; $f_i = 4.43$ MHz | 46  | 49         | -   | dB                |
| <b>Effective number of bits<sup>[7]</sup></b>                        |                             |   |     |            |     |                   |
| ENOB   | effective number of bits    | ADC0804S030TS ( $f_{clk} = 30$ MHz)                                       |     |            |     |                   |
|  |                             | $f_i = 4.43$ MHz  | -   | 7.8        | -   | bits              |
|  |                             | $f_i = 7.5$ MHz   | -   | 7.8        | -   | bits              |
|  |                             | ADC0804S040TS ( $f_{clk} = 40$ MHz)                                       |     |            |     |                   |
|  |                             | $f_i = 4.43$ MHz  | -   | 7.8        | -   | bits              |
|  |                             | $f_i = 7.5$ MHz   | -   | 7.8        | -   | bits              |
|  |                             | $f_i = 10$ MHz  | -   | 7.8        | -   | bits              |
|  |                             | $f_i = 15$ MHz  | -   | 7.4        | -   | bits              |
|  |                             | ADC0804S050TS ( $f_{clk} = 50$ MHz)                                       |     |            |     |                   |
|  |                             | $f_i = 4.43$ MHz  | -   | 7.8        | -   | bits              |
|  |                             | $f_i = 7.5$ MHz   | -   | 7.8        | -   | bits              |
|  |                             | $f_i = 10$ MHz  | -   | 7.8        | -   | bits              |
| $f_i = 15$ MHz   | -                           | 7.3   | -   | bits       |     |                   |
| <b>Two-tone intermodulation<sup>[8]</sup></b>                        |                             |   |     |            |     |                   |
| $\alpha_{IM}$  | intermodulation suppression | $f_{clk} = 40$ MHz  | -   | -69        | -   | dB                |
| <b>Bit error rate</b>  |                             |   |     |            |     |                   |
| BER  | bit error rate              | $f_{clk} = 40$ MHz; $f_i = 4.43$ MHz;<br>$V_i = \pm 16$ LSB at code 512   | -   | $10^{-13}$ | -   | times/<br>samples |
| <b>Differential gain<sup>[9]</sup></b>                               |                             |   |     |            |     |                   |
| $G_{dif}$  | differential gain           | $f_{clk} = 40$ MHz;<br>PAL modulated ramp                                 | -   | 0.8        | -   | %                 |

**Table 6. Characteristics**

$V_{CCA} = V3$  to  $V4 = 4.75$  V to  $5.25$  V;  $V_{CCD} = V11$  to  $V12$  and  $V28$  to  $V27 = 4.75$  V to  $5.25$  V;  
 $V_{CCO} = V13$  to  $V14 = 3.0$  V to  $5.25$  V; AGND and DGND shorted together;  $T_{amb} = 0$  °C to  $70$  °C; typical values measured at  
 $V_{CCA} = V_{CCD} = 5$  V and  $V_{CCO} = 3.3$  V,  $V_{i(a)(p-p)} = 2.0$  V;  $C_L = 15$  pF and  $T_{amb} = 25$  °C; unless otherwise specified.

| Symbol   | Parameter                       | Conditions                                | Min | Typ | Max | Unit |
|--|---------------------------------|---|-----|-----|-----|------|
| <b>Differential phase<sup>[9]</sup></b>  |                                 |   |     |     |     |      |
| $\phi_{dif}$   | differential phase              | $f_{clk} = 40$ MHz;<br>PAL modulated ramp | -   | 0.4 | -   | deg  |
| <b>Timing (<math>f_{clk} = 40</math> MHz; <math>C_i = 15</math> pF); see Figure 4<sup>[10]</sup></b> |                                 |   |     |     |     |      |
| $t_{d(s)}$   | sampling delay time             |   | -   | 3   | -   | ns   |
| $t_{h(o)}$   | output hold time                |   | 4   | -   | -   | ns   |
| $t_{d(o)}$   | output delay time               | $V_{CCO} = 4.75$ V                        | -   | 10  | 13  | ns   |
|  |                                 | $V_{CCO} = 3.15$ V                        | -   | 12  | 15  | ns   |
| $C_L$  | load capacitance                |   | -   | -   | 15  | pF   |
| <b>3-state output delay times; see Figure 5</b>  |                                 |   |     |     |     |      |
| $t_{dZH}$  | float to active HIGH delay time |   | -   | 5.5 | 8.5 | ns   |
| $t_{dZL}$  | float to active LOW delay time  |   | -   | 12  | 15  | ns   |
| $t_{dHZ}$  | active HIGH to float delay time |   | -   | 19  | 24  | ns   |
| $t_{dLZ}$  | active LOW to float delay time  |   | -   | 12  | 15  | ns   |

[1] In addition to a good layout of the digital and analog ground, it is recommended that the rise and fall times of the clock must not be less than 0.5 ns.

[2] Analog input voltages producing code 0 up to and including code 255:

- a)  $V_{offset}$  BOTTOM is the difference between the analog input which produces data equal to 00 and the reference voltage on pin RB ( $V_{RB}$ ) at  $T_{amb} = 25$  °C.
- b)  $V_{offset}$  TOP is the difference between the reference voltage on pin RT ( $V_{RT}$ ) and the analog input which produces data outputs equal to code 255 at  $T_{amb} = 25$  °C.

[3] To ensure the optimum linearity performance of such a converter architecture the lower and upper extremities of the converter reference resistor ladder are connected to pins RB and RT via offset resistors  $R_{OB}$  and  $R_{OT}$  as shown in Figure 3.

- a) The current flowing into the resistor ladder is  $I = \frac{V_{RT} - V_{RB}}{R_{OB} + R_L + R_{OT}}$  and the full-scale input range at the converter, to cover code 0

to 255 is  $V_I = R_L \times I_L = \frac{R_L}{R_{OB} + R_L + R_{OT}} \times (V_{RT} + V_{RB}) = 0.852 \times (V_{RT} - V_{RB})$

- b) Since  $R_L$ ,  $R_{OB}$  and  $R_{OT}$  have similar behavior with respect to process and temperature variation, the ratio  $\frac{R_L}{R_{OB} + R_L + R_{OT}}$

will be kept reasonably constant from device to device. Consequently, the variation of the output codes at a given input voltage depends mainly on the difference  $V_{RT} - V_{RB}$  and its variation with temperature and supply voltage. When several ADCs are connected in parallel and fed with the same reference source, the matching between each of them is optimized.

[4]  $E_G = \frac{(V_{1023} - V_0) - V_{i(p-p)}}{V_{i(p-p)}} \times 100$

[5] The analog bandwidth is defined as the maximum input sine wave frequency which can be applied to the device. No glitches greater than 0.5 LSB, neither any significant attenuation are observed in the reconstructed signal.

[6] The analog input settling time is the minimum time required for the input signal to be stabilized after a sharp full-scale input (square wave signal) in order to sample the signal and obtain correct output data.

- [7] Effective bits are obtained via a Fast Fourier transform (FFT) treatment taking 8000 acquisition points per equivalent fundamental period. The calculation takes into account all harmonics and noise up to half the clock frequency (Nyquist frequency). Conversion to Signal-to-Noise-And-Distortion (SINAD) ratio:  $SINAD = ENOB \times 6.02 + 1.76 \text{ dB}$ .
- [8] Intermodulation measured relative to either tone with analog input frequencies of 4.43 MHz and 4.53 MHz. The two input signals have the same amplitude and the total amplitude of both signals provides full-scale to the converter.
- [9] Measurement carried out using video analyzer VM700A, where the video analog signal is reconstructed through a digital-to-analog converter.
- [10] Output data acquisition: the output data is available after the maximum delay time of  $t_{d(0)}$ . For 50 MHz version IDT recommend the lowest possible output load.

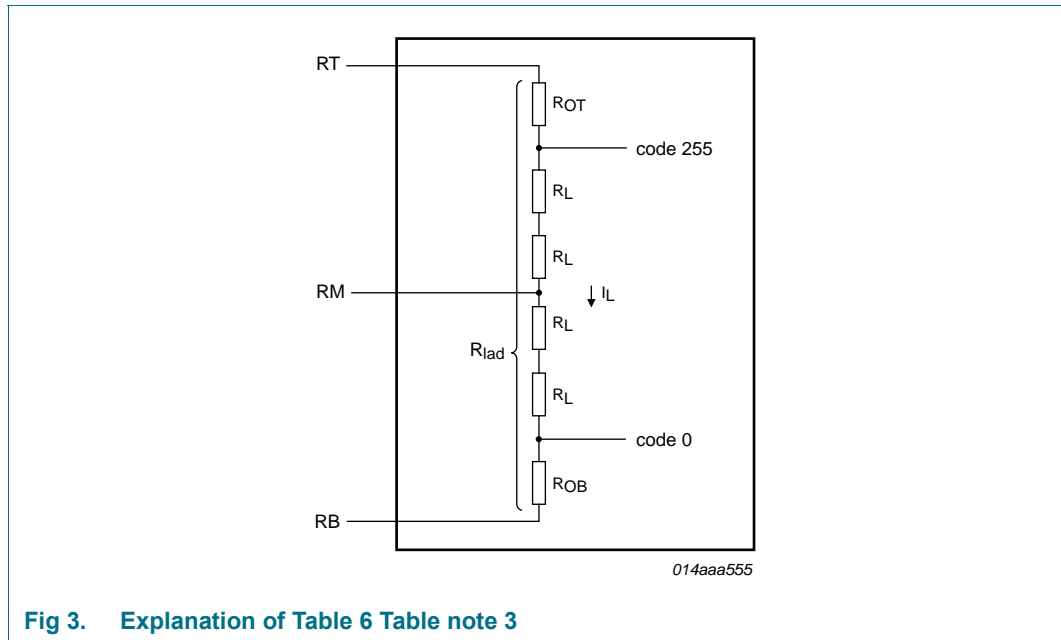


Fig 3. Explanation of Table 6 Table note 3

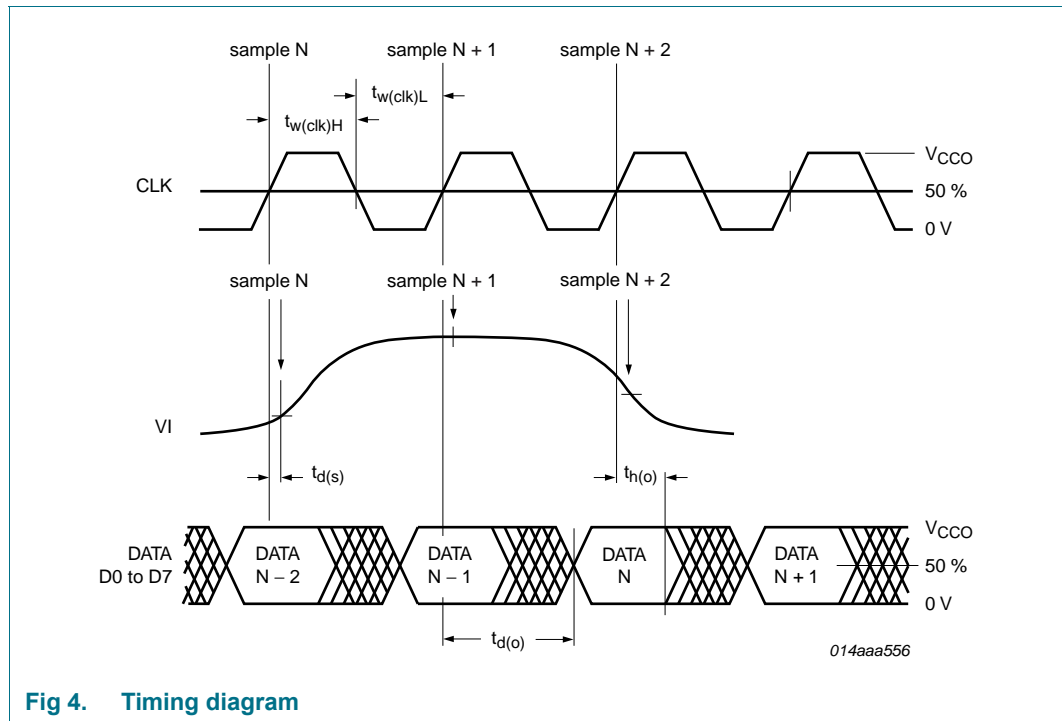
## 11. Additional information relating to Table 6

Table 7. Output coding and input voltage (typical values; referenced to AGND,  $V_{RB} = 1.3 \text{ V}$ ,  $V_{RT} = 3.67 \text{ V}$ )

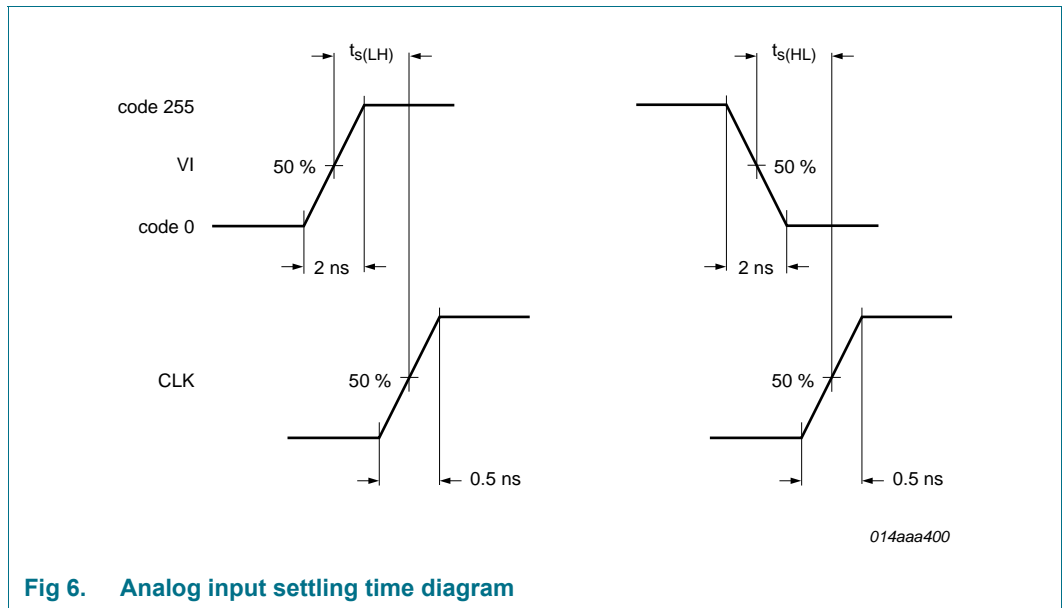
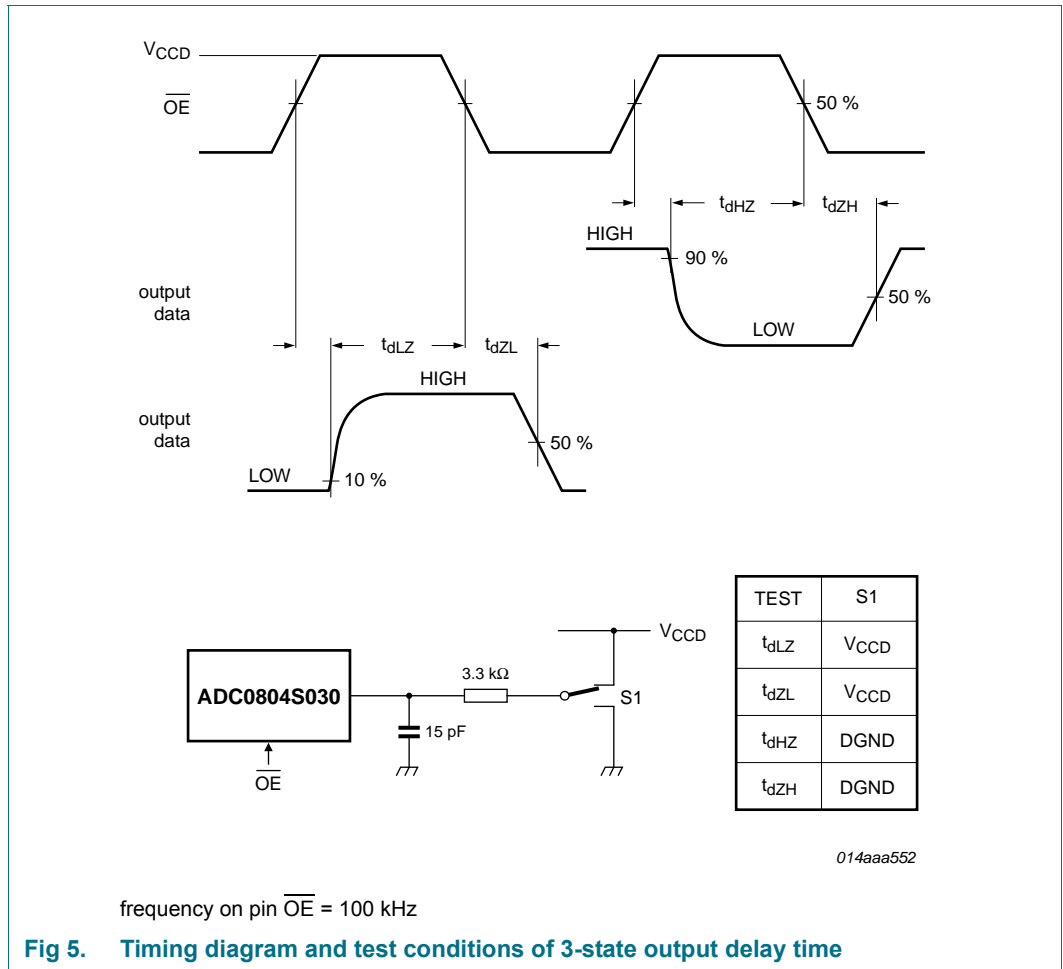
| Code      | $V_{i(a)(p-p)}$<br>(V) | IR | Binary outputs D7 to D0 | Two's complement<br>outputs D7 to D0 |
|-----------|------------------------|----|-------------------------|--------------------------------------|
| Underflow | < 1.475                | 0  | 0000 0000               | 10 0000 00                           |
| 0         | 1.475                  | 1  | 0000 0000               | 10 0000 00                           |
| 1         | -                      | 1  | 0000 0001               | 10 0000 01                           |
| ↓         | -                      | ↓  | ↓                       | ↓                                    |
| 254       | -                      | 1  | 1111 1110               | 01 1111 10                           |
| 255       | 3.495                  | 1  | 1111 1111               | 01 1111 11                           |
| Overflow  | > 3.495                | 0  | 1111 1111               | 01 1111 11                           |

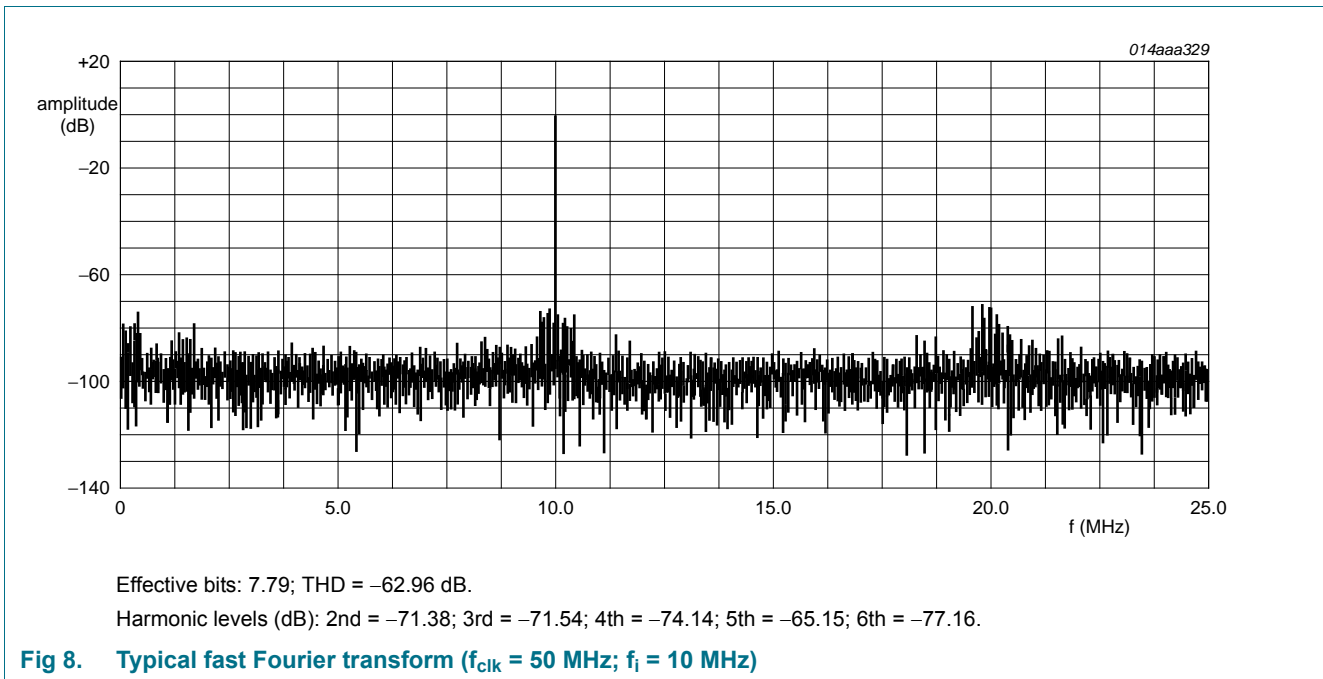
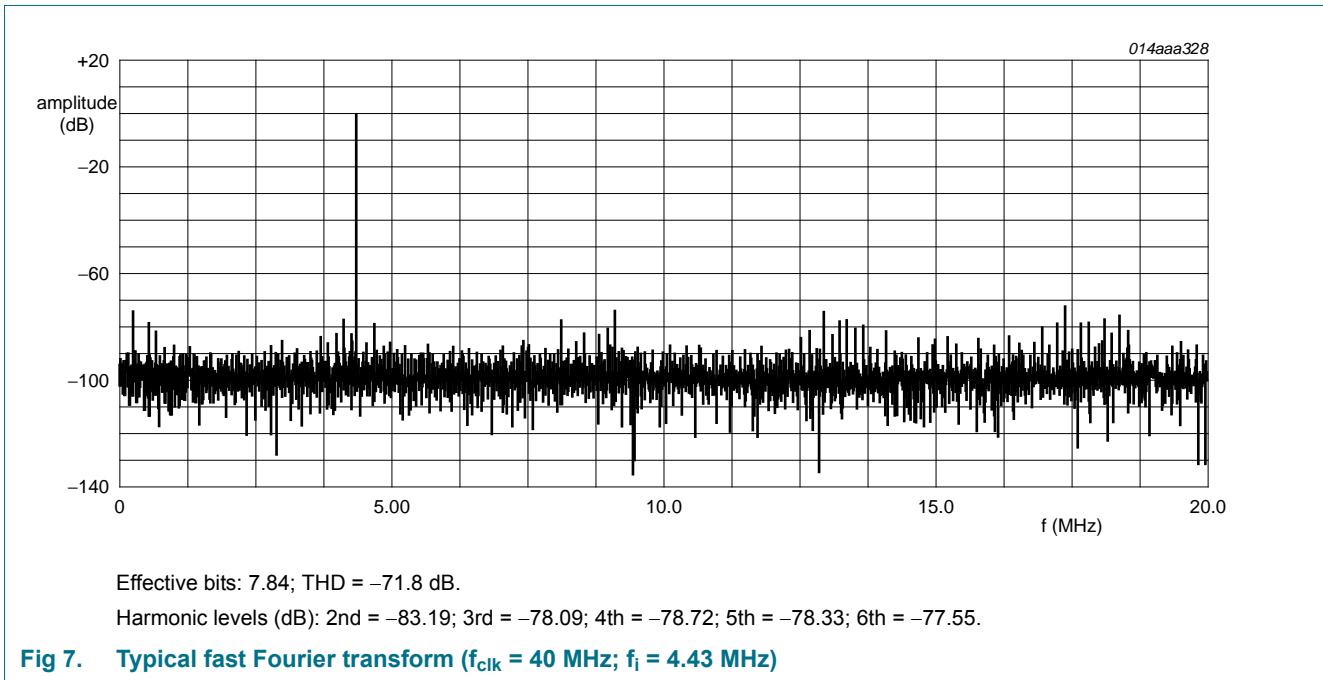
**Table 8. Mode selection**

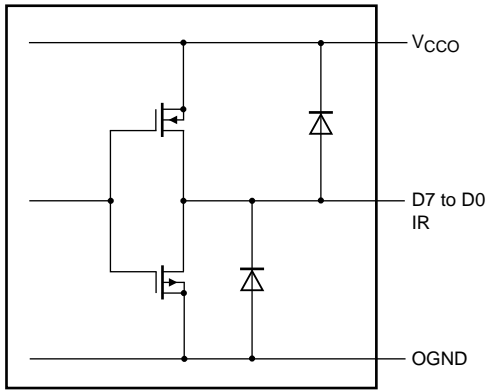
| TC | OE | D7 to D0                 | IR             |
|----|----|--------------------------|----------------|
| X  | 1  | high impedance           | high impedance |
| 0  | 0  | active; two's complement | active         |
| 1  | 0  | active; binary           | active         |



**Fig 4. Timing diagram**

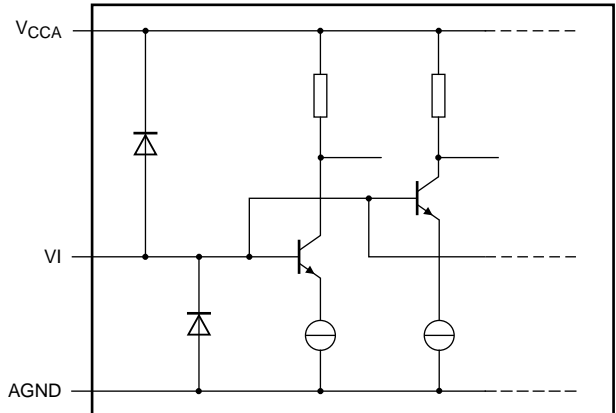






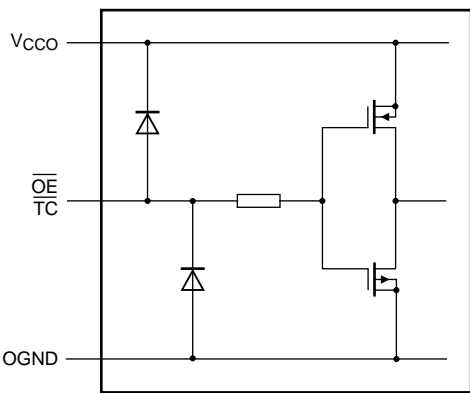
014aaa557

**Fig 9. CMOS data and in-range outputs**



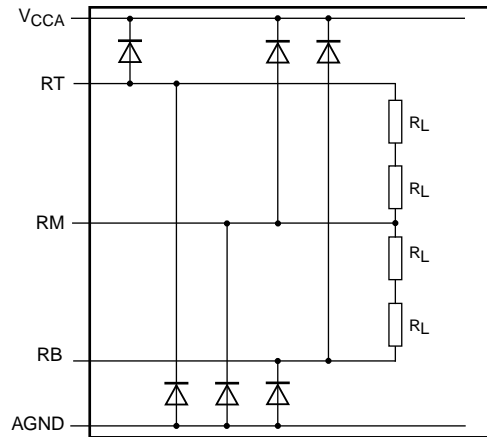
014aaa526

**Fig 10. Analog inputs**



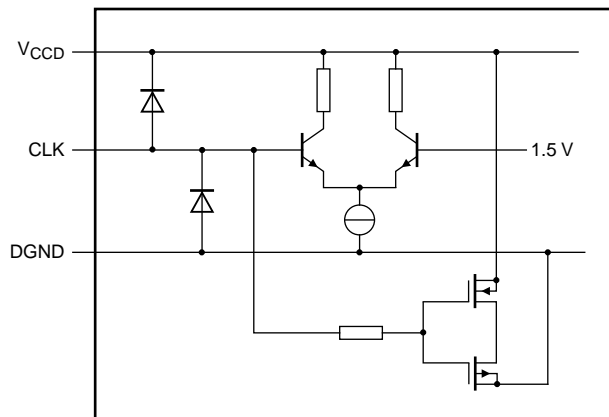
014aaa553

**Fig 11.  $\overline{OE}$  and  $\overline{TC}$  input**



014aaa331

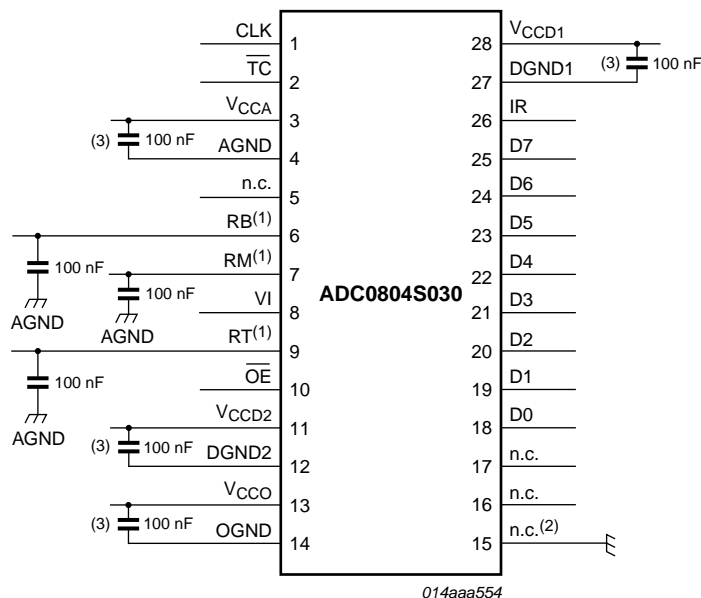
**Fig 12. RB, RM and RT**



014aaa399

**Fig 13. CLK input**

## 12. Application information



The analog and digital supplies should be separated and well decoupled

A user manual is available that describes the demonstration board that uses the version ADC0804S030/040/050/ family with an application environment.

- (1) RB, RM and RT are decoupled to AGND.
- (2) Pin 15 may be connected to DGND in order to prevent noise influence.
- (3) Decoupling capacitor for supplies; must be placed close to the device.

**Fig 14. Application diagram**

### 12.1 Alternative parts

The following alternative parts are also available:

**Table 9. Alternative parts**

| Type number | Description        |     | Sampling frequency                        |
|-------------|--------------------|-----|---|
| ADC1004S030 | Single 10 bits ADC | [1] | 30 MHz                                    |
| ADC1004S040 | Single 10 bits ADC | [1] | 40 MHz                                    |
| ADC1004S050 | Single 10 bits ADC | [1] | 50 MHz                                    |
| ADC1003S030 | Single 10 bits ADC | [1] | 30 MHz, with internal reference regulator |
| ADC1003S040 | Single 10 bits ADC | [1] | 40 MHz, with internal reference regulator |
| ADC1003S050 | Single 10 bits ADC | [1] | 50 MHz, with internal reference regulator |
| ADC1005S060 | Single 10 bits ADC | [1] | 60 MHz                                    |

[1] Pin to pin compatible



13. Package outline

SSOP28: plastic shrink small outline package; 28 leads; body width 5.3 mm

SOT341-1

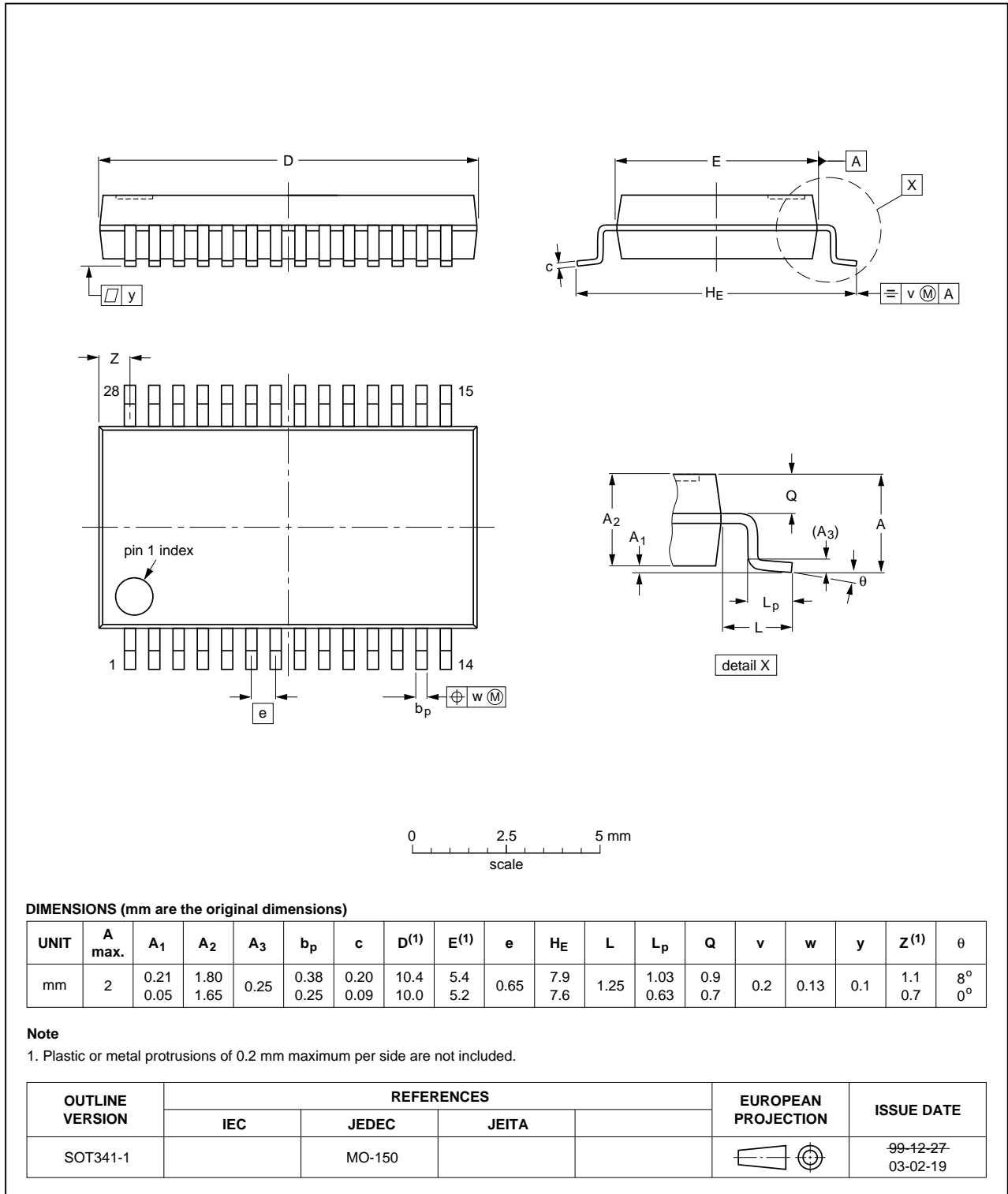


Fig 15. SOT341-1 (SSOP28)

## 14. Revision history

Table 10. Revision history

| Document ID           | Release date | Data sheet status   | Change notice | Supersedes            |
|-----------------------|--------------|---|---------------|-----------------------|
| ADC0804S030_040_050_3 | 20120702     | Product data sheet  | -             | ADC0804S030_040_050_2 |
| ADC0804S030_040_050_2 | 20080814     | Product data sheet  | -             | ADC0804S030_040_050_1 |
| Modifications:        |              | <ul style="list-style-type: none"><li>• Paragraph added to Section 1.</li><li>• Corrections to descriptions of rows RB and RM in Table 3.</li><li>• Corrections to Table 6.</li><li>• Corrections to Figure 9, 10 and 12.</li></ul> |               |                       |
| ADC0804S030_040_050_1 | 20080616     | Product data sheet  | -             | -                     |

## 15. Contact information

For more information or sales office addresses, please visit: <http://www.idt.com>

## 16. Contents

---

|          |                                   |          |             |  |           |
|----------|-----------------------------------|----------|-------------|--|-----------|
| <b>1</b> | <b>General description</b> .....  | <b>1</b> | <b>9</b>    | <b>Thermal characteristics</b> .....                 | <b>5</b>  |
| <b>2</b> | <b>Features</b> .....             | <b>1</b> | <b>10</b>   | <b>Characteristics</b> .....                         | <b>6</b>  |
| <b>3</b> | <b>Applications</b> .....         | <b>1</b> | <b>11</b>   | <b>Additional information relating to Table 6</b> .. | <b>10</b> |
| <b>4</b> | <b>Quick reference data</b> ..... | <b>2</b> | <b>12</b>   | <b>Application information</b> .....                 | <b>15</b> |
| <b>5</b> | <b>Ordering information</b> ..... | <b>2</b> | <b>12.1</b> | Alternative parts .....                              | <b>15</b> |
| <b>6</b> | <b>Block diagram</b> .....        | <b>3</b> | <b>13</b>   | <b>Package outline</b> .....                         | <b>16</b> |
| <b>7</b> | <b>Pinning information</b> .....  | <b>4</b> | <b>14</b>   | <b>Revision history</b> .....                        | <b>17</b> |
| 7.1      | Pinning .....                     | 4        | <b>15</b>   | <b>Contact information</b> .....                     | <b>17</b> |
| 7.2      | Pin description .....             | 4        | <b>16</b>   | <b>Contents</b> .....                                | <b>18</b> |
| <b>8</b> | <b>Limiting values</b> .....      | <b>5</b> |             |  |           |