

阅读申明

- 1.本站收集的数据手册和产品资料都来自互联网，版权归原作者所有。如读者和版权方有任何异议请及时告之，我们将妥善解决。
- 2.本站提供的中文数据手册是英文数据手册的中文翻译，其目的是协助用户阅读，该译文无法自动跟随原稿更新，同时也可能存在翻译上的不当。建议读者以英文原稿为参考以便获得更精准的信息。
- 3.本站提供的产品资料，来自厂商的技术支持或者使用者的心得体会等，其内容可能存在描述上的差异，建议读者做出适当判断。
- 4.如需与我们联系，请发邮件到marketing@iczoom.com，主题请标有“数据手册”字样。

Read Statement

1. The datasheets and other product information on the site are all from network reference or other public materials, and the copyright belongs to the original author and original published source. If readers and copyright owners have any objections, please contact us and we will deal with it in a timely manner.
2. The Chinese datasheets provided on the website is a Chinese translation of the English datasheets. Its purpose is for reader's learning exchange only and do not involve commercial purposes. The translation cannot be automatically updated with the original manuscript, and there may also be improper translations. Readers are advised to use the English manuscript as a reference for more accurate information.
3. All product information provided on the website refer to solutions from manufacturers' technical support or users the contents may have differences in description, and readers are advised to take the original article as the standard.
4. If you have any questions, please contact us at marketing@iczoom.com and mark the subject with "Datasheets" .

8bit 12-channel D/A converter

BU2500FV / BU2501FV

BU2500FV / BU2501FV is a 12ch high-performance 8bit D/A converter which adopts the R-2R system. The BU2500FV utilizes a 5V supply voltage and the BU2501FV a 3V. Each channel output incorporates a Rail to Rail output type buffer amplifier. Three wire serial data input and cascade connection is possible. Small package (0.65mm pitch and 20pin) is adopted.

●Applications

CD-R, CD-RW, DVC, Digital camera and industrial equipment

●Features

- 1) High-performance 8bit 12-channel D/A converter adopting the R-2R system.
- 2) Output of each channel incorporates a Rail to Rail output type buffer amplifier.
- 3) Digital input compatible with TTL levels.
- 4) 12bit 3wire serial data input, cascade connection is possible.
- 5) Buffer amplifier of each channel is highly-stable. Prevents oscillation even with capacitance loads.

●Absolute maximum ratings (Ta=25°C)

Parameter	Symbol	Limits	Unit
Supply voltage	V _{CC}	-0.3~+6.0	V
Upper reference voltage of D/A converter	V _{DD}	-0.3~+6.0	V
Input voltage	V _{IN}	-0.3~+6.0	V
Output voltage	V _{OUT}	-0.3~+6.0	V
Power dissipation	P _d	400*	mW
Operating temperature	T _{opr}	-25~+85	°C
Storage temperature	T _{stg}	-55~+125	°C

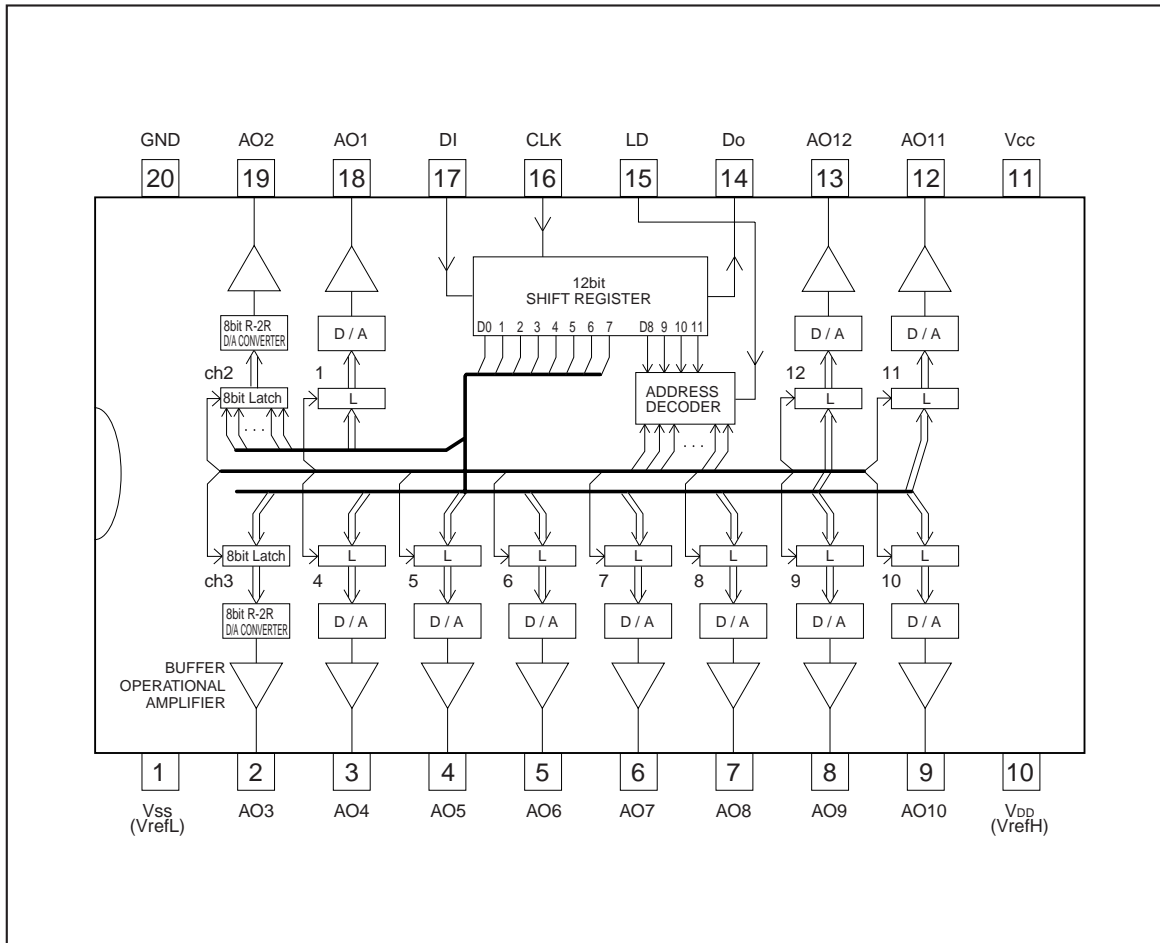
* Reduced by 4mW for each increase in Ta of 1°C over 25°C.

●Recommended operating conditions (Ta=25°C)

Parameter	Symbol	Limits	Unit
Supply voltage (BU2500FV)	V _{CC}	4.5~5.5	V
Supply voltage (BU2501FV)	V _{CC}	2.7~3.6	V

Optical disc ICs

●Block diagram

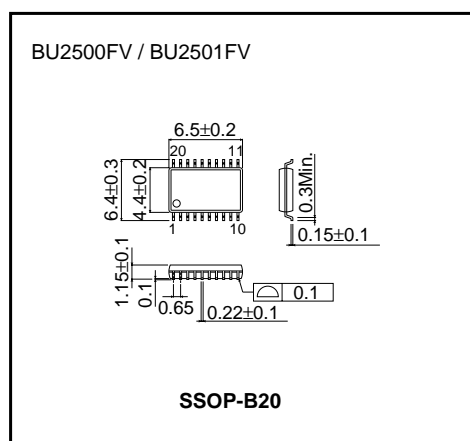


Optical disc ICs

●Pin descriptions

Pin No.	Pin name	Analog / Digital	I / O	Function	Circuit
1	Vss	Analog	–	D/A converter lower reference voltage input terminal	5
2	Ao3	Analog	O	8bit D/A converter output terminal (CH3)	3
3	Ao4	Analog	O	8bit D/A converter output terminal (CH4)	3
4	Ao5	Analog	O	8bit D/A converter output terminal (CH5)	3
5	Ao6	Analog	O	8bit D/A converter output terminal (CH6)	3
6	Ao7	Analog	O	8bit D/A converter output terminal (CH7)	3
7	Ao8	Analog	O	8bit D/A converter output terminal (CH8)	3
8	Ao9	Analog	O	8bit D/A converter output terminal (CH9)	3
9	Ao10	Analog	O	8bit D/A converter output terminal (CH10)	3
10	VDD	Analog	–	D/A converter upper reference voltage input terminal	4
11	Vcc	–	–	Power supply terminal	–
12	Ao11	Analog	O	8bit D/A converter output terminal (CH11)	3
13	Ao12	Analog	O	8bit D/A converter output terminal (CH12)	3
14	Do	Digital	O	Terminal to output MSB data of 12-bit shift register	2
15	LD	Digital	I	When H-level signal is input to this terminal, the value stored in 12-bit shift register is loaded in decoder and D/A converter output register.	1
16	CLK	Digital	I	Shift clock input terminal. Input signal at DI pin is input to 12-bit shift register at rise of shift clock pulse	1
17	DI	Digital	I	Serial data input terminal to input 12-bit long serial data	1
18	Ao1	Analog	O	8bit D/A converter output terminal (CH1)	3
19	Ao2	Analog	O	8bit D/A converter output terminal (CH2)	3
20	GND	–	–	GND terminal	–

●External dimensions (Unit : mm)



Notes

- No technical content pages of this document may be reproduced in any form or transmitted by any means without prior permission of ROHM CO.,LTD.
- The contents described herein are subject to change without notice. The specifications for the product described in this document are for reference only. Upon actual use, therefore, please request that specifications to be separately delivered.
- Application circuit diagrams and circuit constants contained herein are shown as examples of standard use and operation. Please pay careful attention to the peripheral conditions when designing circuits and deciding upon circuit constants in the set.
- Any data, including, but not limited to application circuit diagrams information, described herein are intended only as illustrations of such devices and not as the specifications for such devices. ROHM CO.,LTD. disclaims any warranty that any use of such devices shall be free from infringement of any third party's intellectual property rights or other proprietary rights, and further, assumes no liability of whatsoever nature in the event of any such infringement, or arising from or connected with or related to the use of such devices.
- Upon the sale of any such devices, other than for buyer's right to use such devices itself, resell or otherwise dispose of the same, no express or implied right or license to practice or commercially exploit any intellectual property rights or other proprietary rights owned or controlled by
- ROHM CO., LTD. is granted to any such buyer.
- Products listed in this document use silicon as a basic material.
Products listed in this document are no antiradiation design.

The products listed in this document are designed to be used with ordinary electronic equipment or devices (such as audio visual equipment, office-automation equipment, communications devices, electrical appliances and electronic toys).

Should you intend to use these products with equipment or devices which require an extremely high level of reliability and the malfunction of which would directly endanger human life (such as medical instruments, transportation equipment, aerospace machinery, nuclear-reactor controllers, fuel controllers and other safety devices), please be sure to consult with our sales representative in advance.

About Export Control Order in Japan

Products described herein are the objects of controlled goods in Annex 1 (Item 16) of Export Trade Control Order in Japan.

In case of export from Japan, please confirm if it applies to "objective" criteria or an "informed" (by MITI clause) on the basis of "catch all controls for Non-Proliferation of Weapons of Mass Destruction.