

阅读申明

- 1.本站收集的数据手册和产品资料都来自互联网，版权归原作者所有。如读者和版权方有任何异议请及时告之，我们将妥善解决。
- 2.本站提供的中文数据手册是英文数据手册的中文翻译，其目的是协助用户阅读，该译文无法自动跟随原稿更新，同时也可能存在翻译上的不当。建议读者以英文原稿为参考以便获得更精准的信息。
- 3.本站提供的产品资料，来自厂商的技术支持或者使用者的心得体会等，其内容可能存在描述上的差异，建议读者做出适当判断。
- 4.如需与我们联系，请发邮件到marketing@iczoom.com，主题请标有“数据手册”字样。

Read Statement

1. The datasheets and other product information on the site are all from network reference or other public materials, and the copyright belongs to the original author and original published source. If readers and copyright owners have any objections, please contact us and we will deal with it in a timely manner.
2. The Chinese datasheets provided on the website is a Chinese translation of the English datasheets. Its purpose is for reader's learning exchange only and do not involve commercial purposes. The translation cannot be automatically updated with the original manuscript, and there may also be improper translations. Readers are advised to use the English manuscript as a reference for more accurate information.
3. All product information provided on the website refer to solutions from manufacturers' technical support or users the contents may have differences in description, and readers are advised to take the original article as the standard.
4. If you have any questions, please contact us at marketing@iczoom.com and mark the subject with "Datasheets" .



Section I. Cyclone FPGA Family Data Sheet

This section provides designers with the data sheet specifications for Cyclone® devices. The chapters contain feature definitions of the internal architecture, configuration and JTAG boundary-scan testing information, DC operating conditions, AC timing parameters, a reference to power consumption, and ordering information for Cyclone devices.

This section contains the following chapters:

- [Chapter 1. Introduction](#)
- [Chapter 2. Cyclone Architecture](#)
- [Chapter 3. Configuration and Testing](#)
- [Chapter 4. DC and Switching Characteristics](#)
- [Chapter 5. Reference and Ordering Information](#)

Revision History

Refer to each chapter for its own specific revision history. For information on when each chapter was updated, refer to the Chapter Revision Dates section, which appears in the complete handbook.

Introduction

The Cyclone® field programmable gate array family is based on a 1.5-V, 0.13-µm, all-layer copper SRAM process, with densities up to 20,060 logic elements (LEs) and up to 288 Kbits of RAM. With features like phase-locked loops (PLLs) for clocking and a dedicated double data rate (DDR) interface to meet DDR SDRAM and fast cycle RAM (FCRAM) memory requirements, Cyclone devices are a cost-effective solution for data-path applications. Cyclone devices support various I/O standards, including LVDS at data rates up to 640 megabits per second (Mbps), and 66- and 33-MHz, 64- and 32-bit peripheral component interconnect (PCI), for interfacing with and supporting ASSP and ASIC devices. Altera also offers new low-cost serial configuration devices to configure Cyclone devices.

Features

The Cyclone device family offers the following features:

- 2,910 to 20,060 LEs, see [Table 1-1](#)
- Up to 294,912 RAM bits (36,864 bytes)
- Supports configuration through low-cost serial configuration device
- Support for LVTTTL, LVCMOS, SSTL-2, and SSTL-3 I/O standards
- Support for 66- and 33-MHz, 64- and 32-bit PCI standard
- High-speed (640 Mbps) LVDS I/O support
- Low-speed (311 Mbps) LVDS I/O support
- 311-Mbps RSDS I/O support
- Up to two PLLs per device provide clock multiplication and phase shifting
- Up to eight global clock lines with six clock resources available per logic array block (LAB) row
- Support for external memory, including DDR SDRAM (133 MHz), FCRAM, and single data rate (SDR) SDRAM
- Support for multiple intellectual property (IP) cores, including Altera® MegaCore® functions and Altera Megafunctions Partners Program (AMPPSM) megafunctions.

Table 1-1. Cyclone Device Features (Part 1 of 2)

| Feature | EP1C3 | EP1C4 | EP1C6 | EP1C12 | EP1C20 |
|--------------------------------|-------|-------|-------|--------|--------|
| LEs | 2,910 | 4,000 | 5,980 | 12,060 | 20,060 |
| M4K RAM blocks (128 × 36 bits) | 13 | 17 | 20 | 52 | 64 |

Table 1–1. Cyclone Device Features (Part 2 of 2)

| Feature | EP1C3 | EP1C4 | EP1C6 | EP1C12 | EP1C20 |
|---------------------------|--------|--------|--------|---------|---------|
| Total RAM bits | 59,904 | 78,336 | 92,160 | 239,616 | 294,912 |
| PLLs | 1 | 2 | 2 | 2 | 2 |
| Maximum user I/O pins (1) | 104 | 301 | 185 | 249 | 301 |

Note to [Table 1–1](#):

- (1) This parameter includes global clock pins.

Cyclone devices are available in quad flat pack (QFP) and space-saving FineLine® BGA packages (see [Tables 1–2 through 1–3](#)).

Table 1–2. Cyclone Package Options and I/O Pin Counts

| Device | 100-Pin TQFP (1) | 144-Pin TQFP (1), (2) | 240-Pin PQFP (1) | 256-Pin FineLine BGA | 324-Pin FineLine BGA | 400-Pin FineLine BGA |
|--------|---------------------|--------------------------|---------------------|-------------------------|-------------------------|-------------------------|
| EP1C3 | 65 | 104 | — | — | — | — |
| EP1C4 | — | — | — | — | 249 | 301 |
| EP1C6 | — | 98 | 185 | 185 | — | — |
| EP1C12 | — | — | 173 | 185 | 249 | — |
| EP1C20 | — | — | — | — | 233 | 301 |

Notes to [Table 1–2](#):

- (1) TQFP: thin quad flat pack.
PQFP: plastic quad flat pack.
- (2) Cyclone devices support vertical migration within the same package (i.e., designers can migrate between the EP1C3 device in the 144-pin TQFP package and the EP1C6 device in the same package).

Vertical migration means you can migrate a design from one device to another that has the same dedicated pins, JTAG pins, and power pins, and are subsets or supersets for a given package across device densities. The largest density in any package has the highest number of power pins; you must use the layout for the largest planned density in a package to provide the necessary power pins for migration.

For I/O pin migration across densities, cross-reference the available I/O pins using the device pin-outs for all planned densities of a given package type to identify which I/O pins can be migrated. The Quartus® II software can automatically cross-reference and place all pins for you when given a device migration list. If one device has power or ground pins, but these same pins are user I/O on a different device that is in the migration path, the Quartus II software ensures the pins are not used as user I/O in the Quartus II software. Ensure that these pins are connected

to the appropriate plane on the board. The Quartus II software reserves I/O pins as power pins as necessary for layout with the larger densities in the same package having more power pins.

Table 1–3. Cyclone QFP and FineLine BGA Package Sizes

| Dimension | 100-Pin TQFP | 144-Pin TQFP | 240-Pin PQFP | 256-Pin FineLine BGA | 324-Pin FineLine BGA | 400-Pin FineLine BGA |
|--------------------------|--------------|--------------|--------------|----------------------|----------------------|----------------------|
| Pitch (mm) | 0.5 | 0.5 | 0.5 | 1.0 | 1.0 | 1.0 |
| Area (mm ²) | 256 | 484 | 1,024 | 289 | 361 | 441 |
| Length × width (mm × mm) | 16×16 | 22×22 | 34.6×34.6 | 17×17 | 19×19 | 21×21 |

Document Revision History

Table 1–4 shows the revision history for this document.

Table 1–4. Document Revision History

| Date and Document Version | Changes Made | Summary of Changes |
|---------------------------|---|--------------------|
| May 2008 v1.5 | Minor textual and style changes. | — |
| January 2007 v1.4 | Added document revision history. | — |
| August 2005 v1.3 | Minor updates. | — |
| October 2003 v1.2 | Added 64-bit PCI support information. | — |
| September 2003 v1.1 | <ul style="list-style-type: none"> ● Updated LVDS data rates to 640 Mbps from 311 Mbps. ● Updated RSFS feature information. | — |
| May 2003 v1.0 | Added document to Cyclone Device Handbook. | — |

Functional Description

Cyclone® devices contain a two-dimensional row- and column-based architecture to implement custom logic. Column and row interconnects of varying speeds provide signal interconnects between LABs and embedded memory blocks.

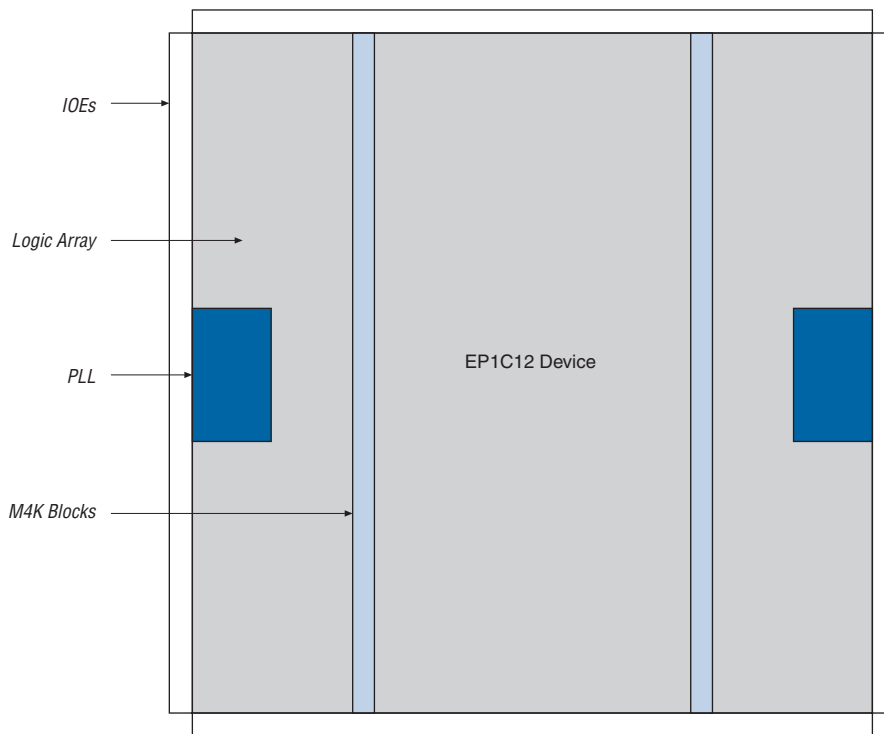
The logic array consists of LABs, with 10 LEs in each LAB. An LE is a small unit of logic providing efficient implementation of user logic functions. LABs are grouped into rows and columns across the device. Cyclone devices range between 2,910 to 20,060 LEs.

M4K RAM blocks are true dual-port memory blocks with 4K bits of memory plus parity (4,608 bits). These blocks provide dedicated true dual-port, simple dual-port, or single-port memory up to 36-bits wide at up to 250 MHz. These blocks are grouped into columns across the device in between certain LABs. Cyclone devices offer between 60 to 288 Kbits of embedded RAM.

Each Cyclone device I/O pin is fed by an I/O element (IOE) located at the ends of LAB rows and columns around the periphery of the device. I/O pins support various single-ended and differential I/O standards, such as the 66- and 33-MHz, 64- and 32-bit PCI standard and the LVDS I/O standard at up to 640 Mbps. Each IOE contains a bidirectional I/O buffer and three registers for registering input, output, and output-enable signals. Dual-purpose DQS, DQ, and DM pins along with delay chains (used to phase-align DDR signals) provide interface support with external memory devices such as DDR SDRAM, and FCRAM devices at up to 133 MHz (266 Mbps).

Cyclone devices provide a global clock network and up to two PLLs. The global clock network consists of eight global clock lines that drive throughout the entire device. The global clock network can provide clocks for all resources within the device, such as IOEs, LEs, and memory blocks. The global clock lines can also be used for control signals. Cyclone PLLs provide general-purpose clocking with clock multiplication and phase shifting as well as external outputs for high-speed differential I/O support.

Figure 2–1 shows a diagram of the Cyclone EP1C12 device.

Figure 2–1. Cyclone EP1C12 Device Block Diagram

The number of M4K RAM blocks, PLLs, rows, and columns vary per device. [Table 2–1](#) lists the resources available in each Cyclone device.

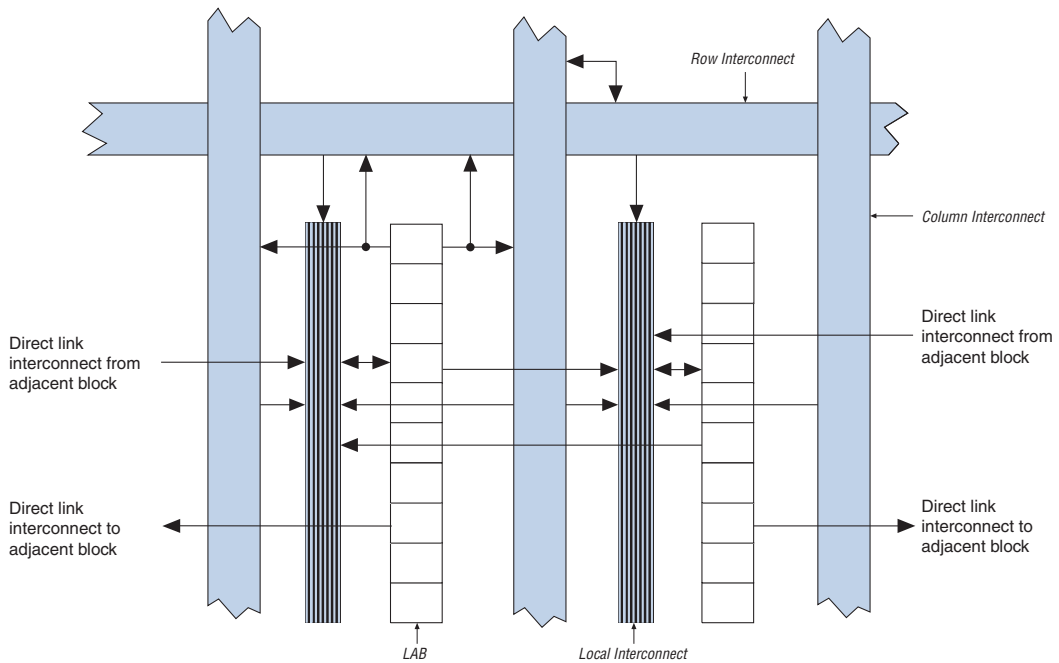
Table 2–1. Cyclone Device Resources

| Device | M4K RAM | | PLLs | LAB Columns | LAB Rows |
|--------|---------|--------|------|-------------|----------|
| | Columns | Blocks | | | |
| EP1C3 | 1 | 13 | 1 | 24 | 13 |
| EP1C4 | 1 | 17 | 2 | 26 | 17 |
| EP1C6 | 1 | 20 | 2 | 32 | 20 |
| EP1C12 | 2 | 52 | 2 | 48 | 26 |
| EP1C20 | 2 | 64 | 2 | 64 | 32 |

Logic Array Blocks

Each LAB consists of 10 LEs, LE carry chains, LAB control signals, a local interconnect, look-up table (LUT) chain, and register chain connection lines. The local interconnect transfers signals between LEs in the same LAB. LUT chain connections transfer the output of one LE's LUT to the adjacent LE for fast sequential LUT connections within the same LAB. Register chain connections transfer the output of one LE's register to the adjacent LE's register within a LAB. The Quartus® II Compiler places associated logic within a LAB or adjacent LABs, allowing the use of local, LUT chain, and register chain connections for performance and area efficiency. Figure 2-2 details the Cyclone LAB structure.

Figure 2-2. Cyclone LAB Structure

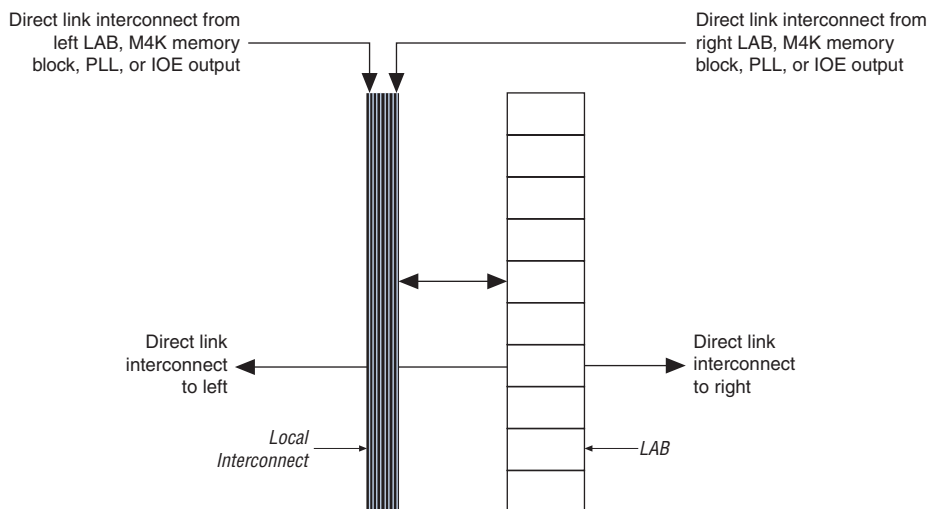


LAB Interconnects

The LAB local interconnect can drive LEs within the same LAB. The LAB local interconnect is driven by column and row interconnects and LE outputs within the same LAB. Neighboring LABs, PLLs, and M4K RAM blocks from the left and right can also drive a LAB's local interconnect through the direct link connection. The direct link connection feature minimizes the use of row and column interconnects, providing higher

performance and flexibility. Each LE can drive 30 other LEs through fast local and direct link interconnects. Figure 2–3 shows the direct link connection.

Figure 2–3. Direct Link Connection



LAB Control Signals

Each LAB contains dedicated logic for driving control signals to its LEs. The control signals include two clocks, two clock enables, two asynchronous clears, synchronous clear, asynchronous preset/load, synchronous load, and add/subtract control signals. This gives a maximum of 10 control signals at a time. Although synchronous load and clear signals are generally used when implementing counters, they can also be used with other functions.

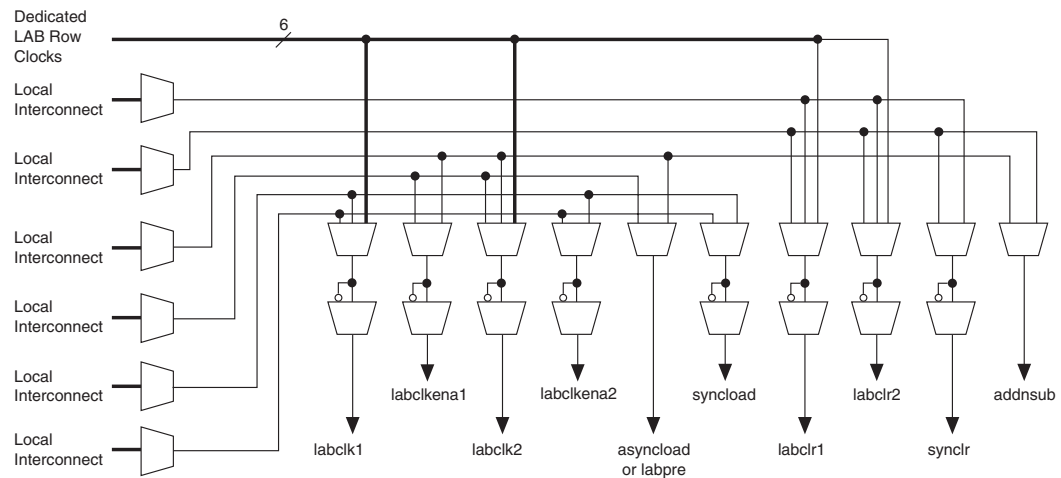
Each LAB can use two clocks and two clock enable signals. Each LAB's clock and clock enable signals are linked. For example, any LE in a particular LAB using the `labclk1` signal will also use `labckena1`. If the LAB uses both the rising and falling edges of a clock, it also uses both LAB-wide clock signals. Deasserting the clock enable signal will turn off the LAB-wide clock.

Each LAB can use two asynchronous clear signals and an asynchronous load/preset signal. The asynchronous load acts as a preset when the asynchronous load data input is tied high.

With the LAB-wide `addnsub` control signal, a single LE can implement a one-bit adder and subtractor. This saves LE resources and improves performance for logic functions such as DSP correlators and signed multipliers that alternate between addition and subtraction depending on data.

The LAB row clocks [5 . . 0] and LAB local interconnect generate the LAB-wide control signals. The MultiTrack™ interconnect's inherent low skew allows clock and control signal distribution in addition to data. [Figure 2-4](#) shows the LAB control signal generation circuit.

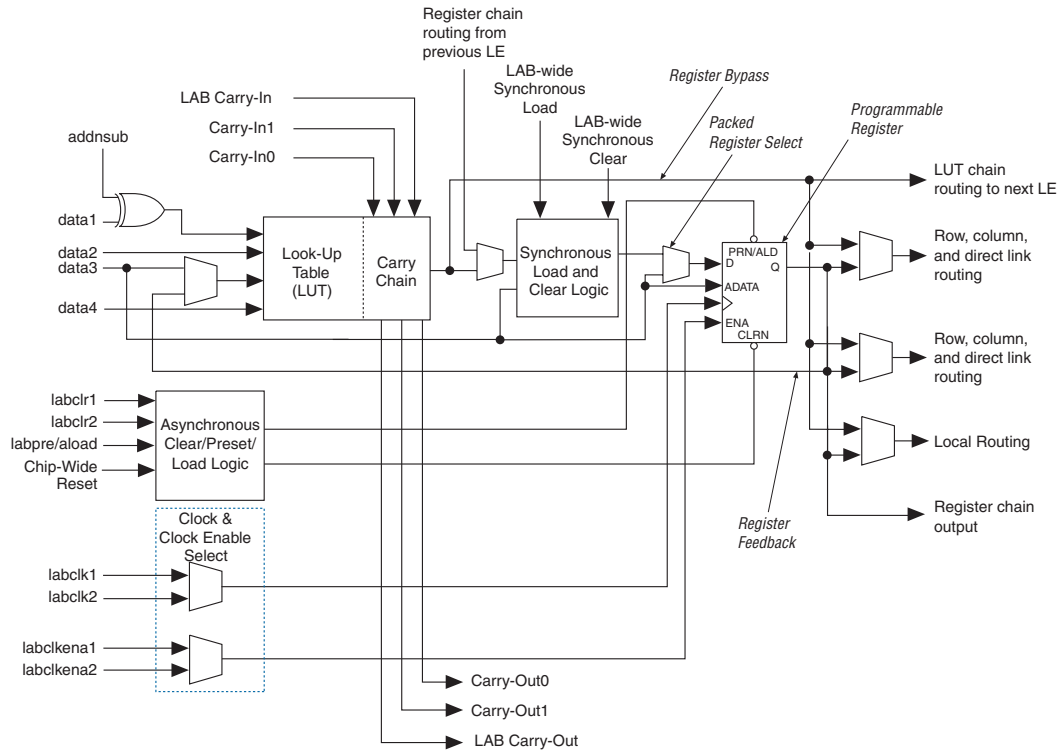
Figure 2-4. LAB-Wide Control Signals



Logic Elements

The smallest unit of logic in the Cyclone architecture, the LE, is compact and provides advanced features with efficient logic utilization. Each LE contains a four-input LUT, which is a function generator that can implement any function of four variables. In addition, each LE contains a programmable register and carry chain with carry select capability. A single LE also supports dynamic single bit addition or subtraction mode selectable by a LAB-wide control signal. Each LE drives all types of interconnects: local, row, column, LUT chain, register chain, and direct link interconnects. See [Figure 2-5](#).

Figure 2-5. Cyclone LE



Each LE's programmable register can be configured for D, T, JK, or SR operation. Each register has data, true asynchronous load data, clock, clock enable, clear, and asynchronous load/preset inputs. Global signals, general-purpose I/O pins, or any internal logic can drive the register's clock and clear control signals. Either general-purpose I/O pins or internal logic can drive the clock enable, preset, asynchronous load, and asynchronous data. The asynchronous load data input comes from the `data3` input of the LE. For combinatorial functions, the LUT output bypasses the register and drives directly to the LE outputs.

Each LE has three outputs that drive the local, row, and column routing resources. The LUT or register output can drive these three outputs independently. Two LE outputs drive column or row and direct link routing connections and one drives local interconnect resources. This allows the LUT to drive one output while the register drives another output. This feature, called register packing, improves device utilization because the device can use the register and the LUT for unrelated

functions. Another special packing mode allows the register output to feed back into the LUT of the same LE so that the register is packed with its own fan-out LUT. This provides another mechanism for improved fitting. The LE can also drive out registered and unregistered versions of the LUT output.

LUT Chain and Register Chain

In addition to the three general routing outputs, the LEs within a LAB have LUT chain and register chain outputs. LUT chain connections allow LUTs within the same LAB to cascade together for wide input functions. Register chain outputs allow registers within the same LAB to cascade together. The register chain output allows a LAB to use LUTs for a single combinatorial function and the registers to be used for an unrelated shift register implementation. These resources speed up connections between LABs while saving local interconnect resources. “[MultiTrack Interconnect](#)” on page 2–12 for more information on LUT chain and register chain connections.

addsub Signal

The LE's dynamic adder/subtractor feature saves logic resources by using one set of LEs to implement both an adder and a subtractor. This feature is controlled by the LAB-wide control signal `addsub`. The `addsub` signal sets the LAB to perform either $A + B$ or $A - B$. The LUT computes addition; subtraction is computed by adding the two's complement of the intended subtractor. The LAB-wide signal converts to two's complement by inverting the B bits within the LAB and setting carry-in = 1 to add one to the least significant bit (LSB). The LSB of an adder/subtractor must be placed in the first LE of the LAB, where the LAB-wide `addsub` signal automatically sets the carry-in to 1. The Quartus II Compiler automatically places and uses the adder/subtractor feature when using adder/subtractor parameterized functions.

LE Operating Modes

The Cyclone LE can operate in one of the following modes:

- Normal mode
- Dynamic arithmetic mode

Each mode uses LE resources differently. In each mode, eight available inputs to the LE—the four data inputs from the LAB local interconnect, `carry-in0` and `carry-in1` from the previous LE, the LAB carry-in from the previous carry-chain LAB, and the register chain connection—are directed to different destinations to implement the desired logic function. LAB-wide signals provide clock, asynchronous clear, asynchronous

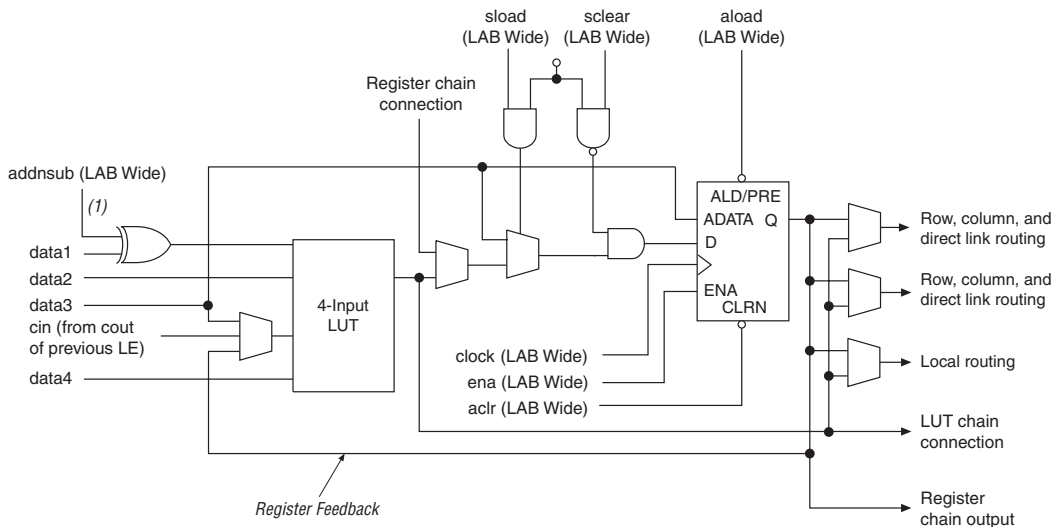
preset/load, synchronous clear, synchronous load, and clock enable control for the register. These LAB-wide signals are available in all LE modes. The `addnsub` control signal is allowed in arithmetic mode.

The Quartus II software, in conjunction with parameterized functions such as library of parameterized modules (LPM) functions, automatically chooses the appropriate mode for common functions such as counters, adders, subtractors, and arithmetic functions. If required, you can also create special-purpose functions that specify which LE operating mode to use for optimal performance.

Normal Mode

The normal mode is suitable for general logic applications and combinatorial functions. In normal mode, four data inputs from the LAB local interconnect are inputs to a four-input LUT (see Figure 2–6). The Quartus II Compiler automatically selects the carry-in or the `data3` signal as one of the inputs to the LUT. Each LE can use LUT chain connections to drive its combinatorial output directly to the next LE in the LAB. Asynchronous load data for the register comes from the `data3` input of the LE. LEs in normal mode support packed registers.

Figure 2–6. LE in Normal Mode



Note to Figure 2–6:

(1) This signal is only allowed in normal mode if the LE is at the end of an adder/subtractor chain.

Dynamic Arithmetic Mode

The dynamic arithmetic mode is ideal for implementing adders, counters, accumulators, wide parity functions, and comparators. An LE in dynamic arithmetic mode uses four 2-input LUTs configurable as a dynamic adder/subtractor. The first two 2-input LUTs compute two summations based on a possible carry-in of 1 or 0; the other two LUTs generate carry outputs for the two chains of the carry select circuitry. As shown in [Figure 2-7](#), the LAB carry-in signal selects either the `carry-in0` or `carry-in1` chain. The selected chain's logic level in turn determines which parallel sum is generated as a combinatorial or registered output. For example, when implementing an adder, the sum output is the selection of two possible calculated sums:

$$\text{data1} + \text{data2} + \text{carry-in0}$$

or

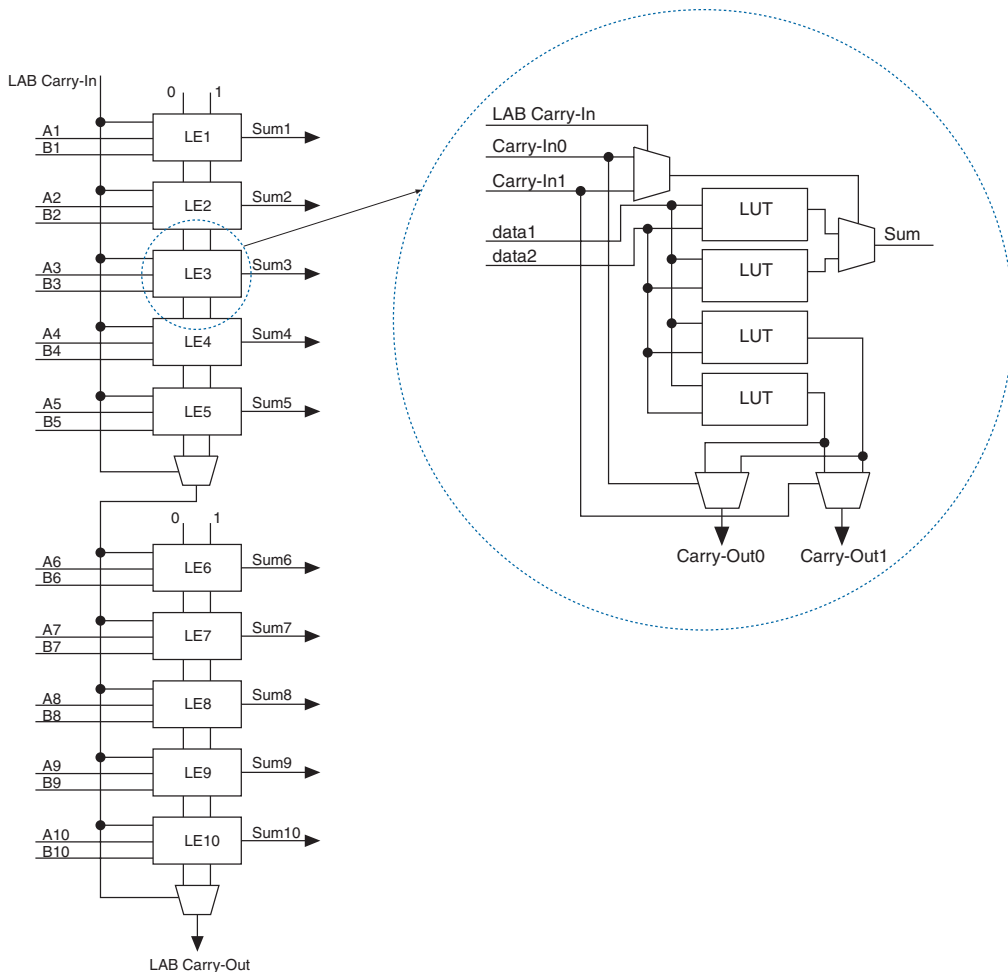
$$\text{data1} + \text{data2} + \text{carry-in1}$$

The other two LUTs use the `data1` and `data2` signals to generate two possible carry-out signals—one for a carry of 1 and the other for a carry of 0. The `carry-in0` signal acts as the carry select for the `carry-out0` output and `carry-in1` acts as the carry select for the `carry-out1` output. LEs in arithmetic mode can drive out registered and unregistered versions of the LUT output.

The dynamic arithmetic mode also offers clock enable, counter enable, synchronous up/down control, synchronous clear, synchronous load, and dynamic adder/subtractor options. The LAB local interconnect data inputs generate the counter enable and synchronous up/down control signals. The synchronous clear and synchronous load options are LAB-wide signals that affect all registers in the LAB. The Quartus II software automatically places any registers that are not used by the counter into other LABs. The `addnsub` LAB-wide signal controls whether the LE acts as an adder or subtractor.

Figure 2–8 shows the carry-select circuitry in a LAB for a 10-bit full adder. One portion of the LUT generates the sum of two bits using the input signals and the appropriate carry-in bit; the sum is routed to the output of the LE. The register can be bypassed for simple adders or used for accumulator functions. Another portion of the LUT generates carry-out bits. A LAB-wide carry-in bit selects which chain is used for the addition of given inputs. The carry-in signal for each chain, `carry-in0` or `carry-in1`, selects the carry-out to carry forward to the carry-in signal of the next-higher-order bit. The final carry-out signal is routed to an LE, where it is fed to local, row, or column interconnects.

Figure 2–8. Carry Select Chain



The Quartus II Compiler automatically creates carry chain logic during design processing, or you can create it manually during design entry. Parameterized functions such as LPM functions automatically take advantage of carry chains for the appropriate functions.

The Quartus II Compiler creates carry chains longer than 10 LEs by linking LABs together automatically. For enhanced fitting, a long carry chain runs vertically allowing fast horizontal connections to M4K memory blocks. A carry chain can continue as far as a full column.

Clear and Preset Logic Control

LAB-wide signals control the logic for the register's clear and preset signals. The LE directly supports an asynchronous clear and preset function. The register preset is achieved through the asynchronous load of a logic high. The direct asynchronous preset does not require a NOT-gate push-back technique. Cyclone devices support simultaneous preset/ asynchronous load and clear signals. An asynchronous clear signal takes precedence if both signals are asserted simultaneously. Each LAB supports up to two clears and one preset signal.

In addition to the clear and preset ports, Cyclone devices provide a chip-wide reset pin (DEV_CLRn) that resets all registers in the device. An option set before compilation in the Quartus II software controls this pin. This chip-wide reset overrides all other control signals.

MultiTrack Interconnect

In the Cyclone architecture, connections between LEs, M4K memory blocks, and device I/O pins are provided by the MultiTrack interconnect structure with DirectDrive™ technology. The MultiTrack interconnect consists of continuous, performance-optimized routing lines of different speeds used for inter- and intra-design block connectivity. The Quartus II Compiler automatically places critical design paths on faster interconnects to improve design performance.

DirectDrive technology is a deterministic routing technology that ensures identical routing resource usage for any function regardless of placement within the device. The MultiTrack interconnect and DirectDrive technology simplify the integration stage of block-based designing by eliminating the re-optimization cycles that typically follow design changes and additions.

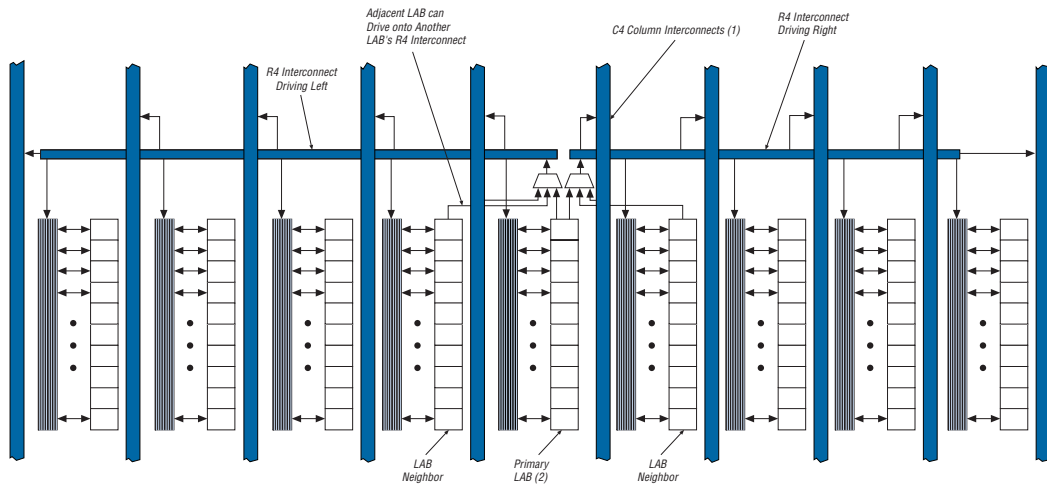
The MultiTrack interconnect consists of row and column interconnects that span fixed distances. A routing structure with fixed length resources for all devices allows predictable and repeatable performance when

migrating through different device densities. Dedicated row interconnects route signals to and from LABs, PLLs, and M4K memory blocks within the same row. These row resources include:

- Direct link interconnects between LABs and adjacent blocks
- R4 interconnects traversing four blocks to the right or left

The direct link interconnect allows a LAB or M4K memory block to drive into the local interconnect of its left and right neighbors. Only one side of a PLL block interfaces with direct link and row interconnects. The direct link interconnect provides fast communication between adjacent LABs and/or blocks without using row interconnect resources.

The R4 interconnects span four LABs, or two LABs and one M4K RAM block. These resources are used for fast row connections in a four-LAB region. Every LAB has its own set of R4 interconnects to drive either left or right. [Figure 2-9](#) shows R4 interconnect connections from a LAB. R4 interconnects can drive and be driven by M4K memory blocks, PLLs, and row IOEs. For LAB interfacing, a primary LAB or LAB neighbor can drive a given R4 interconnect. For R4 interconnects that drive to the right, the primary LAB and right neighbor can drive on to the interconnect. For R4 interconnects that drive to the left, the primary LAB and its left neighbor can drive on to the interconnect. R4 interconnects can drive other R4 interconnects to extend the range of LABs they can drive. R4 interconnects can also drive C4 interconnects for connections from one row to another.

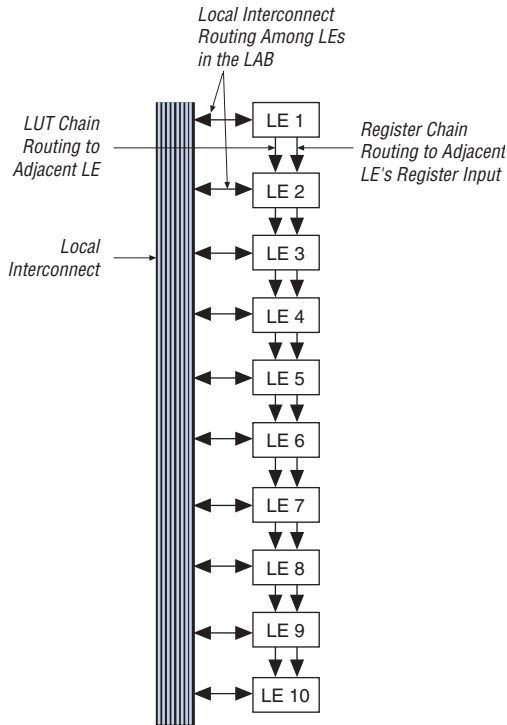
Figure 2–9. R4 Interconnect Connections**Notes to Figure 2–9:**

- (1) C4 interconnects can drive R4 interconnects.
- (2) This pattern is repeated for every LAB in the LAB row.

The column interconnect operates similarly to the row interconnect. Each column of LABs is served by a dedicated column interconnect, which vertically routes signals to and from LABs, M4K memory blocks, and row and column IOEs. These column resources include:

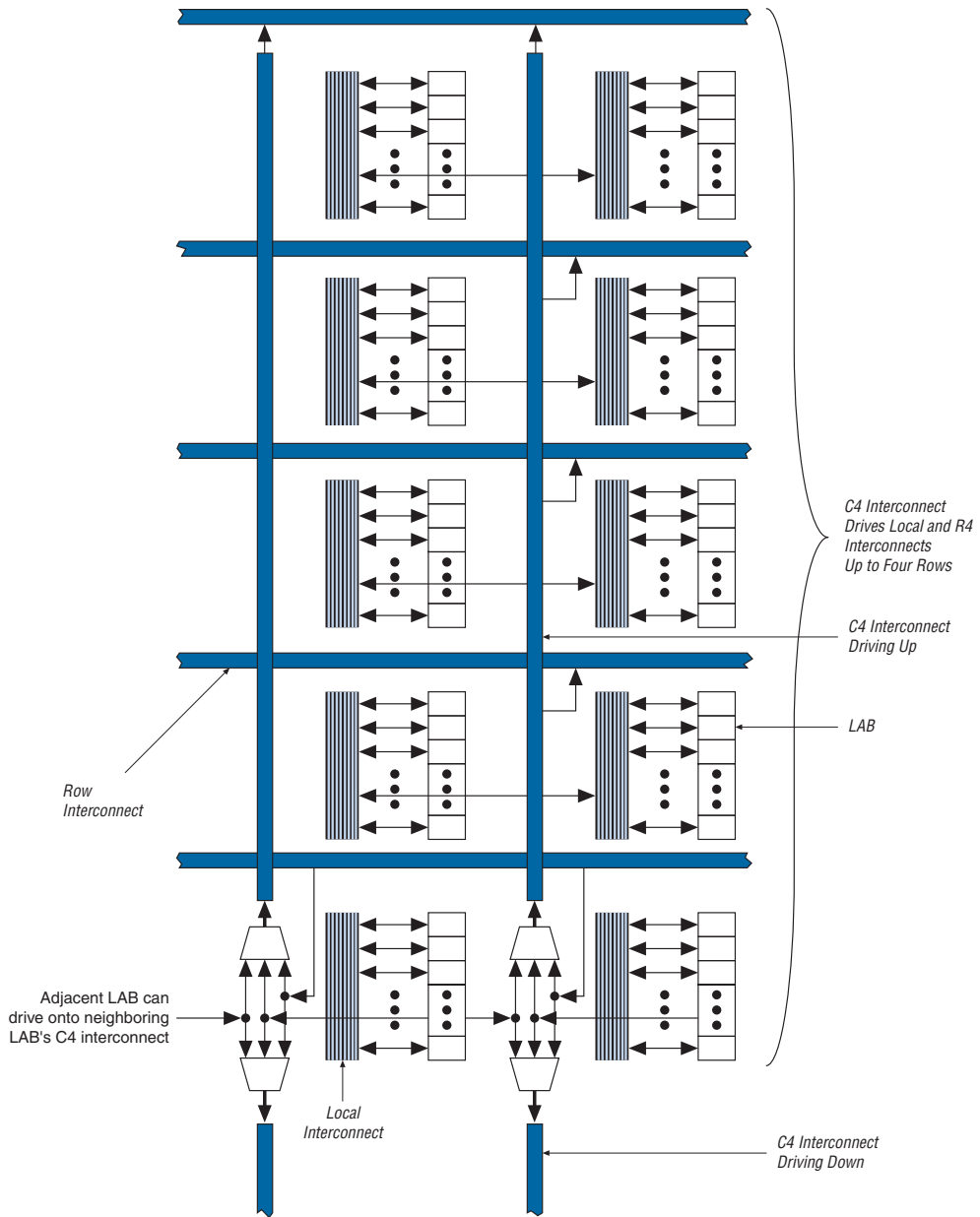
- LUT chain interconnects within a LAB
- Register chain interconnects within a LAB
- C4 interconnects traversing a distance of four blocks in an up and down direction

Cyclone devices include an enhanced interconnect structure within LABs for routing LE output to LE input connections faster using LUT chain connections and register chain connections. The LUT chain connection allows the combinatorial output of an LE to directly drive the fast input of the LE right below it, bypassing the local interconnect. These resources can be used as a high-speed connection for wide fan-in functions from LE 1 to LE 10 in the same LAB. The register chain connection allows the register output of one LE to connect directly to the register input of the next LE in the LAB for fast shift registers. The Quartus II Compiler automatically takes advantage of these resources to improve utilization and performance. Figure 2–10 shows the LUT chain and register chain interconnects.

Figure 2–10. LUT Chain and Register Chain Interconnects

The C4 interconnects span four LABs or M4K blocks up or down from a source LAB. Every LAB has its own set of C4 interconnects to drive either up or down. [Figure 2–11](#) shows the C4 interconnect connections from a LAB in a column. The C4 interconnects can drive and be driven by all types of architecture blocks, including PLLs, M4K memory blocks, and column and row IOEs. For LAB interconnection, a primary LAB or its LAB neighbor can drive a given C4 interconnect. C4 interconnects can drive each other to extend their range as well as drive row interconnects for column-to-column connections.

Figure 2-11. C4 Interconnect Connections *Note (1)*



Note to Figure 2-11:

(1) Each C4 interconnect can drive either up or down four rows.

All embedded blocks communicate with the logic array similar to LAB-to-LAB interfaces. Each block (i.e., M4K memory or PLL) connects to row and column interconnects and has local interconnect regions driven by row and column interconnects. These blocks also have direct link interconnects for fast connections to and from a neighboring LAB.

Table 2–2 shows the Cyclone device's routing scheme.

| Source | Destination | | | | | | | | | | |
|--------------------------|-------------|----------------|--------------------|--------------------------|-----------------|-----------------|----|---------------|-----|------------|---------|
| | LUT Chain | Register Chain | Local Interconnect | Direct Link Interconnect | R4 Interconnect | C4 Interconnect | LE | M4K RAM Block | PLL | Column IOE | Row IOE |
| LUT Chain | — | — | — | — | — | — | ✓ | — | — | — | — |
| Register Chain | — | — | — | — | — | — | ✓ | — | — | — | — |
| Local Interconnect | — | — | — | — | — | — | ✓ | ✓ | ✓ | ✓ | ✓ |
| Direct Link Interconnect | — | — | ✓ | — | — | — | — | — | — | — | — |
| R4 Interconnect | — | — | ✓ | — | ✓ | ✓ | — | — | — | — | — |
| C4 Interconnect | — | — | ✓ | — | ✓ | ✓ | — | — | — | — | — |
| LE | ✓ | ✓ | ✓ | ✓ | ✓ | ✓ | — | — | — | — | — |
| M4K RAM Block | — | — | ✓ | ✓ | ✓ | ✓ | — | — | — | — | — |
| PLL | — | — | — | ✓ | ✓ | ✓ | — | — | — | — | — |
| Column IOE | — | — | — | — | — | ✓ | — | — | — | — | — |
| Row IOE | — | — | — | ✓ | ✓ | ✓ | — | — | — | — | — |

Embedded Memory

The Cyclone embedded memory consists of columns of M4K memory blocks. EP1C3 and EP1C6 devices have one column of M4K blocks, while EP1C12 and EP1C20 devices have two columns (refer to [Table 1–1 on page 1–1](#) for total RAM bits per density). Each M4K block can implement various types of memory with or without parity, including true dual-port, simple dual-port, and single-port RAM, ROM, and FIFO buffers. The M4K blocks support the following features:

- 4,608 RAM bits
- 250 MHz performance
- True dual-port memory
- Simple dual-port memory
- Single-port memory
- Byte enable
- Parity bits
- Shift register
- FIFO buffer
- ROM
- Mixed clock mode

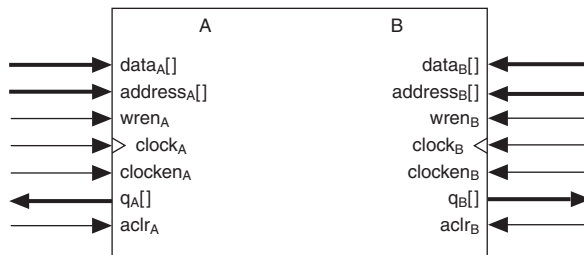


Violating the setup or hold time on the address registers could corrupt the memory contents. This applies to both read and write operations.

Memory Modes

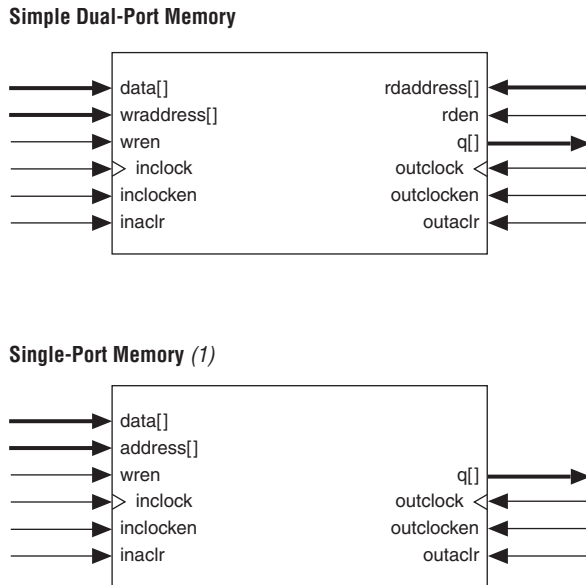
The M4K memory blocks include input registers that synchronize writes and output registers to pipeline designs and improve system performance. M4K blocks offer a true dual-port mode to support any combination of two-port operations: two reads, two writes, or one read and one write at two different clock frequencies. [Figure 2–12](#) shows true dual-port memory.

Figure 2–12. True Dual-Port Memory Configuration



In addition to true dual-port memory, the M4K memory blocks support simple dual-port and single-port RAM. Simple dual-port memory supports a simultaneous read and write. Single-port memory supports non-simultaneous reads and writes. Figure 2–13 shows these different M4K RAM memory port configurations.

Figure 2–13. Simple Dual-Port and Single-Port Memory Configurations



Note to Figure 2–13:

- (1) Two single-port memory blocks can be implemented in a single M4K block as long as each of the two independent block sizes is equal to or less than half of the M4K block size.

The memory blocks also enable mixed-width data ports for reading and writing to the RAM ports in dual-port RAM configuration. For example, the memory block can be written in $\times 1$ mode at port A and read out in $\times 16$ mode from port B.

The Cyclone memory architecture can implement fully synchronous RAM by registering both the input and output signals to the M4K RAM block. All M4K memory block inputs are registered, providing synchronous write cycles. In synchronous operation, the memory block generates its own self-timed strobe write enable (`wren`) signal derived from a global clock. In contrast, a circuit using asynchronous RAM must generate the RAM `wren` signal while ensuring its data and address signals meet setup and hold time specifications relative to the `wren`

signal. The output registers can be bypassed. Pseudo-asynchronous reading is possible in the simple dual-port mode of M4K blocks by clocking the read enable and read address registers on the negative clock edge and bypassing the output registers.

When configured as RAM or ROM, you can use an initialization file to pre-load the memory contents.

Two single-port memory blocks can be implemented in a single M4K block as long as each of the two independent block sizes is equal to or less than half of the M4K block size.

The Quartus II software automatically implements larger memory by combining multiple M4K memory blocks. For example, two 256×16-bit RAM blocks can be combined to form a 256×32-bit RAM block. Memory performance does not degrade for memory blocks using the maximum number of words allowed. Logical memory blocks using less than the maximum number of words use physical blocks in parallel, eliminating any external control logic that would increase delays. To create a larger high-speed memory block, the Quartus II software automatically combines memory blocks with LE control logic.

Parity Bit Support

The M4K blocks support a parity bit for each byte. The parity bit, along with internal LE logic, can implement parity checking for error detection to ensure data integrity. You can also use parity-size data words to store user-specified control bits. Byte enables are also available for data input masking during write operations.

Shift Register Support

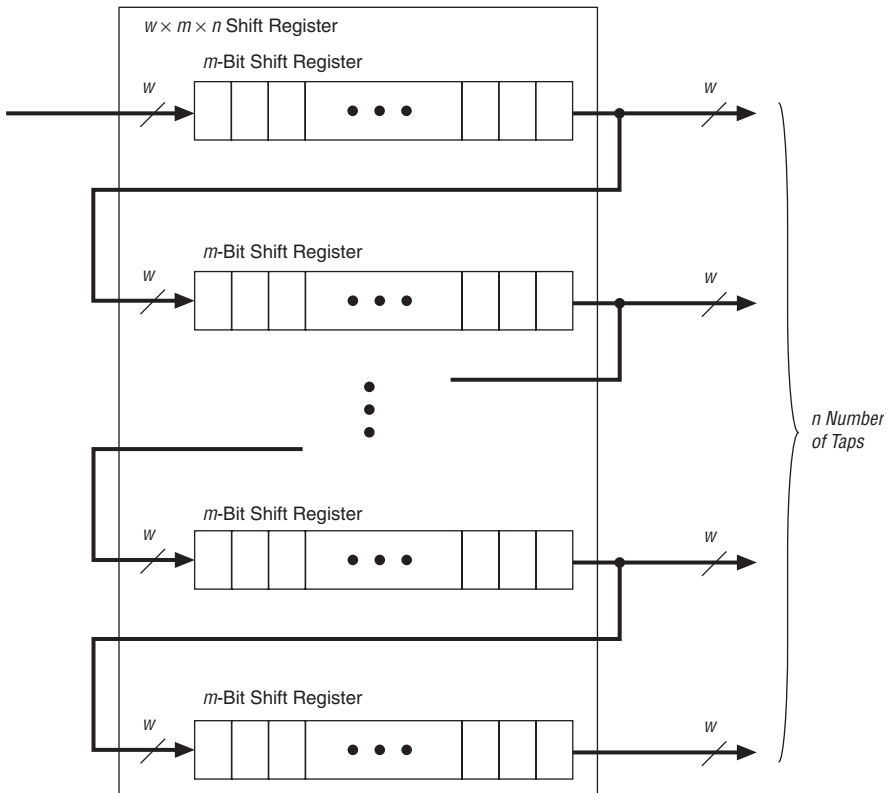
You can configure M4K memory blocks to implement shift registers for DSP applications such as pseudo-random number generators, multi-channel filtering, auto-correlation, and cross-correlation functions. These and other DSP applications require local data storage, traditionally implemented with standard flip-flops, which can quickly consume many logic cells and routing resources for large shift registers. A more efficient alternative is to use embedded memory as a shift register block, which saves logic cell and routing resources and provides a more efficient implementation with the dedicated circuitry.

The size of a $w \times m \times n$ shift register is determined by the input data width (w), the length of the taps (m), and the number of taps (n). The size of a $w \times m \times n$ shift register must be less than or equal to the maximum number of memory bits in the M4K block (4,608 bits). The total number of shift

register outputs (number of taps $n \times$ width w) must be less than the maximum data width of the M4K RAM block ($\times 36$). To create larger shift registers, multiple memory blocks are cascaded together.

Data is written into each address location at the falling edge of the clock and read from the address at the rising edge of the clock. The shift register mode logic automatically controls the positive and negative edge clocking to shift the data in one clock cycle. Figure 2-14 shows the M4K memory block in the shift register mode.

Figure 2-14. Shift Register Memory Configuration



Memory Configuration Sizes

The memory address depths and output widths can be configured as $4,096 \times 1$, $2,048 \times 2$, $1,024 \times 4$, 512×8 (or 512×9 bits), 256×16 (or 256×18 bits), and 128×32 (or 128×36 bits). The 128×32 - or 36 -bit configuration

is not available in the true dual-port mode. Mixed-width configurations are also possible, allowing different read and write widths. Tables 2-3 and 2-4 summarize the possible M4K RAM block configurations.

Table 2-3. M4K RAM Block Configurations (Simple Dual-Port)

| Read Port | Write Port | | | | | | | | |
|-----------|------------|--------|--------|---------|----------|----------|---------|----------|----------|
| | 4K × 1 | 2K × 2 | 1K × 4 | 512 × 8 | 256 × 16 | 128 × 32 | 512 × 9 | 256 × 18 | 128 × 36 |
| 4K × 1 | ✓ | ✓ | ✓ | ✓ | ✓ | ✓ | — | — | — |
| 2K × 2 | ✓ | ✓ | ✓ | ✓ | ✓ | ✓ | — | — | — |
| 1K × 4 | ✓ | ✓ | ✓ | ✓ | ✓ | ✓ | — | — | — |
| 512 × 8 | ✓ | ✓ | ✓ | ✓ | ✓ | ✓ | — | — | — |
| 256 × 16 | ✓ | ✓ | ✓ | ✓ | ✓ | ✓ | — | — | — |
| 128 × 32 | ✓ | ✓ | ✓ | ✓ | ✓ | ✓ | — | — | — |
| 512 × 9 | — | — | — | — | — | — | ✓ | ✓ | ✓ |
| 256 × 18 | — | — | — | — | — | — | ✓ | ✓ | ✓ |
| 128 × 36 | — | — | — | — | — | — | ✓ | ✓ | ✓ |

Table 2-4. M4K RAM Block Configurations (True Dual-Port)

| Port A | Port B | | | | | | |
|----------|--------|--------|--------|---------|----------|---------|----------|
| | 4K × 1 | 2K × 2 | 1K × 4 | 512 × 8 | 256 × 16 | 512 × 9 | 256 × 18 |
| 4K × 1 | ✓ | ✓ | ✓ | ✓ | ✓ | — | — |
| 2K × 2 | ✓ | ✓ | ✓ | ✓ | ✓ | — | — |
| 1K × 4 | ✓ | ✓ | ✓ | ✓ | ✓ | — | — |
| 512 × 8 | ✓ | ✓ | ✓ | ✓ | ✓ | — | — |
| 256 × 16 | ✓ | ✓ | ✓ | ✓ | ✓ | — | — |
| 512 × 9 | — | — | — | — | — | ✓ | ✓ |
| 256 × 18 | — | — | — | — | — | ✓ | ✓ |

When the M4K RAM block is configured as a shift register block, you can create a shift register up to 4,608 bits ($w \times m \times n$).

Byte Enables

M4K blocks support byte writes when the write port has a data width of 16, 18, 32, or 36 bits. The byte enables allow the input data to be masked so the device can write to specific bytes. The unwritten bytes retain the previous written value. [Table 2-5](#) summarizes the byte selection.

| <i>Table 2-5. Byte Enable for M4K Blocks</i> <i>Notes (1), (2)</i> | | |
|--|-------------------|-------------------|
| byteena[3..0] | datain ×18 | datain ×36 |
| [0] = 1 | [8..0] | [8..0] |
| [1] = 1 | [17..9] | [17..9] |
| [2] = 1 | — | [26..18] |
| [3] = 1 | — | [35..27] |

Notes to [Table 2-5](#):

- (1) Any combination of byte enables is possible.
- (2) Byte enables can be used in the same manner with 8-bit words, i.e., in ×16 and ×32 modes.

Control Signals and M4K Interface

The M4K blocks allow for different clocks on their inputs and outputs. Either of the two clocks feeding the block can clock M4K block registers (*renwe*, *address*, *byte enable*, *datain*, and *output registers*). Only the *output register* can be bypassed. The six *labclk* signals or local interconnects can drive the control signals for the A and B ports of the M4K block. LEs can also control the *clock_a*, *clock_b*, *renwe_a*, *renwe_b*, *clr_a*, *clr_b*, *clocken_a*, and *clocken_b* signals, as shown in [Figure 2-15](#).

The R4, C4, and direct link interconnects from adjacent LABs drive the M4K block local interconnect. The M4K blocks can communicate with LABs on either the left or right side through these row resources or with LAB columns on either the right or left with the column resources. Up to 10 direct link input connections to the M4K block are possible from the left adjacent LABs and another 10 possible from the right adjacent LAB. M4K block outputs can also connect to left and right LABs through 10 direct link interconnects each. [Figure 2-16](#) shows the M4K block to logic array interface.

Figure 2-15. M4K RAM Block Control Signals

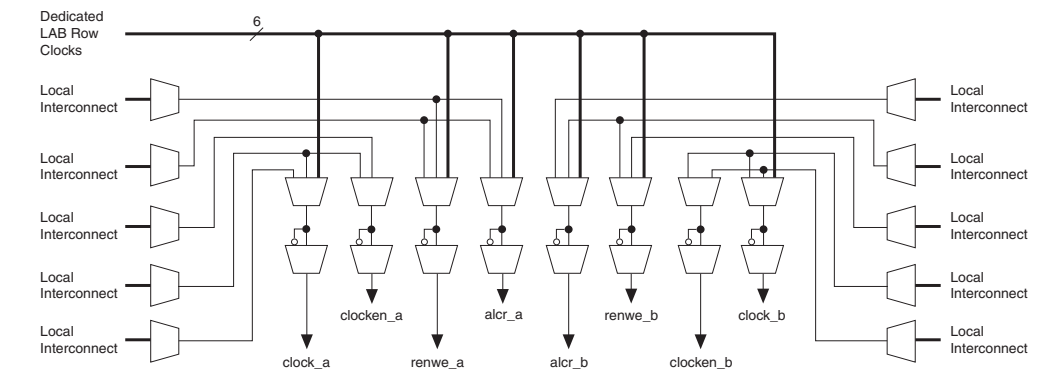
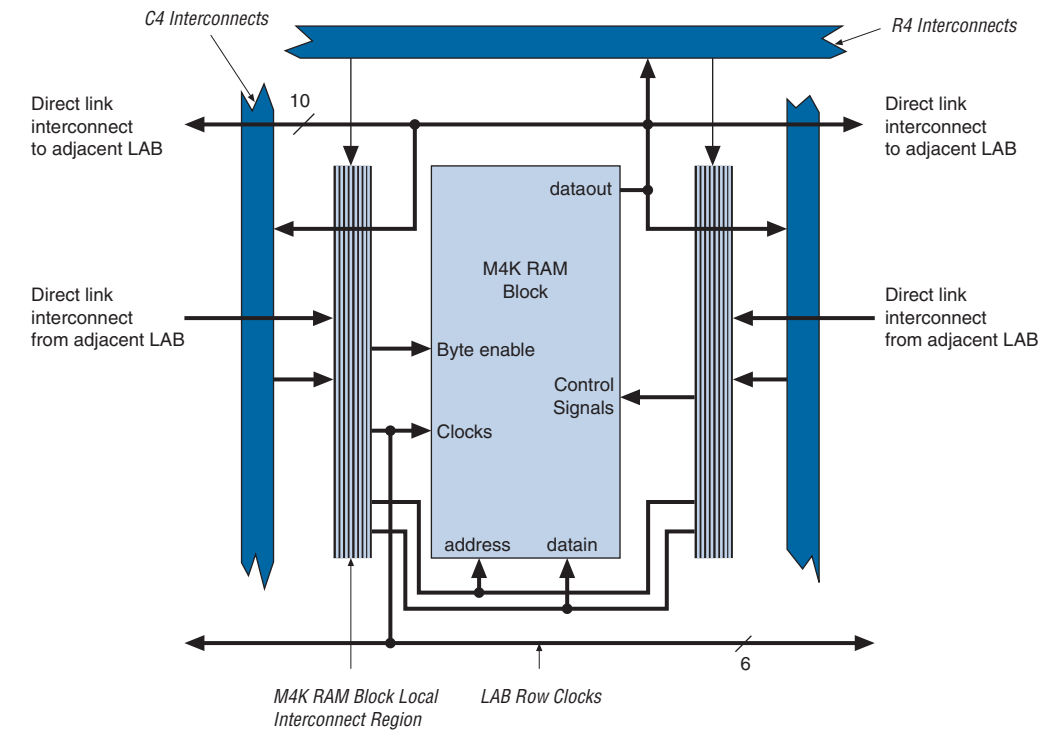


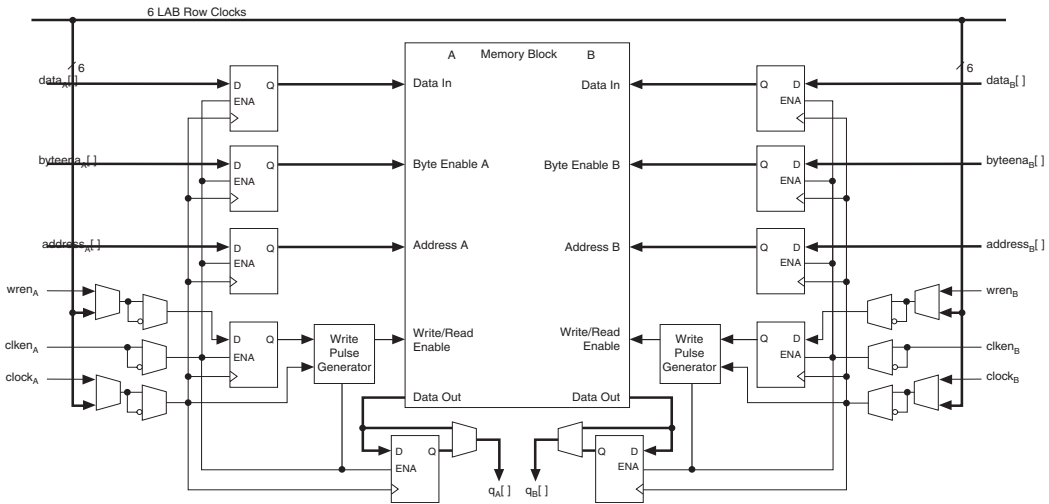
Figure 2-16. M4K RAM Block LAB Row Interface



Independent Clock Mode

The M4K memory blocks implement independent clock mode for true dual-port memory. In this mode, a separate clock is available for each port (ports A and B). Clock A controls all registers on the port A side, while clock B controls all registers on the port B side. Each port, A and B, also supports independent clock enables and asynchronous clear signals for port A and B registers. Figure 2-17 shows an M4K memory block in independent clock mode.

Figure 2-17. Independent Clock Mode Notes (1), (2)



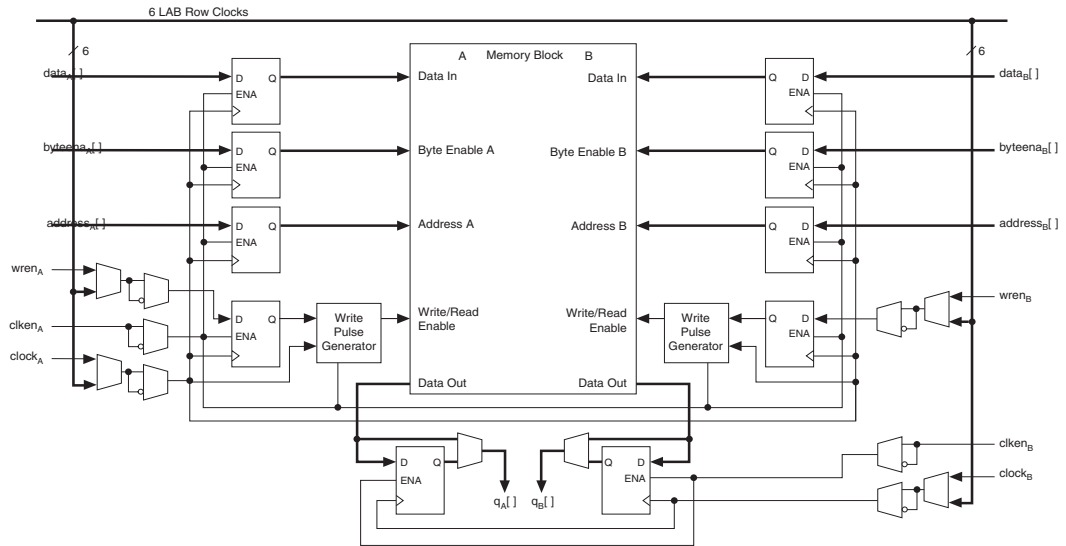
Notes to Figure 2-17:

- (1) All registers shown have asynchronous clear ports.
- (2) Violating the setup or hold time on the address registers could corrupt the memory contents. This applies to both read and write operations.

Input/Output Clock Mode

Input/output clock mode can be implemented for both the true and simple dual-port memory modes. On each of the two ports, A or B, one clock controls all registers for inputs into the memory block: data input, wren, and address. The other clock controls the block's data output registers. Each memory block port, A or B, also supports independent clock enables and asynchronous clear signals for input and output registers. Figures 2-18 and 2-19 show the memory block in input/output clock mode.

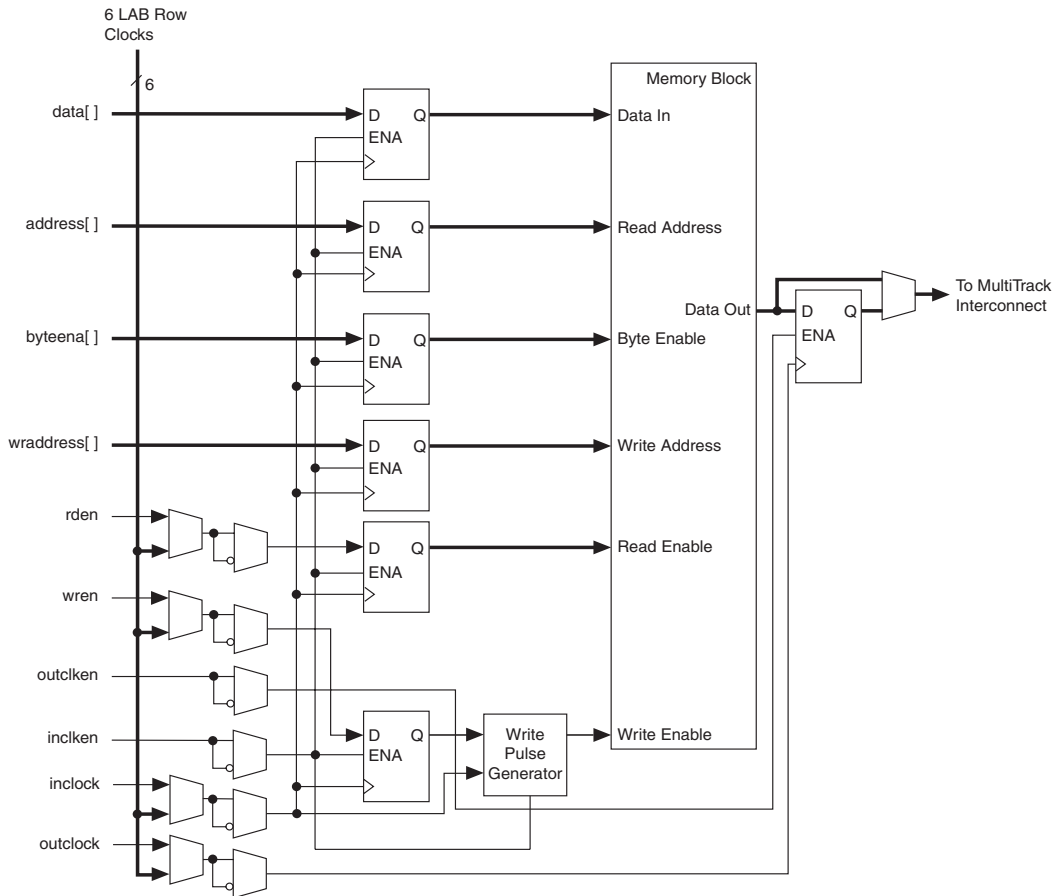
Figure 2-18. Input/Output Clock Mode in True Dual-Port Mode *Notes (1), (2)*



Notes to Figure 2-18:

- (1) All registers shown have asynchronous clear ports.
- (2) Violating the setup or hold time on the address registers could corrupt the memory contents. This applies to both read and write operations.

Figure 2–19. Input/Output Clock Mode in Simple Dual-Port Mode *Notes (1), (2)*



Notes to Figure 2–19:

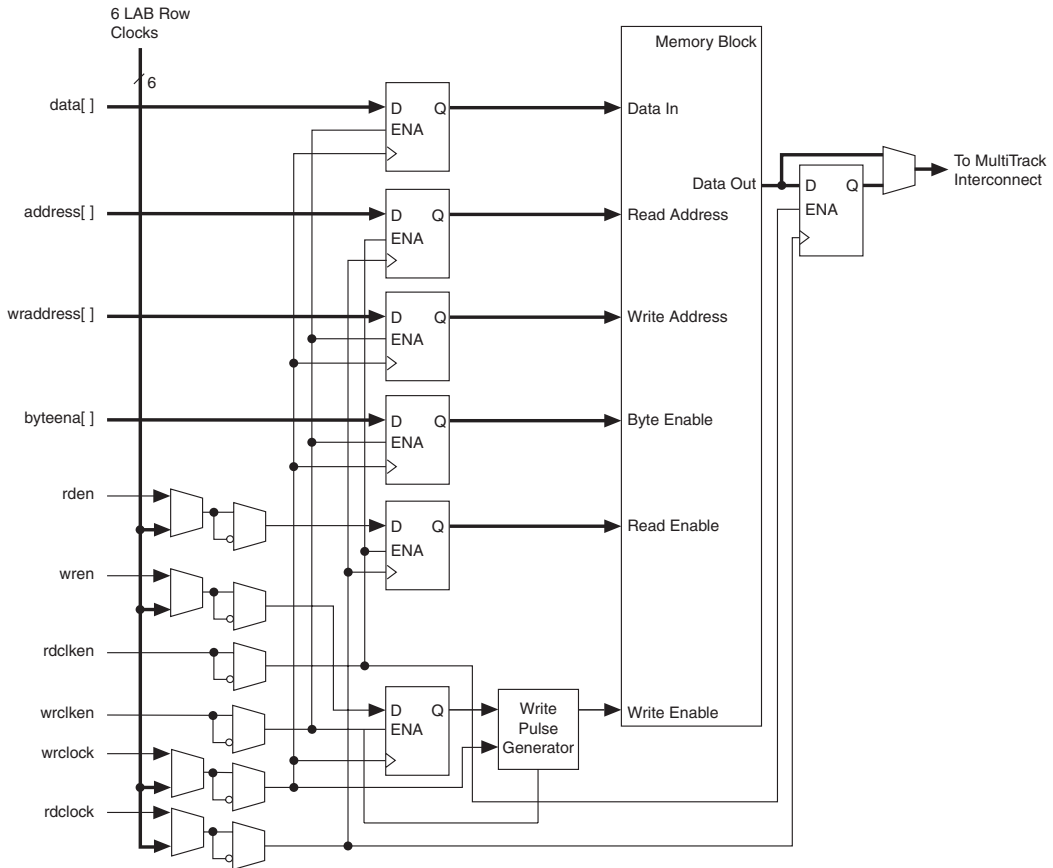
- (1) All registers shown except the rden register have asynchronous clear ports.
- (2) Violating the setup or hold time on the address registers could corrupt the memory contents. This applies to both read and write operations.

Read/Write Clock Mode

The M4K memory blocks implement read/write clock mode for simple dual-port memory. You can use up to two clocks in this mode. The write clock controls the block's data inputs, *waddress*, and *wren*. The read clock controls the data output, *rdaddress*, and *rden*. The memory blocks support independent clock enables for each clock and asynchronous clear signals for the read- and write-side registers.

Figure 2–20 shows a memory block in read/write clock mode.

Figure 2–20. Read/Write Clock Mode in Simple Dual-Port Mode Notes (1), (2)



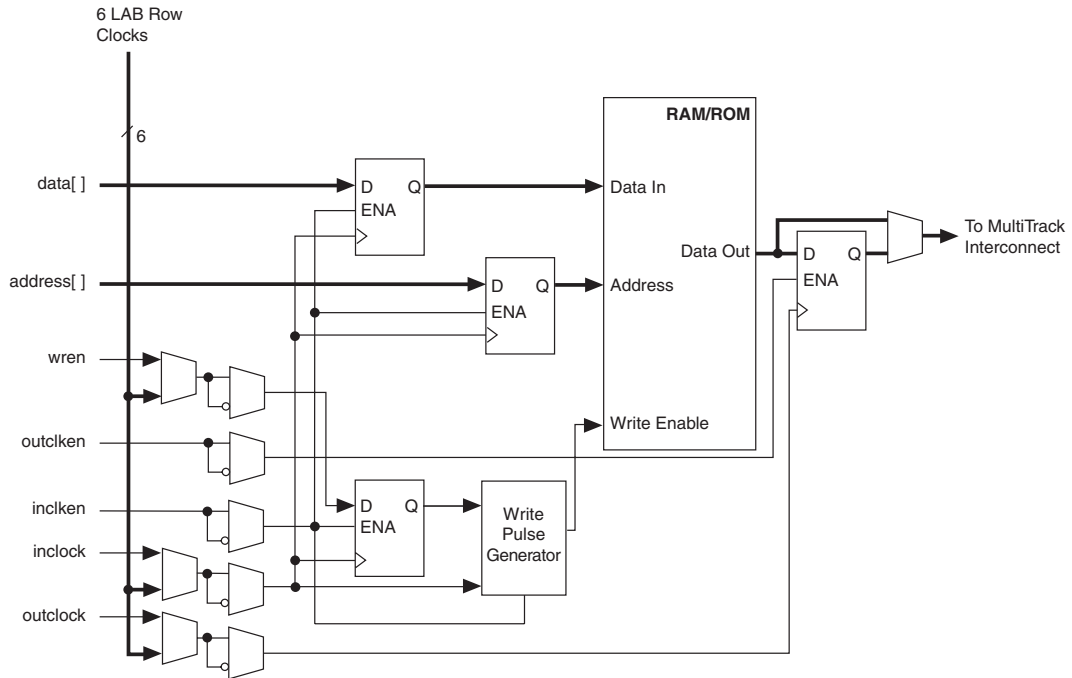
Notes to Figure 2–20:

- (1) All registers shown except the *rden* register have asynchronous clear ports.
- (2) Violating the setup or hold time on the address registers could corrupt the memory contents. This applies to both read and write operations.

Single-Port Mode

The M4K memory blocks also support single-port mode, used when simultaneous reads and writes are not required. See [Figure 2–21](#). A single M4K memory block can support up to two single-port mode RAM blocks if each RAM block is less than or equal to 2K bits in size.

Figure 2–21. Single-Port Mode *Note (1)*



Note to Figure 2–21:

- (1) Violating the setup or hold time on the address registers could corrupt the memory contents. This applies to both read and write operations.

Global Clock Network and Phase-Locked Loops

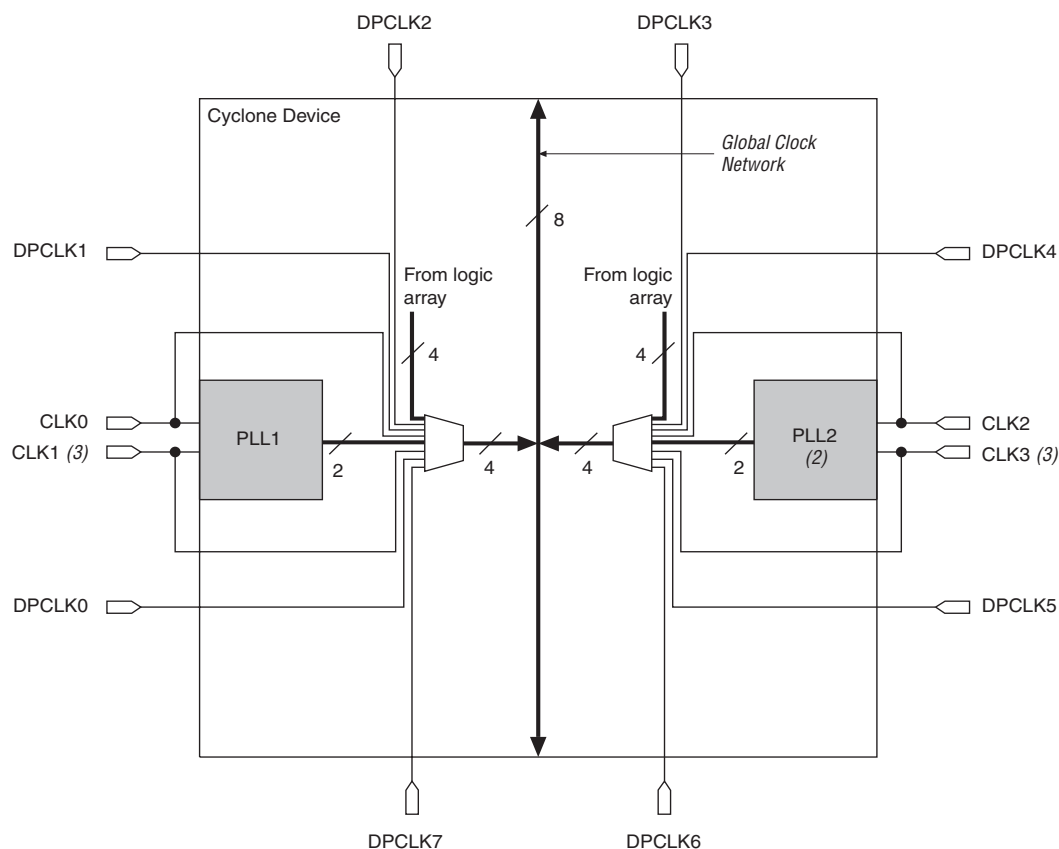
Cyclone devices provide a global clock network and up to two PLLs for a complete clock management solution.

Global Clock Network

There are four dedicated clock pins ($CLK[3..0]$, two pins on the left side and two pins on the right side) that drive the global clock network, as shown in [Figure 2–22](#). PLL outputs, logic array, and dual-purpose clock ($DPCLK[7..0]$) pins can also drive the global clock network.

The eight global clock lines in the global clock network drive throughout the entire device. The global clock network can provide clocks for all resources within the device—IOEs, LEs, and memory blocks. The global clock lines can also be used for control signals, such as clock enables and synchronous or asynchronous clears fed from the external pin, or DQS signals for DDR SDRAM or FCRAM interfaces. Internal logic can also drive the global clock network for internally generated global clocks and asynchronous clears, clock enables, or other control signals with large fanout. Figure 2-22 shows the various sources that drive the global clock network.

Figure 2-22. Global Clock Generation *Note (1)*



Notes to Figure 2-22:

- (1) The EP1C3 device in the 100-pin TQFP package has five DPCLK pins (DPCLK2, DPCLK3, DPCLK4, DPCLK6, and DPCLK7).
- (2) EP1C3 devices only contain one PLL (PLL 1).
- (3) The EP1C3 device in the 100-pin TQFP package does not have dedicated clock pins CLK1 and CLK3.

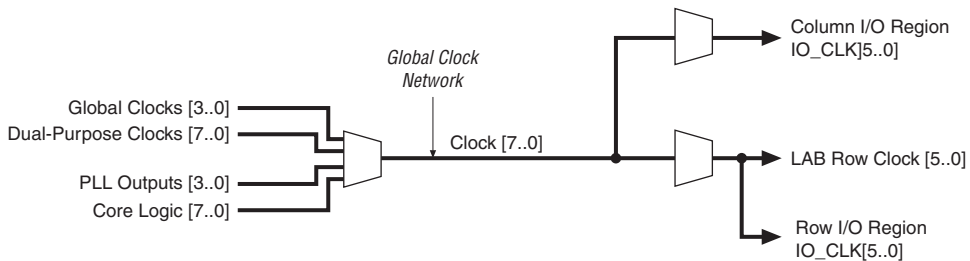
Dual-Purpose Clock Pins

Each Cyclone device except the EP1C3 device has eight dual-purpose clock pins, $DPCLK[7..0]$ (two on each I/O bank). EP1C3 devices have five $DPCLK$ pins in the 100-pin TQFP package. These dual-purpose pins can connect to the global clock network (see [Figure 2–22](#)) for high-fanout control signals such as clocks, asynchronous clears, presets, and clock enables, or protocol control signals such as $TRDY$ and $IRDY$ for PCI, or DQS signals for external memory interfaces.

Combined Resources

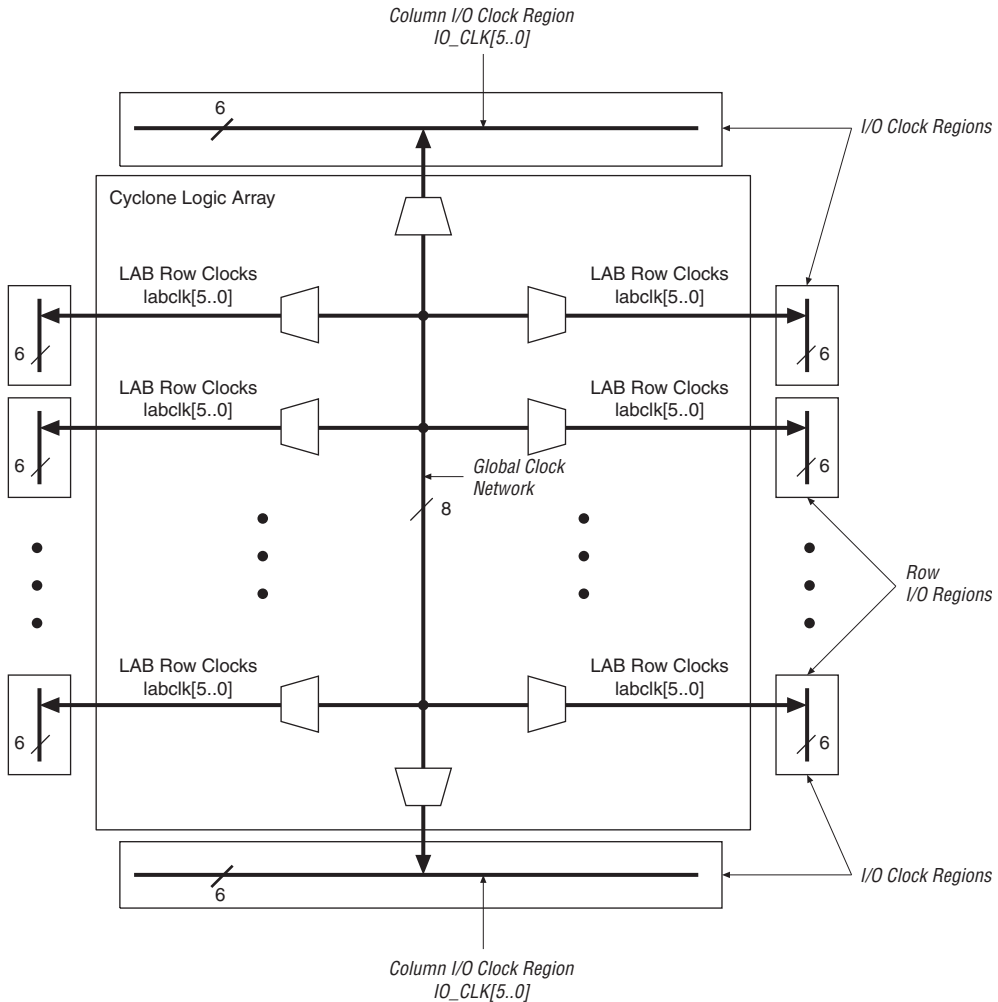
Each Cyclone device contains eight distinct dedicated clocking resources. The device uses multiplexers with these clocks to form six-bit buses to drive LAB row clocks, column IOE clocks, or row IOE clocks. See [Figure 2–23](#). Another multiplexer at the LAB level selects two of the six LAB row clocks to feed the LE registers within the LAB.

Figure 2–23. Global Clock Network Multiplexers



IOE clocks have row and column block regions. Six of the eight global clock resources feed to these row and column regions. [Figure 2–24](#) shows the I/O clock regions.

Figure 2–24. I/O Clock Regions



PLLs

Cyclone PLLs provide general-purpose clocking with clock multiplication and phase shifting as well as outputs for differential I/O support. Cyclone devices contain two PLLs, except for the EP1C3 device, which contains one PLL.

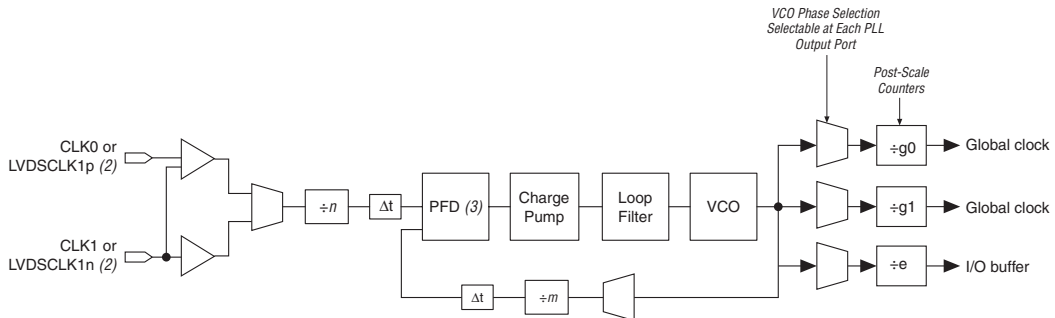
Table 2–6 shows the PLL features in Cyclone devices. Figure 2–25 shows a Cyclone PLL.

| Feature | PLL Support |
|-----------------------------------|--|
| Clock multiplication and division | $m/(n \times \text{post-scale counter})$ (1) |
| Phase shift | Down to 125-ps increments (2), (3) |
| Programmable duty cycle | Yes |
| Number of internal clock outputs | 2 |
| Number of external clock outputs | One differential or one single-ended (4) |

Notes to Table 2–6:

- (1) The m counter ranges from 2 to 32. The n counter and the post-scale counters range from 1 to 32.
- (2) The smallest phase shift is determined by the voltage-controlled oscillator (VCO) period divided by 8.
- (3) For degree increments, Cyclone devices can shift all output frequencies in increments of 45°. Smaller degree increments are possible depending on the frequency and divide parameters.
- (4) The EP1C3 device in the 100-pin TQFP package does not support external clock output. The EP1C6 device in the 144-pin TQFP package does not support external clock output from PLL2.

Figure 2–25. Cyclone PLL Note (1)

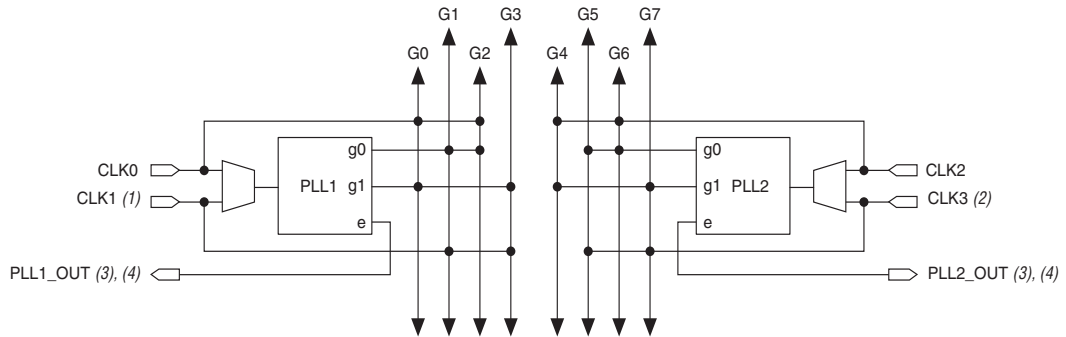


Notes to Figure 2–25:

- (1) The EP1C3 device in the 100-pin TQFP package does not support external outputs or LVDS inputs. The EP1C6 device in the 144-pin TQFP package does not support external output from PLL2.
- (2) LVDS input is supported via the secondary function of the dedicated clock pins. For PLL 1, the CLK0 pin's secondary function is LVDSCLK1p and the CLK1 pin's secondary function is LVDSCLK1n. For PLL 2, the CLK2 pin's secondary function is LVDSCLK2p and the CLK3 pin's secondary function is LVDSCLK2n.
- (3) PFD: phase frequency detector.

Figure 2–26 shows the PLL global clock connections.

Figure 2–26. Cyclone PLL Global Clock Connections



Notes to Figure 2–26:

- (1) PLL 1 supports one single-ended or LVDS input via pins CLK0 and CLK1.
- (2) PLL 2 supports one single-ended or LVDS input via pins CLK2 and CLK3.
- (3) PLL1_OUT and PLL2_OUT support single-ended or LVDS output. If external output is not required, these pins are available as regular user I/O pins.
- (4) The EP1C3 device in the 100-pin TQFP package does not support external clock output. The EP1C6 device in the 144-pin TQFP package does not support external clock output from PLL2.

Table 2–7 shows the global clock network sources available in Cyclone devices.

Table 2–7. Global Clock Network Sources (Part 1 of 2)

| Source | | GCLK0 | GCLK1 | GCLK2 | GCLK3 | GCLK4 | GCLK5 | GCLK6 | GCLK7 |
|----------------------------|-------------|-------|-------|-------|-------|-------|-------|-------|-------|
| PLL Counter Output | PLL1 G0 | — | ✓ | ✓ | — | — | — | — | — |
| | PLL1 G1 | ✓ | — | — | ✓ | — | — | — | — |
| | PLL2 G0 (1) | — | — | — | — | — | ✓ | ✓ | — |
| | PLL2 G1 (1) | — | — | — | — | ✓ | — | — | ✓ |
| Dedicated Clock Input Pins | CLK0 | ✓ | — | ✓ | — | — | — | — | — |
| | CLK1 (2) | — | ✓ | — | ✓ | — | — | — | — |
| | CLK2 | — | — | — | — | ✓ | — | ✓ | — |
| | CLK3 (2) | — | — | — | — | — | ✓ | — | ✓ |

Table 2–7. Global Clock Network Sources (Part 2 of 2)

| Source | | GCLK0 | GCLK1 | GCLK2 | GCLK3 | GCLK4 | GCLK5 | GCLK6 | GCLK7 |
|----------------------------|------------|-------|-------|-------|-------|-------|-------|-------|-------|
| Dual-Purpose Clock Pins | DPCLK0 (3) | — | — | — | ✓ | — | — | — | — |
| | DPCLK1 (3) | — | — | ✓ | — | — | — | — | — |
| | DPCLK2 | ✓ | — | — | — | — | — | — | — |
| | DPCLK3 | — | — | — | — | ✓ | — | — | — |
| | DPCLK4 | — | — | — | — | — | — | ✓ | — |
| | DPCLK5 (3) | — | — | — | — | — | — | — | ✓ |
| | DPCLK6 | — | — | — | — | — | ✓ | — | — |
| | DPCLK7 | — | ✓ | — | — | — | — | — | — |

Notes to Table 2–7:

- (1) EP1C3 devices only have one PLL (PLL 1).
- (2) EP1C3 devices in the 100-pin TQFP package do not have dedicated clock pins CLK1 and CLK3.
- (3) EP1C3 devices in the 100-pin TQFP package do not have the DPCLK0, DPCLK1, or DPCLK5 pins.

Clock Multiplication and Division

Cyclone PLLs provide clock synthesis for PLL output ports using $m/(n \times \text{post scale counter})$ scaling factors. The input clock is divided by a pre-scale divider, n , and is then multiplied by the m feedback factor. The control loop drives the VCO to match $f_{IN} \times (m/n)$. Each output port has a unique post-scale counter to divide down the high-frequency VCO. For multiple PLL outputs with different frequencies, the VCO is set to the least-common multiple of the output frequencies that meets its frequency specifications. Then, the post-scale dividers scale down the output frequency for each output port. For example, if the output frequencies required from one PLL are 33 and 66 MHz, the VCO is set to 330 MHz (the least-common multiple in the VCO's range).

Each PLL has one pre-scale divider, n , that can range in value from 1 to 32. Each PLL also has one multiply divider, m , that can range in value from 2 to 32. Global clock outputs have two post scale G dividers for global clock outputs, and external clock outputs have an E divider for external clock output, both ranging from 1 to 32. The Quartus II software automatically chooses the appropriate scaling factors according to the input frequency, multiplication, and division values entered.

External Clock Inputs

Each PLL supports single-ended or differential inputs for source-synchronous receivers or for general-purpose use. The dedicated clock pins (CLK [3 . . 0]) feed the PLL inputs. These dual-purpose pins can also act as LVDS input pins. See [Figure 2-25](#).

[Table 2-8](#) shows the I/O standards supported by PLL input and output pins.

| I/O Standard | CLK Input | EXTCLK Output |
|---------------------|-----------|---------------|
| 3.3-V LVTTTL/LVCMOS | ✓ | ✓ |
| 2.5-V LVTTTL/LVCMOS | ✓ | ✓ |
| 1.8-V LVTTTL/LVCMOS | ✓ | ✓ |
| 1.5-V LVCMOS | ✓ | ✓ |
| 3.3-V PCI | ✓ | ✓ |
| LVDS | ✓ | ✓ |
| SSTL-2 class I | ✓ | ✓ |
| SSTL-2 class II | ✓ | ✓ |
| SSTL-3 class I | ✓ | ✓ |
| SSTL-3 class II | ✓ | ✓ |
| Differential SSTL-2 | — | ✓ |

For more information on LVDS I/O support, refer to “LVDS I/O Pins” on [page 2-54](#).

External Clock Outputs

Each PLL supports one differential or one single-ended output for source-synchronous transmitters or for general-purpose external clocks. If the PLL does not use these PLL_OUT pins, the pins are available for use as general-purpose I/O pins. The PLL_OUT pins support all I/O standards shown in [Table 2-8](#).

The external clock outputs do not have their own V_{CC} and ground voltage supplies. Therefore, to minimize jitter, do not place switching I/O pins next to these output pins. The EP1C3 device in the 100-pin TQFP package

does not have dedicated clock output pins. The EP1C6 device in the 144-pin TQFP package only supports dedicated clock outputs from PLL 1.

Clock Feedback

Cyclone PLLs have three modes for multiplication and/or phase shifting:

- Zero delay buffer mode—The external clock output pin is phase-aligned with the clock input pin for zero delay.
- Normal mode—If the design uses an internal PLL clock output, the normal mode compensates for the internal clock delay from the input clock pin to the IOE registers. The external clock output pin is phase shifted with respect to the clock input pin if connected in this mode. You defines which internal clock output from the PLL should be phase-aligned to compensate for internal clock delay.
- No compensation mode—In this mode, the PLL will not compensate for any clock networks.

Phase Shifting

Cyclone PLLs have an advanced clock shift capability that enables programmable phase shifts. You can enter a phase shift (in degrees or time units) for each PLL clock output port or for all outputs together in one shift. You can perform phase shifting in time units with a resolution range of 125 to 250 ps. The finest resolution equals one eighth of the VCO period. The VCO period is a function of the frequency input and the multiplication and division factors. Each clock output counter can choose a different phase of the VCO period from up to eight taps. You can use this clock output counter along with an initial setting on the post-scale counter to achieve a phase-shift range for the entire period of the output clock. The phase tap feedback to the m counter can shift all outputs to a single phase. The Quartus II software automatically sets the phase taps and counter settings according to the phase shift entered.

Lock Detect Signal

The lock output indicates that there is a stable clock output signal in phase with the reference clock. Without any additional circuitry, the lock signal may toggle as the PLL begins tracking the reference clock. Therefore, you may need to gate the lock signal for use as a system-control signal. For correct operation of the lock circuit below -20 C , $f_{\text{IN}/N} > 200\text{ MHz}$.

Programmable Duty Cycle

The programmable duty cycle allows PLLs to generate clock outputs with a variable duty cycle. This feature is supported on each PLL post-scale counter (g0, g1, e). The duty cycle setting is achieved by a low- and high-time count setting for the post-scale dividers. The Quartus II software uses the frequency input and the required multiply or divide rate to determine the duty cycle choices.

Control Signals

There are three control signals for clearing and enabling PLLs and their outputs. You can use these signals to control PLL resynchronization and the ability to gate PLL output clocks for low-power applications.

The `pllenable` signal enables and disables PLLs. When the `pllenable` signal is low, the clock output ports are driven by ground and all the PLLs go out of lock. When the `pllenable` signal goes high again, the PLLs relock and resynchronize to the input clocks. An input pin or LE output can drive the `pllenable` signal.

The `areset` signals are reset/resynchronization inputs for each PLL. Cyclone devices can drive these input signals from input pins or from LEs. When `areset` is driven high, the PLL counters will reset, clearing the PLL output and placing the PLL out of lock. When driven low again, the PLL will resynchronize to its input as it relocks.

The `pfdena` signals control the phase frequency detector (PFD) output with a programmable gate. If you disable the PFD, the VCO will operate at its last set value of control voltage and frequency with some drift, and the system will continue running when the PLL goes out of lock or the input clock disables. By maintaining the last locked frequency, the system has time to store its current settings before shutting down. You can either use their own control signal or gated locked status signals to trigger the `pfdena` signal.



For more information about Cyclone PLLs, refer to *Using PLLs in Cyclone Devices* chapter in the *Cyclone Device Handbook*.

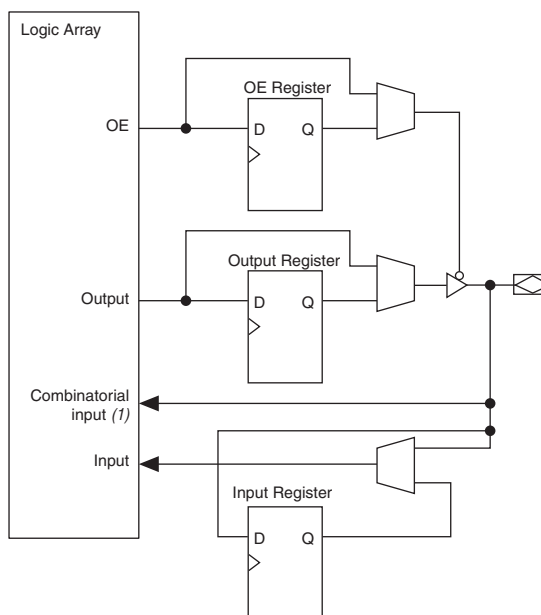
I/O Structure

IOEs support many features, including:

- Differential and single-ended I/O standards
- 3.3-V, 64- and 32-bit, 66- and 33-MHz PCI compliance
- Joint Test Action Group (JTAG) boundary-scan test (BST) support
- Output drive strength control
- Weak pull-up resistors during configuration
- Slew-rate control
- Tri-state buffers
- Bus-hold circuitry
- Programmable pull-up resistors in user mode
- Programmable input and output delays
- Open-drain outputs
- DQ and DQS I/O pins

Cyclone device IOEs contain a bidirectional I/O buffer and three registers for complete embedded bidirectional single data rate transfer.

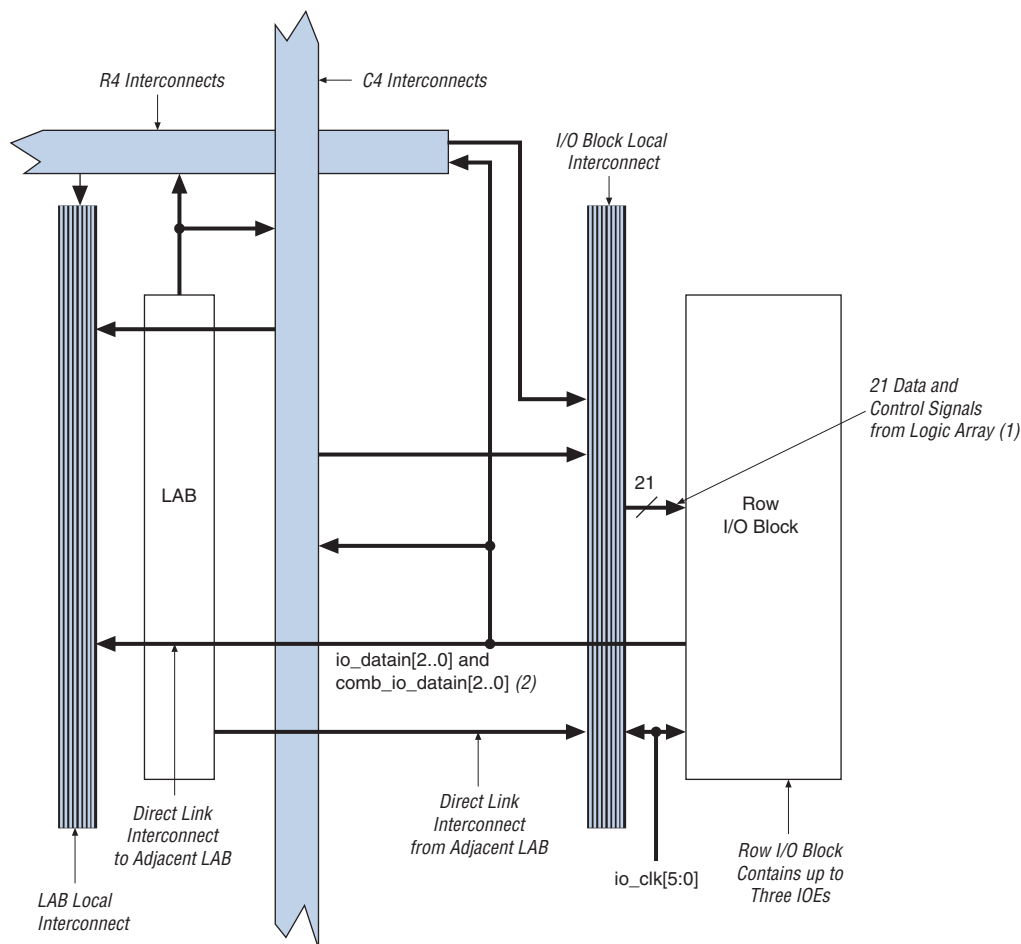
Figure 2–27 shows the Cyclone IOE structure. The IOE contains one input register, one output register, and one output enable register. You can use the input registers for fast setup times and output registers for fast clock-to-output times. Additionally, you can use the output enable (OE) register for fast clock-to-output enable timing. The Quartus II software automatically duplicates a single OE register that controls multiple output or bidirectional pins. IOEs can be used as input, output, or bidirectional pins.

Figure 2–27. Cyclone IOE Structure**Note to Figure 2–27:**

- (1) There are two paths available for combinatorial inputs to the logic array. Each path contains a unique programmable delay chain.

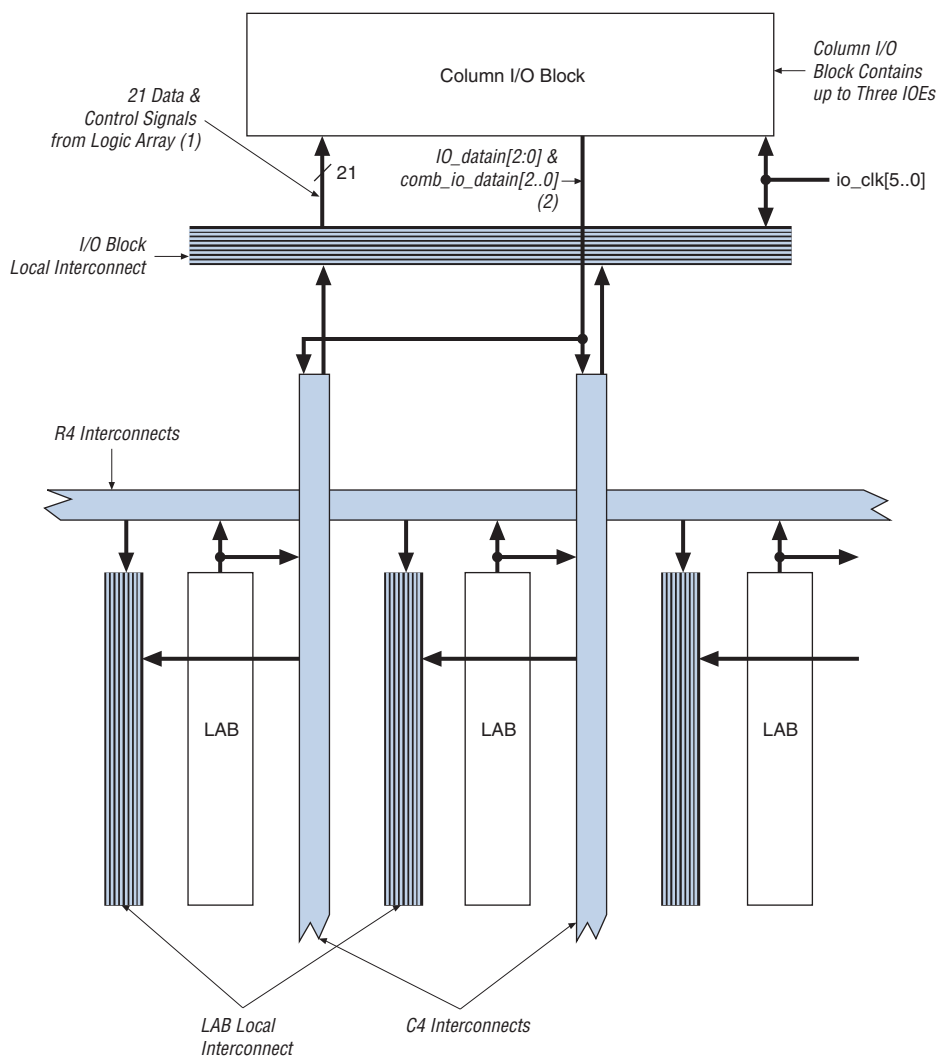
The IOEs are located in I/O blocks around the periphery of the Cyclone device. There are up to three IOEs per row I/O block and up to three IOEs per column I/O block (column I/O blocks span two columns). The row I/O blocks drive row, column, or direct link interconnects. The column I/O blocks drive column interconnects. [Figure 2–28](#) shows how a row I/O block connects to the logic array. [Figure 2–29](#) shows how a column I/O block connects to the logic array.

Figure 2–28. Row I/O Block Connection to the Interconnect

**Notes to Figure 2–28:**

- (1) The 21 data and control signals consist of three data out lines, `io_dataout[2..0]`, three output enables, `io_coe[2..0]`, three input clock enables, `io_cce_in[2..0]`, three output clock enables, `io_cce_out[2..0]`, three clocks, `io_clk[2..0]`, three asynchronous clear signals, `io_caclr[2..0]`, and three synchronous clear signals, `io_csclr[2..0]`.
- (2) Each of the three IOEs in the row I/O block can have one `io_datain` input (combinatorial or registered) and one `comb_io_datain` (combinatorial) input.

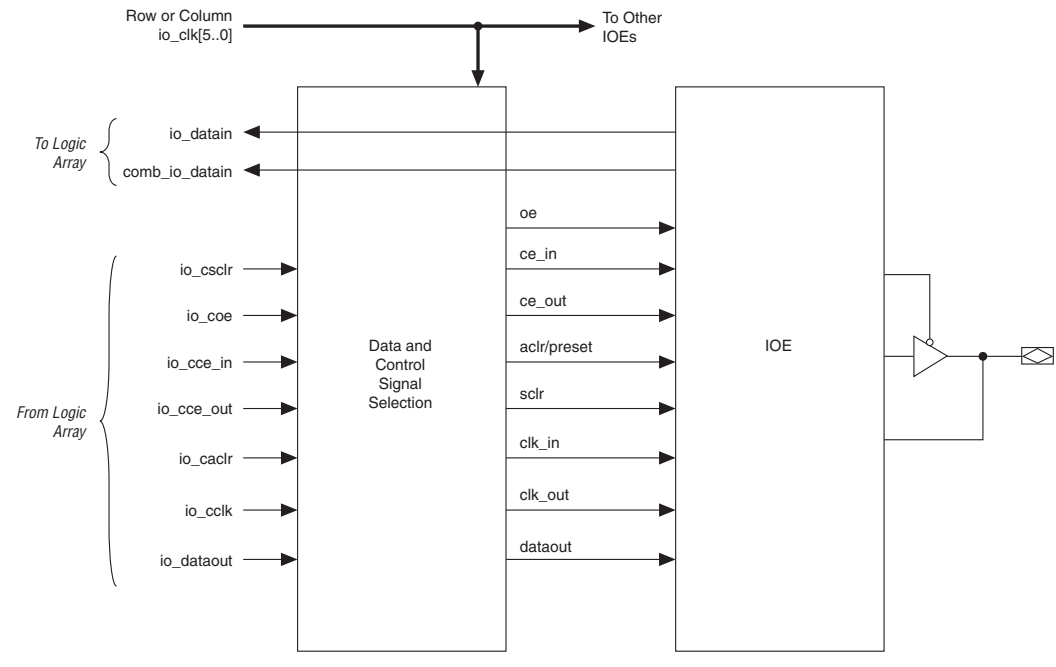
Figure 2–29. Column I/O Block Connection to the Interconnect

**Notes to Figure 2–29:**

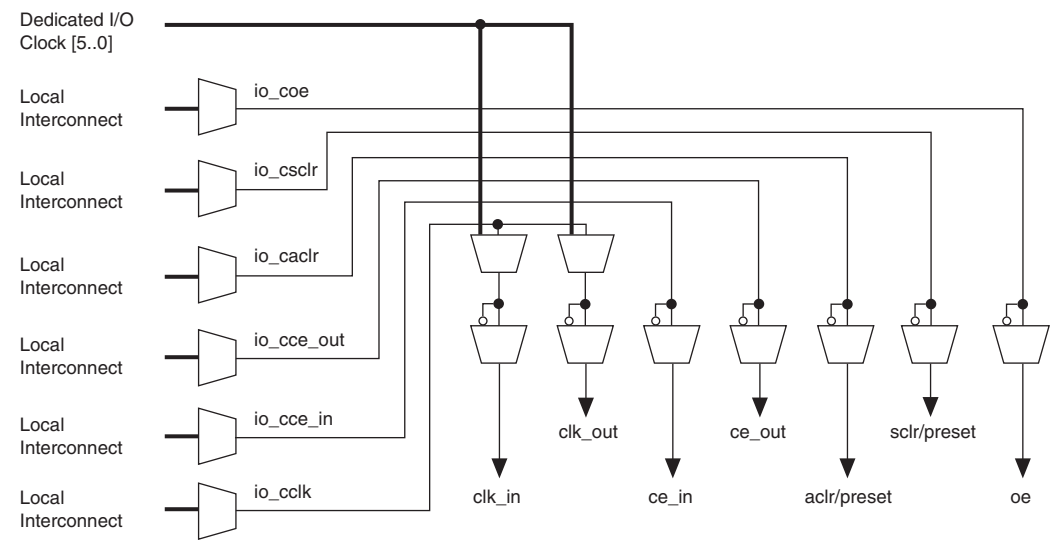
- (1) The 21 data and control signals consist of three data out lines, `io_dataout[2..0]`, three output enables, `io_coe[2..0]`, three input clock enables, `io_cce_in[2..0]`, three output clock enables, `io_cce_out[2..0]`, three clocks, `io_cclk[2..0]`, three asynchronous clear signals, `io_caclr[2..0]`, and three synchronous clear signals, `io_csclr[2..0]`.
- (2) Each of the three IOEs in the column I/O block can have one `io_datain` input (combinatorial or registered) and one `comb_io_datain` (combinatorial) input.

The pin's datain signals can drive the logic array. The logic array drives the control and data signals, providing a flexible routing resource. The row or column IOE clocks, `io_clk[5..0]`, provide a dedicated routing resource for low-skew, high-speed clocks. The global clock network generates the IOE clocks that feed the row or column I/O regions (see “Global Clock Network and Phase-Locked Loops” on page 2–29). Figure 2–30 illustrates the signal paths through the I/O block.

Figure 2–30. Signal Path through the I/O Block



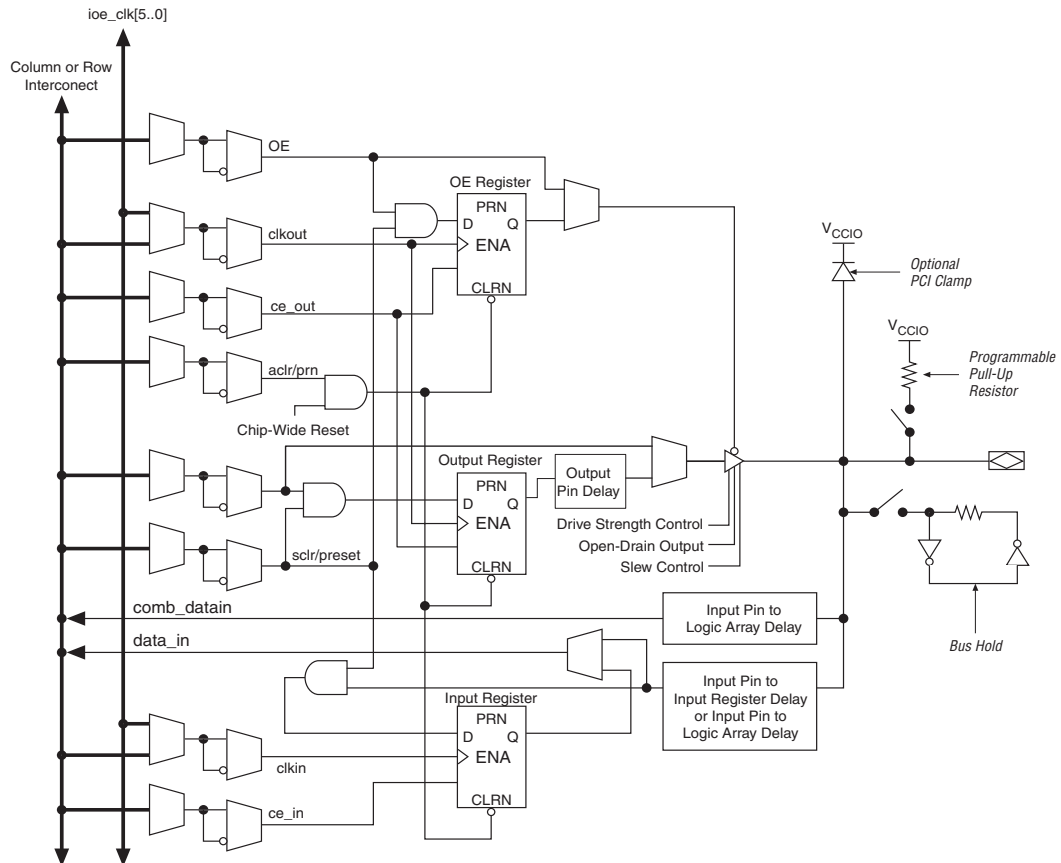
Each IOE contains its own control signal selection for the following control signals: `oe`, `ce_in`, `ce_out`, `aclr/preset`, `sclr/preset`, `clk_in`, and `clk_out`. Figure 2–31 illustrates the control signal selection.

Figure 2–31. Control Signal Selection per IOE

In normal bidirectional operation, you can use the input register for input data requiring fast setup times. The input register can have its own clock input and clock enable separate from the OE and output registers. The output register can be used for data requiring fast clock-to-output performance. The OE register is available for fast clock-to-output enable timing. The OE and output register share the same clock source and the same clock enable source from the local interconnect in the associated LAB, dedicated I/O clocks, or the column and row interconnects.

Figure 2–32 shows the IOE in bidirectional configuration.

Figure 2–32. Cyclone IOE in Bidirectional I/O Configuration



The Cyclone device IOE includes programmable delays to ensure zero hold times, minimize setup times, or increase clock to output times.

A path in which a pin directly drives a register may require a programmable delay to ensure zero hold time, whereas a path in which a pin drives a register through combinatorial logic may not require the delay. Programmable delays decrease input-pin-to-logic-array and IOE input register delays. The Quartus II Compiler can program these delays

to automatically minimize setup time while providing a zero hold time. Programmable delays can increase the register-to-pin delays for output registers. Table 2–9 shows the programmable delays for Cyclone devices.

| Programmable Delays | Quartus II Logic Option |
|-----------------------------------|---|
| Input pin to logic array delay | Decrease input delay to internal cells |
| Input pin to input register delay | Decrease input delay to input registers |
| Output pin delay | Increase delay to output pin |

There are two paths in the IOE for a combinatorial input to reach the logic array. Each of the two paths can have a different delay. This allows you adjust delays from the pin to internal LE registers that reside in two different areas of the device. The designer sets the two combinatorial input delays by selecting different delays for two different paths under the **Decrease input delay to internal cells** logic option in the Quartus II software. When the input signal requires two different delays for the combinatorial input, the input register in the IOE is no longer available.

The IOE registers in Cyclone devices share the same source for clear or preset. The designer can program preset or clear for each individual IOE. The designer can also program the registers to power up high or low after configuration is complete. If programmed to power up low, an asynchronous clear can control the registers. If programmed to power up high, an asynchronous preset can control the registers. This feature prevents the inadvertent activation of another device's active-low input upon power up. If one register in an IOE uses a preset or clear signal then all registers in the IOE must use that same signal if they require preset or clear. Additionally a synchronous reset signal is available to the designer for the IOE registers.

External RAM Interfacing

Cyclone devices support DDR SDRAM and FCRAM interfaces at up to 133 MHz through dedicated circuitry.

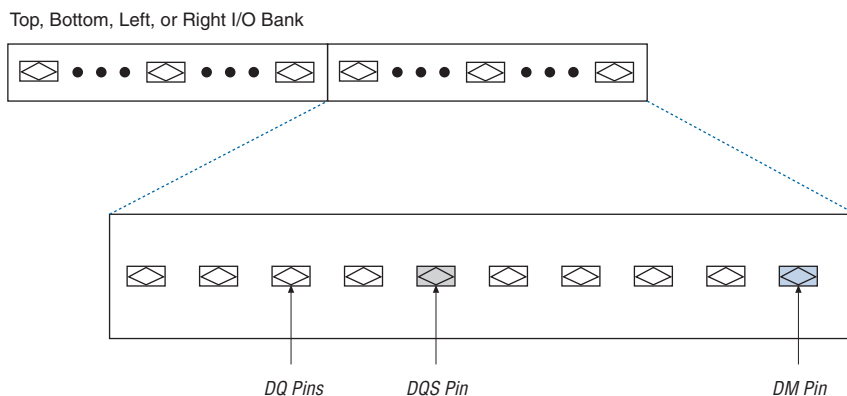
DDR SDRAM and FCRAM

Cyclone devices have dedicated circuitry for interfacing with DDR SDRAM. All I/O banks support DDR SDRAM and FCRAM I/O pins. However, the configuration input pins in bank 1 must operate at 2.5 V because the SSTL-2 V_{CCIO} level is 2.5 V. Additionally, the configuration

output pins (`nSTATUS` and `CONF_DONE`) and all the JTAG pins in I/O bank 3 must operate at 2.5 V because the V_{CCIO} level of SSTL-2 is 2.5 V. I/O banks 1, 2, 3, and 4 support DQS signals with DQ bus modes of $\times 8$.

For $\times 8$ mode, there are up to eight groups of programmable DQS and DQ pins, I/O banks 1, 2, 3, and 4 each have two groups in the 324-pin and 400-pin FineLine BGA packages. Each group consists of one DQS pin, a set of eight DQ pins, and one DM pin (see Figure 2–33). Each DQS pin drives the set of eight DQ pins within that group.

Figure 2–33. Cyclone Device DQ and DQS Groups in $\times 8$ Mode *Note (1)*



Note to Figure 2–33:

(1) Each DQ group consists of one DQS pin, eight DQ pins, and one DM pin.

Table 2–10 shows the number of DQ pin groups per device.

| Device | Package | Number of $\times 8$ DQ Pin Groups | Total DQ Pin Count |
|--------|----------------------|------------------------------------|--------------------|
| EP1C3 | 100-pin TQFP (1) | 3 | 24 |
| | 144-pin TQFP | 4 | 32 |
| EP1C4 | 324-pin FineLine BGA | 8 | 64 |
| | 400-pin FineLine BGA | 8 | 64 |

| Device | Package | Number of × 8 DQ Pin Groups | Total DQ Pin Count |
|---------------|----------------------|------------------------------------|---------------------------|
| EP1C6 | 144-pin TQFP | 4 | 32 |
| | 240-pin PQFP | 4 | 32 |
| | 256-pin FineLine BGA | 4 | 32 |
| EP1C12 | 240-pin PQFP | 4 | 32 |
| | 256-pin FineLine BGA | 4 | 32 |
| | 324-pin FineLine BGA | 8 | 64 |
| EP1C20 | 324-pin FineLine BGA | 8 | 64 |
| | 400-pin FineLine BGA | 8 | 64 |

Note to Table 2–10:

- (1) EP1C3 devices in the 100-pin TQFP package do not have any DQ pin groups in I/O bank 1.

A programmable delay chain on each DQS pin allows for either a 90° phase shift (for DDR SDRAM), or a 72° phase shift (for FCRAM) which automatically center-aligns input DQS synchronization signals within the data window of their corresponding DQ data signals. The phase-shifted DQS signals drive the global clock network. This global DQS signal clocks DQ signals on internal LE registers.

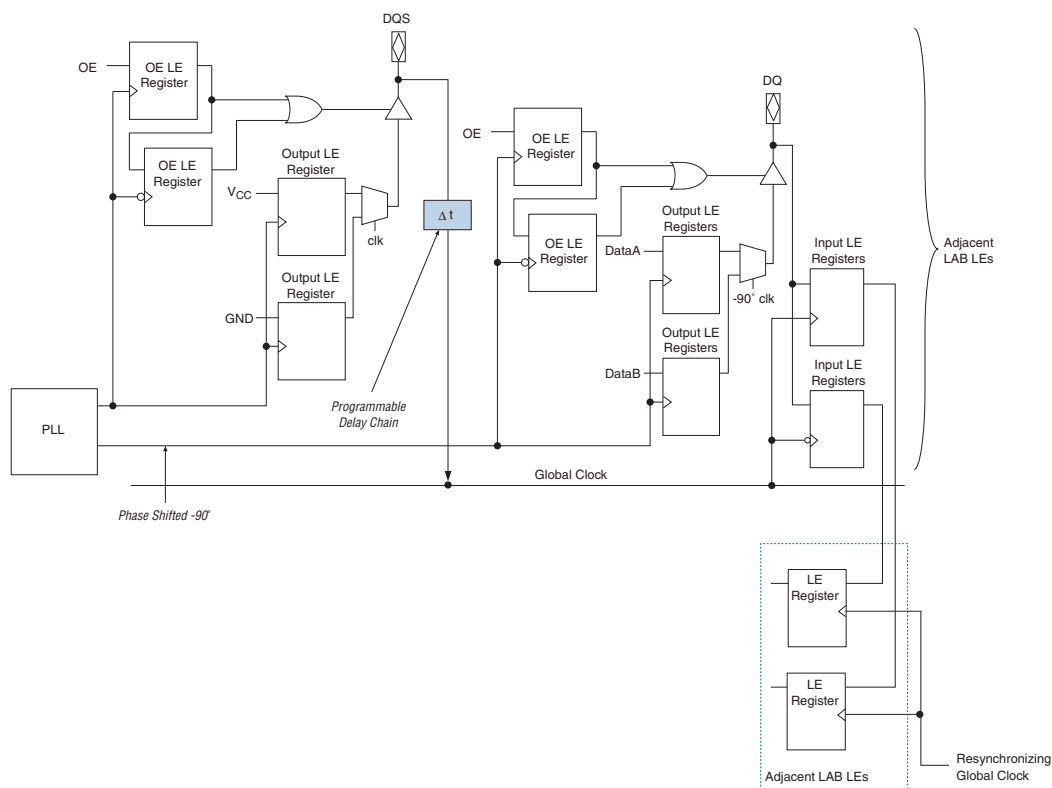
These DQS delay elements combine with the PLL's clocking and phase shift ability to provide a complete hardware solution for interfacing to high-speed memory.

The clock phase shift allows the PLL to clock the DQ output enable and output paths. The designer should use the following guidelines to meet 133 MHz performance for DDR SDRAM and FCRAM interfaces:

- The DQS signal must be in the middle of the DQ group it clocks
- Resynchronize the incoming data to the logic array clock using successive LE registers or FIFO buffers
- LE registers must be placed in the LAB adjacent to the DQ I/O pin column it is fed by

Figure 2–34 illustrates DDR SDRAM and FCRAM interfacing from the I/O through the dedicated circuitry to the logic array.

Figure 2–34. DDR SDRAM and FCRAM Interfacing



Programmable Drive Strength

The output buffer for each Cyclone device I/O pin has a programmable drive strength control for certain I/O standards. The LVTTTL and LVCMOS standards have several levels of drive strength that the designer can control. SSTL-3 class I and II, and SSTL-2 class I and II support a minimum setting, the lowest drive strength that guarantees the I_{OH}/I_{OL}

of the standard. Using minimum settings provides signal slew rate control to reduce system noise and signal overshoot. Table 2–11 shows the possible settings for the I/O standards with drive strength control.

Table 2–11. Programmable Drive Strength *Note (1)*

| I/O Standard | I _{OH} /I _{OL} Current Strength Setting (mA) |
|----------------|--|
| LVTTTL (3.3 V) | 4 |
| | 8 |
| | 12 |
| | 16 |
| | 24(2) |
| LVCMOS (3.3 V) | 2 |
| | 4 |
| | 8 |
| | 12(2) |
| LVTTTL (2.5 V) | 2 |
| | 8 |
| | 12 |
| | 16(2) |
| LVTTTL (1.8 V) | 2 |
| | 8 |
| | 12(2) |
| LVCMOS (1.5 V) | 2 |
| | 4 |
| | 8(2) |

Notes to Table 2–11:

- (1) SSTL-3 class I and II, SSTL-2 class I and II, and 3.3-V PCI I/O Standards do not support programmable drive strength.
- (2) This is the default current strength setting in the Quartus II software.

Open-Drain Output

Cyclone devices provide an optional open-drain (equivalent to an open-collector) output for each I/O pin. This open-drain output enables the device to provide system-level control signals (e.g., interrupt and write-enable signals) that can be asserted by any of several devices.

Slew-Rate Control

The output buffer for each Cyclone device I/O pin has a programmable output slew-rate control that can be configured for low noise or high-speed performance. A faster slew rate provides high-speed transitions for high-performance systems. However, these fast transitions may introduce noise transients into the system. A slow slew rate reduces system noise, but adds a nominal delay to rising and falling edges. Each I/O pin has an individual slew-rate control, allowing the designer to specify the slew rate on a pin-by-pin basis. The slew-rate control affects both the rising and falling edges.

Bus Hold

Each Cyclone device I/O pin provides an optional bus-hold feature. The bus-hold circuitry can hold the signal on an I/O pin at its last-driven state. Since the bus-hold feature holds the last-driven state of the pin until the next input signal is present, an external pull-up or pull-down resistor is not necessary to hold a signal level when the bus is tri-stated.

The bus-hold circuitry also pulls undriven pins away from the input threshold voltage where noise can cause unintended high-frequency switching. The designer can select this feature individually for each I/O pin. The bus-hold output will drive no higher than V_{CCIO} to prevent overdriving signals. If the bus-hold feature is enabled, the device cannot use the programmable pull-up option. Disable the bus-hold feature when the I/O pin is configured for differential signals.

The bus-hold circuitry uses a resistor with a nominal resistance (RBH) of approximately 7 k Ω to pull the signal level to the last-driven state. [Table 4-15 on page 4-6](#) gives the specific sustaining current for each V_{CCIO} voltage level driven through this resistor and overdrive current used to identify the next-driven input level.

The bus-hold circuitry is only active after configuration. When going into user mode, the bus-hold circuit captures the value on the pin present at the end of configuration.

Programmable Pull-Up Resistor

Each Cyclone device I/O pin provides an optional programmable pull-up resistor during user mode. If the designer enables this feature for an I/O pin, the pull-up resistor (typically 25 k Ω) holds the output to the V_{CCIO} level of the output pin's bank. Dedicated clock pins do not have the optional programmable pull-up resistor.

Advanced I/O Standard Support

Cyclone device IOEs support the following I/O standards:

- 3.3-V LVTTTL/LVCMOS
- 2.5-V LVTTTL/LVCMOS
- 1.8-V LVTTTL/LVCMOS
- 1.5-V LVCMOS
- 3.3-V PCI
- LVDS
- RSDS
- SSTL-2 class I and II
- SSTL-3 class I and II
- Differential SSTL-2 class II (on output clocks only)

Table 2–12 describes the I/O standards supported by Cyclone devices.

| I/O Standard | Type | Input Reference Voltage (V_{REF}) (V) | Output Supply Voltage (V_{CCIO}) (V) | Board Termination Voltage (V_{TT}) (V) |
|-------------------------|--------------------|---|--|--|
| 3.3-V LVTTTL/LVCMOS | Single-ended | N/A | 3.3 | N/A |
| 2.5-V LVTTTL/LVCMOS | Single-ended | N/A | 2.5 | N/A |
| 1.8-V LVTTTL/LVCMOS | Single-ended | N/A | 1.8 | N/A |
| 1.5-V LVCMOS | Single-ended | N/A | 1.5 | N/A |
| 3.3-V PCI (1) | Single-ended | N/A | 3.3 | N/A |
| LVDS (2) | Differential | N/A | 2.5 | N/A |
| RSDS (2) | Differential | N/A | 2.5 | N/A |
| SSTL-2 class I and II | Voltage-referenced | 1.25 | 2.5 | 1.25 |
| SSTL-3 class I and II | Voltage-referenced | 1.5 | 3.3 | 1.5 |
| Differential SSTL-2 (3) | Differential | 1.25 | 2.5 | 1.25 |

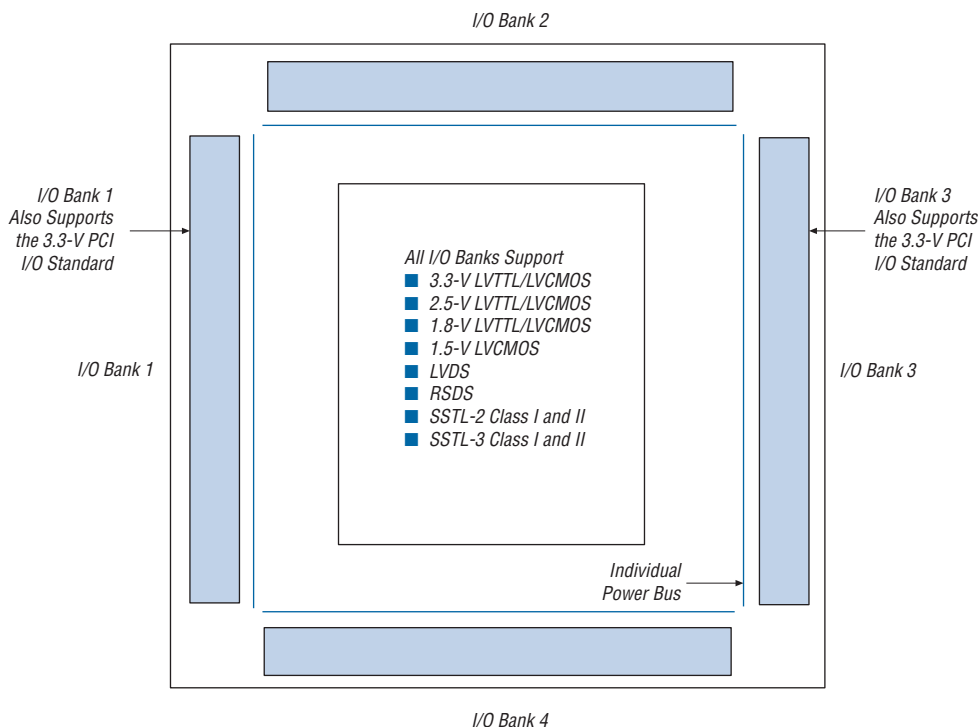
Notes to Table 2–12:

- (1) There is no megafunction support for EP1C3 devices for the PCI compiler. However, EP1C3 devices support PCI by using the LVTTTL 16-mA I/O standard and drive strength assignments in the Quartus II software. The device requires an external diode for PCI compliance.
- (2) EP1C3 devices in the 100-pin TQFP package do not support the LVDS and RSDS I/O standards.
- (3) This I/O standard is only available on output clock pins (`PLL_OUT` pins). EP1C3 devices in the 100-pin package do not support this I/O standard as it does not have `PLL_OUT` pins.

Cyclone devices contain four I/O banks, as shown in Figure 2–35. I/O banks 1 and 3 support all the I/O standards listed in Table 2–12. I/O banks 2 and 4 support all the I/O standards listed in Table 2–12 except the 3.3-V PCI standard. I/O banks 2 and 4 contain dual-purpose DQS, DQ,

and DM pins to support a DDR SDRAM or FCRAM interface. I/O bank 1 can also support a DDR SDRAM or FCRAM interface, however, the configuration input pins in I/O bank 1 must operate at 2.5 V. I/O bank 3 can also support a DDR SDRAM or FCRAM interface, however, all the JTAG pins in I/O bank 3 must operate at 2.5 V.

Figure 2–35. Cyclone I/O Banks Notes (1), (2)



Notes to Figure 2–35:

- (1) Figure 2–35 is a top view of the silicon die.
- (2) Figure 2–35 is a graphic representation only. Refer to the pin list and the Quartus II software for exact pin locations.

Each I/O bank has its own V_{CCIO} pins. A single device can support 1.5-V, 1.8-V, 2.5-V, and 3.3-V interfaces; each individual bank can support a different standard with different I/O voltages. Each bank also has dual-purpose V_{REF} pins to support any one of the voltage-referenced standards (e.g., SSTL-3) independently. If an I/O bank does not use voltage-referenced standards, the V_{REF} pins are available as user I/O pins.

Each I/O bank can support multiple standards with the same V_{CCIO} for input and output pins. For example, when V_{CCIO} is 3.3-V, a bank can support LVTTTL, LVCMOS, 3.3-V PCI, and SSTL-3 for inputs and outputs.

LVDS I/O Pins

A subset of pins in all four I/O banks supports LVDS interfacing. These dual-purpose LVDS pins require an external-resistor network at the transmitter channels in addition to 100- Ω termination resistors on receiver channels. These pins do not contain dedicated serialization or deserialization circuitry; therefore, internal logic performs serialization and deserialization functions.

Table 2–13 shows the total number of supported LVDS channels per device density.

| Device | Pin Count | Number of LVDS Channels |
|--------|-----------|-------------------------|
| EP1C3 | 100 | (1) |
| | 144 | 34 |
| EP1C4 | 324 | 103 |
| | 400 | 129 |
| EP1C6 | 144 | 29 |
| | 240 | 72 |
| | 256 | 72 |
| EP1C12 | 240 | 66 |
| | 256 | 72 |
| | 324 | 103 |
| EP1C20 | 324 | 95 |
| | 400 | 129 |

Note to Table 2–13:

- (1) EP1C3 devices in the 100-pin TQFP package do not support the LVDS I/O standard.

MultiVolt I/O Interface

The Cyclone architecture supports the MultiVolt I/O interface feature, which allows Cyclone devices in all packages to interface with systems of different supply voltages. The devices have one set of V_{CC} pins for internal operation and input buffers (V_{CCINT}), and four sets for I/O output drivers (V_{CCIO}).

The Cyclone V_{CCINT} pins must always be connected to a 1.5-V power supply. If the V_{CCINT} level is 1.5 V, then input pins are 1.5-V, 1.8-V, 2.5-V, and 3.3-V tolerant. The V_{CCIO} pins can be connected to either a 1.5-V, 1.8-V, 2.5-V, or 3.3-V power supply, depending on the output requirements. The output levels are compatible with systems of the same voltage as the power supply (i.e., when V_{CCIO} pins are connected to a 1.5-V power supply, the output levels are compatible with 1.5-V systems). When V_{CCIO} pins are connected to a 3.3-V power supply, the output high is 3.3-V and is compatible with 3.3-V or 5.0-V systems. Table 2–14 summarizes Cyclone MultiVolt I/O support.

Table 2–14. Cyclone MultiVolt I/O Support Note (1)

| V_{CCIO} (V) | Input Signal | | | | | Output Signal | | | | |
|----------------|--------------|-------|-------|-------|-------|---------------|-------|-------|-------|-------|
| | 1.5 V | 1.8 V | 2.5 V | 3.3 V | 5.0 V | 1.5 V | 1.8 V | 2.5 V | 3.3 V | 5.0 V |
| 1.5 | ✓ | ✓ | ✓ (2) | ✓ (2) | — | ✓ | — | — | — | — |
| 1.8 | ✓ | ✓ | ✓ (2) | ✓ (2) | — | ✓ (3) | ✓ | — | — | — |
| 2.5 | — | — | ✓ | ✓ | — | ✓ (5) | ✓ (5) | ✓ | — | — |
| 3.3 | — | — | ✓ (4) | ✓ | ✓ (6) | ✓ (7) | ✓ (7) | ✓ (7) | ✓ | ✓ (8) |

Notes to Table 2–14:

- (1) The PCI clamping diode must be disabled to drive an input with voltages higher than V_{CCIO} .
- (2) When $V_{CCIO} = 1.5\text{-V}$ or 1.8-V and a 2.5-V or 3.3-V input signal feeds an input pin, higher pin leakage current is expected. Turn on **Allow voltage overdrive for LVTTTL / LVCMOS input pins** in the Assignments > Device > Device and Pin Options > Pin Placement tab when a device has this I/O combinations.
- (3) When $V_{CCIO} = 1.8\text{-V}$, a Cyclone device can drive a 1.5-V device with 1.8-V tolerant inputs.
- (4) When $V_{CCIO} = 3.3\text{-V}$ and a 2.5-V input signal feeds an input pin, the V_{CCIO} supply current will be slightly larger than expected.
- (5) When $V_{CCIO} = 2.5\text{-V}$, a Cyclone device can drive a 1.5-V or 1.8-V device with 2.5-V tolerant inputs.
- (6) Cyclone devices can be 5.0-V tolerant with the use of an external resistor and the internal PCI clamp diode.
- (7) When $V_{CCIO} = 3.3\text{-V}$, a Cyclone device can drive a 1.5-V, 1.8-V, or 2.5-V device with 3.3-V tolerant inputs.
- (8) When $V_{CCIO} = 3.3\text{-V}$, a Cyclone device can drive a device with 5.0-V LVTTTL inputs but not 5.0-V LVCMOS inputs.

Power Sequencing and Hot Socketing

Because Cyclone devices can be used in a mixed-voltage environment, they have been designed specifically to tolerate any possible power-up sequence. Therefore, the V_{CCIO} and V_{CCINT} power supplies may be powered in any order.

Signals can be driven into Cyclone devices before and during power up without damaging the device. In addition, Cyclone devices do not drive out during power up. Once operating conditions are reached and the device is configured, Cyclone devices operate as specified by the user.

Referenced Documents

This chapter references the following document:

- *Using PLLs in Cyclone Devices* chapter in the *Cyclone Device Handbook*

Document Revision History

Table 2–15 shows the revision history for this chapter.

| Date and Document Version | Changes Made | Summary of Changes |
|----------------------------------|---|---------------------------|
| May 2008 v1.6 | Minor textual and style changes. Added “Referenced Documents” section. | — |
| January 2007 v1.5 | <ul style="list-style-type: none"> ● Added document revision history. ● Updated Figures 2–17, 2–18, 2–19, 2–20, 2–21, and 2–32. | — |
| August 2005 v1.4 | Minor updates. | — |
| February 2005 v1.3 | <ul style="list-style-type: none"> ● Updated JTAG chain limits. Added test vector information. ● Corrected Figure 2-12. ● Added a note to Tables 2-17 through 2-21 regarding violating the setup or hold time. | — |
| October 2003 v1.2 | <ul style="list-style-type: none"> ● Updated phase shift information. ● Added 64-bit PCI support information. | — |
| September 2003 v1.1 | Updated LVDS data rates to 640 Mbps from 311 Mbps. | — |
| May 2003 v1.0 | Added document to Cyclone Device Handbook. | — |

IEEE Std. 1149.1 (JTAG) Boundary Scan Support

All Cyclone® devices provide JTAG BST circuitry that complies with the IEEE Std. 1149.1a-1990 specification. JTAG boundary-scan testing can be performed either before or after, but not during configuration. Cyclone devices can also use the JTAG port for configuration together with either the Quartus® II software or hardware using either Jam Files (.jam) or Jam Byte-Code Files (.jbc).

Cyclone devices support reconfiguring the I/O standard settings on the IOE through the JTAG BST chain. The JTAG chain can update the I/O standard for all input and output pins any time before or during user mode. Designers can use this ability for JTAG testing before configuration when some of the Cyclone pins drive or receive from other devices on the board using voltage-referenced standards. Since the Cyclone device might not be configured before JTAG testing, the I/O pins might not be configured for appropriate electrical standards for chip-to-chip communication. Programming those I/O standards via JTAG allows designers to fully test I/O connection to other devices.

The JTAG pins support 1.5-V/1.8-V or 2.5-V/3.3-V I/O standards. The TDO pin voltage is determined by the V_{CCIO} of the bank where it resides. The bank V_{CCIO} selects whether the JTAG inputs are 1.5-V, 1.8-V, 2.5-V, or 3.3-V compatible.

Cyclone devices also use the JTAG port to monitor the operation of the device with the SignalTap® II embedded logic analyzer. Cyclone devices support the JTAG instructions shown in [Table 3-1](#).

Table 3-1. Cyclone JTAG Instructions (Part 1 of 2)

| JTAG Instruction | Instruction Code | Description |
|------------------|------------------|---|
| SAMPLE/PRELOAD | 00 0000 0101 | Allows a snapshot of signals at the device pins to be captured and examined during normal device operation, and permits an initial data pattern to be output at the device pins. Also used by the SignalTap II embedded logic analyzer. |
| EXTEST (1) | 00 0000 0000 | Allows the external circuitry and board-level interconnects to be tested by forcing a test pattern at the output pins and capturing test results at the input pins. |
| BYPASS | 11 1111 1111 | Places the 1-bit bypass register between the TDI and TDO pins, which allows the BST data to pass synchronously through selected devices to adjacent devices during normal device operation. |

Table 3–1. Cyclone JTAG Instructions (Part 2 of 2)

| JTAG Instruction | Instruction Code | Description |
|---------------------------|------------------|--|
| USERCODE | 00 0000 0111 | Selects the 32-bit USERCODE register and places it between the TDI and TDO pins, allowing the USERCODE to be serially shifted out of TDO. |
| IDCODE | 00 0000 0110 | Selects the IDCODE register and places it between TDI and TDO, allowing the IDCODE to be serially shifted out of TDO. |
| HIGHZ (1) | 00 0000 1011 | Places the 1-bit bypass register between the TDI and TDO pins, which allows the BST data to pass synchronously through selected devices to adjacent devices during normal device operation, while tri-stating all of the I/O pins. |
| CLAMP (1) | 00 0000 1010 | Places the 1-bit bypass register between the TDI and TDO pins, which allows the BST data to pass synchronously through selected devices to adjacent devices during normal device operation while holding I/O pins to a state defined by the data in the boundary-scan register. |
| ICR instructions | — | Used when configuring a Cyclone device via the JTAG port with a MasterBlaster™ or ByteBlasterMV™ download cable, or when using a Jam File or Jam Byte-Code File via an embedded processor. |
| PULSE_NCONFIG | 00 0000 0001 | Emulates pulsing the nCONFIG pin low to trigger reconfiguration even though the physical pin is unaffected. |
| CONFIG_IO | 00 0000 1101 | Allows configuration of I/O standards through the JTAG chain for JTAG testing. Can be executed before, after, or during configuration. Stops configuration if executed during configuration. Once issued, the CONFIG_IO instruction will hold nSTATUS low to reset the configuration device. nSTATUS is held low until the device is reconfigured. |
| SignalTap II instructions | — | Monitors internal device operation with the SignalTap II embedded logic analyzer. |

Note to Table 3–1:

- (1) Bus hold and weak pull-up resistor features override the high-impedance state of HIGHZ, CLAMP, and EXTEST.

In the Quartus II software, there is an Auto Usercode feature where you can choose to use the checksum value of a programming file as the JTAG user code. If selected, the checksum is automatically loaded to the USERCODE register. Choose Assignments > Device > Device and Pin Options > General. Turn on **Auto Usercode**.

The Cyclone device instruction register length is 10 bits and the USERCODE register length is 32 bits. Tables 3–2 and 3–3 show the boundary-scan register length and device IDCODE information for Cyclone devices.

| Device | Boundary-Scan Register Length |
|--------|-------------------------------|
| EP1C3 | 339 |
| EP1C4 | 930 |
| EP1C6 | 582 |
| EP1C12 | 774 |
| EP1C20 | 930 |

| Device | IDCODE (32 bits) (1) | | | |
|--------|----------------------|-----------------------|---------------------------------|-----------------|
| | Version (4 Bits) | Part Number (16 Bits) | Manufacturer Identity (11 Bits) | LSB (1 Bit) (2) |
| EP1C3 | 0000 | 0010 0000 1000 0001 | 000 0110 1110 | 1 |
| EP1C4 | 0000 | 0010 0000 1000 0101 | 000 0110 1110 | 1 |
| EP1C6 | 0000 | 0010 0000 1000 0010 | 000 0110 1110 | 1 |
| EP1C12 | 0000 | 0010 0000 1000 0011 | 000 0110 1110 | 1 |
| EP1C20 | 0000 | 0010 0000 1000 0100 | 000 0110 1110 | 1 |

Notes to Table 3–3:

- (1) The most significant bit (MSB) is on the left.
- (2) The IDCODE's least significant bit (LSB) is always 1.

Figure 3-1 shows the timing requirements for the JTAG signals.

Figure 3-1. Cyclone JTAG Waveforms

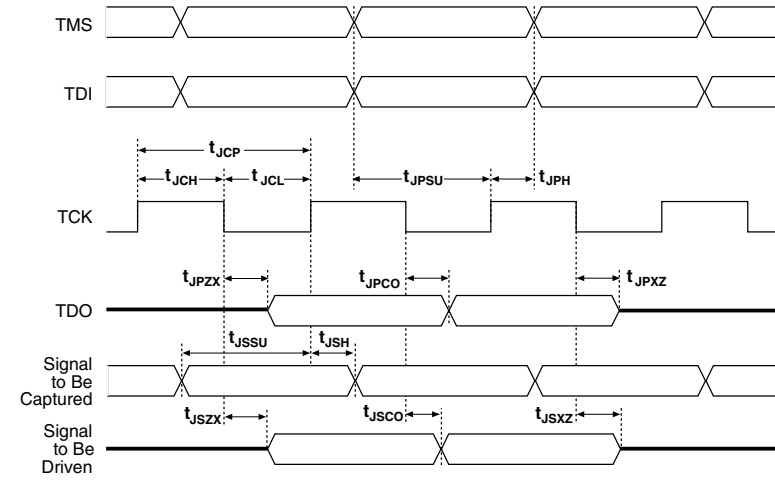


Table 3-4 shows the JTAG timing parameters and values for Cyclone devices.

Table 3-4. Cyclone JTAG Timing Parameters and Values

| Symbol | Parameter | Min | Max | Unit |
|------------|--|-----|-----|------|
| t_{JCP} | TCK clock period | 100 | — | ns |
| t_{JCH} | TCK clock high time | 50 | — | ns |
| t_{JCL} | TCK clock low time | 50 | — | ns |
| t_{JPSU} | JTAG port setup time | 20 | — | ns |
| t_{JPH} | JTAG port hold time | 45 | — | ns |
| t_{JPCO} | JTAG port clock to output | — | 25 | ns |
| t_{JPZX} | JTAG port high impedance to valid output | — | 25 | ns |
| t_{JPXZ} | JTAG port valid output to high impedance | — | 25 | ns |
| t_{JSSU} | Capture register setup time | 20 | — | ns |
| t_{JSH} | Capture register hold time | 45 | — | ns |
| t_{JSCO} | Update register clock to output | — | 35 | ns |
| t_{JSXZ} | Update register high impedance to valid output | — | 35 | ns |
| t_{JSXZ} | Update register valid output to high impedance | — | 35 | ns |



Cyclone devices must be within the first 8 devices in a JTAG chain. All of these devices have the same JTAG controller. If any of the Cyclone devices are in the 9th or after they will fail configuration. This does not affect the SignalTap® II logic analyzer.



For more information on JTAG, refer to the following documents:

- [AN 39: IEEE Std. 1149.1 \(JTAG\) Boundary-Scan Testing in Altera Devices](#)
- [JTAG Programming & Test Language Specification](#)

SignalTap II Embedded Logic Analyzer

Cyclone devices feature the SignalTap II embedded logic analyzer, which monitors design operation over a period of time through the IEEE Std. 1149.1 (JTAG) circuitry. A designer can analyze internal logic at speed without bringing internal signals to the I/O pins. This feature is particularly important for advanced packages, such as FineLine BGA packages, because it can be difficult to add a connection to a pin during the debugging process after a board is designed and manufactured.

Configuration

The logic, circuitry, and interconnects in the Cyclone architecture are configured with CMOS SRAM elements. Altera FPGAs are reconfigurable and every device is tested with a high coverage production test program so the designer does not have to perform fault testing and can instead focus on simulation and design verification.

Cyclone devices are configured at system power-up with data stored in an Altera configuration device or provided by a system controller. The Cyclone device's optimized interface allows the device to act as controller in an active serial configuration scheme with the new low-cost serial configuration device. Cyclone devices can be configured in under 120 ms using serial data at 20 MHz. The serial configuration device can be programmed via the ByteBlaster II download cable, the Altera Programming Unit (APU), or third-party programmers.

In addition to the new low-cost serial configuration device, Altera offers in-system programmability (ISP)-capable configuration devices that can configure Cyclone devices via a serial data stream. The interface also enables microprocessors to treat Cyclone devices as memory and configure them by writing to a virtual memory location, making reconfiguration easy. After a Cyclone device has been configured, it can be reconfigured in-circuit by resetting the device and loading new data. Real-time changes can be made during system operation, enabling innovative reconfigurable computing applications.

Operating Modes

The Cyclone architecture uses SRAM configuration elements that require configuration data to be loaded each time the circuit powers up. The process of physically loading the SRAM data into the device is called configuration. During initialization, which occurs immediately after configuration, the device resets registers, enables I/O pins, and begins to operate as a logic device. Together, the configuration and initialization processes are called command mode. Normal device operation is called user mode.

SRAM configuration elements allow Cyclone devices to be reconfigured in-circuit by loading new configuration data into the device. With real-time reconfiguration, the device is forced into command mode with a device pin. The configuration process loads different configuration data, reinitializes the device, and resumes user-mode operation. Designers can perform in-field upgrades by distributing new configuration files either within the system or remotely.

A built-in weak pull-up resistor pulls all user I/O pins to V_{CCIO} before and during device configuration.

The configuration pins support 1.5-V/1.8-V or 2.5-V/3.3-V I/O standards. The voltage level of the configuration output pins is determined by the V_{CCIO} of the bank where the pins reside. The bank V_{CCIO} selects whether the configuration inputs are 1.5-V, 1.8-V, 2.5-V, or 3.3-V compatible.

Configuration Schemes

Designers can load the configuration data for a Cyclone device with one of three configuration schemes (see [Table 3–5](#)), chosen on the basis of the target application. Designers can use a configuration device, intelligent controller, or the JTAG port to configure a Cyclone device. A low-cost configuration device can automatically configure a Cyclone device at system power-up.

Multiple Cyclone devices can be configured in any of the three configuration schemes by connecting the configuration enable (nCE) and configuration enable output ($nCEO$) pins on each device.

Table 3–5. Data Sources for Configuration

| Configuration Scheme | Data Source |
|----------------------|---|
| Active serial | Low-cost serial configuration device |
| Passive serial (PS) | Enhanced or EPC2 configuration device, MasterBlaster or ByteBlasterMV download cable, or serial data source |
| JTAG | MasterBlaster or ByteBlasterMV download cable or a microprocessor with a Jam or JBC file |

Referenced Documents

This chapter references the following document:

- [AN 39: IEEE Std. 1149.1 \(JTAG\) Boundary-Scan Testing in Altera Devices](#)
- [Jam Programming & Test Language Specification](#)

Document Revision History

Table 3–6 shows the revision history for this chapter.

Table 3–6. Document Revision History

| Date and Document Version | Changes Made | Summary of Changes |
|---------------------------|--|--------------------|
| May 2008 v1.4 | Minor textual and style changes. Added “ Referenced Documents ” section. | — |
| January 2007 v1.3 | <ul style="list-style-type: none"> ● Added document revision history. ● Updated handpara note below Table 3–4. | — |
| August 2005 V1.2 | Minor updates. | — |
| February 2005 V1.1 | Updated JTAG chain limits. Added information concerning test vectors. | — |
| May 2003 v1.0 | Added document to Cyclone Device Handbook. | — |

Operating Conditions

Cyclone® devices are offered in both commercial, industrial, and extended temperature grades. However, industrial-grade and extended-temperature-grade devices may have limited speed-grade availability.

Tables 4–1 through 4–16 provide information on absolute maximum ratings, recommended operating conditions, DC operating conditions, and capacitance for Cyclone devices.

Table 4–1. Cyclone Device Absolute Maximum Ratings *Notes (1), (2)*

| Symbol | Parameter | Conditions | Minimum | Maximum | Unit |
|-------------|----------------------------|----------------------------|---------|---------|------|
| V_{CCINT} | Supply voltage | With respect to ground (3) | –0.5 | 2.4 | V |
| V_{CCIO} | | | –0.5 | 4.6 | V |
| V_{CCA} | Supply voltage | With respect to ground (3) | –0.5 | 2.4 | V |
| V_I | DC input voltage | | –0.5 | 4.6 | V |
| I_{OUT} | DC output current, per pin | | –25 | 25 | mA |
| T_{STG} | Storage temperature | No bias | –65 | 150 | °C |
| T_{AMB} | Ambient temperature | Under bias | –65 | 135 | °C |
| T_J | Junction temperature | BGA packages under bias | — | 135 | °C |

Table 4–2. Cyclone Device Recommended Operating Conditions (Part 1 of 2)

| Symbol | Parameter | Conditions | Minimum | Maximum | Unit |
|-------------|---|------------|---------|---------|------|
| V_{CCINT} | Supply voltage for internal logic and input buffers | (4) | 1.425 | 1.575 | V |
| V_{CCIO} | Supply voltage for output buffers, 3.3-V operation | (4) | 3.00 | 3.60 | V |
| | Supply voltage for output buffers, 2.5-V operation | (4) | 2.375 | 2.625 | V |
| | Supply voltage for output buffers, 1.8-V operation | (4) | 1.71 | 1.89 | V |
| | Supply voltage for output buffers, 1.5-V operation | (4) | 1.4 | 1.6 | V |
| V_I | Input voltage | (3), (5) | –0.5 | 4.1 | V |

Table 4–2. Cyclone Device Recommended Operating Conditions (Part 2 of 2)

| Symbol | Parameter | Conditions | Minimum | Maximum | Unit |
|--------|--------------------------------|------------------------------|---------|------------|------|
| V_O | Output voltage | | 0 | V_{CCIO} | V |
| T_J | Operating junction temperature | For commercial use | 0 | 85 | ° C |
| | | For industrial use | –40 | 100 | ° C |
| | | For extended-temperature use | –40 | 125 | ° C |

Table 4–3. Cyclone Device DC Operating Conditions *Note (6)*

| Symbol | Parameter | Conditions | Minimum | Typical | Maximum | Unit |
|----------------|--|---------------------------------|---------|---------|---------|------------|
| I_I | Input pin leakage current | $V_I = V_{CCIOmax}$ to 0 V (8) | –10 | — | 10 | μ A |
| I_{OZ} | Tri-stated I/O pin leakage current | $V_O = V_{CCIOmax}$ to 0 V (8) | –10 | — | 10 | μ A |
| I_{CC0} | V_{CC} supply current (standby) (All M4K blocks in power-down mode) (7) | EP1C3 | — | 4 | — | mA |
| | | EP1C4 | — | 6 | — | mA |
| | | EP1C6 | — | 6 | — | mA |
| | | EP1C12 | — | 8 | — | mA |
| | | EP1C20 | — | 12 | — | mA |
| R_{CONF} (9) | Value of I/O pin pull-up resistor before and during configuration | $V_I = 0$ V; $V_{CCIO} = 3.3$ V | 15 | 25 | 50 | k Ω |
| | | $V_I = 0$ V; $V_{CCIO} = 2.5$ V | 20 | 45 | 70 | k Ω |
| | | $V_I = 0$ V; $V_{CCIO} = 1.8$ V | 30 | 65 | 100 | k Ω |
| | | $V_I = 0$ V; $V_{CCIO} = 1.5$ V | 50 | 100 | 150 | k Ω |
| | Recommended value of I/O pin external pull-down resistor before and during configuration | — | — | 1 | 2 | k Ω |

Table 4–4. LVTTL Specifications

| Symbol | Parameter | Conditions | Minimum | Maximum | Unit |
|------------|---------------------------|--------------------------------|---------|---------|------|
| V_{CCIO} | Output supply voltage | — | 3.0 | 3.6 | V |
| V_{IH} | High-level input voltage | — | 1.7 | 4.1 | V |
| V_{IL} | Low-level input voltage | — | –0.5 | 0.7 | V |
| V_{OH} | High-level output voltage | $I_{OH} = -4$ to -24 mA (11) | 2.4 | — | V |
| V_{OL} | Low-level output voltage | $I_{OL} = 4$ to 24 mA (11) | — | 0.45 | V |

Table 4–5. LVCMOS Specifications

| Symbol | Parameter | Conditions | Minimum | Maximum | Unit |
|------------|---------------------------|--|------------------|---------|------|
| V_{CCIO} | Output supply voltage | — | 3.0 | 3.6 | V |
| V_{IH} | High-level input voltage | — | 1.7 | 4.1 | V |
| V_{IL} | Low-level input voltage | — | –0.5 | 0.7 | V |
| V_{OH} | High-level output voltage | $V_{CCIO} = 3.0$, $I_{OH} = -0.1$ mA | $V_{CCIO} - 0.2$ | — | V |
| V_{OL} | Low-level output voltage | $V_{CCIO} = 3.0$, $I_{OL} = 0.1$ mA | — | 0.2 | V |

Table 4–6. 2.5-V I/O Specifications

| Symbol | Parameter | Conditions | Minimum | Maximum | Unit |
|------------|---------------------------|--------------------------------|---------|---------|------|
| V_{CCIO} | Output supply voltage | — | 2.375 | 2.625 | V |
| V_{IH} | High-level input voltage | — | 1.7 | 4.1 | V |
| V_{IL} | Low-level input voltage | — | –0.5 | 0.7 | V |
| V_{OH} | High-level output voltage | $I_{OH} = -0.1$ mA | 2.1 | — | V |
| | | $I_{OH} = -1$ mA | 2.0 | — | V |
| | | $I_{OH} = -2$ to -16 mA (11) | 1.7 | — | V |
| V_{OL} | Low-level output voltage | $I_{OL} = 0.1$ mA | — | 0.2 | V |
| | | $I_{OH} = 1$ mA | — | 0.4 | V |
| | | $I_{OH} = 2$ to 16 mA (11) | — | 0.7 | V |

Table 4–7. 1.8-V I/O Specifications

| Symbol | Parameter | Conditions | Minimum | Maximum | Unit |
|------------|---------------------------|-------------------------------|------------------------|------------------------|------|
| V_{CCIO} | Output supply voltage | — | 1.65 | 1.95 | V |
| V_{IH} | High-level input voltage | — | $0.65 \times V_{CCIO}$ | 2.25 (12) | V |
| V_{IL} | Low-level input voltage | — | –0.3 | $0.35 \times V_{CCIO}$ | V |
| V_{OH} | High-level output voltage | $I_{OH} = -2$ to -8 mA (11) | $V_{CCIO} - 0.45$ | — | V |
| V_{OL} | Low-level output voltage | $I_{OL} = 2$ to 8 mA (11) | — | 0.45 | V |

Table 4–8. 1.5-V I/O Specifications

| Symbol | Parameter | Conditions | Minimum | Maximum | Unit |
|------------|---------------------------|-------------------------------|------------------------|--------------------------|------|
| V_{CCIO} | Output supply voltage | — | 1.4 | 1.6 | V |
| V_{IH} | High-level input voltage | — | $0.65 \times V_{CCIO}$ | $V_{CCIO} + 0.3$ (12) | V |
| V_{IL} | Low-level input voltage | — | -0.3 | $0.35 \times V_{CCIO}$ | V |
| V_{OH} | High-level output voltage | $I_{OH} = -2 \text{ mA}$ (11) | $0.75 \times V_{CCIO}$ | — | V |
| V_{OL} | Low-level output voltage | $I_{OL} = 2 \text{ mA}$ (11) | — | $0.25 \times V_{CCIO}$ | V |

Table 4–9. 2.5-V LVDS I/O Specifications Note (13)

| Symbol | Parameter | Conditions | Minimum | Typical | Maximum | Unit |
|-----------------|---|--------------------------|---------|---------|---------|----------|
| V_{CCIO} | I/O supply voltage | — | 2.375 | 2.5 | 2.625 | V |
| V_{OD} | Differential output voltage | $R_L = 100 \ \Omega$ | 250 | — | 550 | mV |
| ΔV_{OD} | Change in V_{OD} between high and low | $R_L = 100 \ \Omega$ | — | — | 50 | mV |
| V_{OS} | Output offset voltage | $R_L = 100 \ \Omega$ | 1.125 | 1.25 | 1.375 | V |
| ΔV_{OS} | Change in V_{OS} between high and low | $R_L = 100 \ \Omega$ | — | — | 50 | mV |
| V_{TH} | Differential input threshold | $V_{CM} = 1.2 \text{ V}$ | -100 | — | 100 | mV |
| V_{IN} | Receiver input voltage range | — | 0.0 | — | 2.4 | V |
| R_L | Receiver differential input resistor | — | 90 | 100 | 110 | Ω |

Table 4–10. 3.3-V PCI Specifications (Part 1 of 2)

| Symbol | Parameter | Conditions | Minimum | Typical | Maximum | Unit |
|------------|--------------------------|------------|-----------------------|---------|-----------------------|------|
| V_{CCIO} | Output supply voltage | — | 3.0 | 3.3 | 3.6 | V |
| V_{IH} | High-level input voltage | — | $0.5 \times V_{CCIO}$ | — | $V_{CCIO} + 0.5$ | V |
| V_{IL} | Low-level input voltage | — | -0.5 | — | $0.3 \times V_{CCIO}$ | V |

Table 4–10. 3.3-V PCI Specifications (Part 2 of 2)

| Symbol | Parameter | Conditions | Minimum | Typical | Maximum | Unit |
|----------|---------------------------|-------------------------|-----------------------|---------|-----------------------|------|
| V_{OH} | High-level output voltage | $I_{OUT} = -500 \mu A$ | $0.9 \times V_{CCIO}$ | — | — | V |
| V_{OL} | Low-level output voltage | $I_{OUT} = 1,500 \mu A$ | — | — | $0.1 \times V_{CCIO}$ | V |

Table 4–11. SSTL-2 Class I Specifications

| Symbol | Parameter | Conditions | Minimum | Typical | Maximum | Unit |
|------------|---------------------------|------------------------------------|------------------|-----------|------------------|------|
| V_{CCIO} | Output supply voltage | — | 2.375 | 2.5 | 2.625 | V |
| V_{TT} | Termination voltage | — | $V_{REF} - 0.04$ | V_{REF} | $V_{REF} + 0.04$ | V |
| V_{REF} | Reference voltage | — | 1.15 | 1.25 | 1.35 | V |
| V_{IH} | High-level input voltage | — | $V_{REF} + 0.18$ | — | 3.0 | V |
| V_{IL} | Low-level input voltage | — | -0.3 | — | $V_{REF} - 0.18$ | V |
| V_{OH} | High-level output voltage | $I_{OH} = -8.1 \text{ mA}$ (11) | $V_{TT} + 0.57$ | — | — | V |
| V_{OL} | Low-level output voltage | $I_{OL} = 8.1 \text{ mA}$ (11) | — | — | $V_{TT} - 0.57$ | V |

Table 4–12. SSTL-2 Class II Specifications

| Symbol | Parameter | Conditions | Minimum | Typical | Maximum | Unit |
|------------|---------------------------|-------------------------------------|------------------|-----------|------------------|------|
| V_{CCIO} | Output supply voltage | — | 2.3 | 2.5 | 2.7 | V |
| V_{TT} | Termination voltage | — | $V_{REF} - 0.04$ | V_{REF} | $V_{REF} + 0.04$ | V |
| V_{REF} | Reference voltage | — | 1.15 | 1.25 | 1.35 | V |
| V_{IH} | High-level input voltage | — | $V_{REF} + 0.18$ | — | $V_{CCIO} + 0.3$ | V |
| V_{IL} | Low-level input voltage | — | -0.3 | — | $V_{REF} - 0.18$ | V |
| V_{OH} | High-level output voltage | $I_{OH} = -16.4 \text{ mA}$ (11) | $V_{TT} + 0.76$ | — | — | V |
| V_{OL} | Low-level output voltage | $I_{OL} = 16.4 \text{ mA}$ (11) | — | — | $V_{TT} - 0.76$ | V |

Table 4–13. SSTL-3 Class I Specifications (Part 1 of 2)

| Symbol | Parameter | Conditions | Minimum | Typical | Maximum | Unit |
|------------|-----------------------|------------|------------------|-----------|------------------|------|
| V_{CCIO} | Output supply voltage | — | 3.0 | 3.3 | 3.6 | V |
| V_{TT} | Termination voltage | — | $V_{REF} - 0.05$ | V_{REF} | $V_{REF} + 0.05$ | V |

Table 4–13. SSTL-3 Class I Specifications (Part 2 of 2)

| Symbol | Parameter | Conditions | Minimum | Typical | Maximum | Unit |
|-----------|---------------------------|-------------------------------|-----------------|---------|------------------|------|
| V_{REF} | Reference voltage | — | 1.3 | 1.5 | 1.7 | V |
| V_{IH} | High-level input voltage | — | $V_{REF} + 0.2$ | — | $V_{CCIO} + 0.3$ | V |
| V_{IL} | Low-level input voltage | — | -0.3 | — | $V_{REF} - 0.2$ | V |
| V_{OH} | High-level output voltage | $I_{OH} = -8 \text{ mA}$ (11) | $V_{TT} + 0.6$ | — | — | V |
| V_{OL} | Low-level output voltage | $I_{OL} = 8 \text{ mA}$ (11) | — | — | $V_{TT} - 0.6$ | V |

Table 4–14. SSTL-3 Class II Specifications

| Symbol | Parameter | Conditions | Minimum | Typical | Maximum | Unit |
|------------|---------------------------|--------------------------------|------------------|-----------|------------------|------|
| V_{CCIO} | Output supply voltage | — | 3.0 | 3.3 | 3.6 | V |
| V_{TT} | Termination voltage | — | $V_{REF} - 0.05$ | V_{REF} | $V_{REF} + 0.05$ | V |
| V_{REF} | Reference voltage | — | 1.3 | 1.5 | 1.7 | V |
| V_{IH} | High-level input voltage | — | $V_{REF} + 0.2$ | — | $V_{CCIO} + 0.3$ | V |
| V_{IL} | Low-level input voltage | — | -0.3 | — | $V_{REF} - 0.2$ | V |
| V_{OH} | High-level output voltage | $I_{OH} = -16 \text{ mA}$ (11) | $V_{TT} + 0.8$ | — | — | V |
| V_{OL} | Low-level output voltage | $I_{OL} = 16 \text{ mA}$ (11) | — | — | $V_{TT} - 0.8$ | V |

Table 4–15. Bus Hold Parameters

| Parameter | Conditions | V_{CCIO} Level | | | | | | | | Unit |
|-------------------------|-----------------------------------|------------------|-----|-------|------|-------|------|-------|------|---------------|
| | | 1.5 V | | 1.8 V | | 2.5 V | | 3.3 V | | |
| | | Min | Max | Min | Max | Min | Max | Min | Max | |
| Low sustaining current | $V_{IN} > V_{IL}$ (maximum) | — | — | 30 | — | 50 | — | 70 | — | μA |
| High sustaining current | $V_{IN} < V_{IH}$ (minimum) | — | — | -30 | — | -50 | — | -70 | — | μA |
| Low overdrive current | $0 \text{ V} < V_{IN} < V_{CCIO}$ | — | — | — | 200 | — | 300 | — | 500 | μA |
| High overdrive current | $0 \text{ V} < V_{IN} < V_{CCIO}$ | — | — | — | -200 | — | -300 | — | -500 | μA |

Table 4–16. Cyclone Device Capacitance *Note (14)*

| Symbol | Parameter | Typical | Unit |
|-------------|---|---------|------|
| C_{IO} | Input capacitance for user I/O pin | 4.0 | pF |
| C_{LVDS} | Input capacitance for dual-purpose LVDS/user I/O pin | 4.7 | pF |
| C_{VREF} | Input capacitance for dual-purpose V_{REF} /user I/O pin. | 12.0 | pF |
| C_{DPCLK} | Input capacitance for dual-purpose $DPCLK$ /user I/O pin. | 4.4 | pF |
| C_{CLK} | Input capacitance for CLK pin. | 4.7 | pF |

Notes to Tables 4–1 through 4–16:

- (1) Refer to the *Operating Requirements for Altera Devices Data Sheet*.
- (2) Conditions beyond those listed in Table 4–1 may cause permanent damage to a device. Additionally, device operation at the absolute maximum ratings for extended periods of time may have adverse effects on the device.
- (3) Minimum DC input is -0.5 V. During transitions, the inputs may undershoot to -2.0 V or overshoot to 4.6 V for input currents less than 100 mA and periods shorter than 20 ns.
- (4) Maximum V_{CC} rise time is 100 ms, and V_{CC} must rise monotonically.
- (5) All pins, including dedicated inputs, clock, I/O, and JTAG pins, may be driven before V_{CCINT} and V_{CCIO} are powered.
- (6) Typical values are for $T_A = 25^\circ$ C, $V_{CCINT} = 1.5$ V, and $V_{CCIO} = 1.5$ V, 1.8 V, 2.5 V, and 3.3 V.
- (7) $V_I =$ ground, no load, no toggling inputs.
- (8) This value is specified for normal device operation. The value may vary during power-up. This applies for all V_{CCIO} settings (3.3 , 2.5 , 1.8 , and 1.5 V).
- (9) R_{CONF} is the measured value of internal pull-up resistance when the I/O pin is tied directly to GND. R_{CONF} value will be lower if an external source drives the pin higher than V_{CCIO} .
- (10) Pin pull-up resistance values will lower if an external source drives the pin higher than V_{CCIO} .
- (11) Drive strength is programmable according to values in *Cyclone Architecture* chapter in the *Cyclone Device Handbook*.
- (12) Overdrive is possible when a 1.5 V or 1.8 V and a 2.5 V or 3.3 V input signal feeds an input pin. Turn on “Allow voltage overdrive” for LVTTTL/LVCMOS input pins in the Assignments > Device > Device and Pin Options > Pin Placement tab when a device has this I/O combination. However, higher leakage current is expected.
- (13) The Cyclone LVDS interface requires a resistor network outside of the transmitter channels.
- (14) Capacitance is sample-tested only. Capacitance is measured using time-domain reflections (TDR). Measurement accuracy is within ± 0.5 pF.

Power Consumption

Designers can use the Altera web Early Power Estimator to estimate the device power.

Cyclone devices require a certain amount of power-up current to successfully power up because of the nature of the leading-edge process on which they are fabricated. Table 4–17 shows the maximum power-up current required to power up a Cyclone device.

| Device | Commercial Specification | Industrial Specification | Unit |
|--------|--------------------------|--------------------------|------|
| EP1C3 | 150 | 180 | mA |
| EP1C4 | 150 | 180 | mA |
| EP1C6 | 175 | 210 | mA |
| EP1C12 | 300 | 360 | mA |
| EP1C20 | 500 | 600 | mA |

Notes to Table 4–17:

- (1) The Cyclone devices (except for the EP1C20 device) meet the power up specification for Mini PCI.
- (2) The lot codes 9G0082 to 9G2999, or 9G3109 and later comply to the specifications in Table 4–17 and meet the Mini PCI specification. Lot codes appear at the top of the device.
- (3) The lot codes 9H0004 to 9H29999, or 9H3014 and later comply to the specifications in this table and meet the Mini PCI specification. Lot codes appear at the top of the device.

Designers should select power supplies and regulators that can supply this amount of current when designing with Cyclone devices. This specification is for commercial operating conditions. Measurements were performed with an isolated Cyclone device on the board. Decoupling capacitors were not used in this measurement. To factor in the current for decoupling capacitors, sum up the current for each capacitor using the following equation:

$$I = C (dV/dt)$$

The exact amount of current that is consumed varies according to the process, temperature, and power ramp rate. If the power supply or regulator can supply more current than required, the Cyclone device may consume more current than the maximum current specified in Table 4–17. However, the device does not require any more current to successfully power up than what is listed in Table 4–17.

The duration of the I_{CCINT} power-up requirement depends on the V_{CCINT} voltage supply rise time. The power-up current consumption drops when the V_{CCINT} supply reaches approximately 0.75 V. For example, if the V_{CCINT} rise time has a linear rise of 15 ms, the current consumption spike drops by 7.5 ms.

Typically, the user-mode current during device operation is lower than the power-up current in [Table 4–17](#). Altera recommends using the Cyclone Power Calculator, available on the Altera web site, to estimate the user-mode I_{CCINT} consumption and then select power supplies or regulators based on the higher value.

Timing Model

The DirectDrive technology and MultiTrack interconnect ensure predictable performance, accurate simulation, and accurate timing analysis across all Cyclone device densities and speed grades. This section describes and specifies the performance, internal, external, and PLL timing specifications.

All specifications are representative of worst-case supply voltage and junction temperature conditions.

Preliminary and Final Timing

Timing models can have either preliminary or final status. The Quartus® II software issues an informational message during the design compilation if the timing models are preliminary. [Table 4–18](#) shows the status of the Cyclone device timing models.

Preliminary status means the timing model is subject to change. Initially, timing numbers are created using simulation results, process data, and other known parameters. These tests are used to make the preliminary numbers as close to the actual timing parameters as possible.

Final timing numbers are based on actual device operation and testing. These numbers reflect the actual performance of the device under worst-case voltage and junction temperature conditions.

Table 4–18. Cyclone Device Timing Model Status

| Device | Preliminary | Final |
|--------|-------------|-------|
| EP1C3 | — | ✓ |
| EP1C4 | — | ✓ |
| EP1C6 | — | ✓ |
| EP1C12 | — | ✓ |
| EP1C20 | — | ✓ |

Performance

The maximum internal logic array clock tree frequency is limited to the specifications shown in [Table 4-19](#).

| Parameter | Definition | -6 Speed Grade | | | -7 Speed Grade | | | -8 Speed Grade | | | Units |
|----------------------|---|----------------|-----|-----|----------------|-----|-----|----------------|-----|-----|-------|
| | | Min | Typ | Max | Min | Typ | Max | Min | Typ | Max | |
| Clock tree f_{MAX} | Maximum frequency that the clock tree can support for clocking registered logic | — | — | 405 | — | — | 320 | — | — | 275 | MHz |

[Table 4-20](#) shows the Cyclone device performance for some common designs. All performance values were obtained with the Quartus II software compilation of library of parameterized modules (LPM) functions or megafunctions. These performance values are based on EP1C6 devices in 144-pin TQFP packages.

| Resource Used | Design Size and Function | Mode | Resources Used | | | Performance | | |
|---------------|--------------------------|------|----------------|-----------------|-------------------|----------------------|----------------------|----------------------|
| | | | LEs | M4K Memory Bits | M4K Memory Blocks | -6 Speed Grade (MHz) | -7 Speed Grade (MHz) | -8 Speed Grade (MHz) |
| LE | 16-to-1 multiplexer | — | 21 | — | — | 405.00 | 320.00 | 275.00 |
| | 32-to-1 multiplexer | — | 44 | — | — | 317.36 | 284.98 | 260.15 |
| | 16-bit counter | — | 16 | — | — | 405.00 | 320.00 | 275.00 |
| | 64-bit counter (1) | — | 66 | — | — | 208.99 | 181.98 | 160.75 |

Table 4–20. Cyclone Device Performance

| Resource Used | Design Size and Function | Mode | Resources Used | | | Performance | | |
|------------------|----------------------------|-----------------------|----------------|-----------------|-------------------|----------------------|----------------------|----------------------|
| | | | LEs | M4K Memory Bits | M4K Memory Blocks | -6 Speed Grade (MHz) | -7 Speed Grade (MHz) | -8 Speed Grade (MHz) |
| M4K memory block | RAM 128 × 36 bit | Single port | — | 4,608 | 1 | 256.00 | 222.67 | 197.01 |
| | RAM 128 × 36 bit | Simple dual-port mode | — | 4,608 | 1 | 255.95 | 222.67 | 196.97 |
| | RAM 256 × 18 bit | True dual-port mode | — | 4,608 | 1 | 255.95 | 222.67 | 196.97 |
| | FIFO 128 × 36 bit | — | 40 | 4,608 | 1 | 256.02 | 222.67 | 197.01 |
| | Shift register 9 × 4 × 128 | Shift register | 11 | 4,536 | 1 | 255.95 | 222.67 | 196.97 |

Note to [Table 4–20](#):

- (1) The performance numbers for this function are from an EP1C6 device in a 240-pin PQFP package.

Internal Timing Parameters

Internal timing parameters are specified on a speed grade basis independent of device density. [Tables 4–21](#) through [4–24](#) describe the Cyclone device internal timing microparameters for LEs, IOEs, M4K memory structures, and MultiTrack interconnects.

Table 4–21. LE Internal Timing Microparameter Descriptions

| Symbol | Parameter |
|-------------|--|
| t_{SU} | LE register setup time before clock |
| t_H | LE register hold time after clock |
| t_{CO} | LE register clock-to-output delay |
| t_{LUT} | LE combinatorial LUT delay for data-in to data-out |
| t_{CLR} | Minimum clear pulse width |
| t_{PRE} | Minimum preset pulse width |
| t_{CLKHL} | Minimum clock high or low time |

Table 4–22. IOE Internal Timing Microparameter Descriptions

| Symbol | Parameter |
|----------------------|---|
| t_{SU} | IOE input and output register setup time before clock |
| t_H | IOE input and output register hold time after clock |
| t_{CO} | IOE input and output register clock-to-output delay |
| $t_{PIN2COMBOUT_R}$ | Row input pin to IOE combinatorial output |
| $t_{PIN2COMBOUT_C}$ | Column input pin to IOE combinatorial output |
| $t_{COMBIN2PIN_R}$ | Row IOE data input to combinatorial output pin |
| $t_{COMBIN2PIN_C}$ | Column IOE data input to combinatorial output pin |
| t_{CLR} | Minimum clear pulse width |
| t_{PRE} | Minimum preset pulse width |
| t_{CLKHL} | Minimum clock high or low time |

Table 4–23. M4K Block Internal Timing Microparameter Descriptions

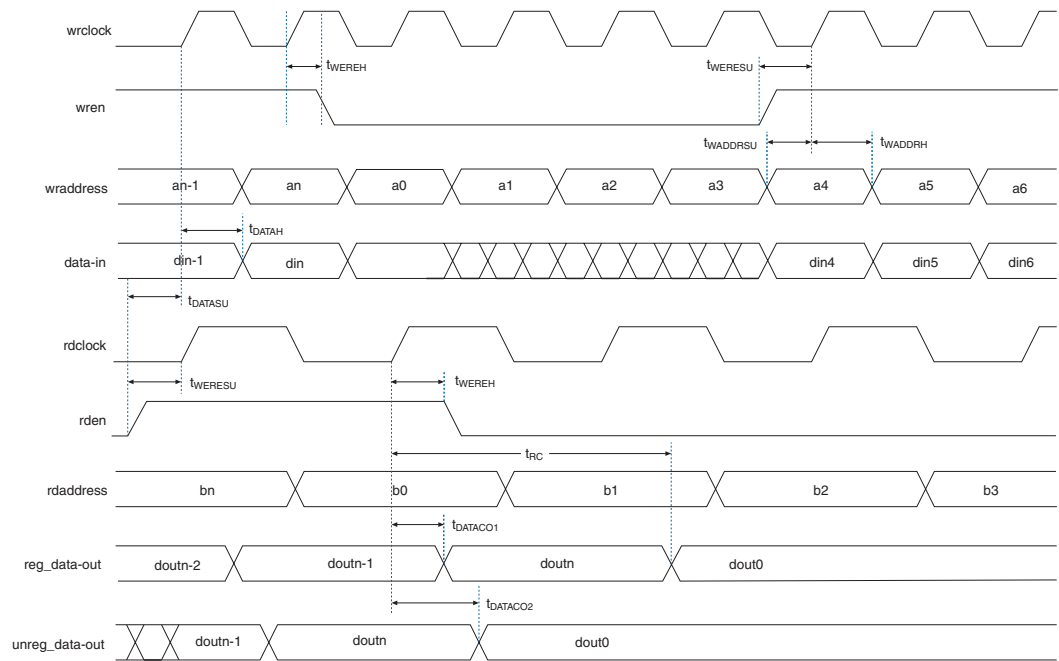
| Symbol | Parameter |
|-------------------|---|
| t_{M4KRC} | Synchronous read cycle time |
| t_{M4KWC} | Synchronous write cycle time |
| $t_{M4KWERESU}$ | Write or read enable setup time before clock |
| $t_{M4KWEREH}$ | Write or read enable hold time after clock |
| $t_{M4KBESU}$ | Byte enable setup time before clock |
| t_{M4KBEH} | Byte enable hold time after clock |
| $t_{M4KDATAASU}$ | A port data setup time before clock |
| $t_{M4KDATAAH}$ | A port data hold time after clock |
| $t_{M4KADDRASU}$ | A port address setup time before clock |
| $t_{M4KADDRAH}$ | A port address hold time after clock |
| $t_{M4KDATABSU}$ | B port data setup time before clock |
| $t_{M4KDATA BH}$ | B port data hold time after clock |
| $t_{M4KADDRBSU}$ | B port address setup time before clock |
| $t_{M4KADDRBH}$ | B port address hold time after clock |
| $t_{M4KDATA CO1}$ | Clock-to-output delay when using output registers |
| $t_{M4KDATA CO2}$ | Clock-to-output delay without output registers |
| $t_{M4KCLKHL}$ | Minimum clock high or low time |
| t_{M4KCLR} | Minimum clear pulse width |

Table 4–24. Routing Delay Internal Timing Microparameter Descriptions

| Symbol | Parameter |
|-------------|--|
| t_{R4} | Delay for an R4 line with average loading; covers a distance of four LAB columns |
| t_{C4} | Delay for an C4 line with average loading; covers a distance of four LAB rows |
| t_{LOCAL} | Local interconnect delay |

Figure 4–1 shows the memory waveforms for the M4K timing parameters shown in Table 4–23.

Figure 4–1. Dual-Port RAM Timing Microparameter Waveform



Internal timing parameters are specified on a speed grade basis independent of device density. Tables 4–25 through 4–28 show the internal timing microparameters for LEs, IOEs, TriMatrix memory structures, DSP blocks, and MultiTrack interconnects.

Table 4–25. LE Internal Timing Microparameters

| Symbol | -6 | | -7 | | -8 | | Unit |
|-------------|-------|-----|-------|-----|-------|-----|------|
| | Min | Max | Min | Max | Min | Max | |
| t_{SU} | 29 | — | 33 | — | 37 | — | ps |
| t_H | 12 | — | 13 | — | 15 | — | ps |
| t_{CO} | — | 173 | — | 198 | — | 224 | ps |
| t_{LUT} | — | 454 | — | 522 | — | 590 | ps |
| t_{CLR} | 129 | — | 148 | — | 167 | — | ps |
| t_{PRE} | 129 | — | 148 | — | 167 | — | ps |
| t_{CLKHL} | 1,234 | — | 1,562 | — | 1,818 | — | ps |

Table 4–26. IOE Internal Timing Microparameters

| Symbol | -6 | | -7 | | -8 | | Unit |
|----------------------|-------|-------|-------|-------|-------|-------|------|
| | Min | Max | Min | Max | Min | Max | |
| t_{SU} | 348 | — | 400 | — | 452 | — | ps |
| t_H | 0 | — | 0 | — | 0 | — | ps |
| t_{CO} | — | 511 | — | 587 | — | 664 | ps |
| $t_{PIN2COMBOUT_R}$ | — | 1,130 | — | 1,299 | — | 1,469 | ps |
| $t_{PIN2COMBOUT_C}$ | — | 1,135 | — | 1,305 | — | 1,475 | ps |
| $t_{COMBIN2PIN_R}$ | — | 2,627 | — | 3,021 | — | 3,415 | ps |
| $t_{COMBIN2PIN_C}$ | — | 2,615 | — | 3,007 | — | 3,399 | ps |
| t_{CLR} | 280 | — | 322 | — | 364 | — | ps |
| t_{PRE} | 280 | — | 322 | — | 364 | — | ps |
| t_{CLKHL} | 1,234 | — | 1,562 | — | 1,818 | — | ps |

Table 4–27. M4K Block Internal Timing Microparameters

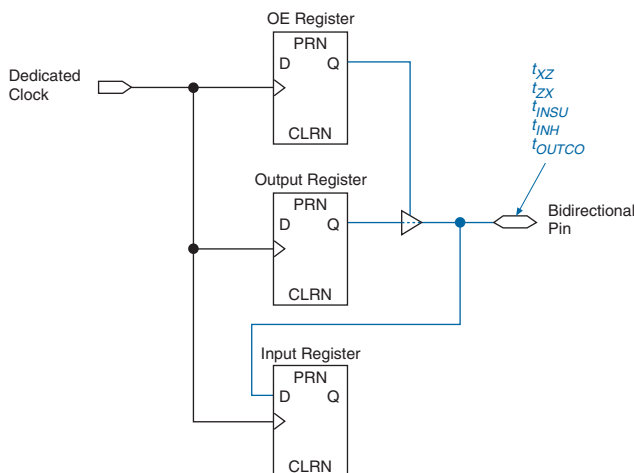
| Symbol | -6 | | -7 | | -8 | | Unit |
|-------------------|-------|-------|-------|-------|-------|-------|------|
| | Min | Max | Min | Max | Min | Max | |
| t_{M4KRC} | — | 4,379 | | 5,035 | | 5,691 | ps |
| t_{M4KWC} | — | 2,910 | | 3,346 | | 3,783 | ps |
| $t_{M4KWERSU}$ | 72 | — | 82 | — | 93 | — | ps |
| $t_{M4KWEREH}$ | 43 | — | 49 | — | 55 | — | ps |
| $t_{M4KBESU}$ | 72 | — | 82 | — | 93 | — | ps |
| t_{M4KBEH} | 43 | — | 49 | — | 55 | — | ps |
| $t_{M4KDATAASU}$ | 72 | — | 82 | — | 93 | — | ps |
| $t_{M4KDATAAH}$ | 43 | — | 49 | — | 55 | — | ps |
| $t_{M4KADDRASU}$ | 72 | — | 82 | — | 93 | — | ps |
| $t_{M4KADDRAH}$ | 43 | — | 49 | — | 55 | — | ps |
| $t_{M4KDATABSU}$ | 72 | — | 82 | — | 93 | — | ps |
| $t_{M4KDATA BH}$ | 43 | — | 49 | — | 55 | — | ps |
| $t_{M4KADDRBSU}$ | 72 | — | 82 | — | 93 | — | ps |
| $t_{M4KADDRBH}$ | 43 | — | 49 | — | 55 | — | ps |
| $t_{M4KDATA CO1}$ | — | 621 | — | 714 | — | 807 | ps |
| $t_{M4KDATA CO2}$ | — | 4,351 | — | 5,003 | — | 5,656 | ps |
| $t_{M4KCLKHL}$ | 1,234 | — | 1,562 | — | 1,818 | — | ps |
| t_{M4KCLR} | 286 | — | 328 | — | 371 | — | ps |

Table 4–28. Routing Delay Internal Timing Microparameters

| Symbol | -6 | | -7 | | -8 | | Unit |
|-------------|-----|-----|-----|-----|-----|-----|------|
| | Min | Max | Min | Max | Min | Max | |
| t_{R4} | — | 261 | — | 300 | — | 339 | ps |
| t_{C4} | — | 338 | — | 388 | — | 439 | ps |
| t_{LOCAL} | — | 244 | — | 281 | — | 318 | ps |

External Timing Parameters

External timing parameters are specified by device density and speed grade. [Figure 4–2](#) shows the timing model for bidirectional IOE pin timing. All registers are within the IOE.

Figure 4–2. External Timing in Cyclone Devices

All external I/O timing parameters shown are for 3.3-V LVTTTL I/O standard with the maximum current strength and fast slew rate. For external I/O timing using standards other than LVTTTL or for different current strengths, use the I/O standard input and output delay adders in [Tables 4–40 through 4–44](#).

[Table 4–29](#) shows the external I/O timing parameters when using global clock networks.

| Symbol | Parameter | Conditions |
|---------------|---|----------------------------|
| t_{INSU} | Setup time for input or bidirectional pin using IOE input register with global clock fed by CLK pin | — |
| t_{INH} | Hold time for input or bidirectional pin using IOE input register with global clock fed by CLK pin | — |
| t_{OUTCO} | Clock-to-output delay output or bidirectional pin using IOE output register with global clock fed by CLK pin | $C_{LOAD} = 10 \text{ pF}$ |
| $t_{INSUPLL}$ | Setup time for input or bidirectional pin using IOE input register with global clock fed by Enhanced PLL with default phase setting | — |
| t_{INHPLL} | Hold time for input or bidirectional pin using IOE input register with global clock fed by enhanced PLL with default phase setting | — |

Table 4–29. Cyclone Global Clock External I/O Timing Parameters Notes (1), (2) (Part 2 of 2)

| Symbol | Parameter | Conditions |
|-----------------------|---|-----------------------------------|
| t_{OUTCOPLL} | Clock-to-output delay output or bidirectional pin using IOE output register with global clock enhanced PLL with default phase setting | $C_{\text{LOAD}} = 10 \text{ pF}$ |

Notes to Table 4–29:

- (1) These timing parameters are sample-tested only.
- (2) These timing parameters are for IOE pins using a 3.3-V LVTTTL, 24-mA setting. Designers should use the Quartus II software to verify the external timing for any pin.

Tables 4–30 through 4–31 show the external timing parameters on column and row pins for EP1C3 devices.

Table 4–30. EP1C3 Column Pin Global Clock External I/O Timing Parameters

| Symbol | -6 Speed Grade | | -7 Speed Grade | | -8 Speed Grade | | Unit |
|-----------------------|----------------|-------|----------------|-------|----------------|-------|------|
| | Min | Max | Min | Max | Min | Max | |
| t_{INSU} | 3.085 | — | 3.547 | — | 4.009 | — | ns |
| t_{INH} | 0.000 | — | 0.000 | — | 0.000 | — | ns |
| t_{OUTCO} | 2.000 | 4.073 | 2.000 | 4.682 | 2.000 | 5.295 | ns |
| t_{INSUPLL} | 1.795 | — | 2.063 | — | 2.332 | — | ns |
| t_{INHPLL} | 0.000 | — | 0.000 | — | 0.000 | — | ns |
| t_{OUTCOPLL} | 0.500 | 2.306 | 0.500 | 2.651 | 0.500 | 2.998 | ns |

Table 4–31. EP1C3 Row Pin Global Clock External I/O Timing Parameters

| Symbol | -6 Speed Grade | | -7 Speed Grade | | -8 Speed Grade | | Unit |
|-----------------------|----------------|-------|----------------|-------|----------------|-------|------|
| | Min | Max | Min | Max | Min | Max | |
| t_{INSU} | 3.157 | — | 3.630 | — | 4.103 | — | ns |
| t_{INH} | 0.000 | — | 0.000 | — | 0.000 | — | ns |
| t_{OUTCO} | 2.000 | 3.984 | 2.000 | 4.580 | 2.000 | 5.180 | ns |
| t_{INSUPLL} | 1.867 | — | 2.146 | — | 2.426 | — | ns |
| t_{INHPLL} | 0.000 | — | 0.000 | — | 0.000 | — | ns |
| t_{OUTCOPLL} | 0.500 | 2.217 | 0.500 | 2.549 | 0.500 | 2.883 | ns |

Tables 4–32 through 4–33 show the external timing parameters on column and row pins for EP1C4 devices.

Table 4–32. EP1C4 Column Pin Global Clock External I/O Timing Parameters *Note (1)*

| Symbol | -6 Speed Grade | | -7 Speed Grade | | -8 Speed Grade | | Unit |
|-----------------------|----------------|-------|----------------|-------|----------------|-------|------|
| | Min | Max | Min | Max | Min | Max | |
| t_{INSU} | 2.471 | — | 2.841 | — | 3.210 | — | ns |
| t_{INH} | 0.000 | — | 0.000 | — | 0.000 | — | ns |
| t_{OUTCO} | 2.000 | 3.937 | 2.000 | 4.526 | 2.000 | 5.119 | ns |
| t_{INSUPLL} | 1.471 | — | 1.690 | — | 1.910 | — | ns |
| t_{INHPLL} | 0.000 | — | 0.000 | — | 0.000 | — | ns |
| t_{OUTCOPLL} | 0.500 | 2.080 | 0.500 | 2.392 | 0.500 | 2.705 | ns |

Table 4–33. EP1C4 Row Pin Global Clock External I/O Timing Parameters *Note (1)*

| Symbol | -6 Speed Grade | | -7 Speed Grade | | -8 Speed Grade | | Unit |
|-----------------------|----------------|-------|----------------|-------|----------------|-------|------|
| | Min | Max | Min | Max | Min | Max | |
| t_{INSU} | 2.600 | — | 2.990 | — | 3.379 | — | ns |
| t_{INH} | 0.000 | — | 0.000 | — | 0.000 | — | ns |
| t_{OUTCO} | 2.000 | 3.991 | 2.000 | 4.388 | 2.000 | 5.189 | ns |
| t_{INSUPLL} | 1.300 | — | 1.494 | — | 1.689 | — | ns |
| t_{INHPLL} | 0.000 | — | 0.000 | — | 0.000 | — | ns |
| t_{OUTCOPLL} | 0.500 | 2.234 | 0.500 | 2.569 | 0.500 | 2.905 | ns |

Note to Tables 4–32 and 4–33:

(1) Contact Altera Applications for EP1C4 device timing parameters.

Tables 4–34 through 4–35 show the external timing parameters on column and row pins for EP1C6 devices.

Table 4–34. EP1C6 Column Pin Global Clock External I/O Timing Parameters

| Symbol | -6 Speed Grade | | -7 Speed Grade | | -8 Speed Grade | | Unit |
|-----------------------|----------------|-------|----------------|-------|----------------|-------|------|
| | Min | Max | Min | Max | Min | Max | |
| t_{INSU} | 2.691 | — | 3.094 | — | 3.496 | — | ns |
| t_{INH} | 0.000 | — | 0.000 | — | 0.000 | — | ns |
| t_{OUTCO} | 2.000 | 3.917 | 2.000 | 4.503 | 2.000 | 5.093 | ns |
| t_{INSUPLL} | 1.513 | — | 1.739 | — | 1.964 | — | ns |
| t_{INHPLL} | 0.000 | — | 0.000 | — | 0.000 | — | ns |
| t_{OUTCOPLL} | 0.500 | 2.038 | 0.500 | 2.343 | 0.500 | 2.651 | ns |

Table 4–35. EP1C6 Row Pin Global Clock External I/O Timing Parameters

| Symbol | -6 Speed Grade | | -7 Speed Grade | | -8 Speed Grade | | Unit |
|-----------------------|----------------|-------|----------------|-------|----------------|-------|------|
| | Min | Max | Min | Max | Min | Max | |
| t_{INSU} | 2.774 | — | 3.190 | — | 3.605 | — | ns |
| t_{INH} | 0.000 | — | 0.000 | — | 0.000 | — | ns |
| t_{OUTCO} | 2.000 | 3.817 | 2.000 | 4.388 | 2.000 | 4.963 | ns |
| t_{INSUPLL} | 1.596 | — | 1.835 | — | 2.073 | — | ns |
| t_{INHPLL} | 0.000 | — | 0.000 | — | 0.000 | — | ns |
| t_{OUTCOPLL} | 0.500 | 1.938 | 0.500 | 2.228 | 0.500 | 2.521 | ns |

Tables 4–36 through 4–37 show the external timing parameters on column and row pins for EP1C12 devices.

Table 4–36. EP1C12 Column Pin Global Clock External I/O Timing Parameters (Part 1 of 2)

| Symbol | -6 Speed Grade | | -7 Speed Grade | | -8 Speed Grade | | Unit |
|----------------------|----------------|-------|----------------|-------|----------------|-------|------|
| | Min | Max | Min | Max | Min | Max | |
| t_{INSU} | 2.510 | — | 2.885 | — | 3.259 | — | ns |
| t_{INH} | 0.000 | — | 0.000 | — | 0.000 | — | ns |
| t_{OUTCO} | 2.000 | 3.798 | 2.000 | 4.367 | 2.000 | 4.940 | ns |
| t_{INSUPLL} | 1.588 | — | 1.824 | — | 2.061 | — | ns |

Table 4–36. EP1C12 Column Pin Global Clock External I/O Timing Parameters (Part 2 of 2)

| Symbol | -6 Speed Grade | | -7 Speed Grade | | -8 Speed Grade | | Unit |
|----------------|----------------|-------|----------------|-------|----------------|-------|------|
| | Min | Max | Min | Max | Min | Max | |
| t_{INHPLL} | 0.000 | — | 0.000 | — | 0.000 | — | ns |
| $t_{OUTCOPLL}$ | 0.500 | 1.663 | 0.500 | 1.913 | 0.500 | 2.164 | ns |

Table 4–37. EP1C12 Row Pin Global Clock External I/O Timing Parameters

| Symbol | -6 Speed Grade | | -7 Speed Grade | | -8 Speed Grade | | Unit |
|----------------|----------------|-------|----------------|-------|----------------|-------|------|
| | Min | Max | Min | Max | Min | Max | |
| t_{INSU} | 2.620 | — | 3.012 | — | 3.404 | — | ns |
| t_{INH} | 0.000 | — | 0.000 | — | 0.000 | — | ns |
| t_{OUTCO} | 2.000 | 3.671 | 2.000 | 4.221 | 2.000 | 4.774 | ns |
| $t_{INSUPLL}$ | 1.698 | — | 1.951 | — | 2.206 | — | ns |
| t_{INHPLL} | 0.000 | — | 0.000 | — | 0.000 | — | ns |
| $t_{OUTCOPLL}$ | 0.500 | 1.536 | 0.500 | 1.767 | 0.500 | 1.998 | ns |

Tables 4–38 through 4–39 show the external timing parameters on column and row pins for EP1C20 devices.

Table 4–38. EP1C20 Column Pin Global Clock External I/O Timing Parameters

| Symbol | -6 Speed Grade | | -7 Speed Grade | | -8 Speed Grade | | Unit |
|----------------|----------------|-------|----------------|-------|----------------|-------|------|
| | Min | Max | Min | Max | Min | Max | |
| t_{INSU} | 2.417 | — | 2.779 | — | 3.140 | — | ns |
| t_{INH} | 0.000 | — | 0.000 | — | 0.000 | — | ns |
| t_{OUTCO} | 2.000 | 3.724 | 2.000 | 4.282 | 2.000 | 4.843 | ns |
| $t_{INSUPLL}$ | 1.417 | — | 1.629 | — | 1.840 | — | ns |
| t_{INHPLL} | 0.000 | — | 0.000 | — | 0.000 | — | ns |
| $t_{OUTCOPLL}$ | 0.500 | 1.667 | 0.500 | 1.917 | 0.500 | 2.169 | ns |

Table 4–39. EP1C20 Row Pin Global Clock External I/O Timing Parameters

| Symbol | -6 Speed Grade | | -7 Speed Grade | | -8 Speed Grade | | Unit |
|-----------------------|----------------|-------|----------------|-------|----------------|-------|------|
| | Min | Max | Min | Max | Min | Max | |
| t_{INSU} | 2.417 | — | 2.779 | — | 3.140 | — | ns |
| t_{INH} | 0.000 | — | 0.000 | — | 0.000 | — | ns |
| t_{OUTCO} | 2.000 | 3.724 | 2.000 | 4.282 | 2.000 | 4.843 | ns |
| t_{XZ} | — | 3.645 | — | 4.191 | — | 4.740 | ns |
| t_{ZX} | — | 3.645 | — | 4.191 | — | 4.740 | ns |
| t_{INSUPLL} | 1.417 | — | 1.629 | — | 1.840 | — | ns |
| t_{INHPLL} | 0.000 | — | 0.000 | — | 0.000 | — | ns |
| t_{OUTCOPLL} | 0.500 | 1.667 | 0.500 | 1.917 | 0.500 | 2.169 | ns |
| t_{XZPLL} | — | 1.588 | — | 1.826 | — | 2.066 | ns |
| t_{ZXPLL} | — | 1.588 | — | 1.826 | — | 2.066 | ns |

External I/O Delay Parameters

External I/O delay timing parameters for I/O standard input and output adders and programmable input and output delays are specified by speed grade independent of device density.

Tables 4–40 through 4–45 show the adder delays associated with column and row I/O pins for all packages. If an I/O standard is selected other than LVTTTL 4 mA with a fast slew rate, add the selected delay to the external t_{CO} and t_{SU} I/O parameters shown in Tables 4–25 through 4–28.

Table 4–40. Cyclone I/O Standard Column Pin Input Delay Adders (Part 1 of 2)

| I/O Standard | -6 Speed Grade | | -7 Speed Grade | | -8 Speed Grade | | Unit |
|-----------------|----------------|------|----------------|------|----------------|------|------|
| | Min | Max | Min | Max | Min | Max | |
| LVC MOS | — | 0 | — | 0 | — | 0 | ps |
| 3.3-V LVTTTL | — | 0 | — | 0 | — | 0 | ps |
| 2.5-V LVTTTL | — | 27 | — | 31 | — | 35 | ps |
| 1.8-V LVTTTL | — | 182 | — | 209 | — | 236 | ps |
| 1.5-V LVTTTL | — | 278 | — | 319 | — | 361 | ps |
| SSTL-3 class I | — | –250 | — | –288 | — | –325 | ps |
| SSTL-3 class II | — | –250 | — | –288 | — | –325 | ps |
| SSTL-2 class I | — | –278 | — | –320 | — | –362 | ps |

Table 4–40. Cyclone I/O Standard Column Pin Input Delay Adders (Part 2 of 2)

| I/O Standard | -6 Speed Grade | | -7 Speed Grade | | -8 Speed Grade | | Unit |
|-----------------|----------------|------|----------------|------|----------------|------|------|
| | Min | Max | Min | Max | Min | Max | |
| SSTL-2 class II | | –278 | — | –320 | — | –362 | ps |
| LVDS | | –261 | — | –301 | — | –340 | ps |

Table 4–41. Cyclone I/O Standard Row Pin Input Delay Adders

| I/O Standard | -6 Speed Grade | | -7 Speed Grade | | -8 Speed Grade | | Unit |
|-----------------|----------------|------|----------------|------|----------------|------|------|
| | Min | Max | Min | Max | Min | Max | |
| LVC MOS | — | 0 | — | 0 | — | 0 | ps |
| 3.3-V LVTTTL | — | 0 | — | 0 | — | 0 | ps |
| 2.5-V LVTTTL | — | 27 | — | 31 | — | 35 | ps |
| 1.8-V LVTTTL | — | 182 | — | 209 | — | 236 | ps |
| 1.5-V LVTTTL | — | 278 | — | 319 | — | 361 | ps |
| 3.3-V PCI (1) | — | 0 | — | 0 | — | 0 | ps |
| SSTL-3 class I | — | –250 | — | –288 | — | –325 | ps |
| SSTL-3 class II | — | –250 | — | –288 | — | –325 | ps |
| SSTL-2 class I | — | –278 | — | –320 | — | –362 | ps |
| SSTL-2 class II | — | –278 | — | –320 | — | –362 | ps |
| LVDS | — | –261 | — | –301 | — | –340 | ps |

Table 4–42. Cyclone I/O Standard Output Delay Adders for Fast Slew Rate on Column Pins (Part 1 of 2)

| Standard | | -6 Speed Grade | | -7 Speed Grade | | -8 Speed Grade | | Unit |
|--------------|-------|----------------|------|----------------|--------|----------------|--------|------|
| | | Min | Max | Min | Max | Min | Max | |
| LVC MOS | 2 mA | — | 0 | — | 0 | — | 0 | ps |
| | 4 mA | — | –489 | — | –563 | — | –636 | ps |
| | 8 mA | — | –855 | — | –984 | — | –1,112 | ps |
| | 12 mA | — | –993 | — | –1,142 | — | –1,291 | ps |
| 3.3-V LVTTTL | 4 mA | — | 0 | — | 0 | — | 0 | ps |
| | 8 mA | — | –347 | — | –400 | — | –452 | ps |
| | 12 mA | — | –858 | — | –987 | — | –1,116 | ps |
| | 16 mA | — | –819 | — | –942 | — | –1,065 | ps |
| | 24 mA | — | –993 | — | –1,142 | — | –1,291 | ps |

Table 4–42. Cyclone I/O Standard Output Delay Adders for Fast Slew Rate on Column Pins (Part 2 of 2)

| Standard | | -6 Speed Grade | | -7 Speed Grade | | -8 Speed Grade | | Unit |
|-----------------|-------|----------------|-------|----------------|--------|----------------|--------|------|
| | | Min | Max | Min | Max | Min | Max | |
| 2.5-V LVTTTL | 2 mA | — | 329 | — | 378 | — | 427 | ps |
| | 8 mA | — | -661 | — | -761 | — | -860 | ps |
| | 12 mA | — | -655 | — | -754 | — | -852 | ps |
| | 16 mA | — | -795 | — | -915 | — | -1034 | ps |
| 1.8-V LVTTTL | 2 mA | — | 4 | — | 4 | — | 5 | ps |
| | 8 mA | — | -208 | — | -240 | — | -271 | ps |
| | 12 mA | — | -208 | — | -240 | — | -271 | ps |
| 1.5-V LVTTTL | 2 mA | — | 2,288 | — | 2,631 | — | 2,974 | ps |
| | 4 mA | — | 608 | — | 699 | — | 790 | ps |
| | 8 mA | — | 292 | — | 335 | — | 379 | ps |
| SSTL-3 class I | | — | -410 | — | -472 | — | -533 | ps |
| SSTL-3 class II | | — | -811 | — | -933 | — | -1,055 | ps |
| SSTL-2 class I | | — | -485 | — | -558 | — | -631 | ps |
| SSTL-2 class II | | — | -758 | — | -872 | — | -986 | ps |
| LVDS | | — | -998 | — | -1,148 | — | -1,298 | ps |

Table 4–43. Cyclone I/O Standard Output Delay Adders for Fast Slew Rate on Row Pins (Part 1 of 2)

| Standard | | -6 Speed Grade | | -7 Speed Grade | | -8 Speed Grade | | Unit |
|--------------|-------|----------------|------|----------------|--------|----------------|--------|------|
| | | Min | Max | Min | Max | Min | Max | |
| LVCMOS | 2 mA | — | 0 | — | 0 | — | 0 | ps |
| | 4 mA | — | -489 | — | -563 | — | -636 | ps |
| | 8 mA | — | -855 | — | -984 | — | -1,112 | ps |
| | 12 mA | — | -993 | — | -1,142 | — | -1,291 | ps |
| 3.3-V LVTTTL | 4 mA | — | 0 | — | 0 | — | 0 | ps |
| | 8 mA | — | -347 | — | -400 | — | -452 | ps |
| | 12 mA | — | -858 | — | -987 | — | -1,116 | ps |
| | 16 mA | — | -819 | — | -942 | — | -1,065 | ps |
| | 24 mA | — | -993 | — | -1,142 | — | -1,291 | ps |
| 2.5-V LVTTTL | 2 mA | — | 329 | — | 378 | — | 427 | ps |
| | 8 mA | — | -661 | — | -761 | — | -860 | ps |
| | 12 mA | — | -655 | — | -754 | — | -852 | ps |
| | 16 mA | — | -795 | — | -915 | — | -1,034 | ps |

Table 4–43. Cyclone I/O Standard Output Delay Adders for Fast Slew Rate on Row Pins (Part 2 of 2)

| Standard | | -6 Speed Grade | | -7 Speed Grade | | -8 Speed Grade | | Unit |
|-----------------|-------|----------------|-------|----------------|--------|----------------|--------|------|
| | | Min | Max | Min | Max | Min | Max | |
| 1.8-V LVTTTL | 2 mA | — | 1,290 | — | 1,483 | — | 1,677 | ps |
| | 8 mA | — | 4 | — | 4 | — | 5 | ps |
| | 12 mA | — | -208 | — | -240 | — | -271 | ps |
| 1.5-V LVTTTL | 2 mA | — | 2,288 | — | 2,631 | — | 2,974 | ps |
| | 4 mA | — | 608 | — | 699 | — | 790 | ps |
| | 8 mA | — | 292 | — | 335 | — | 379 | ps |
| 3.3-V PCI (1) | | — | -877 | — | -1,009 | — | -1,141 | ps |
| SSTL-3 class I | | — | -410 | — | -472 | — | -533 | ps |
| SSTL-3 class II | | — | -811 | — | -933 | — | -1,055 | ps |
| SSTL-2 class I | | — | -485 | — | -558 | — | -631 | ps |
| SSTL-2 class II | | — | -758 | — | -872 | — | -986 | ps |
| LVDS | | — | -998 | — | -1,148 | — | -1,298 | ps |

Table 4–44. Cyclone I/O Standard Output Delay Adders for Slow Slew Rate on Column Pins (Part 1 of 2)

| I/O Standard | | -6 Speed Grade | | -7 Speed Grade | | -8 Speed Grade | | Unit |
|--------------|-------|----------------|-------|----------------|-------|----------------|-------|------|
| | | Min | Max | Min | Max | Min | Max | |
| LVCMOS | 2 mA | — | 1,800 | — | 2,070 | — | 2,340 | ps |
| | 4 mA | — | 1,311 | — | 1,507 | — | 1,704 | ps |
| | 8 mA | — | 945 | — | 1,086 | — | 1,228 | ps |
| | 12 mA | — | 807 | — | 928 | — | 1,049 | ps |
| 3.3-V LVTTTL | 4 mA | — | 1,831 | — | 2,105 | — | 2,380 | ps |
| | 8 mA | — | 1,484 | — | 1,705 | — | 1,928 | ps |
| | 12 mA | — | 973 | — | 1,118 | — | 1,264 | ps |
| | 16 mA | — | 1,012 | — | 1,163 | — | 1,315 | ps |
| | 24 mA | — | 838 | — | 963 | — | 1,089 | ps |
| 2.5-V LVTTTL | 2 mA | — | 2,747 | — | 3,158 | — | 3,570 | ps |
| | 8 mA | — | 1,757 | — | 2,019 | — | 2,283 | ps |
| | 12 mA | — | 1,763 | — | 2,026 | — | 2,291 | ps |
| | 16 mA | — | 1,623 | — | 1,865 | — | 2,109 | ps |
| 1.8-V LVTTTL | 2 mA | — | 5,506 | — | 6,331 | — | 7,157 | ps |
| | 8 mA | — | 4,220 | — | 4,852 | — | 5,485 | ps |
| | 12 mA | — | 4,008 | — | 4,608 | — | 5,209 | ps |

Table 4–44. Cyclone I/O Standard Output Delay Adders for Slow Slew Rate on Column Pins (Part 2 of 2)

| I/O Standard | | -6 Speed Grade | | -7 Speed Grade | | -8 Speed Grade | | Unit |
|-----------------|------|----------------|-------|----------------|-------|----------------|-------|------|
| | | Min | Max | Min | Max | Min | Max | |
| 1.5-V LVTTTL | 2 mA | — | 6,789 | — | 7,807 | — | 8,825 | ps |
| | 4 mA | — | 5,109 | — | 5,875 | — | 6,641 | ps |
| | 8 mA | — | 4,793 | — | 5,511 | — | 6,230 | ps |
| SSTL-3 class I | | — | 1,390 | — | 1,598 | — | 1,807 | ps |
| SSTL-3 class II | | — | 989 | — | 1,137 | — | 1,285 | ps |
| SSTL-2 class I | | — | 1,965 | — | 2,259 | — | 2,554 | ps |
| SSTL-2 class II | | — | 1,692 | — | 1,945 | — | 2,199 | ps |
| LVDS | | — | 802 | — | 922 | — | 1,042 | ps |

Table 4–45. Cyclone I/O Standard Output Delay Adders for Slow Slew Rate on Row Pins (Part 1 of 2)

| I/O Standard | | -6 Speed Grade | | -7 Speed Grade | | -8 Speed Grade | | Unit |
|--------------|-------|----------------|-------|----------------|-------|----------------|-------|------|
| | | Min | Max | Min | Max | Min | Max | |
| LVCMOS | 2 mA | — | 1,800 | — | 2,070 | — | 2,340 | ps |
| | 4 mA | — | 1,311 | — | 1,507 | — | 1,704 | ps |
| | 8 mA | — | 945 | — | 1,086 | — | 1,228 | ps |
| | 12 mA | — | 807 | — | 928 | — | 1,049 | ps |
| 3.3-V LVTTTL | 4 mA | — | 1,831 | — | 2,105 | — | 2,380 | ps |
| | 8 mA | — | 1,484 | — | 1,705 | — | 1,928 | ps |
| | 12 mA | — | 973 | — | 1,118 | — | 1,264 | ps |
| | 16 mA | — | 1,012 | — | 1,163 | — | 1,315 | ps |
| | 24 mA | — | 838 | — | 963 | — | 1,089 | ps |
| 2.5-V LVTTTL | 2 mA | — | 2,747 | — | 3,158 | — | 3,570 | ps |
| | 8 mA | — | 1,757 | — | 2,019 | — | 2,283 | ps |
| | 12 mA | — | 1,763 | — | 2,026 | — | 2,291 | ps |
| | 16 mA | — | 1,623 | — | 1,865 | — | 2,109 | ps |
| 1.8-V LVTTTL | 2 mA | — | 5,506 | — | 6,331 | — | 7,157 | ps |
| | 8 mA | — | 4,220 | — | 4,852 | — | 5,485 | ps |
| | 12 mA | — | 4,008 | — | 4,608 | — | 5,209 | ps |
| 1.5-V LVTTTL | 2 mA | — | 6,789 | — | 7,807 | — | 8,825 | ps |
| | 4 mA | — | 5,109 | — | 5,875 | — | 6,641 | ps |
| | 8 mA | — | 4,793 | — | 5,511 | — | 6,230 | ps |
| 3.3-V PCI | | — | 923 | — | 1,061 | — | 1,199 | ps |

Table 4–45. Cyclone I/O Standard Output Delay Adders for Slow Slew Rate on Row Pins (Part 2 of 2)

| I/O Standard | -6 Speed Grade | | -7 Speed Grade | | -8 Speed Grade | | Unit |
|-----------------|----------------|-------|----------------|-------|----------------|-------|------|
| | Min | Max | Min | Max | Min | Max | |
| SSTL-3 class I | — | 1,390 | — | 1,598 | — | 1,807 | ps |
| SSTL-3 class II | — | 989 | — | 1,137 | — | 1,285 | ps |
| SSTL-2 class I | — | 1,965 | — | 2,259 | — | 2,554 | ps |
| SSTL-2 class II | — | 1,692 | — | 1,945 | — | 2,199 | ps |
| LVDS | — | 802 | — | 922 | — | 1,042 | ps |

Note to Tables 4–40 through 4–45:

- (1) EP1C3 devices do not support the PCI I/O standard.

Tables 4–46 through 4–47 show the adder delays for the IOE programmable delays. These delays are controlled with the Quartus II software options listed in the Parameter column.

Table 4–46. Cyclone IOE Programmable Delays on Column Pins

| Parameter | Setting | -6 Speed Grade | | -7 Speed Grade | | -8 Speed Grade | | Unit |
|--|---------|----------------|-------|----------------|-------|----------------|-------|------|
| | | Min | Max | Min | Max | Min | Max | |
| Decrease input delay to internal cells | Off | — | 155 | — | 178 | — | 201 | ps |
| | Small | — | 2,122 | — | 2,543 | — | 2,875 | ps |
| | Medium | — | 2,639 | — | 3,034 | — | 3,430 | ps |
| | Large | — | 3,057 | — | 3,515 | — | 3,974 | ps |
| | On | — | 155 | — | 178 | — | 201 | ps |
| Decrease input delay to input register | Off | — | 0 | — | 0 | — | 0 | ps |
| | On | — | 3,057 | — | 3,515 | — | 3,974 | ps |
| Increase delay to output pin | Off | — | 0 | — | 0 | — | 0 | ps |
| | On | — | 552 | — | 634 | — | 717 | ps |

Table 4–47. Cyclone IOE Programmable Delays on Row Pins

| Parameter | Setting | -6 Speed Grade | | -7 Speed Grade | | -8 Speed Grade | | Unit |
|--|---------|----------------|-------|----------------|-------|----------------|-------|------|
| | | Min | Max | Min | Max | Min | Max | |
| Decrease input delay to internal cells | Off | — | 154 | — | 177 | — | 200 | ps |
| | Small | — | 2,212 | — | 2,543 | — | 2,875 | ps |
| | Medium | — | 2,639 | — | 3,034 | — | 3,430 | ps |
| | Large | — | 3,057 | — | 3,515 | — | 3,974 | ps |
| | On | — | 154 | — | 177 | — | 200 | ps |
| Decrease input delay to input register | Off | — | 0 | — | 0 | — | 0 | ps |
| | On | — | 3,057 | — | 3,515 | — | 3,974 | ps |
| Increase delay to output pin | Off | — | 0 | — | 0 | — | 0 | ps |
| | On | — | 556 | — | 639 | — | 722 | ps |

Note to [Table 4–47](#):

- (1) EPC1C3 devices do not support the PCI I/O standard.

Maximum Input and Output Clock Rates

[Tables 4–48](#) and [4–49](#) show the maximum input clock rate for column and row pins in Cyclone devices.

Table 4–48. Cyclone Maximum Input Clock Rate for Column Pins

| I/O Standard | -6 Speed Grade | -7 Speed Grade | -8 Speed Grade | Unit |
|-----------------|----------------|----------------|----------------|------|
| LVTTTL | 464 | 428 | 387 | MHz |
| 2.5 V | 392 | 302 | 207 | MHz |
| 1.8 V | 387 | 311 | 252 | MHz |
| 1.5 V | 387 | 320 | 243 | MHz |
| LVC MOS | 405 | 374 | 333 | MHz |
| SSTL-3 class I | 405 | 356 | 293 | MHz |
| SSTL-3 class II | 414 | 365 | 302 | MHz |
| SSTL-2 class I | 464 | 428 | 396 | MHz |
| SSTL-2 class II | 473 | 432 | 396 | MHz |
| LVDS | 567 | 549 | 531 | MHz |

Table 4–49. Cyclone Maximum Input Clock Rate for Row Pins

| I/O Standard | -6 Speed Grade | -7 Speed Grade | -8 Speed Grade | Unit |
|-----------------|----------------|----------------|----------------|------|
| LVTTTL | 464 | 428 | 387 | MHz |
| 2.5 V | 392 | 302 | 207 | MHz |
| 1.8 V | 387 | 311 | 252 | MHz |
| 1.5 V | 387 | 320 | 243 | MHz |
| LVC MOS | 405 | 374 | 333 | MHz |
| SSTL-3 class I | 405 | 356 | 293 | MHz |
| SSTL-3 class II | 414 | 365 | 302 | MHz |
| SSTL-2 class I | 464 | 428 | 396 | MHz |
| SSTL-2 class II | 473 | 432 | 396 | MHz |
| 3.3-V PCI (1) | 464 | 428 | 387 | MHz |
| LVDS | 567 | 549 | 531 | MHz |

Note to Tables 4–48 through 4–49:

- (1) EP1C3 devices do not support the PCI I/O standard. These parameters are only available on row I/O pins.

Tables 4–50 and 4–51 show the maximum output clock rate for column and row pins in Cyclone devices.

Table 4–50. Cyclone Maximum Output Clock Rate for Column Pins

| I/O Standard | -6 Speed Grade | -7 Speed Grade | -8 Speed Grade | Unit |
|-----------------|----------------|----------------|----------------|------|
| LVTTTL | 304 | 304 | 304 | MHz |
| 2.5 V | 220 | 220 | 220 | MHz |
| 1.8 V | 213 | 213 | 213 | MHz |
| 1.5 V | 166 | 166 | 166 | MHz |
| LVC MOS | 304 | 304 | 304 | MHz |
| SSTL-3 class I | 100 | 100 | 100 | MHz |
| SSTL-3 class II | 100 | 100 | 100 | MHz |
| SSTL-2 class I | 134 | 134 | 134 | MHz |
| SSTL-2 class II | 134 | 134 | 134 | MHz |
| LVDS | 320 | 320 | 275 | MHz |

Note to Table 4–50:

- (1) EP1C3 devices do not support the PCI I/O standard.

Table 4–51. Cyclone Maximum Output Clock Rate for Row Pins

| I/O Standard | -6 Speed Grade | -7 Speed Grade | -8 Speed Grade | Unit |
|-----------------|----------------|----------------|----------------|------|
| LVTTTL | 296 | 285 | 273 | MHz |
| 2.5 V | 381 | 366 | 349 | MHz |
| 1.8 V | 286 | 277 | 267 | MHz |
| 1.5 V | 219 | 208 | 195 | MHz |
| LVC MOS | 367 | 356 | 343 | MHz |
| SSTL-3 class I | 169 | 166 | 162 | MHz |
| SSTL-3 class II | 160 | 151 | 146 | MHz |
| SSTL-2 class I | 160 | 151 | 142 | MHz |
| SSTL-2 class II | 131 | 123 | 115 | MHz |
| 3.3-V PCI (1) | 66 | 66 | 66 | MHz |
| LVDS | 320 | 303 | 275 | MHz |

Note to Tables 4–50 through 4–51:

- (1) EP1C3 devices do not support the PCI I/O standard. These parameters are only available on row I/O pins.

PLL Timing

Table 4–52 describes the Cyclone FPGA PLL specifications.

Table 4–52. Cyclone PLL Specifications (Part 1 of 2)

| Symbol | Parameter | Min | Max | Unit |
|--|---------------------------------------|--------|-------|------|
| f_{IN} | Input frequency (-6 speed grade) | 15.625 | 464 | MHz |
| | Input frequency (-7 speed grade) | 15.625 | 428 | MHz |
| | Input frequency (-8 speed grade) | 15.625 | 387 | MHz |
| f_{IN} DUTY | Input clock duty cycle | 40.00 | 60 | % |
| t_{IN} JITTER | Input clock period jitter | — | ± 200 | ps |
| f_{OUT_EXT} (external PLL clock output) | PLL output frequency (-6 speed grade) | 15.625 | 320 | MHz |
| | PLL output frequency (-7 speed grade) | 15.625 | 320 | MHz |
| | PLL output frequency (-8 speed grade) | 15.625 | 275 | MHz |

Table 4–52. Cyclone PLL Specifications (Part 2 of 2)

| Symbol | Parameter | Min | Max | Unit |
|-----------------------------|--|--------|----------|---------|
| f_{OUT} (to global clock) | PLL output frequency (-6 speed grade) | 15.625 | 405 | MHz |
| | PLL output frequency (-7 speed grade) | 15.625 | 320 | MHz |
| | PLL output frequency (-8 speed grade) | 15.625 | 275 | MHz |
| $t_{OUT DUTY}$ | Duty cycle for external clock output (when set to 50%) | 45.00 | 55 | % |
| t_{JITTER} (1) | Period jitter for external clock output | — | ±300 (2) | ps |
| t_{LOCK} (3) | Time required to lock from end of device configuration | 10.00 | 100 | μs |
| f_{VCO} | PLL internal VCO operating range | 500.00 | 1,000 | MHz |
| - | Minimum areset time | 10 | — | ns |
| N, G0, G1, E | Counter values | 1 | 32 | integer |

Notes to Table 4–52:

- (1) The t_{JITTER} specification for the PLL[2..1]_OUT pins are dependent on the I/O pins in its V_{CCIO} bank, how many of them are switching outputs, how much they toggle, and whether or not they use programmable current strength or slow slew rate.
- (2) $f_{OUT} \geq 100$ MHz. When the PLL external clock output frequency (f_{OUT}) is smaller than 100 MHz, the jitter specification is 60 mUI.
- (3) $f_{IN/N}$ must be greater than 200 MHz to ensure correct lock detect circuit operation below -20 C. Otherwise, the PLL operates with the specified parameters under the specified conditions.

Referenced Document

This chapter references the following documents:

- *Cyclone Architecture* chapter in the *Cyclone Device Handbook*
- *Operating Requirements for Altera Devices Data Sheet*

Document Revision History

Table 4-53 shows the revision history for this chapter.

| Date and Document Version | Changes Made | Summary of Changes |
|----------------------------------|---|---------------------------|
| May 2008 v1.7 | Minor textual and style changes. Added “Referenced Document” section. | — |
| January 2007 v1.6 | <ul style="list-style-type: none"> ● Added document revision history. ● Added new row for V_{CCA} details in Table 4-1. ● Updated R_{CONF} information in Table 4-3. ● Added new <i>Note (12)</i> on voltage overdrive information to Table 4-7 and Table 4-8. ● Updated <i>Note (9)</i> on R_{CONF} information to Table 4-3. ● Updated information in “External I/O Delay Parameters” section. ● Updated speed grade information in Table 4-46 and Table 4-47. ● Updated LVDS information in Table 4-51. | — |
| August 2005 v1.5 | Minor updates. | — |
| February 2005 v1.4 | <ul style="list-style-type: none"> ● Updated information on Undershoot voltage. Updated Table 4-2. ● Updated Table 4-3. ● Updated the undershoot voltage from 0.5 V to 2.0 V in Note 3 of Table 4-16. ● Updated Table 4-17. | — |
| January 2004 v.1.3 | <ul style="list-style-type: none"> ● Added extended-temperature grade device information. Updated Table 4-2. ● Updated I_{CC0} information in Table 4-3. | — |
| October 2003 v.1.2 | <ul style="list-style-type: none"> ● Added clock tree information in Table 4-19. ● Finalized timing information for EP1C3 and EP1C12 devices. Updated timing information in Tables 4-25 through 4-26 and Tables 4-30 through 4-51. ● Updated PLL specifications in Table 4-52. | — |

| | | |
|-------------------|---|---|
| July 2003 v1.1 | Updated timing information. Timing finalized for EP1C6 and EP1C20 devices. Updated performance information. Added PLL Timing section. | — |
| May 2003 v1.0 | Added document to Cyclone Device Handbook. | — |

Software

Cyclone® devices are supported by the Altera® Quartus® II design software, which provides a comprehensive environment for system-on-a-programmable-chip (SOPC) design. The Quartus II software includes HDL and schematic design entry, compilation and logic synthesis, full simulation and advanced timing analysis, SignalTap® II logic analysis, and device configuration.



For more information about the Quartus II software features, refer to the *Quartus II Handbook*.

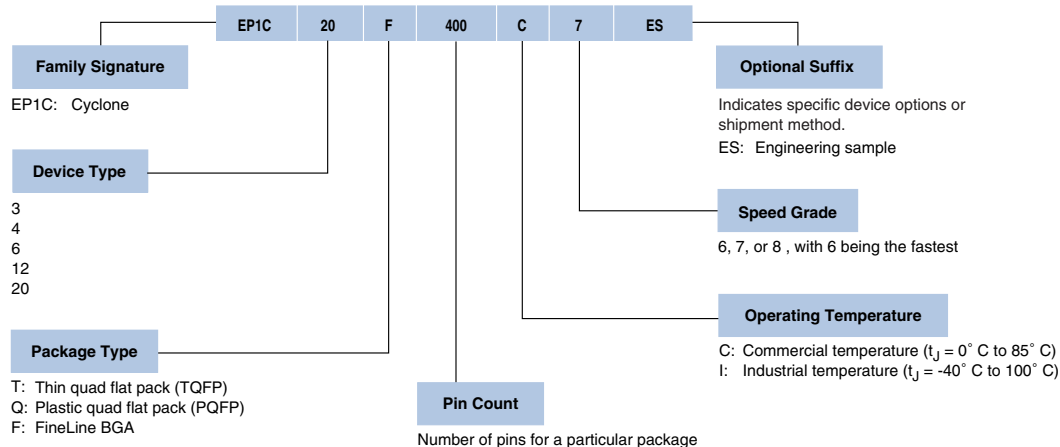
The Quartus II software supports the Windows 2000/NT/98, Sun Solaris, Linux Red Hat v7.1 and HP-UX operating systems. It also supports seamless integration with industry-leading EDA tools through the NativeLink® interface.

Device Pin-Outs

Device pin-outs for Cyclone devices are available on the Altera website (www.altera.com) and in the *Cyclone Device Handbook*.

Ordering Information

Figure 5-1 describes the ordering codes for Cyclone devices. For more information about a specific package, refer to the *Package Information for Cyclone Devices* chapter in the *Cyclone Device Handbook*.

Figure 5–1. Cyclone Device Packaging Ordering Information

Referenced Documents

This chapter references the following documents:

- *Package Information for Cyclone Devices* chapter in the *Cyclone Device Handbook*
- *Quartus II Handbook*

Document Revision History

Table 5–1 shows the revision history for this chapter.

| Date and Document Version | Changes Made | Summary of Changes |
|----------------------------------|--|---------------------------|
| May 2008 v1.4 | Minor textual and style changes. Added “Referenced Documents” section. | — |
| January 2007 v1.3 | Added document revision history. | — |
| August 2005 v1.2 | Minor updates. | — |

Document Revision History

| | | |
|-----------------------|--|---|
| February 2005 v1.1 | Updated Figure 5-1. | — |
| May 2003 v1.0 | Added document to Cyclone Device Handbook. | — |

