

阅读申明

- 1.本站收集的数据手册和产品资料都来自互联网，版权归原作者所有。如读者和版权方有任何异议请及时告之，我们将妥善解决。
- 2.本站提供的中文数据手册是英文数据手册的中文翻译，其目的是协助用户阅读，该译文无法自动跟随原稿更新，同时也可能存在翻译上的不当。建议读者以英文原稿为参考以便获得更精准的信息。
- 3.本站提供的产品资料，来自厂商的技术支持或者使用者的心得体会等，其内容可能存在描述上的差异，建议读者做出适当判断。
- 4.如需与我们联系，请发邮件到marketing@iczoom.com，主题请标有“数据手册”字样。

Read Statement

1. The datasheets and other product information on the site are all from network reference or other public materials, and the copyright belongs to the original author and original published source. If readers and copyright owners have any objections, please contact us and we will deal with it in a timely manner.
2. The Chinese datasheets provided on the website is a Chinese translation of the English datasheets. Its purpose is for reader's learning exchange only and do not involve commercial purposes. The translation cannot be automatically updated with the original manuscript, and there may also be improper translations. Readers are advised to use the English manuscript as a reference for more accurate information.
3. All product information provided on the website refer to solutions from manufacturers' technical support or users the contents may have differences in description, and readers are advised to take the original article as the standard.
4. If you have any questions, please contact us at marketing@iczoom.com and mark the subject with "Datasheets" .

PRODUCT BRIEF:

Logic PD :: Texas Instruments
www.logicpd.com/am1808-som-m1

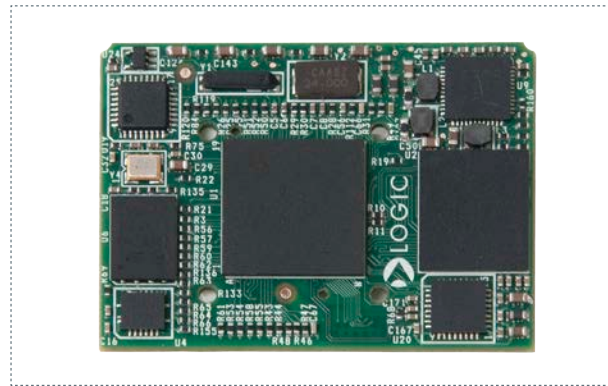
AM1808 SOM-M1 System on Module

The AM1808 System on Module (SOM) is a compact, product-ready hardware and software solution that fast forwards embedded designs while reducing risk and controlling cost.

Based on the Texas Instruments (TI) AM1808 processor and designed in the SOM-M1 form factor, the AM1808 module offers essential features for handheld and embedded networking applications.

The AM1808 SOM-M1 brings the industry leading low power ARM926 core to a small, off-the-shelf solution. The standard SOM-M1 form factor allows developers to reuse existing baseboard designs when upgrading to new Sitara processors, which extends roadmap possibilities for end-products.

The compact size of the AM1808 SOM-M1 is ideal for medical patient monitoring wearables and other portable instrumentation applications; the built-in Serial ATA (SATA) controller provides fast access to large capacity storage devices. For medical, industrial, audio, and communication



AM1808 SOM-M1

products, the AM1808 SOM-M1 allows for powerful versatility, long-life, and greener products.

Two Zoom™ Development Kit options allow developers to choose the platform best suited to their application needs. By starting with the corresponding Zoom Development Kit, engineers can write application software on the same hardware that will be used in their final product.

AM1808 SOM-M1 :: HIGHLIGHTS:

- +Product-ready System on Module with a TI AM1808 processor running at 450 MHz
- +Compact form factor—SOM-M1 (30 x 40 x 4.5 mm)
- +Long product lifecycle
- +Linux™ and Windows® Embedded CE SDKs
- +Commercial temp (0°C to 70°C)
Industrial temp (-40°C to 85°C)
- +RoHS compliant

ZOOM DEVELOPMENT KIT :: OPTIONS:

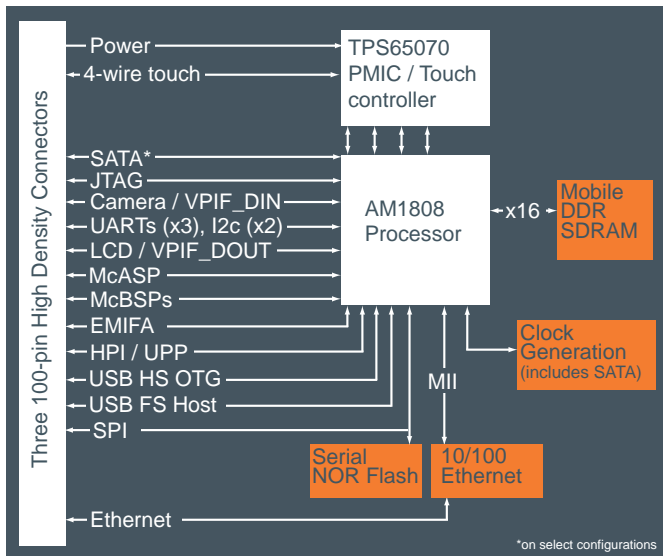
eXperimenter Kit

- +AM1808 SOM-M1
- +Application baseboard
- +4.3" WQVGA LCD panel
- +Necessary accessories to immediately get up and running

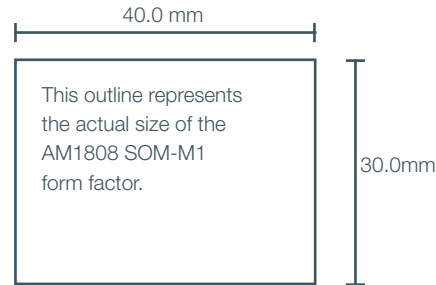
EVM Development Kit

- +AM1808 SOM-M1
- +Application baseboard
- +User Interface (UI) board
- +WLAN daughter card
- +4.3" WQVGA LCD panel
- +Necessary accessories to immediately get up and running

AM1808 SOM-M1 Block Diagram



NOTE: Block diagram is for reference purposes only; it is not drawn to scale.



AM1808 SOM-M1 Ordering Information

| Model Number | Processor | Speed (MHz) | mDDR (MB) | NOR Flash (MB) | Wired Ethernet | SATA | Temp (°C) |
|-----------------------|-----------|-------------|-----------|----------------|----------------|------|-----------|
| SOMAM1808-10-1502QHCR | AM1808 | 450 | 64 | 8 | Y | N | 0°–70° |
| SOMAM1808-10-1602QHIR | AM1808 | 450 | 128 | 8 | Y | N | -40°–85° |

NOTE: Custom configurations are available by special order. Please contact Logic PD Sales for details.

Zoom™ AM1808 Development Kit Ordering Information

| Development Kit ¹ | Model Number | SOM-M1 Configuration Included | Suggested Resale |
|------------------------------|------------------|------------------------------------|--------------------------|
| EVM Development Kit | TMDXEVMWIFI1808L | SOMAM1808-10-1602AHCR ² | <input type="checkbox"/> |
| eXperimenter Kit | TMDSEXP1808L | SOMAM1808-10-1602AHCR ² | <input type="checkbox"/> |

NOTES: 1. The EVM and eXperimenter Kits are available through Texas Instruments distributors.
2. This configuration has added power measurement circuitry.

Product Features

Processor

+TI AM1808 processor with ARM926EJ-S core running at 450 MHz

SDRAM Memory

+Mobile DDR (64 or 128 MB)

Flash Memory

+Scalable serial NOR flash (8 MB standard)

Display

+Programmable color LCD controller supports up to a 16 bpp TFT interface

Touchscreen

+Integrated 4-wire touchscreen controller (TPS65070)

Network Support

+10/100 Base-T Ethernet controller

Serial ATA Controller

+SATA 1.5 & 3.0 Gbps support

PC Card Expansion

+MMC/SD card support

USB

+One USB 2.0 high-speed On-the-Go interface
+One USB 1.1 full-speed host interface

Serial Ports

+Three external UARTs
+Two I2Cs

GPIO

+Programmable I/O depending on peripheral requirements

Software

+U-Boot (bootloader/monitor)
+Linux™ SDK
+Windows® Embedded CE SDK

Mechanical

+SOM-M1 form factor
+30.0 mm wide x 40.0 mm long x 4.5 mm high

RoHS Compliant



411 N. Washington Ave. Suite 400 Minneapolis, MN 55401
T : 612.672.9495 F : 612.672.9489 I : www.logicpd.com
© 2014 Logic PD, Inc. All rights reserved. PN: 1015625 Rev E

LOGIC PD WEBSITE :: DESIGN RESOURCES:

+Logic PD Products : www.logicpd.com/products
+Logic PD Technical Support : www.logicpd.com/support
+Logic PD Sales : www.logicpd.com/contact/inquiry

