

阅读申明

- 1.本站收集的数据手册和产品资料都来自互联网，版权归原作者所有。如读者和版权方有任何异议请及时告之，我们将妥善解决。
- 2.本站提供的中文数据手册是英文数据手册的中文翻译，其目的是协助用户阅读，该译文无法自动跟随原稿更新，同时也可能存在翻译上的不当。建议读者以英文原稿为参考以便获得更精准的信息。
- 3.本站提供的产品资料，来自厂商的技术支持或者使用者的心得体会等，其内容可能存在描述上的差异，建议读者做出适当判断。
- 4.如需与我们联系，请发邮件到marketing@iczoom.com，主题请标有“数据手册”字样。

Read Statement

1. The datasheets and other product information on the site are all from network reference or other public materials, and the copyright belongs to the original author and original published source. If readers and copyright owners have any objections, please contact us and we will deal with it in a timely manner.
2. The Chinese datasheets provided on the website is a Chinese translation of the English datasheets. Its purpose is for reader's learning exchange only and do not involve commercial purposes. The translation cannot be automatically updated with the original manuscript, and there may also be improper translations. Readers are advised to use the English manuscript as a reference for more accurate information.
3. All product information provided on the website refer to solutions from manufacturers' technical support or users the contents may have differences in description, and readers are advised to take the original article as the standard.
4. If you have any questions, please contact us at marketing@iczoom.com and mark the subject with "Datasheets" .

USB5534B

4-Port SS/HS USB Hub Controller

PRODUCT FEATURES

[Datasheet](#)

General Description

The SMSC USB5534B hub is a 4-port SuperSpeed/Hi-Speed, low-power, configurable hub controller family fully compliant with the *USB 3.0 Specification*. The USB5534B supports 5 Gbps SuperSpeed (SS), 480 Mbps Hi-Speed (HS), 12 Mbps Full-Speed (FS) and 1.5 Mbps Low-Speed (LS) USB signalling for complete coverage of all defined USB operating speeds.

The USB5534B supports legacy USB speeds through its USB 2.0 hub controller. The new SuperSpeed hub controller operates in parallel with the USB 2.0 controller, so the 5 Gbps SuperSpeed data transfers are not affected by the slower USB 2.0 traffic.

The USB5534B supports battery charging on a per port basis. On battery charging enabled ports, the devices provide automatic USB data line handshaking. The handshaking supports USB 1.2 Charging Downstream Port (CDP), Dedicated Charging Port (DCP) and legacy devices.

The USB5534B is configured for operation through internal default settings, where custom configurations are supported through an on-chip OTP ROM, an external SPI ROM, or SMBus.

All LED and port control signal pins are under firmware control in order to allow for maximum operational flexibility; those pins can also be configured as GPIOs.

Features

- USB 3.0 compliant 5 Gbps, 480 Mbps, 12 Mbps and 1.5 Mbps operation, USB pins are 5 V tolerant
 - Integrated termination and pull-up/pull-down resistors
- Four downstream USB 3.0 ports
- Supports battery charging of most popular battery powered devices
 - USB-IF Battery Charging rev. 1.2 support (DCP & CDP)
 - Apple Portable product charger emulation
 - Blackberry charger emulation
 - Chinese YD/T 1591-2006 charger emulation
 - Chinese YD/T 1591-2009 charger emulation
 - Supports additional portable devices

- Emulates portable/handheld native wall chargers
 - Charging profiles emulate a handheld device's wall charger to enable fast charging (minutes vs. hours)
- Enables charging from a mobile platform that is off
- Support tablets' high current requirements
- Optimized for low-power operation and low thermal dissipation
- Vendor Specific Messaging (VSM) support for firmware upload over USB
- Configuration via OTP ROM, SPI ROM, or SMBus
- Intelligent charge management with SMSC UCS1002 control
- On-chip 8051 μ C manages GPIOs, VBUS, and other hub signals
- 8 K RAM, 32 K ROM
- One Time programmable (OTP) ROM: 8 kbit
 - Includes on-chip charge pump
- Single 25 MHz XTAL or clock input for all on-chip PLL and clocking requirements
- Supports JTAG boundary scan
- PHYBoost (USB 2.0)
 - Selectable drive strength for improved signal integrity
- VariSense (USB 2.0)
 - controls the receiver sensitivity enabling four programmable levels of USB signal receive sensitivity
- IETF RFC 4122 compliant 128-bit UUID

Software Features

- Compatible with Microsoft Windows 7, Vista, XP, Mac OSX10.4+, and Linux Hub Drivers
- LEDs (configuration dependent)
 - Multi color LED scheme vividly shows port capability and operating speed
 - Embedded 8051 Micro controller for Hub configuration
- Standard hub I/O (port power, over-current sense, LEDs) are GPIOs controlled by a μ C instead of hard coded functions to allow for flexibility for OEM differentiation

Order Numbers:

ORDER NUMBERS*	DESCRIPTION	LEAD-FREE ROHS COMPLIANT PACKAGE	TEMPERATURE RANGE
USB5534B-4100JZX	USB 3.0 4-Port Hub with VSM, Apple/BC 1.2 Charging & SMSC UCS1002 Control	64QFN 9 x 9mm 6.0 mm exposed pad	0°C to 70°C
USB5534Bi-4100JZX			-40°C to 85°C

* Add "TR" to the end of any order number to order tape and reel. Reel size is 3000 pieces.

This product meets the halogen maximum concentration values per IEC61249-2-21

For RoHS compliance and environmental information, please visit www.smsc.com/rohs

Please contact your SMSC sales representative for additional documentation related to this product such as application notes, anomaly sheets, and design guidelines.

Copyright © 2012 SMSC or its subsidiaries. All rights reserved.

Circuit diagrams and other information relating to SMSC products are included as a means of illustrating typical applications. Consequently, complete information sufficient for construction purposes is not necessarily given. Although the information has been checked and is believed to be accurate, no responsibility is assumed for inaccuracies. SMSC reserves the right to make changes to specifications and product descriptions at any time without notice. Contact your local SMSC sales office to obtain the latest specifications before placing your product order. The provision of this information does not convey to the purchaser of the described semiconductor devices any licenses under any patent rights or other intellectual property rights of SMSC or others. All sales are expressly conditional on your agreement to the terms and conditions of the most recently dated version of SMSC's standard Terms of Sale Agreement dated before the date of your order (the "Terms of Sale Agreement"). The product may contain design defects or errors known as anomalies which may cause the product's functions to deviate from published specifications. Anomaly sheets are available upon request. SMSC products are not designed, intended, authorized or warranted for use in any life support or other application where product failure could cause or contribute to personal injury or severe property damage. Any and all such uses without prior written approval of an Officer of SMSC and further testing and/or modification will be fully at the risk of the customer. Copies of this document or other SMSC literature, as well as the Terms of Sale Agreement, may be obtained by visiting SMSC's website at <http://www.smsc.com>. SMSC is a registered trademark of Standard Microsystems Corporation ("SMSC"). Product names and company names are the trademarks of their respective holders.

The Microchip name and logo, and the Microchip logo are registered trademarks of Microchip Technology Incorporated in the U.S.A. and other countries.

SMSC DISCLAIMS AND EXCLUDES ANY AND ALL WARRANTIES, INCLUDING WITHOUT LIMITATION ANY AND ALL IMPLIED WARRANTIES OF MERCHANTABILITY, FITNESS FOR A PARTICULAR PURPOSE, TITLE, AND AGAINST INFRINGEMENT AND THE LIKE, AND ANY AND ALL WARRANTIES ARISING FROM ANY COURSE OF DEALING OR USAGE OF TRADE. IN NO EVENT SHALL SMSC BE LIABLE FOR ANY DIRECT, INCIDENTAL, INDIRECT, SPECIAL, PUNITIVE, OR CONSEQUENTIAL DAMAGES; OR FOR LOST DATA, PROFITS, SAVINGS OR REVENUES OF ANY KIND; REGARDLESS OF THE FORM OF ACTION, WHETHER BASED ON CONTRACT; TORT; NEGLIGENCE OF SMSC OR OTHERS; STRICT LIABILITY; BREACH OF WARRANTY; OR OTHERWISE; WHETHER OR NOT ANY REMEDY OF BUYER IS HELD TO HAVE FAILED OF ITS ESSENTIAL PURPOSE, AND WHETHER OR NOT SMSC HAS BEEN ADVISED OF THE POSSIBILITY OF SUCH DAMAGES.

Conventions

Within this manual, the following abbreviations and symbols are used to improve readability.

Example	Description
BIT	Name of a single bit within a field
FIELD.BIT	Name of a single bit (BIT) in FIELD
x...y	Range from x to y, inclusive
BITS[m:n]	Groups of bits from m to n, inclusive
PIN	Pin Name
zzzzb	Binary number (value zzzz)
0zzzz	Hexadecimal number (value zzz)
zzh	Hexadecimal number (value zz)
rsvd	Reserved memory location. Must write 0, read value indeterminate
code	Instruction code, or API function or parameter
<i>Section Name</i>	Section or Document name
x	Don't care
<Parameter>	<> indicate a Parameter is optional or is only used under some conditions
{,Parameter}	Braces indicate Parameter(s) that repeat one or more times
[Parameter]	Brackets indicate a nested Parameter. This Parameter is not real and actually decodes into one or more real parameters.

Table of Contents

Chapter 1	Block Diagram	8
Chapter 2	Overview	9
2.1	Configurable Features	9
Chapter 3	Pin Information	10
3.1	Pin Configurations	10
3.2	Pin Descriptions (Grouped by Function)	11
3.3	Buffer Type Descriptions	14
Chapter 4	Configuration Options	15
4.1	SPI ROM	15
4.2	SMBus	15
4.2.1	SMBus Legacy Mode	15
4.2.2	SMBus Advanced Mode	15
Chapter 5	Interfacing to the USB5534B	16
5.1	SPI Interface	16
5.1.1	Operation of the Hi-Speed Read Sequence	16
5.1.2	Operation of the Dual Hi-Speed Read Sequence	17
5.1.3	32-Byte Cache	18
5.1.4	Interface Operation to SPI Port When Not Doing Fast Reads	18
5.1.5	SPI Timing	21
5.2	SMBus Slave Interface	22
5.2.1	Pull-Up Resistor for SMBus	22
5.2.2	Protocol Implementation	22
5.2.3	Slave Device Timeout	23
5.2.4	Stretching the SCLK Signal	23
5.2.5	Bus Reset Sequence	23
5.2.6	SMBus Alert Response Address	23
5.2.7	SMBus Timing	24
5.3	Reset	25
5.3.1	Internal POR	25
5.3.2	External Hardware Reset	25
Chapter 6	DC Parameters	26
6.1	Maximum Guaranteed Ratings	26
6.2	Operating Conditions	27
6.3	DC Electrical Characteristics	28
6.4	Capacitance	29
Chapter 7	AC Specifications	30
7.1	Oscillator/Crystal	30
7.2	External Clock	31
7.2.1	SMBus Clock	31
7.2.2	USB 2.0	31
Chapter 8	Package Drawing	32

Chapter 9 Revision History	34
Appendix A (Acronyms)	35
Appendix B (References)	36

List of Tables

Table 3.1	USB5534B Pin Descriptions	11
Table 3.2	Buffer Type Descriptions	14
Table 5.1	SPI Timing Operation	21
Table 5.2	SMBus Slave Timing Modes	24
Table 6.1	DC Electrical Characteristics	28
Table 6.2	Pin Capacitance	29
Table 7.1	Crystal Circuit Legend	30
Table 8.1	USB5534B 64-Pin QFN Dimensions	32
Table 9.1	Customer Revision History	34

List of Figures

Figure 1.1	USB5534B Block Diagram	8
Figure 3.1	USB5534B 64-Pin QFN	10
Figure 5.1	SPI Hi-Speed Read Operation	16
Figure 5.2	SPI Hi-Speed Read Sequence	17
Figure 5.3	SPI Dual Hi-Speed Read Operation	17
Figure 5.4	SPI Dual Hi-Speed Read Sequence	18
Figure 5.5	SPI Internally-Controlled Operation	18
Figure 5.6	SPI Erase Sequence	19
Figure 5.7	SPI Byte Program	19
Figure 5.8	SPI Command Only Sequence	20
Figure 5.9	SPI JEDEC-ID Sequence	20
Figure 5.10	SPI Timing	21
Figure 5.11	SMBus Slave Connection	22
Figure 5.12	Block Write	23
Figure 5.13	Block Read	23
Figure 5.14	SMBus Slave Timing Diagram	24
Figure 6.1	Supply Rise Time Model	27
Figure 7.1	Typical Crystal Circuit	30
Figure 7.2	Formula to Find the Value of C1 and C2	30
Figure 8.1	USB5534B 64 Pin QFN Package	32
Figure 8.2	Recommended PCB Land Pattern	33

Chapter 1 Block Diagram

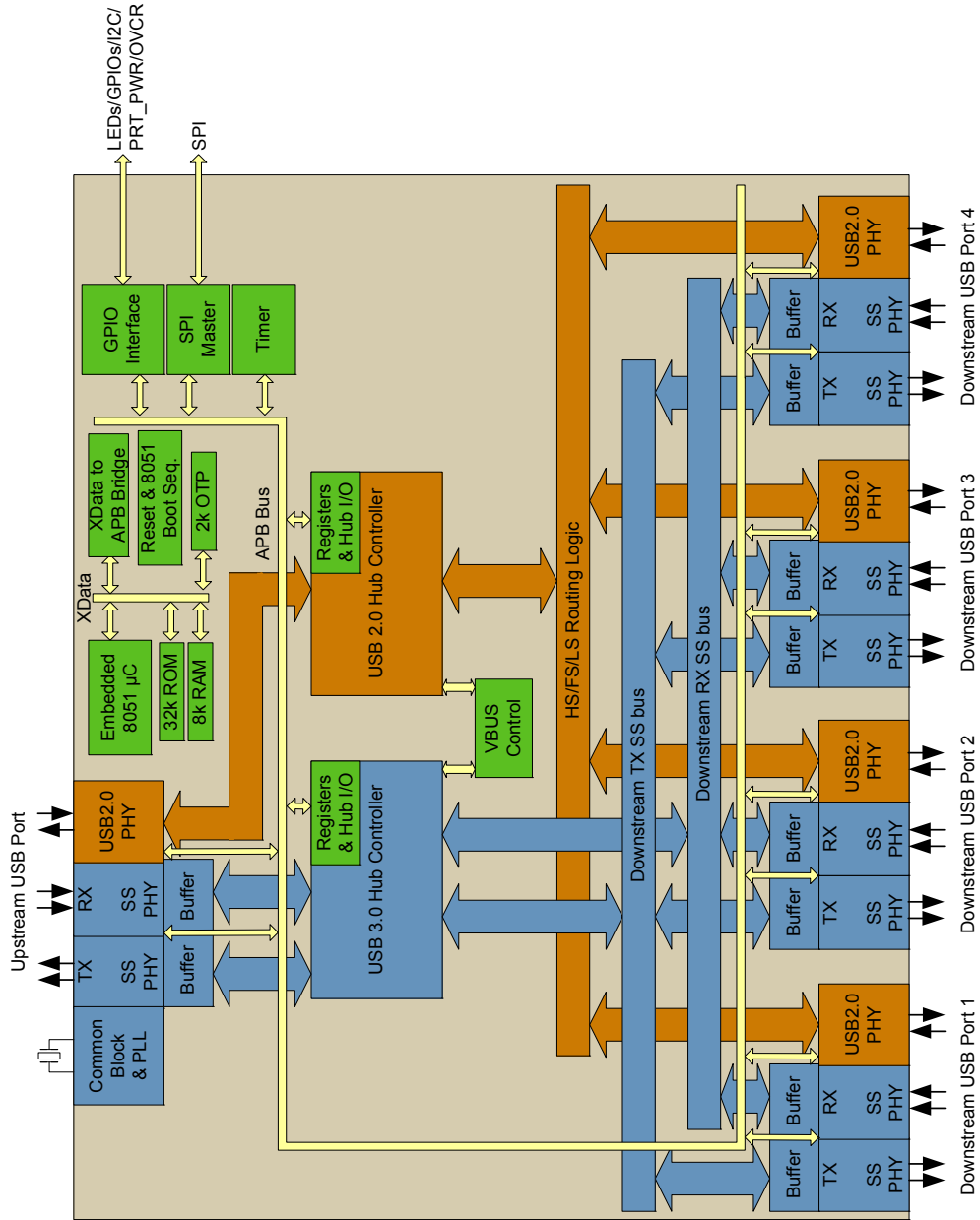


Figure 1.1 USB5534B Block Diagram

Chapter 2 Overview

The SMSC USB5534B hub is a 4-port, low-power, configurable Hub Controller fully compliant with the *USB 3.0 Specification* [2]. The USB5534B supports 5 Gbps SuperSpeed (SS), 480 Mbps Hi-Speed (HS), 12 Mbps Full-Speed (FS) and 1.5 Mbps Low-Speed (LS) USB signalling for complete coverage of all defined USB operating speeds.

All required resistors on the USB ports are integrated into the hub. This includes all series termination resistors and all required pull-down and pull-up resistors on D+ and D- pins. The over-current sense inputs for the downstream facing ports have internal pull-up resistors.

The USB5534B hub includes programmable features such as:

- **MultiTRAK™ Technology:** implements a dedicated Transaction Translator (TT) for each port. Dedicated TTs help maintain consistent full-speed data throughput regardless of the number of active downstream connections.
- **PortSwap:** allows direct alignment of USB signals (D+/D-) to connectors to avoid uneven trace length or crossing of the USB differential signals on the PCB.
- **PHYBoost:** enables 4 programmable levels of USB signal drive strength in downstream port transceivers. PHYBoost will also attempt to restore USB signal integrity.

2.1 Configurable Features

The SMSC USB5534B hub controller provides a default configuration that is sufficient for most applications. When the hub is initialized in the default configuration, the following features may be configured:

- Downstream non-removable ports, where the hub will automatically report as a compound device
- Downstream disabled ports
- Downstream port power control and over-current detection on a ganged or individual basis
- USB signal drive strength
- USB differential pair pin location

The USB5534B hub controllers can alternatively be configured by OTP or as an SMBus slave device. When the hub is configured by an OTP or over SMBus, the following configurable features are provided:

- Support for compound devices on a port-by-port basis
- Selectable over-current sensing and port power control on an individual or ganged basis to match the circuit board component selection
- Customizable vendor ID, product ID, and device ID
- Configurable delay time for filtering the over-current sense inputs
- Indication of the maximum current that the hub consumes from the USB upstream port
- Indication of the maximum current required for the hub controller
- Custom string descriptors (up to 30 characters):
Product, manufacturer, and serial number

Chapter 3 Pin Information

This chapter outlines the pinning configurations for each chip. The detailed pin descriptions are listed by function in [Section 3.2: Pin Descriptions \(Grouped by Function\)](#) on page 11.

3.1 Pin Configurations

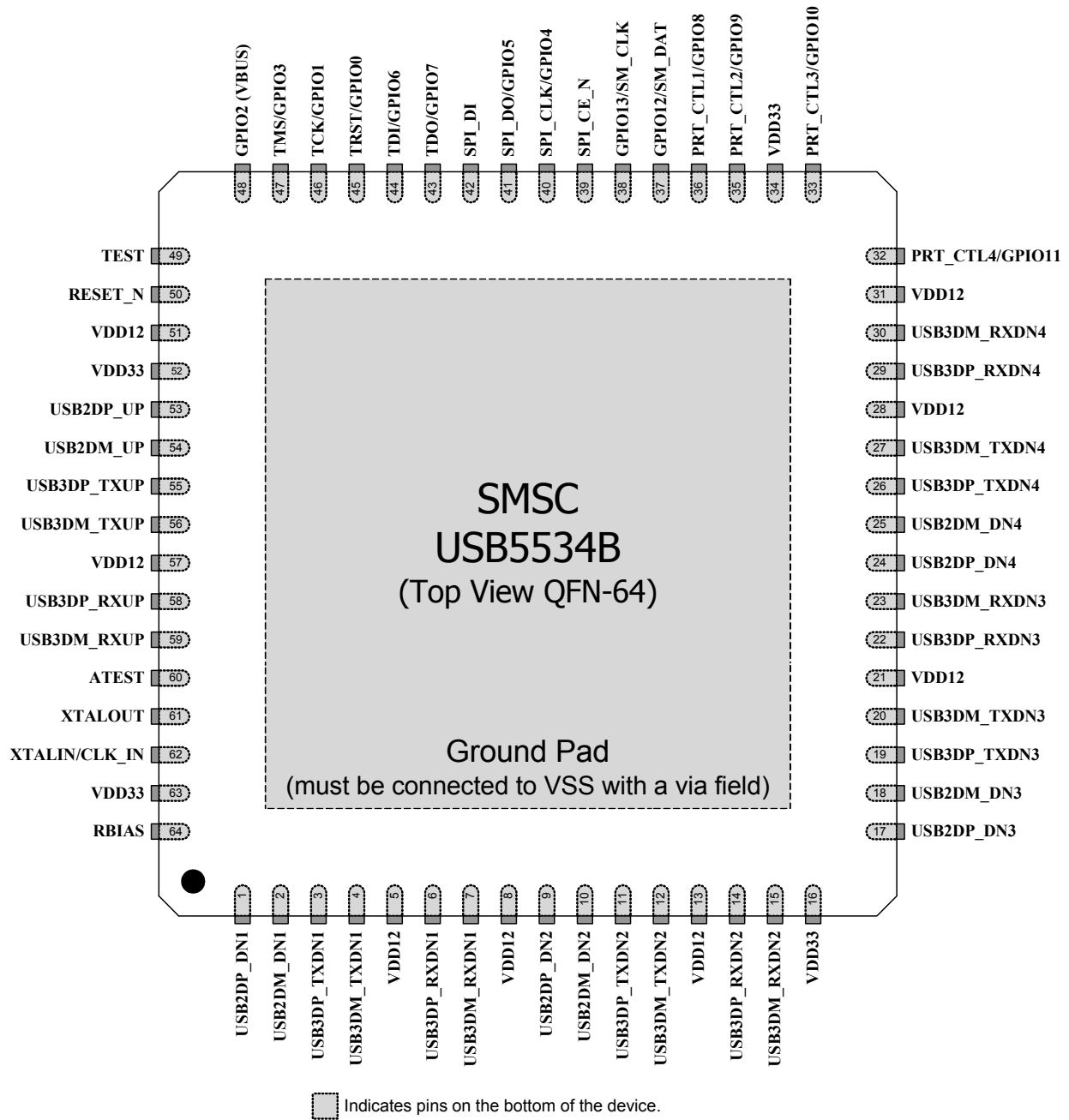


Figure 3.1 USB5534B 64-Pin QFN

3.2 Pin Descriptions (Grouped by Function)

An *N* at the end of a signal name indicates that the active (asserted) state occurs when the signal is at a low voltage level. When the *N* is not present, the signal is asserted when it is at a high voltage level. The terms assertion and negation are used exclusively in order to avoid confusion when working with a mixture of active low and active high signals. The term assert, or assertion, indicates that a signal is active, independent of whether that level is represented by a high or low voltage. The term negate, or negation, indicates that a signal is inactive.

Table 3.1 USB5534B Pin Descriptions

SYMBOL	BUFFER TYPE	DESCRIPTION
USB 3.0 INTERFACE		
USB3DP_TXUP	IO-U	USB 3 Upstream Upstream SuperSpeed transmit data plus
USB3DM_TXUP	IO-U	USB 3 Upstream Upstream SuperSpeed transmit data minus
USB3DP_RXUP	IO-U	USB 3 Upstream Upstream SuperSpeed receive data plus
USB3DM_RXUP	IO-U	USB 3 Upstream Upstream SuperSpeed receive data minus
USB3DP_TXDN[4:1]	IO-U	USB 3 Downstream Downstream SuperSpeed transmit data plus for ports 1 through 4.
USB3DM_TXDN[4:1]	IO-U	USB 3 Downstream Downstream SuperSpeed transmit data minus for ports 1 through 4.
USB3DP_RXDN[4:1]	IO-U	USB 3 Downstream Downstream SuperSpeed receive data plus for ports 1 through 4.
USB3DM_RXDN[4:1]	IO-U	USB 3 Downstream Downstream SuperSpeed receive data minus for ports 1 through 4.
USB 2.0 INTERFACE		
USB2DP_UP	IO-U	USB Bus Data These pins connect to the upstream USB bus data signals.
USB2DM_UP	IO-U	USB Bus Data These pins connect to the upstream USB bus data signals.
USB2DP_DN[4:1]	IO-U	USB Downstream Downstream Hi-Speed data plus for ports 1 through 4.
USB2DM_DN[4:1]	IO-U	USB Downstream Downstream Hi-Speed data minus for ports 1 through 4.

Table 3.1 USB5534B Pin Descriptions (continued)

SYMBOL	BUFFER TYPE	DESCRIPTION
USB PORT CONTROL		
PRT_PWR[4:1]/ PRT_CTL[4:1]/ GPIO[11:8]	O12	USB Power Enable Enables power to USB peripheral devices downstream.
GPIO2 (VBUS)	I/O12	Upstream VBUS Power Detect This pin can be used to detect the state of the upstream bus power.
SPI INTERFACE (4 PINS)		
SPI_CE_N	I/O12	SPI Enable
SPI_CLK	I/O12	SPI Clock
GPIO4		This pin may be used either as an input; edge sensitive interrupt input; or output. Custom firmware is required to activate this function.
SPI_DO	I/O12PD	SPI Serial Data Out The output for the SPI port.
GPIO5		General Purpose I/O Pin 5 This pin may be used either as an input; edge sensitive interrupt input; or output. Custom firmware is required to activate this function.
SPI_DI	I/O12	SPI Serial Data In The SPI data in to the controller from the ROM. This pin has a weak internal pull-down applied at all times to prevent floating.
JTAG/LED/OCS INTERFACE		
TRST	I/O12PD	JTAG Asynchronous Reset Note: Only available in test mode.
LED0/ GPIO0		Customizable LED Output 0
TCK	I/O12	JTAG Clock This input is used for JTAG boundary scan and has a weak pull-down. It can be left floating or grounded when not used. If the JTAG is connected, then this signal will be detected high, and the software disables the pull up after reset. Note: Only available in test mode.
LED1		Customizable LED Output 1
GPIO1 (OCS1)		Over-Current Sense 1 Input from external current monitor indicating an over-current condition.

Table 3.1 USB5534B Pin Descriptions (continued)

SYMBOL	BUFFER TYPE	DESCRIPTION
TMS	I/O12	JTAG TMS Used for JTAG boundary scan. Note: Only available in test mode.
GPIO3 (OCS2)		Over-Current Sense 2 Input from external current monitor indicating an over-current condition.
TDI	I/O12	JTAG TDI Used for JTAG boundary scan. Note: Only available in test mode.
GPIO6 (OCS3)		Over-Current Sense 3 Input from external current monitor indicating an over-current condition.
TDO	I/O12	JTAG TDO Used for JTAG boundary scan. Note: Only available in test mode.
GPIO7 (OCS4)		Over-Current Sense 4 Input from external current monitor indicating an over-current condition.
MISC		
RESET_N	IS	Reset Input The system uses this active low signal to reset the chip. The active low pulse should be at least 1 μ s wide.
XTALIN	ICLKx	Crystal Input: 25 MHz crystal. This pin connects to either one terminal of the crystal or to an external 25 MHz clock when a crystal is not used.
CLK_IN		External Clock Input This pin connects to either one terminal of the crystal or to an external 25 MHz clock when a crystal is not used.
XTALOUT	OCLKx	Crystal Output The clock output, providing a crystal 25 MHz. When an external clock source is used to drive XTALIN/CLK_IN, this pin becomes a no connect.
TEST	IPD	Test Pin Treat as a no connect pin or connect to ground. No trace or signal should be routed or attached to this pin.
RBIAS	I-R	USB Transceiver Bias A12.0 k Ω (+/- 1%) resistor is attached from ground to this pin to set the transceiver's internal bias settings.
ATEST	A	Analog Test Pin This signal is used for testing the chip and must always be connected to ground.

Table 3.1 USB5534B Pin Descriptions (continued)

SYMBOL	BUFFER TYPE	DESCRIPTION
GPIO13	I/O12	General Purpose I/O Pin 13
SM_CLK		SMBus Clock
GPIO12	I/O12	General Purpose I/O Pin 12
SM_DAT		SMBus Data Pin
DIGITAL AND POWER		
(4) VDD33		3.3 V Power
(8) VDD12		1.25 V Power
VSS		Ground Pad This exposed pad is the device's only connection to VSS and the primary thermal conduction path. Connect to an appropriate via field.

3.3 Buffer Type Descriptions

Table 3.2 Buffer Type Descriptions

BUFFER TYPE	DESCRIPTION
I	Input
I/O	Input/output
IPD	Input with internal weak pull-down resistor
IPU	Input with internal weak pull-up resistor
IS	Input with Schmitt trigger
O12	Output 12 mA
I/O12	Input/output buffer with 12 mA sink and 12 mA source
I/OSD12	Open drain with Schmitt trigger and 12 mA sink.
ICLKx	XTAL clock input
OCLKx	XTAL clock output
I-R	RBIAS
I/O-U	Analog input/output defined in USB specification

Chapter 4 Configuration Options

The USB5534B must be configured in order to correctly function when attached to a USB host controller. The hub can be configured either internally or externally depending on the implemented interface (see [Chapter 5: Interfacing to the USB5534B](#) on page 16 for details).

4.1 SPI ROM

When the SPI interface is configured, the USB5534B will perform code execution from an external SPI ROM.

4.2 SMBus

Two SMBus modes (based on the used slave address) are available: Legacy and Advanced.

4.2.1 SMBus Legacy Mode

The SMBus Legacy Mode provides access to all internal USB 2.0 registers, and is enabled based on the 7-bit slave address of 0101100b. The hub will not respond to the general call address of 0000000b.

4.2.2 SMBus Advanced Mode

The SMBus Advanced Mode provides access to all USB 2.0 and USB 3.0 registers, and is enabled based on the 7-bit slave address of 0101101b. The hub will not respond to the general call address of 0000000b. The protocol is based on the SMBus block read/write, except the register offset is extended to 16 bits (high byte, low byte).

Chapter 5 Interfacing to the USB5534B

The hub will interface to external memory depending on configuration of the USB5534B pins associated with each interface type. The USB5534B will first check to see whether an external SPI Flash is present. If present, the chip will operate entirely from the external ROM. When an external SPI Flash is not present, the USB5534B will look to see whether SMBus is configured. When SMBus is enabled, the SMBus can operate in either legacy (USB 2.0 only) or advanced mode (access to both USB 2.0 and 3.0 registers). If no external options are detected, the USB5534B will operate from the internal OTP memory.

5.1 SPI Interface

The USB5534B is capable of code execution from an external SPI ROM. On power up, the firmware looks for an external SPI flash device that contains a valid signature of $2DFU$ (device firmware upgrade) beginning at address $0xFFFFA$. If a valid signature is found, then the external ROM is enabled and the code execution begins at address $0x0000$ in the external SPI device. If a valid signature is not found, then execution continues from internal ROM. The following sections describe the interface options to the external SPI ROM.

5.1.1 Operation of the Hi-Speed Read Sequence

The SPI controller will automatically handle code reads going out to the SPI ROM Address. When the controller detects a read, the controller drops the SPI_CE , and puts out a $0x0B$, followed by the 24-bit address. The SPI controller then puts out a DUMMY byte. The next eight clocks clock in the first byte. When the first byte is clocked in a ready signal is sent back to the processor, and the processor gets one byte.

After the processor gets the first byte, its address will change. If the address is one more than the last address, the SPI controller will clock out one more byte. If the address is anything other than one more than the last address, the SPI controller will terminate the transaction by taking SPI_CE high. As long as the addresses are sequential, the SPI Controller will keep clocking in data.

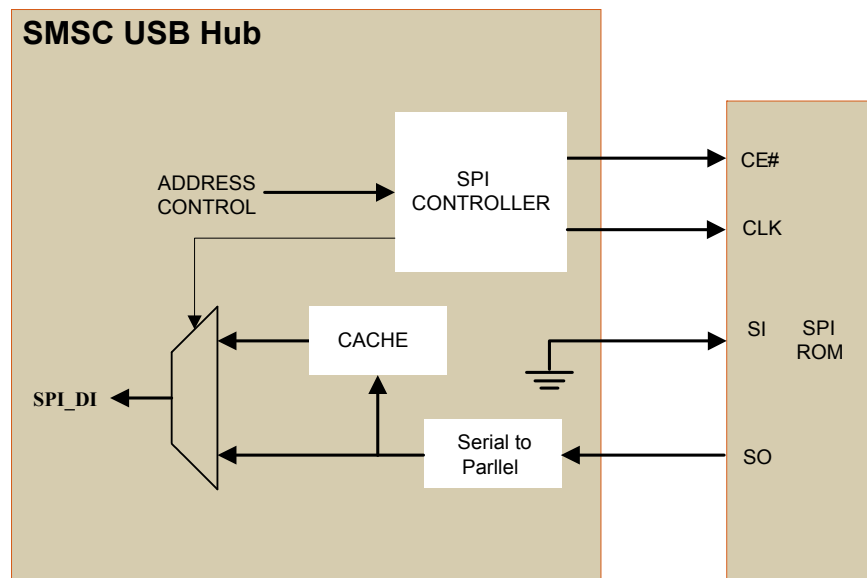


Figure 5.1 SPI Hi-Speed Read Operation

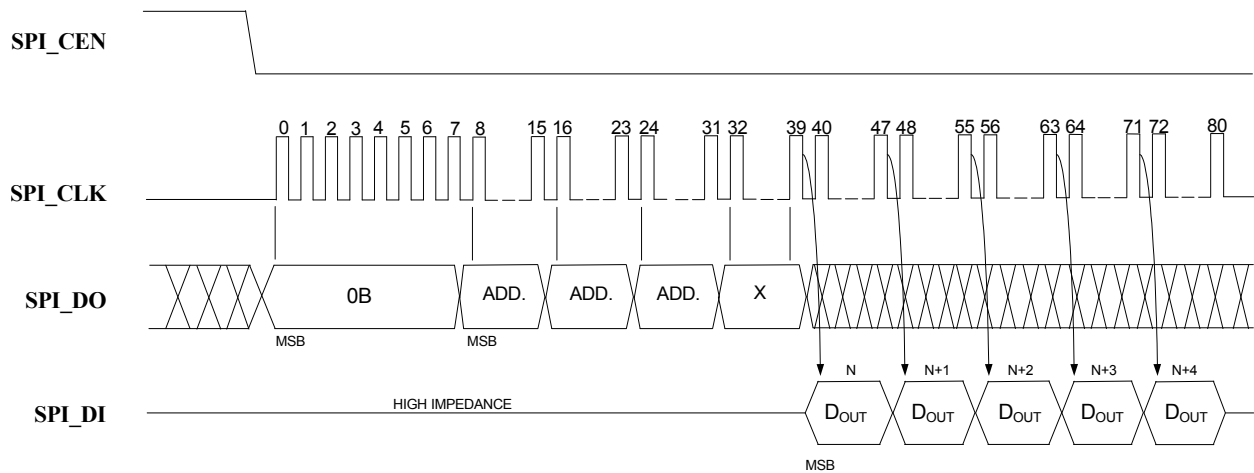


Figure 5.2 SPI Hi-Speed Read Sequence

5.1.2 Operation of the Dual Hi-Speed Read Sequence

The SPI controller will also support dual data mode. When configured in dual mode, the SPI controller will automatically handle reads going out to the SPI ROM. When the controller detects a read, the controller drops the **SPI_CE_N**, and puts out a 0x3B, followed by the 24-bit address. The SPI controller then puts out a DUMMY byte. The next four clocks clock in the first byte. The data appears two bits at a time on data out and data in. When the first byte is clocked in a ready signal is sent back to the processor, and the processor gets one byte.

After the processor gets the first byte, the address will change. If the address is one more than the last address, the SPI controller will clock out one more byte. If the address is anything other than one more than the last address, the SPI controller will terminate the transaction by taking **SPI_CE_N** high. As long as the addresses are sequential, the SPI Controller will keep clocking in data.

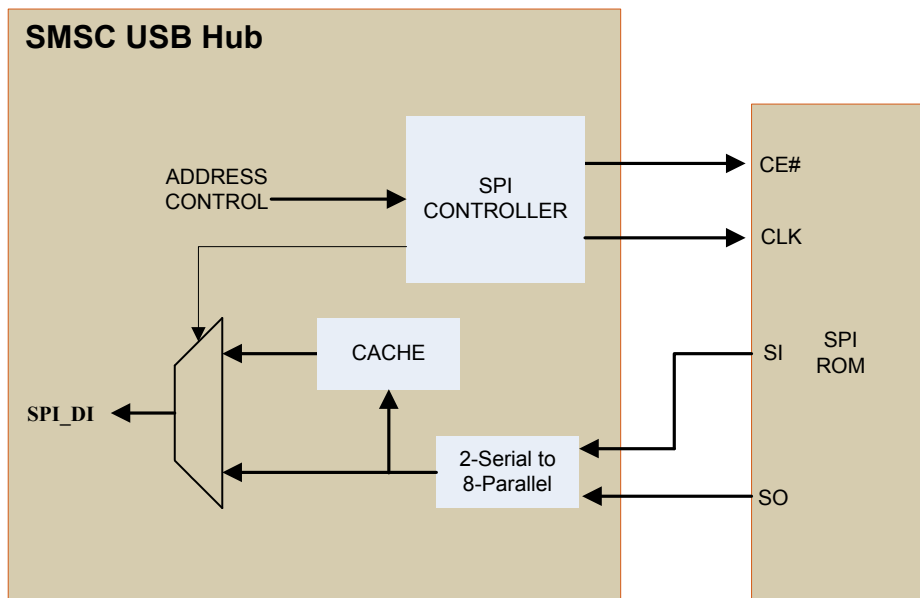


Figure 5.3 SPI Dual Hi-Speed Read Operation

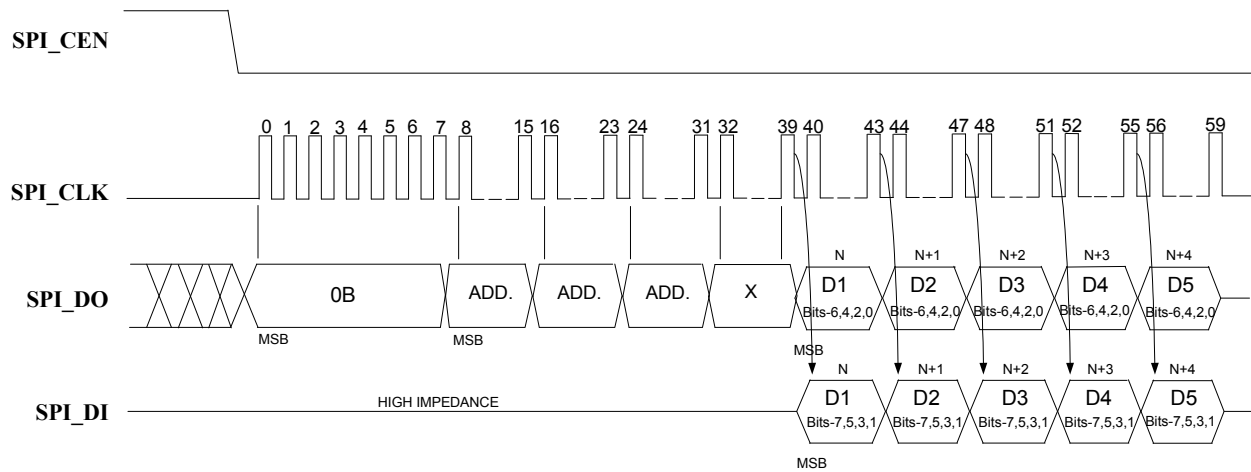


Figure 5.4 SPI Dual Hi-Speed Read Sequence

5.1.3 32-Byte Cache

There is a 32-byte pipeline cache, and associated with the cache is a base address pointer and a length pointer. Once the SPI controller detects a jump, the base address pointer is initialized to that address. As each new sequential data byte is fetched, the data is written into the cache, and the length is incremented. If the sequential run exceeds 32 bytes, the base address pointer is incremented to indicate the last 32 bytes fetched. If the USB5534B does a jump, and the jump is in the cache address range, the fetch is done in 1 clock from the internal cache instead of an external access.

5.1.4 Interface Operation to SPI Port When Not Doing Fast Reads

There is an 8-byte command buffer: SPI_CMD_BUF[7:0]; an 8-byte response buffer: SPI_RESP_BUF[7:0]; and a length register that counts out the number of bytes: SPI_CMD_LEN. Additionally, there is a self-clearing GO bit in the SPI_CTL Register. Once the GO bit is set, the device drops SPI_CE_N, and starts clocking. It will put out SPI_CMD_LEN X 8 number of clocks. After the first byte, the COMMAND, has been sent out, and the SPI_DI is stored in the SPI_RESP buffer. If the SPI_CMD_LEN is longer than the SPI_CMD_BUF, don't cares are sent out on the SPI_DO line. This mode is used for program execution out of internal RAM or ROM.

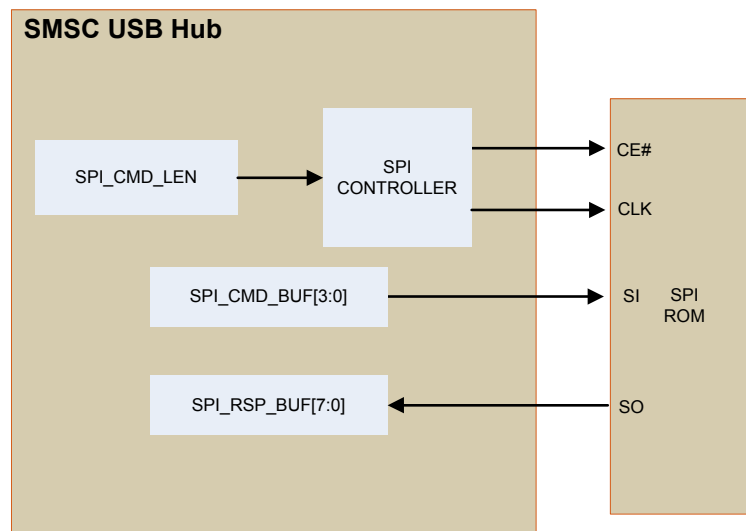


Figure 5.5 SPI Internally-Controlled Operation

5.1.4.1 ERASE EXAMPLE

To perform a SCTR_ERASE, 32BLK_ERASE, or 64BLK_ERASE, the device writes 0x20, 0x52, or 0xD8, respectively to the first byte of the command buffer, followed by a 3-byte address. The length of the transfer is set to 4 bytes. To do this, the device first drops SPI_CE_N, then counts out 8 clocks. It then puts out the 8 bits of command, followed by 24 bits of address of the location to be erased on the SPI_DO pin. When the transfer is complete, the SPI_CE_N goes high, while the SPI_DI line is ignored in this example.

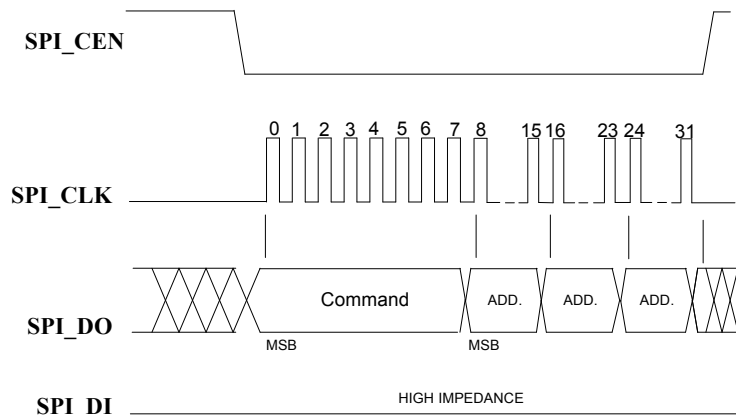


Figure 5.6 SPI Erase Sequence

5.1.4.2 BYTE PROGRAM EXAMPLE

To perform a Byte Program, the device writes 0x02 to the first byte of the command buffer, followed by a 3-byte address of the location that will be written to, and one data byte. The length of the transfer is set to 5 bytes. The device first drops SPI_CE_N, 8 bits of command are clocked out, followed by 24 bits of address, and one byte of data on the SPI_DO pin. The SPI_DI line is not used in this example.

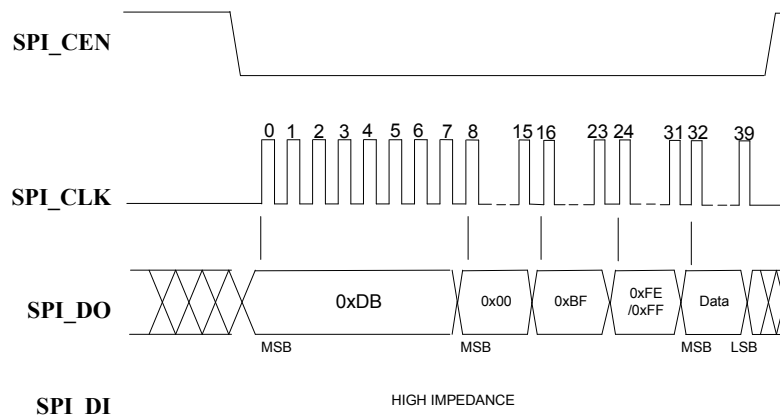


Figure 5.7 SPI Byte Program

5.1.4.3 COMMAND ONLY PROGRAM EXAMPLE

To perform a single byte command such as the following:

- WRDI
- WREN
- EWSR
- CHIP_ERASE
- EBSY
- DBSY

The device writes the opcode into the first byte of the SPI_CMD_BUF and the SPI_CMD_LEN is set to one. The device first drops SPI_CE, then 8 bits of the command are clocked out on the SPI_DO pin. The SPI_DI is not used in this example.

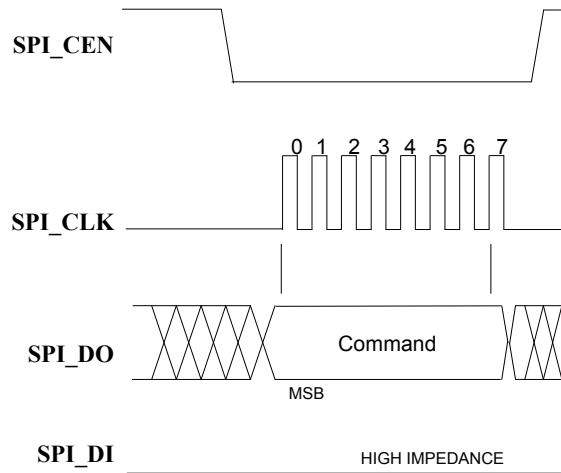


Figure 5.8 SPI Command Only Sequence

5.1.4.4 JEDEC-ID READ EXAMPLE

To perform a JEDEC-ID command, the device writes 0x9F into the first byte of the SPI_CMD_BUF and the length of the transfer is 4 bytes. The device first drops SPI_CE_N, then 8 bits of the command are clocked out, followed by the 24 bits of dummy bytes (due to the length being set to 4) on the SPI_DO pin. When the transfer is complete, the SPI_CE_N goes high. After the first byte, the data on SPI_DI is clocked into the SPI_RSP_BUF. At the end of the command, there are three valid bytes in the SPI_RSP_BUF. In this example, 0xBF, 0x25, 0x8E.

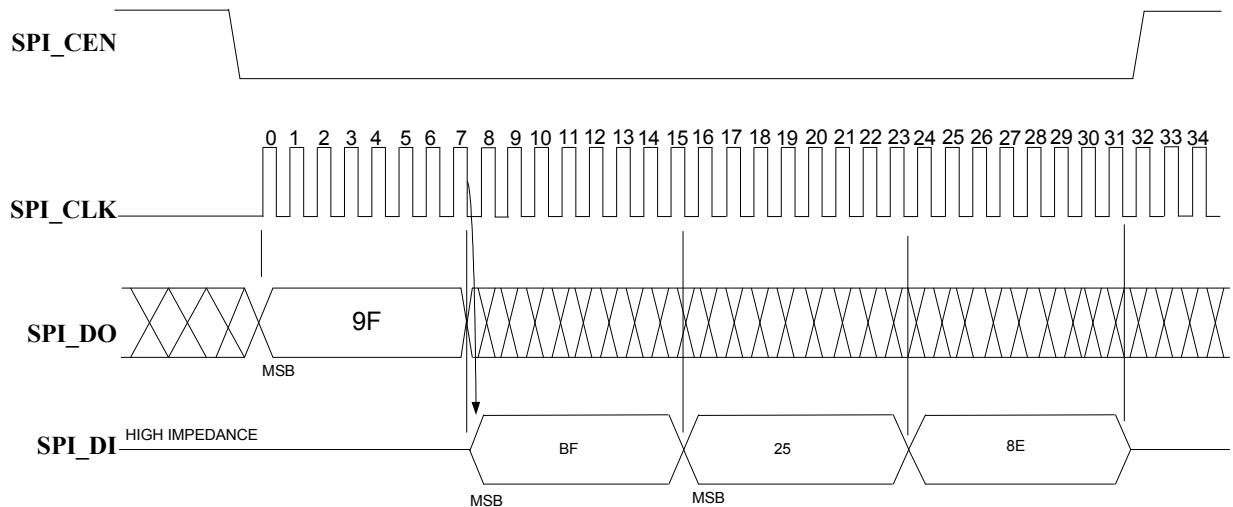


Figure 5.9 SPI JEDEC-ID Sequence

5.1.5 SPI Timing

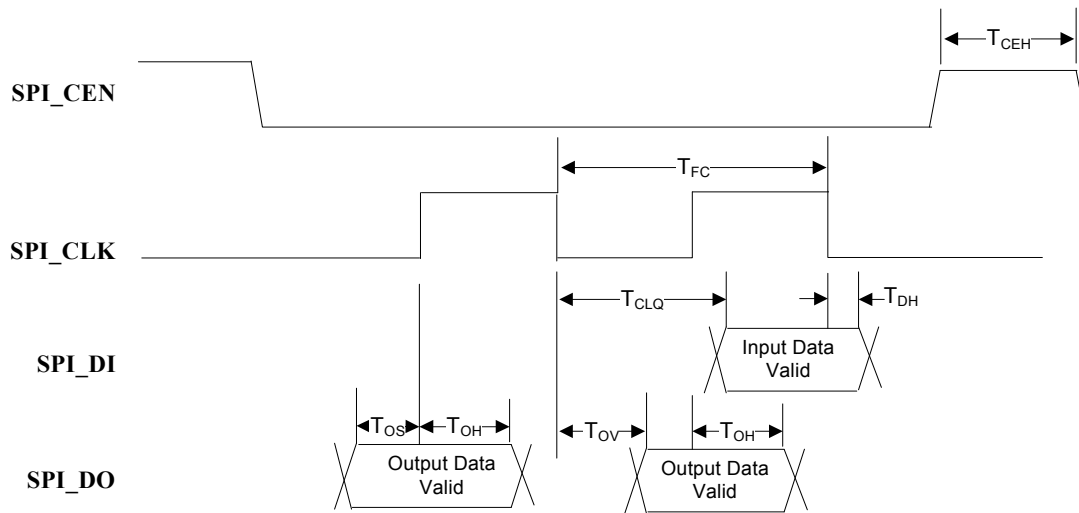


Figure 5.10 SPI Timing

Name	Parameter	Min	Max	Unit
T_{FC}	Clock Frequency		60	MHz
T_{CEH}	Chip Enable High Time	50		ns
T_{CLQ}	Clock to Input Data		9	ns
T_{DH}	Input Data Hold Time	0		ns
T_{OS}	Output Set up Time	5		ns
T_{OH}	Output Hold Time	5		ns
T_{OV}	Clock to Output Valid	4		ns

Table 5.1 SPI Timing Operation

5.2 SMBus Slave Interface

The SMBus slave interface is enabled when pull-up resistors are detected on both `SM_DAT` and `SM_CLK` for the first millisecond after reset. If the SMBus interface is enabled, then the USB5534B will wait indefinitely for the SMBus host to configure the device. Once SMBus configuration is complete, device initialization will proceed. To disable the SMBus, a pull-down resistor of 10 k Ω must be applied to `SM_DAT`. If SMBus is disabled, the device proceeds directly to device initialization using either an external I²C (if present) and the internal OTP ROM.

5.2.1 Pull-Up Resistor for SMBus

External pull-up resistors (10 k Ω recommended) are required on the `SM_DAT` and `SM_CLK` pins when implementing either SMBus mode.

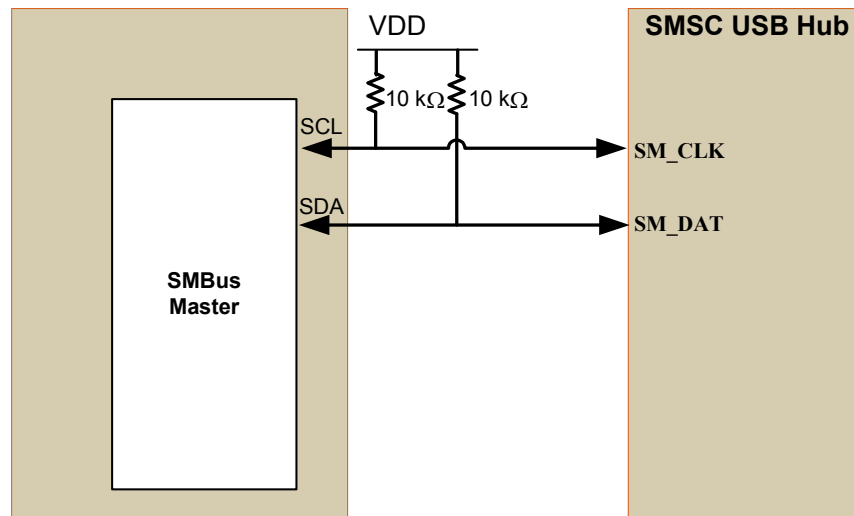


Figure 5.11 SMBus Slave Connection

5.2.2 Protocol Implementation

Typical block write and block read protocols are shown in [Figure 5.12](#) and [Figure 5.13](#). Register accesses are performed using 7-bit slave addressing, an 8- or 16-bit register address field (for legacy and advanced modes, respectively), and an 8-bit data field. The shading shown in the figures during a read or write indicates the hub is driving data on the `SM_DAT` line; otherwise, host data is on the `SM_DAT` line.

The SMBus slave address assigned to the hub (0101100b or 0101101b) allows it to be identified on the SMBus. The register address field is the internal address of the register to be accessed. The register data field is the data that the host is attempting to write to the register or the contents of the register that the host is attempting to read.

Note: Data bytes are transferred MSB first.

5.2.2.1 Block Write/Read

The block write begins with a slave address and a write condition. After the command code, the host issues a byte count which describes how many more bytes will follow in the message. If a slave had 20 bytes to send, the first byte would be the number 20 (14h), followed by the 20 bytes of data. The byte count may not be zero. A block write or read allows a transfer maximum of 32 data bytes.

Note: For the following SMBus tables:

□ Denotes Master-to-Slave ■ Denotes Slave-to-Master

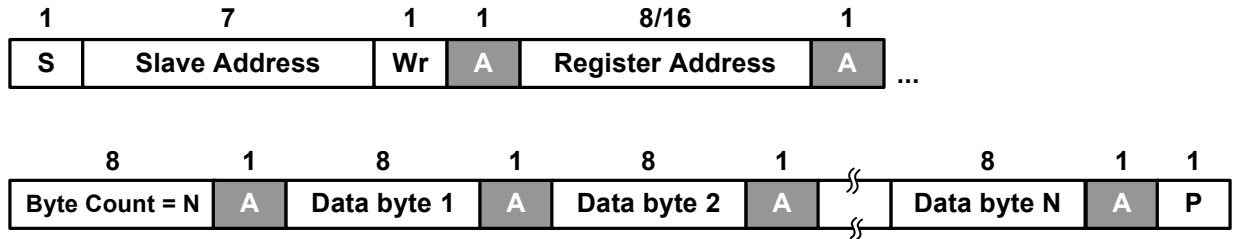


Figure 5.12 Block Write

5.2.2.2 Block Read

A block read differs from a block write in that the repeated start condition exists to satisfy the I²C specification's requirement for a change in the transfer direction.

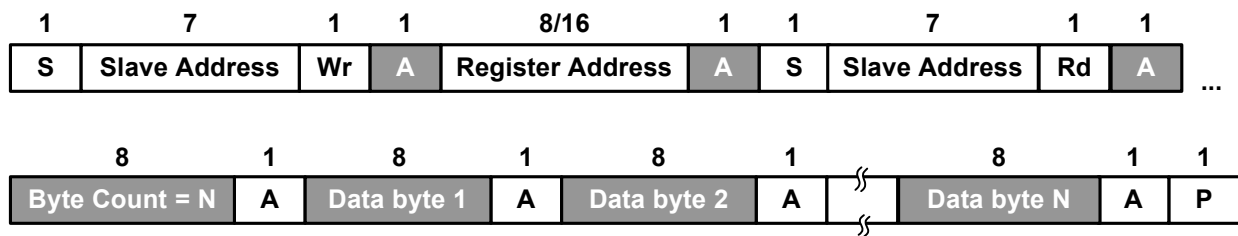


Figure 5.13 Block Read

5.2.2.3 Invalid Protocol Response Behavior

Note that any attempt to update registers with an invalid protocol will not be updated. The only valid protocols are write block and read block (described above), where the hub only responds to the 7-bit hardware selected slave addresses (0101100b or 0101101b). Additionally, the only valid registers for the hub are outlined in the *USB5534B Configuration Release Notes* documentation.

5.2.3 Slave Device Timeout

Devices in a transfer can abort the transfer in progress and release the bus when any single clock low interval exceeds 25 ms ($T_{\text{TIMEOUT, MIN}}$). The master must detect this condition and generate a stop condition within or after the transfer of the interrupted data byte. Slave devices must reset their communication and be able to receive a new START condition no later than 35 ms ($T_{\text{TIMEOUT, MAX}}$).

Note: Some simple devices do not contain a clock low drive circuit; this simple kind of device typically resets its communications port after a start or stop condition. The slave device timeout must be implemented.

5.2.4 Stretching the SCLK Signal

The hub supports stretching of the SCLK by other devices on the SMBus. The hub will stretch the clock as needed.

5.2.5 Bus Reset Sequence

The SMBus slave interface resets and returns to the idle state upon a START condition followed immediately by a STOP condition.

5.2.6 SMBus Alert Response Address

The SMBALERT# signal is not supported by the USB5534B.

5.2.7 SMBus Timing

The SMBus slave interface complies with the *SMBus Specification Revision 1.0*. See Section 2.1, *AC Specifications* on page 3 for more information.

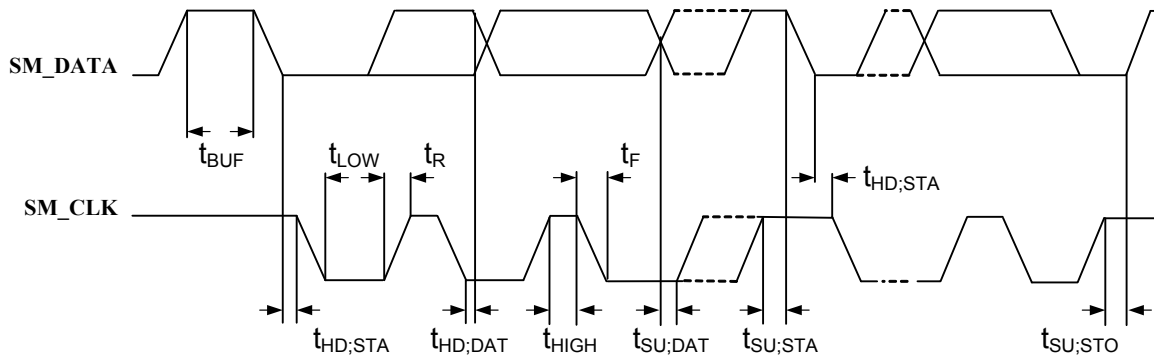


Figure 5.14 SMBus Slave Timing Diagram

SYMBOL	PARAMETER	MIN	MAX	UNIT
f_{SCL}	SM_CLK clock frequency	0	100	KHz
$t_{HD;STA}$	Hold time START condition	4	-	μ s
t_{LOW}	LOW period of the SM_CLK clock	4.7	-	μ s
t_{HIGH}	HIGH period of the SM_CLK clock	4	-	μ s
$t_{SU;STA}$	Set-up time for a repeated START condition	4.7	-	μ s
$t_{HD;DAT}$	DATA hold time\	0	-	ns
$t_{SU;DAT}$	DATA set-up time	250	-	ns
t_R	Rise time of both SM_DATA and SM_CLK signals	-	1000	ns
t_F	Fall time of both SM_CLK and SM_DATA lines	-	300	ns
$t_{SU;STO}$	Set-up time for a STOP condition	4	-	μ s
t_{BUF}	Bus free time between a STOP and START condition	4.7	-	μ s

Table 5.2 SMBus Slave Timing Modes

5.3 Reset

There are two different resets that the device experiences. One is a hardware reset (either from the internal POR reset circuit or via the **RESET_N** pin) and the second is a USB Bus Reset.

5.3.1 Internal POR

All reset timing parameters are guaranteed by design.

5.3.2 External Hardware Reset

A valid hardware reset is defined as assertion of **RESET_N** for a minimum of 1 μ s after all power supplies are within operating range. While reset is asserted, the device (and its associated external circuitry) consumes less than 500 μ A of current from the upstream USB power source.

Assertion of **RESET_N** (external pin) causes the following:

1. The PHY is disabled, and the differential pairs will be in a high-impedance state.
2. All transactions immediately terminate; no states are saved.
3. All internal registers return to the default state.
4. The external crystal oscillator is halted.
5. The PLL is halted.

Chapter 6 DC Parameters

6.1 Maximum Guaranteed Ratings

PARAMETER	SYMBOL	MIN	MAX	UNITS	COMMENTS
Storage Temperature	T_A	-55	150	°C	
Lead Temperature				°C	Refer to JEDEC Specification J-STD-020D.
1.25 V supply voltage	V_{DD12}	-0.5	1.6	V	
3.3 V supply voltage	V_{DD33}	-0.5	4.0	V	
Voltage on USB+ and USB- pins		-0.5	(3.3 V supply voltage + 2) \leq 6	V	
Voltage on any signal powered by VDD33 rail		-0.5	$V_{DD33} + 0.3$	V	
Voltage on any signal pin powered by the VDD12		-0.5	$V_{DD12} + 0.3$	V	
HBM ESD Performance			2	kV	

Notes:

- Stresses above the specified parameters could cause permanent damage to the device. This is a stress rating only. Therefore, functional operation of the device at any condition above those indicated in the operation sections of this specification are not implied.
- When powering this device from laboratory or system power supplies, it is important that the absolute maximum ratings not be exceeded or device failure can result. Some power supplies exhibit voltage spikes on their outputs when the AC power is switched on or off. In addition, voltage transients on the AC power line may appear on the DC output. When this possibility exists, it is suggested that a clamp circuit be used.

6.2 Operating Conditions

PARAMETER	SYMBOL	MIN	MAX	UNITS	COMMENTS
USB5534Bi Operating Temperature	T_A	-40	85	°C	
USB5534B Operating Temperature	T_A	0	70	°C	
1.25 V supply voltage	V_{DD12}	1.22	1.31	V	
3.3 V supply voltage	V_{DD33}	3.0	3.6	V	
1.25 V supply rise time	t_{RT}	0	400	μs	(Figure 6.1)
3.3 V supply rise time	t_{RT}	0	400	μs	(Figure 6.1)
Voltage on USB+ and USB- pins		-0.3	5.5	V	If any 3.3 V supply voltage drops below 3.0 V, then the MAX becomes: $(3.3 \text{ V supply voltage}) + 0.5 \leq 5.5$
Voltage on any signal powered by VDD33 rail		-0.3	V_{DD33}	V	

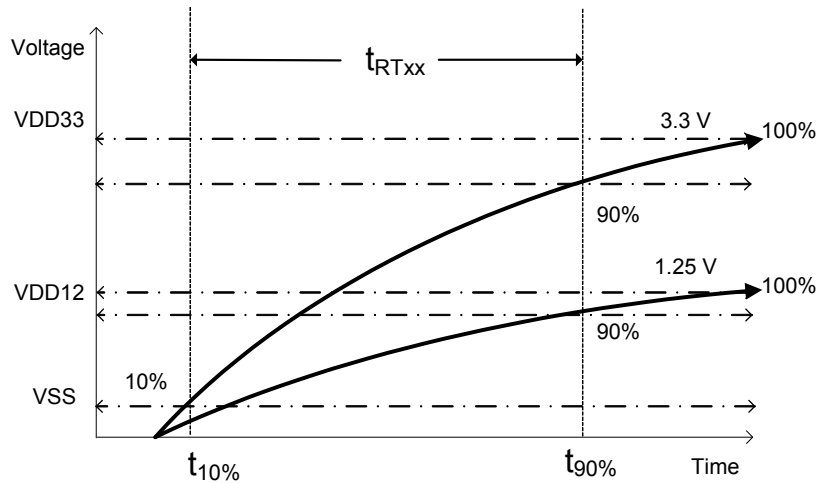


Figure 6.1 Supply Rise Time Model

6.3 DC Electrical Characteristics

Table 6.1 DC Electrical Characteristics

PARAMETER	SYMBOL	MIN	TYP	MAX	UNITS	COMMENTS
IS Type Input Buffer						
Low Input Level	V_{ILI}			0.8	V	TTL Levels
High Input Level	V_{IHI}	2.0			V	
Hysteresis (IS only)	V_{HYSI}		420		mV	
I, IPU, IPD Type Input Buffer						
Low Input Level	V_{ILI}			0.8	V	TTL Levels
High Input Level	V_{IHI}	2.0			V	
Pull Down	PD		72		μ A	$V_{IN} = 0$
Pull Up	PU		58		μ A	$V_{IN} = V_{DD33}$
ICLK Input Buffer						
Low Input Level	V_{ILCK}			0.3	V	
High Input Level	V_{IHCK}	0.8			V	
Input Leakage	I_{IL}	-10		+10	μ A	$V_{IN} = 0$ to V_{DD33}
Input Leakage (All I and IS buffers)						
Low Input Leakage	I_{IL}	-10		+10	μ A	$V_{IN} = 0$
High Input Leakage	I_{IH}	-10		+10	μ A	$V_{IN} = V_{DD33}$
O12 Type Buffer						
Low Output Level	V_{OL}			0.4	V	$I_{OL} = 12$ mA @ $V_{DD33} = 3.3$ V
High Output Level	V_{OH}	V_{DD33} -0.4			V	$I_{OH} = -12$ mA @ $V_{DD33} = 3.3$ V
Output Leakage	I_{OL}	-10		+10	μ A	$V_{IN} = 0$ to V_{DD33} (Note 6.1)

Table 6.1 DC Electrical Characteristics

PARAMETER	SYMBOL	MIN	TYP	MAX	UNITS	COMMENTS
I/O12, I/O12PU & I/O12PD Type Buffer						
Low Output Level	V_{OL}			0.4	V	$I_{OL} = 12 \text{ mA @ } V_{DD33} = 3.3 \text{ V}$
High Output Level	V_{OH}	$V_{DD33} - 0.4$			V	$I_{OH} = -12 \text{ mA @ } V_{DD33} = 3.3 \text{ V}$
Output Leakage	I_{OL}	-10		+10	μA	$V_{IN} = 0 \text{ to } V_{DD33}$ (Note 6.1)
Pull Down	PD		72		μA	
Pull Up	PU		58		μA	
IO-U (Note 6.2)						

Note 6.1 Output leakage is measured with the current pins in high impedance.

Note 6.2 See *USB 2.0 Specification* [1] for USB DC electrical characteristics.

6.4 Capacitance

Table 6.2 Pin Capacitance

PARAMETER	SYMBOL	LIMITS			UNIT	TEST CONDITION
		MIN	TYP	MAX		
Clock Input Capacitance	C_{XTAL}			2	pF	All pins except USB pins and the pins under the test tied to AC ground
Input Capacitance	C_{IN}			5	pF	
Output Capacitance	C_{OUT}			10	pF	

Note 6.3 Capacitance $T_A = 25^\circ\text{C}$; $f_c = 1 \text{ MHz}$; $V_{DD33} = 3.3 \text{ V}$

Chapter 7 AC Specifications

7.1 Oscillator/Crystal

Crystal: Parallel resonant, fundamental mode, 25 MHz \pm 30 ppm

External Clock: 50% duty cycle \pm 10%, 25 MHz \pm 30 ppm, jitter < 100 ps rms

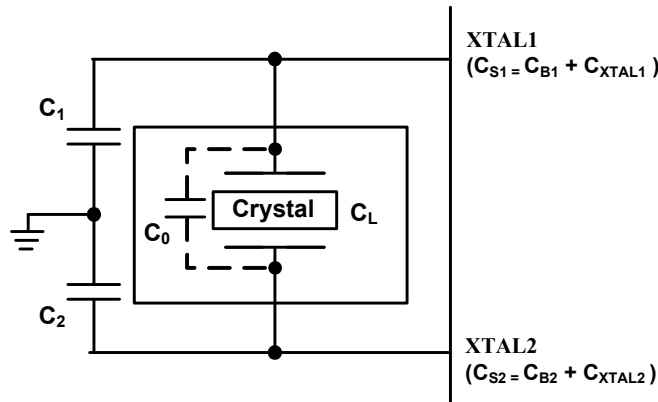


Figure 7.1 Typical Crystal Circuit

Table 7.1 Crystal Circuit Legend

SYMBOL	DESCRIPTION	IN ACCORDANCE WITH
C_0	Crystal shunt capacitance	Crystal manufacturer's specification (Note 7.1)
C_L	Crystal load capacitance	
C_B	Total board or trace capacitance	OEM board design
C_S	Stray capacitance	SMSC IC and OEM board design
C_{XTAL}	XTAL pin input capacitance	SMSC IC
C_1	Load capacitors installed on OEM board	Calculated values based on Figure 7.2 (Note 7.2)
C_2		

$$C_1 = 2 \times (C_L - C_0) - C_{S1}$$

$$C_2 = 2 \times (C_L - C_0) - C_{S2}$$

Figure 7.2 Formula to Find the Value of C_1 and C_2

Note 7.1 C_0 is usually included (subtracted by the crystal manufacturer) in the specification for C_L and should be set to 0 for use in the calculation of the capacitance formulas in Figure 7.2. However, the PCB itself may present a parasitic capacitance between XTALIN and XTALOUT. For an accurate calculation of C_1 and C_2 , take the parasitic capacitance between traces XTALIN and XTALOUT into account.

Note 7.2 Consult crystal manufacturer documentation for recommended capacitance values.

7.2 External Clock

50% duty cycle \pm 10%, 25 MHz \pm 30 ppm, jitter < 100 ps rms.

Note: The external clock is based upon 1.2 V CMOS Logic. XTALOUT should be treated as a no connect when an external clock is supplied.

7.2.1 SMBus Clock

The maximum frequency allowed on the SMBus clock line is 100 kHz.

7.2.2 USB 2.0

The SMSC hub conforms to all voltage, power, and timing characteristics and specifications as set forth in the *USB 2.0 Specification* [\[1\]](#).

Chapter 8 Package Drawing

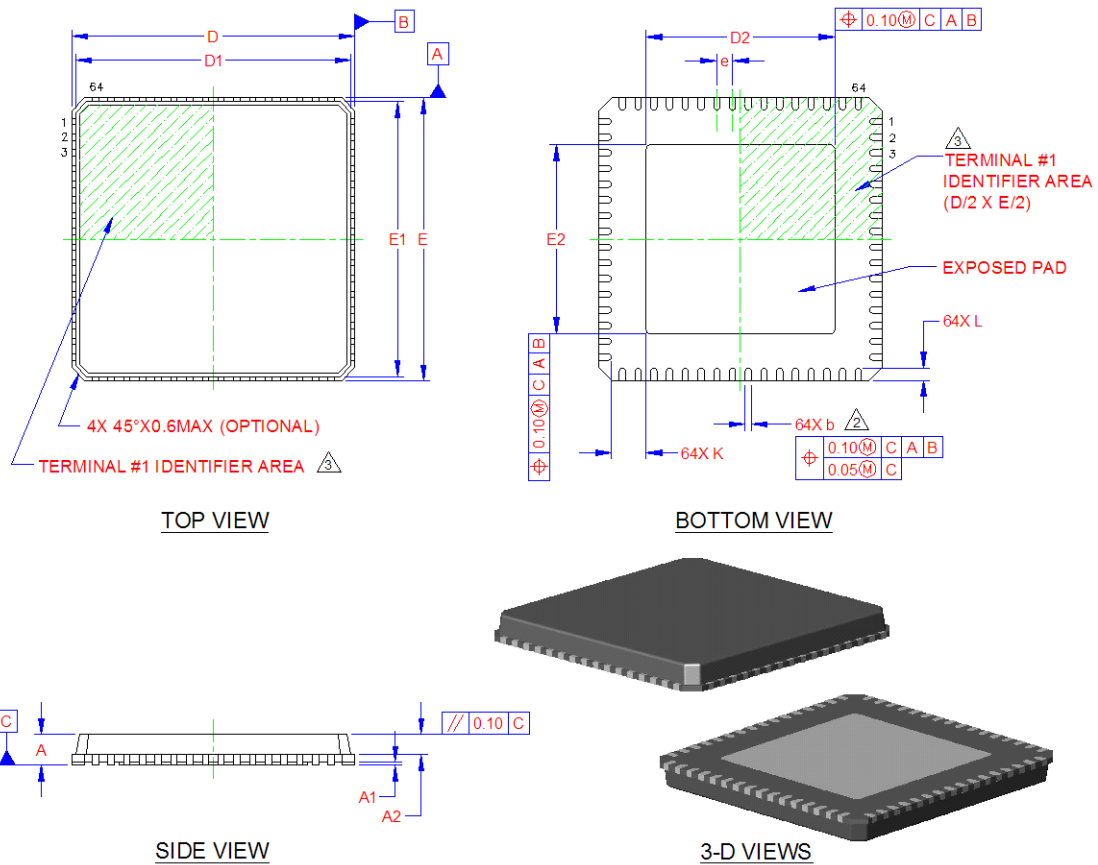


Figure 8.1 USB5534B 64 Pin QFN Package

Table 8.1 USB5534B 64-Pin QFN Dimensions

	MIN	NOMINAL	MAX	REMARKS
A	0.80	0.85	1.00	Overall Package Height
A1	0	0.02	0.05	Standoff
A2	-	0.65	0.80	Mold Cap Thickness
D/E	8.90	9.00	9.10	X/Y Body Size
D1/E1	8.65	8.75	8.85	X/Y Mold Cap Size
D2/E2	5.90	6.00	6.10	X/Y Exposed Pad Size
L	0.30	0.40	0.50	Terminal Length
b	0.18	0.25	0.30	Terminal Width
K	0.90	-	-	Center Pad to Pin Clearance
e	0.50 BSC			Terminal Pitch

Notes:

1. All dimensions are in millimeters unless otherwise noted.
2. Dimension "b" applies to plated terminals and is measured between 0.15 and 0.30 mm from the terminal tip.
3. The pin 1 identifier may vary, but is always located within the zone indicated.

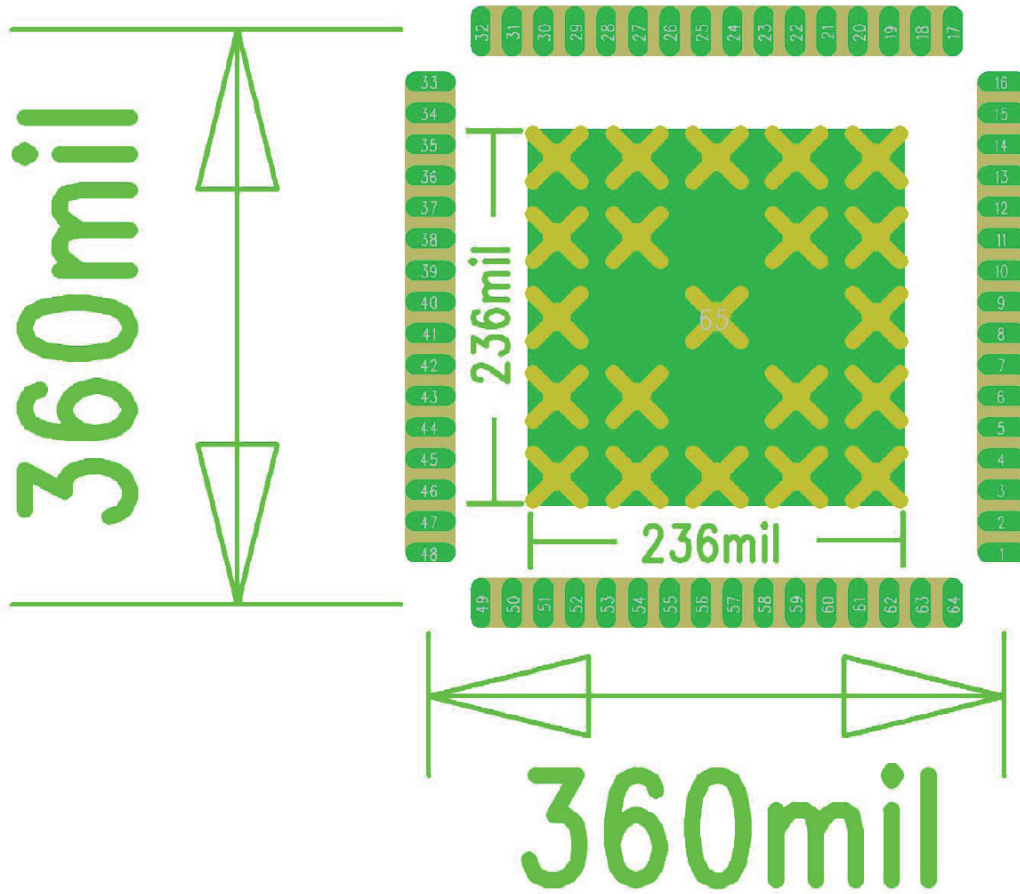


Figure 8.2 Recommended PCB Land Pattern

Chapter 9 Revision History

Table 9.1 Customer Revision History

REVISION LEVEL & DATE	SECTION/FIGURE/ENTRY	CORRECTION
Rev. 1.0 (09-06-12)	All	Initial revision.

Appendix A (Acronyms)

I²C[®]: Inter-Integrated Circuit¹

OCS: Over-Current Sense

PCB: Printed Circuit Board

PHY: Physical Layer

PLL: Phase-Locked Loop

QFN: Quad Flat No Leads

RoHS: Restriction of Hazardous Substances Directive

SCL: Serial Clock

SIE: Serial Interface Engine

SMBus: System Management Bus

TT: Transaction Translator

¹.I²C is a registered trademark of Philips Corporation.

Appendix B (References)

- [1] Universal Serial Bus Specification, Version 2.0, April 27, 2000 (12/7/2000 and 5/28/2002 Errata)
USB Implementers Forum, Inc. <http://www.usb.org>
- [2] Universal Serial Bus Specification, Version 3.0, November 13, 2008
USB Implementers Forum, Inc. <http://www.usb.org>
- [3] System Management Bus Specification, version 1.0
SMBus. <http://smbus.org/specs/>
- [4] MicroChip 24AA02/24LC02B (Revision C)
Microchip Technology Inc. <http://www.microchip.com/>