

阅读申明

- 1.本站收集的数据手册和产品资料都来自互联网，版权归原作者所有。如读者和版权方有任何异议请及时告之，我们将妥善解决。
- 2.本站提供的中文数据手册是英文数据手册的中文翻译，其目的是协助用户阅读，该译文无法自动跟随原稿更新，同时也可能存在翻译上的不当。建议读者以英文原稿为参考以便获得更精准的信息。
- 3.本站提供的产品资料，来自厂商的技术支持或者使用者的心得体会等，其内容可能存在描述上的差异，建议读者做出适当判断。
- 4.如需与我们联系，请发邮件到marketing@iczoom.com，主题请标有“数据手册”字样。

Read Statement

1. The datasheets and other product information on the site are all from network reference or other public materials, and the copyright belongs to the original author and original published source. If readers and copyright owners have any objections, please contact us and we will deal with it in a timely manner.
2. The Chinese datasheets provided on the website is a Chinese translation of the English datasheets. Its purpose is for reader's learning exchange only and do not involve commercial purposes. The translation cannot be automatically updated with the original manuscript, and there may also be improper translations. Readers are advised to use the English manuscript as a reference for more accurate information.
3. All product information provided on the website refer to solutions from manufacturers' technical support or users the contents may have differences in description, and readers are advised to take the original article as the standard.
4. If you have any questions, please contact us at marketing@iczoom.com and mark the subject with "Datasheets" .

FEATURES

- Operates With 3-V to 5.5-V V_{CC} Supply
- Operates up to 1 Mbit/s
- Low Standby Current . . . 1 μ A Typical
- External Capacitors . . . $4 \times 0.1 \mu$ F
- Accepts 5-V Logic Input With 3.3-V Supply
- Latch-Up Performance Exceeds 100 mA Per JESD 78, Class II
- RS-232 Bus-Pin ESD Protection Exceeds ± 15 kV Using Human-Body Model (HBM)

APPLICATIONS

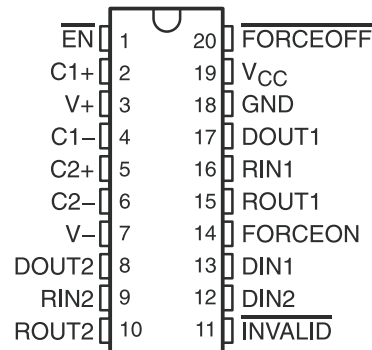
- Battery-Powered Systems
- PDAs
- Notebooks
- Laptops
- Palmtop PCs
- Hand-Held Equipment

DESCRIPTION/ORDERING INFORMATION

The TRSF3223 consists of two line drivers, two line receivers, and a dual charge-pump circuit with ± 15 -kV ESD protection pin to pin (serial-port connection pins, including GND). The device provides the electrical interface between an asynchronous communication controller and the serial-port connector. The charge pump and four small external capacitors allow operation from a single 3-V to 5.5-V supply. The device operates at data signaling rates up to 1 Mbit/s and a driver output slew rate of 24 V/ μ s to 150 V/ μ s.

Flexible control options for power management are available when the serial port is inactive. The auto-powerdown feature functions when $\overline{\text{FORCEON}}$ is low and $\overline{\text{FORCEOFF}}$ is high. During this mode of operation, if the device does not sense a valid RS-232 signal, the driver outputs are disabled. If $\overline{\text{FORCEOFF}}$ is set low and enable ($\overline{\text{EN}}$) is high, both drivers and receivers are shut off, and the supply current is reduced to 1 μ A. Disconnecting the serial port or turning off the peripheral drivers causes auto-powerdown to occur. Auto-powerdown can be disabled when $\overline{\text{FORCEON}}$ and $\overline{\text{FORCEOFF}}$ are high. With auto-powerdown enabled, the device is activated automatically when a valid signal is applied to any receiver input. The $\overline{\text{INVALID}}$ output is used to notify the user if an RS-232 signal is present at any receiver input. $\overline{\text{INVALID}}$ is high (valid data) if any receiver input voltage is greater than 2.7 V or less than -2.7 V or has been between -0.3 V and 0.3 V for less than 30 μ s. $\overline{\text{INVALID}}$ is low (invalid data) if the receiver input voltage is between -0.3 V and 0.3 V for more than 30 μ s. Refer to [Figure 4](#) for receiver input levels.

DB, DW, OR PW PACKAGE
(TOP VIEW)



Please be aware that an important notice concerning availability, standard warranty, and use in critical applications of Texas Instruments semiconductor products and disclaimers thereto appears at the end of this data sheet.

TRSF3223
3-V TO 5.5-V MULTICHANNEL RS-232 COMPATIBLE
LINE DRIVER/RECEIVER

SLLS854–AUGUST 2007

ORDERING INFORMATION

| T _A | PACKAGE ⁽¹⁾⁽²⁾ | | ORDERABLE PART NUMBER | TOP-SIDE MARKING |
|----------------|---------------------------|--------------|-----------------------|------------------|
| 0°C to 70°C | SOIC – DW | Tube of 25 | TRSF3223CDW | TRSF3223C |
| | | Reel of 2000 | TRSF3223CDWR | |
| | SSOP – DB | Tube of 70 | TRSF3223CDB | RT23C |
| | | Reel of 2000 | TRSF3223CDBR | |
| | TSSOP – PW | Tube of 70 | TRSF3223CPW | RT23C |
| | | Reel of 2000 | TRSF3223CPWR | |
| –40°C to 85°C | SOIC – DW | Tube of 25 | TRSF3223IDW | TRSF3223I |
| | | Reel of 2000 | TRSF3223IDWR | |
| | SSOP – DB | Tube of 70 | TRSF3223IDB | RT23I |
| | | Reel of 2000 | TRSF3223IDBR | |
| | TSSOP – PW | Tube of 70 | TRSF3223IPW | RT23I |
| | | Reel of 2000 | TRSF3223IPWR | |

- (1) Package drawings, thermal data, and symbolization are available at www.ti.com/packaging.
(2) For the most current package and ordering information, see the Package Option Addendum at the end of this document, or see the TI website at www.ti.com.

FUNCTION TABLES

Each Driver⁽¹⁾

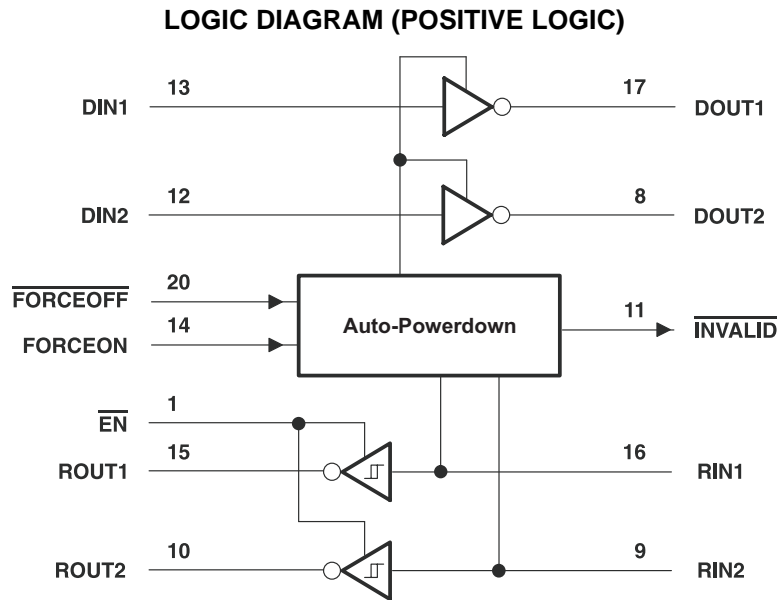
| INPUTS | | | | OUTPUT DOUT | DRIVER STATUS |
|--------|---------|----------|------------------------|-------------|-----------------------------------------------|
| DIN | FORCEON | FORCEOFF | VALID RIN RS-232 LEVEL | | |
| X | X | L | X | Z | Powered off |
| L | H | H | X | H | Normal operation with auto-powerdown disabled |
| H | H | H | X | L | |
| L | L | H | Yes | H | Normal operation with auto-powerdown enabled |
| H | L | H | Yes | L | |
| L | L | H | No | Z | Powered off by auto-powerdown feature |
| H | L | H | No | Z | |

- (1) H = high level, L = low level, X = irrelevant, Z = high impedance

Each Receiver⁽¹⁾

| INPUTS | | | OUTPUT ROUT |
|--------|----|------------------------|-------------|
| RIN | EN | VALID RIN RS-232 LEVEL | |
| L | L | X | H |
| H | L | X | L |
| X | H | X | Z |
| Open | L | No | H |

- (1) H = high level, L = low level, X = irrelevant,
Z = high impedance (off),
Open = input disconnected or connected driver off



Absolute Maximum Ratings⁽¹⁾

over operating free-air temperature range (unless otherwise noted)

| | | MIN | MAX | UNIT |
|---------------------------------|-----------------------------------------------------|--------------------------------|-----|------|
| V _{CC} | Supply voltage range ⁽²⁾ | -0.3 | 6 | V |
| V ₊ | Positive-output supply voltage range ⁽²⁾ | -0.3 | 7 | V |
| V ₋ | Negative-output supply voltage range ⁽²⁾ | 0.3 | -7 | V |
| V ₊ - V ₋ | Supply voltage difference ⁽²⁾ | | 13 | V |
| V _I | Input voltage range | Driver (FORCEOFF, FORCEON, EN) | | V |
| | | Receiver | | |
| V _O | Output voltage range | Driver | | V |
| | | Receiver (INVALID) | | |
| θ _{JA} | Package thermal impedance ⁽³⁾⁽⁴⁾ | DB package | | °C/W |
| | | DW package | | |
| | | PW package | | |
| T _J | Operating virtual junction temperature | | 150 | °C |
| T _{stg} | Storage temperature range | -65 | 150 | °C |

- (1) Stresses beyond those listed under "absolute maximum ratings" may cause permanent damage to the device. These are stress ratings only, and functional operation of the device at these or any other conditions beyond those indicated under "recommended operating conditions" is not implied. Exposure to absolute-maximum-rated conditions for extended periods may affect device reliability.
- (2) All voltages are with respect to network GND.
- (3) Maximum power dissipation is a function of T_{J(max)}, θ_{JA}, and T_A. The maximum allowable power dissipation at any allowable ambient temperature is P_D = (T_{J(max)} - T_A)/θ_{JA}. Operating at the absolute maximum T_J of 150°C can affect reliability.
- (4) The package thermal impedance is calculated in accordance with JESD 51-7.

TRSF3223
3-V TO 5.5-V MULTICHANNEL RS-232 COMPATIBLE
LINE DRIVER/RECEIVER

SLLS854–AUGUST 2007

Recommended Operating Conditions⁽¹⁾

See [Figure 6](#)

| | | | MIN | NOM | MAX | UNIT |
|----------------|---------------------------------------------|------------------------------------------|-------------------------|-----|-----|------|
| Supply voltage | | $V_{CC} = 3.3\text{ V}$ | 3 | 3.3 | 3.6 | V |
| | | $V_{CC} = 5\text{ V}$ | 4.5 | 5 | 5.5 | |
| V_{IH} | Driver and control high-level input voltage | DIN, \overline{EN} , FORCEOFF, FORCEON | $V_{CC} = 3.3\text{ V}$ | 2 | | V |
| | | | $V_{CC} = 5\text{ V}$ | 2.4 | | |
| V_{IL} | Driver and control low-level input voltage | DIN, \overline{EN} , FORCEOFF, FORCEON | | | 0.8 | V |
| V_I | Driver and control input voltage | DIN, \overline{EN} , FORCEOFF, FORCEON | 0 | | 5.5 | V |
| | Receiver input voltage | | -25 | | 25 | |
| T_A | Operating free-air temperature | TRSF3223C | 0 | | 70 | °C |
| | | TRSF3223I | -40 | | 85 | |

(1) Test conditions are C1–C4 = 0.1 μF at $V_{CC} = 3.3\text{ V} \pm 0.3\text{ V}$; C1 = 0.047 μF , C2–C4 = 0.33 μF at $V_{CC} = 5\text{ V} \pm 0.5\text{ V}$.

Electrical Characteristics⁽¹⁾

over recommended ranges of supply voltage and operating free-air temperature (unless otherwise noted) (see [Figure 5](#))

| PARAMETER | | TEST CONDITIONS | MIN | TYP ⁽²⁾ | MAX | UNIT | |
|-----------|-----------------------|-------------------------------------|------------------------------------------------------------------------------|--------------------|---------|---------------|---------------|
| I_I | Input leakage current | \overline{EN} , FORCEOFF, FORCEON | ± 0.01 | | ± 1 | μA | |
| I_{CC} | Supply current | Auto-powerdown disabled | No load, FORCEOFF, FORCEON at V_{CC} | | 0.3 | 1 | mA |
| | | Powered off | No load, FORCEOFF at GND | | 1 | 10 | |
| | | Auto-powerdown enabled | No load, FORCEOFF at V_{CC} , FORCEON at GND, All RIN are open or grounded | | 1 | 10 | μA |

(1) Test conditions are C1–C4 = 0.1 μF at $V_{CC} = 3.3\text{ V} \pm 0.3\text{ V}$; C1 = 0.047 μF , C2–C4 = 0.33 μF at $V_{CC} = 5\text{ V} \pm 0.5\text{ V}$.

(2) All typical values are at $V_{CC} = 3.3\text{ V}$ or $V_{CC} = 5\text{ V}$, and $T_A = 25^\circ\text{C}$.

DRIVER SECTION

Electrical Characteristics⁽¹⁾

over recommended ranges of supply voltage and operating free-air temperature (unless otherwise noted) (see [Figure 6](#))

| PARAMETER | TEST CONDITIONS | | MIN | TYP ⁽²⁾ | MAX | UNIT |
|------------------|---------------------------------------------|-----------------------------------------------------------|----------------------------------------------------------|--------------------|-----|------|
| V _{OH} | High-level output voltage | DOUT at R _L = 3 kΩ to GND | 5 | 5.4 | | V |
| V _{OL} | Low-level output voltage | DOUT at R _L = 3 kΩ to GND | –5 | –5.4 | | V |
| I _{IH} | High-level input current | V _I = V _{CC} | | ±0.01 | ±1 | μA |
| I _{IL} | Low-level input current | V _I at GND | | ±0.01 | ±1 | μA |
| I _{OS} | Short-circuit output current ⁽³⁾ | V _{CC} = 3.6 V, V _O = 0 V | | ±35 | ±60 | mA |
| | | V _{CC} = 5.5 V, V _O = 0 V | | ±35 | ±90 | |
| r _o | Output resistance | V _{CC} , V+, and V– = 0 V, V _O = ±2 V | 300 | 10M | | Ω |
| I _{off} | Output leakage current | FORCEOFF = GND | V _O = ±12 V, V _{CC} = 3 V to 3.6 V | | ±25 | μA |
| | | | V _O = ±10 V, V _{CC} = 4.5 V to 5.5 V | | ±25 | |

(1) Test conditions are C1–C4 = 0.1 μF at V_{CC} = 3.3 V ± 0.3 V; C1 = 0.047 μF, C2–C4 = 0.33 μF at V_{CC} = 5 V ± 0.5 V.

(2) All typical values are at V_{CC} = 3.3 V or V_{CC} = 5 V, and T_A = 25°C.

(3) Short-circuit durations should be controlled to prevent exceeding the device absolute power dissipation ratings, and not more than one output should be shorted at a time.

Switching Characteristics⁽¹⁾

over recommended ranges of supply voltage and operating free-air temperature (unless otherwise noted) (see [Figure 6](#))

| PARAMETER | TEST CONDITIONS | | MIN | TYP ⁽²⁾ | MAX | UNIT |
|------------------------------------------------------|--------------------------------------------------------------------|-------------------------------------------------------------------------------------------------|-----|--------------------|-----|--------|
| Maximum data rate (see Figure 1) | R _L = 3 kΩ, One DOUT switching | C _L = 1000 pF | | 250 | | kbit/s |
| | | C _L = 250 pF, V _{CC} = 3 V to 4.5 V | | 1000 | | |
| | | C _L = 1000 pF, V _{CC} = 4.5 V to 5.5 V | | 1000 | | |
| t _{sk(p)} | Pulse skew ⁽³⁾ | C _L = 150 pF to 2500 pF, R _L = 3 kΩ to 7 kΩ, See Figure 2 | | 300 | | ns |
| SR(tr) | Slew rate, transition region (see Figure 1) | V _{CC} = 3.3 V, R _L = 3 kΩ to 7 kΩ, C _L = 150 pF to 1000 pF | | 18 | 150 | V/μs |

(1) Test conditions are C1–C4 = 0.1 μF at V_{CC} = 3.3 V ± 0.3 V; C1 = 0.047 μF, C2–C4 = 0.33 μF at V_{CC} = 5 V ± 0.5 V.

(2) All typical values are at V_{CC} = 3.3 V or V_{CC} = 5 V, and T_A = 25°C.

(3) Pulse skew is defined as |t_{PLH} – t_{PHL}| of each channel of the same device.

RECEIVER SECTION

Electrical Characteristics⁽¹⁾

over recommended ranges of supply voltage and operating free-air temperature (unless otherwise noted) (see [Figure 6](#))

| PARAMETER | TEST CONDITIONS | MIN | TYP ⁽²⁾ | MAX | UNIT |
|--------------------------------------------------------------------------|--------------------------------|-----------------------|-----------------------|-----|------|
| V _{OH} High-level output voltage | I _{OH} = -1 mA | V _{CC} - 0.6 | V _{CC} - 0.1 | | V |
| V _{OL} Low-level output voltage | I _{OL} = 1.6 mA | | | 0.4 | V |
| V _{IT+} Positive-going input threshold voltage | V _{CC} = 3.3 V | | 1.6 | 2.4 | V |
| | V _{CC} = 5 V | | 1.9 | 2.4 | |
| V _{IT-} Negative-going input threshold voltage | V _{CC} = 3.3 V | 0.6 | 1.1 | | V |
| | V _{CC} = 5 V | 0.8 | 1.4 | | |
| V _{hys} Input hysteresis (V _{IT+} - V _{IT-}) | | | 0.5 | | V |
| I _{off} Output leakage current | $\overline{EN} = V_{CC}$ | | ±0.05 | ±10 | µA |
| r _i Input resistance | V _I = ±3 V to ±25 V | 3 | 5 | 7 | kΩ |

(1) Test conditions are C1–C4 = 0.1 µF at V_{CC} = 3.3 V ± 0.3 V; C1 = 0.047 µF, C2–C4 = 0.33 µF at V_{CC} = 5 V ± 0.5 V.

(2) All typical values are at V_{CC} = 3.3 V or V_{CC} = 5 V, and T_A = 25°C.

Switching Characteristics⁽¹⁾

over recommended ranges of supply voltage and operating free-air temperature (unless otherwise noted)

| PARAMETER | TEST CONDITIONS | TYP ⁽²⁾ | UNIT |
|--------------------------------------------------------------------|------------------------------------------------------------------------------|--------------------|------|
| t _{PLH} Propagation delay time, low- to high-level output | C _L = 150 pF, See Figure 3 | 150 | ns |
| t _{PHL} Propagation delay time, high- to low-level output | C _L = 150 pF, See Figure 3 | 150 | ns |
| t _{en} Output enable time | C _L = 150 pF, R _L = 3 kΩ, See Figure 4 | 200 | ns |
| t _{dis} Output disable time | C _L = 150 pF, R _L = 3 kΩ, See Figure 4 | 200 | ns |
| t _{sk(p)} Pulse skew ⁽³⁾ | See Figure 3 | 50 | ns |

(1) Test conditions are C1–C4 = 0.1 µF at V_{CC} = 3.3 V ± 0.3 V; C1 = 0.047 µF, C2–C4 = 0.33 µF at V_{CC} = 5 V ± 0.5 V.

(2) All typical values are at V_{CC} = 3.3 V or V_{CC} = 5 V, and T_A = 25°C.

(3) Pulse skew is defined as |t_{PLH} - t_{PHL}| of each channel of the same device.

AUTO-POWERDOWN SECTION

Electrical Characteristics

over recommended ranges of supply voltage and operating free-air temperature (unless otherwise noted) (see [Figure 5](#))

| PARAMETER | | TEST CONDITIONS | | MIN | MAX | UNIT |
|------------------|-----------------------------------------------------------------------------|--------------------------------------------------------------|--------------------------------|----------------|-----|------|
| $V_{T+(valid)}$ | Receiver input threshold for $\overline{INVALID}$ high-level output voltage | FORCEON = GND, | $\overline{FORCEOFF} = V_{CC}$ | | 2.7 | V |
| $V_{T-(valid)}$ | Receiver input threshold for $\overline{INVALID}$ high-level output voltage | FORCEON = GND, | $\overline{FORCEOFF} = V_{CC}$ | -2.7 | | V |
| $V_{T(invalid)}$ | Receiver input threshold for $\overline{INVALID}$ low-level output voltage | FORCEON = GND, | $\overline{FORCEOFF} = V_{CC}$ | -0.3 | 0.3 | V |
| V_{OH} | $\overline{INVALID}$ high-level output voltage | $I_{OH} = 1\text{ mA}$, $\overline{FORCEOFF} = V_{CC}$ | FORCEON = GND, | $V_{CC} - 0.6$ | | V |
| V_{OL} | $\overline{INVALID}$ low-level output voltage | $I_{OL} = 1.6\text{ mA}$, $\overline{FORCEOFF} = V_{CC}$ | FORCEON = GND, | | 0.4 | V |

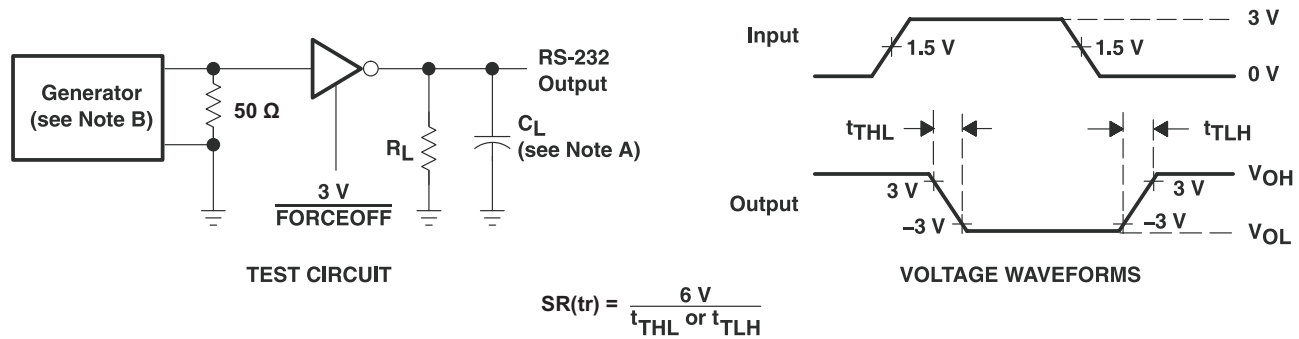
Switching Characteristics

over recommended ranges of supply voltage and operating free-air temperature (unless otherwise noted) (see [Figure 5](#))

| PARAMETER | | TYP ⁽¹⁾ | UNIT |
|---------------|---------------------------------------------------|--------------------|---------------|
| t_{valid} | Propagation delay time, low- to high-level output | 1 | μs |
| $t_{invalid}$ | Propagation delay time, high- to low-level output | 30 | μs |
| t_{en} | Supply enable time | 100 | μs |

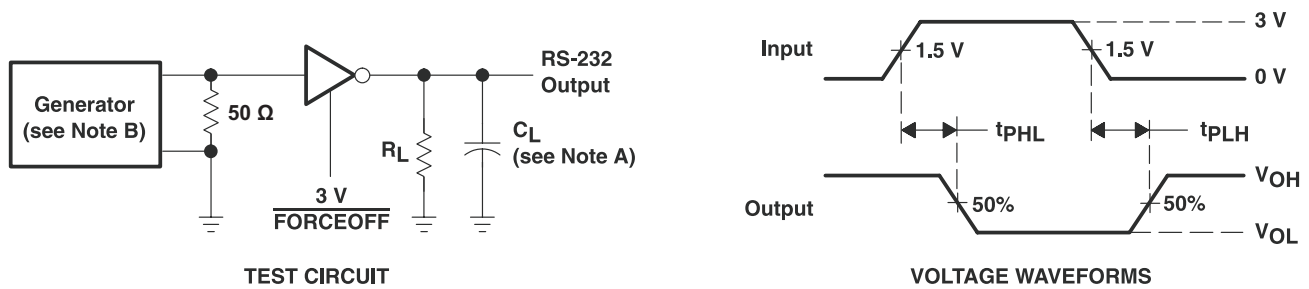
(1) All typical values are at $V_{CC} = 3.3\text{ V}$ or $V_{CC} = 5\text{ V}$, and $T_A = 25^\circ\text{C}$.

PARAMETER MEASUREMENT INFORMATION



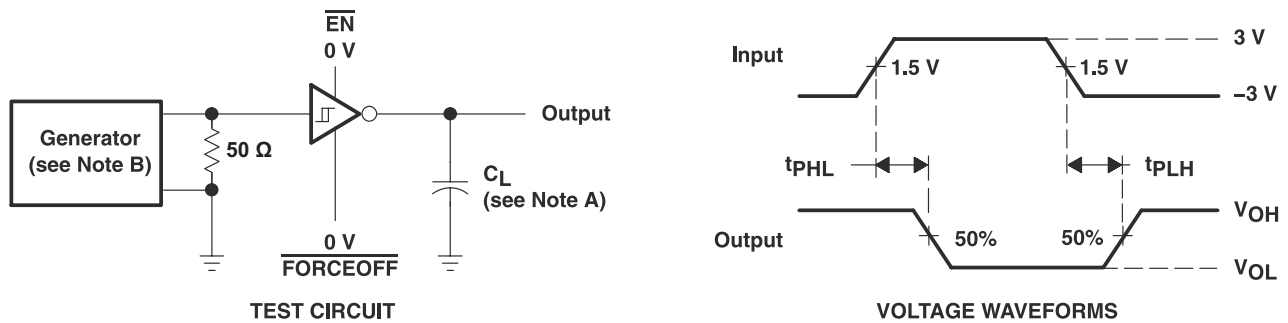
- A. C_L includes probe and jig capacitance.
- B. The pulse generator has the following characteristics: PRR = 250 kbits/s, $Z_O = 50\ \Omega$, 50% duty cycle, $t_r \leq 10\text{ ns}$, $t_f \leq 10\text{ ns}$.

Figure 1. Driver Slew Rate



- A. C_L includes probe and jig capacitance.
- B. The pulse generator has the following characteristics: PRR = 250 kbits/s, $Z_O = 50\ \Omega$, 50% duty cycle, $t_r \leq 10\text{ ns}$, $t_f \leq 10\text{ ns}$.

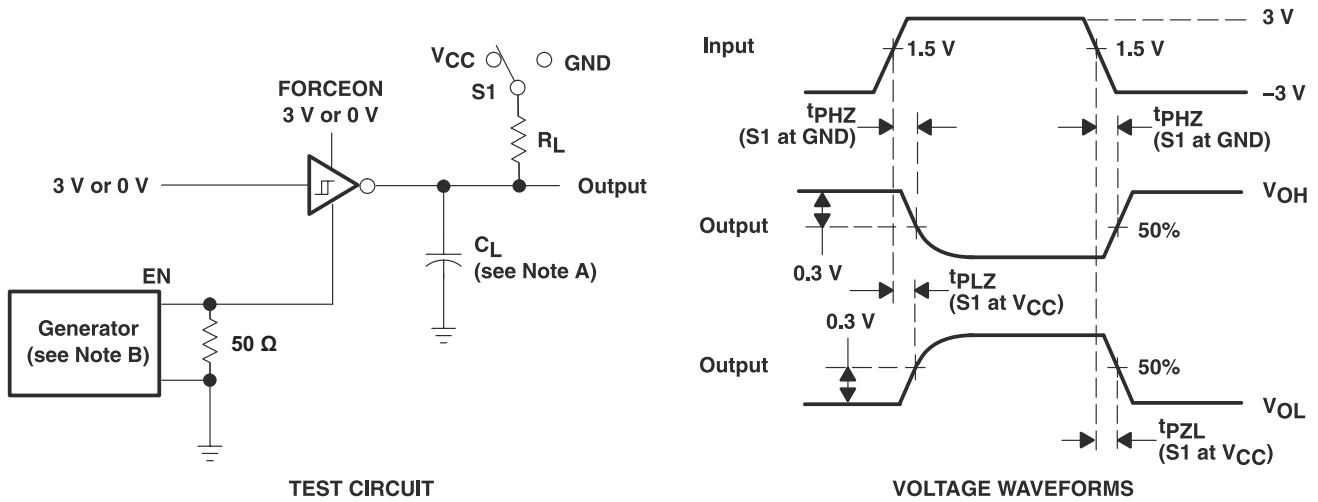
Figure 2. Driver Pulse Skew



- A. C_L includes probe and jig capacitance.
- B. The pulse generator has the following characteristics: $Z_O = 50\ \Omega$, 50% duty cycle, $t_r \leq 10\text{ ns}$, $t_f \leq 10\text{ ns}$.

Figure 3. Receiver Propagation Delay Times

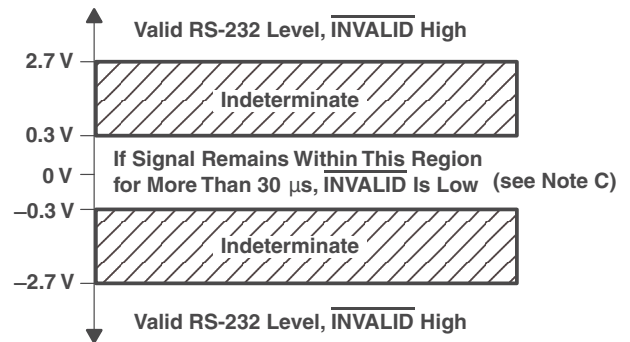
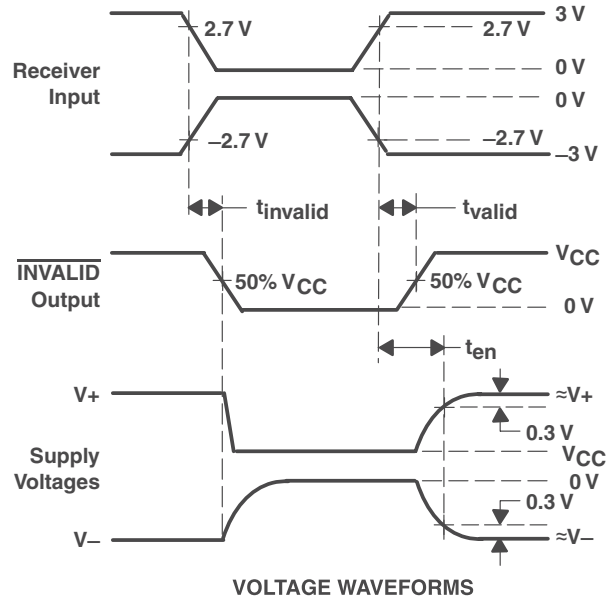
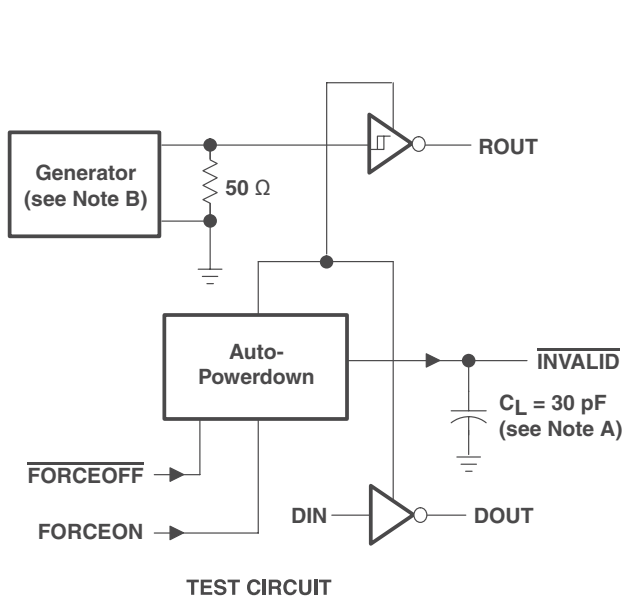
PARAMETER MEASUREMENT INFORMATION (continued)



- A. C_L includes probe and jig capacitance.
- B. The pulse generator has the following characteristics: $Z_O = 50 \Omega$, 50% duty cycle, $t_r \leq 10 \text{ ns}$, $t_f \leq 10 \text{ ns}$.

Figure 4. Receiver Enable and Disable Times

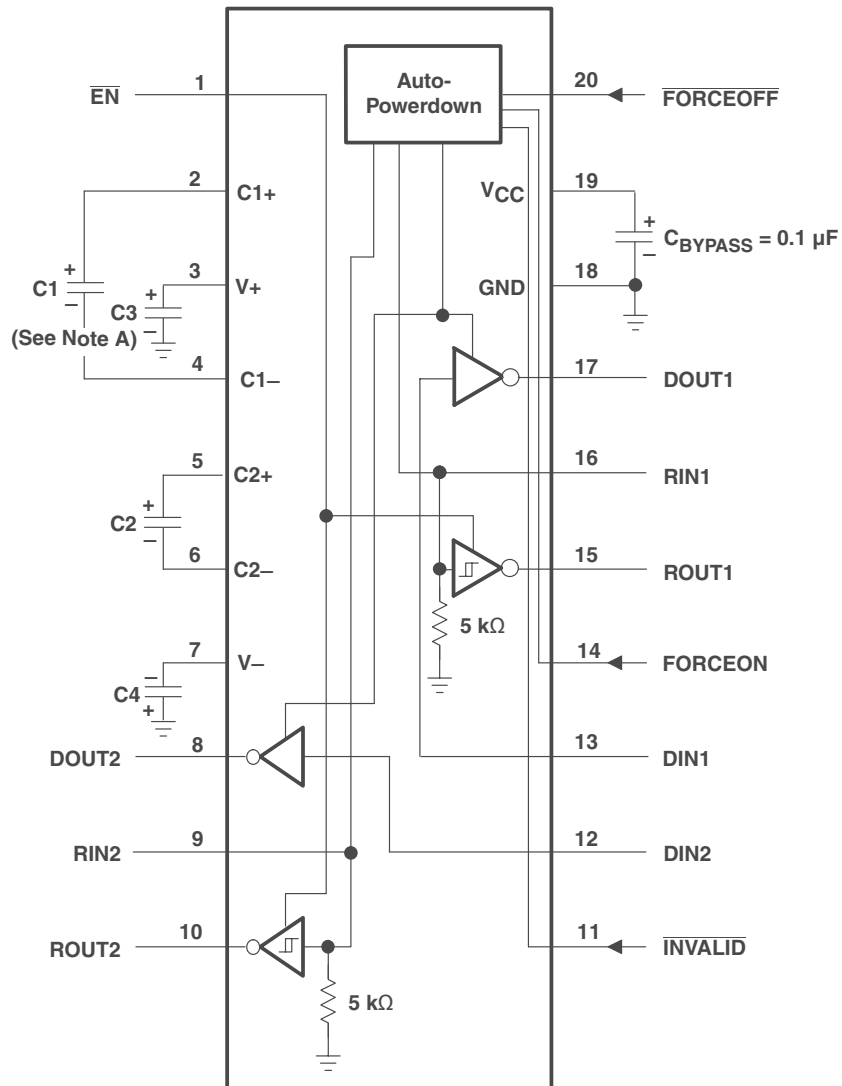
PARAMETER MEASUREMENT INFORMATION (continued)



- A. C_L includes probe and jig capacitance.
- B. The pulse generator has the following characteristics: PRR = 5 kbits/s, $Z_O = 50 \Omega$, 50% duty cycle, $t_r \leq 10$ ns, $t_f \leq 10$ ns.
- C. Auto-powerdown disables drivers and reduces supply current to 1 μ A.

Figure 5. $\overline{\text{INVALID}}$ Propagation Delay Times and Supply Enabling Time

APPLICATION INFORMATION



V_{CC} vs CAPACITOR VALUES

| V _{CC} | C1 | C2, C3, C4 |
|-----------------|----------|------------|
| 3.3 V ± 0.3 V | 0.1 μF | 0.1 μF |
| 5 V ± 0.5 V | 0.047 μF | 0.33 μF |
| 3 V to 5.5 V | 0.1 μF | 0.47 μF |

- A. C3 can be connected to V_{CC} or GND.
- B. Resistor values shown are nominal.

Figure 6. Typical Operating Circuit and Capacitor Values

PACKAGING INFORMATION

| Orderable Device | Status ⁽¹⁾ | Package Type | Package Drawing | Pins | Package Qty | Eco Plan ⁽²⁾ | Lead/ Ball Finish | MSL Peak Temp ⁽³⁾ | Samples (Requires Login) |
|------------------|-----------------------|--------------|-----------------|------|-------------|-------------------------|----------------------|------------------------------|----------------------------------|
| TRSF3223CDB | ACTIVE | SSOP | DB | 20 | | TBD | Call TI | Call TI | Purchase Samples |
| TRSF3223CDBG4 | ACTIVE | SSOP | DB | 20 | | TBD | Call TI | Call TI | Purchase Samples |
| TRSF3223CDBR | ACTIVE | SSOP | DB | 20 | | TBD | Call TI | Call TI | Purchase Samples |
| TRSF3223CDBRG4 | ACTIVE | SSOP | DB | 20 | | TBD | Call TI | Call TI | Purchase Samples |
| TRSF3223CDW | ACTIVE | SOIC | DW | 20 | | TBD | Call TI | Call TI | Purchase Samples |
| TRSF3223CDWG4 | ACTIVE | SOIC | DW | 20 | | TBD | Call TI | Call TI | Purchase Samples |
| TRSF3223CDWR | ACTIVE | SOIC | DW | 20 | | TBD | Call TI | Call TI | Purchase Samples |
| TRSF3223CDWRG4 | ACTIVE | SOIC | DW | 20 | | TBD | Call TI | Call TI | Purchase Samples |
| TRSF3223CPW | ACTIVE | TSSOP | PW | 20 | | TBD | Call TI | Call TI | Purchase Samples |
| TRSF3223CPWG4 | ACTIVE | TSSOP | PW | 20 | | TBD | Call TI | Call TI | Purchase Samples |
| TRSF3223CPWR | ACTIVE | TSSOP | PW | 20 | | TBD | Call TI | Call TI | Purchase Samples |
| TRSF3223CPWRG4 | ACTIVE | TSSOP | PW | 20 | | TBD | Call TI | Call TI | Purchase Samples |
| TRSF3223IDB | ACTIVE | SSOP | DB | 20 | | TBD | Call TI | Call TI | Purchase Samples |
| TRSF3223IDBG4 | ACTIVE | SSOP | DB | 20 | | TBD | Call TI | Call TI | Purchase Samples |
| TRSF3223IDBR | ACTIVE | SSOP | DB | 20 | | TBD | Call TI | Call TI | Purchase Samples |
| TRSF3223IDBRG4 | ACTIVE | SSOP | DB | 20 | | TBD | Call TI | Call TI | Purchase Samples |
| TRSF3223IDW | ACTIVE | SOIC | DW | 20 | | TBD | Call TI | Call TI | Purchase Samples |
| TRSF3223IDWG4 | ACTIVE | SOIC | DW | 20 | | TBD | Call TI | Call TI | Purchase Samples |
| TRSF3223IDWR | ACTIVE | SOIC | DW | 20 | | TBD | Call TI | Call TI | Purchase Samples |
| TRSF3223IDWRG4 | ACTIVE | SOIC | DW | 20 | | TBD | Call TI | Call TI | Purchase Samples |
| TRSF3223IPW | ACTIVE | TSSOP | PW | 20 | | TBD | Call TI | Call TI | Purchase Samples |
| TRSF3223IPWG4 | ACTIVE | TSSOP | PW | 20 | | TBD | Call TI | Call TI | Purchase Samples |
| TRSF3223IPWR | ACTIVE | TSSOP | PW | 20 | | TBD | Call TI | Call TI | Purchase Samples |
| TRSF3223IPWRG4 | ACTIVE | TSSOP | PW | 20 | | TBD | Call TI | Call TI | Purchase Samples |

⁽¹⁾ The marketing status values are defined as follows:

ACTIVE: Product device recommended for new designs.

LIFEBUY: TI has announced that the device will be discontinued, and a lifetime-buy period is in effect.

NRND: Not recommended for new designs. Device is in production to support existing customers, but TI does not recommend using this part in a new design.

PREVIEW: Device has been announced but is not in production. Samples may or may not be available.

OBSOLETE: TI has discontinued the production of the device.

⁽²⁾ Eco Plan - The planned eco-friendly classification: Pb-Free (RoHS), Pb-Free (RoHS Exempt), or Green (RoHS & no Sb/Br) - please check <http://www.ti.com/productcontent> for the latest availability information and additional product content details.

TBD: The Pb-Free/Green conversion plan has not been defined.

Pb-Free (RoHS): TI's terms "Lead-Free" or "Pb-Free" mean semiconductor products that are compatible with the current RoHS requirements for all 6 substances, including the requirement that lead not exceed 0.1% by weight in homogeneous materials. Where designed to be soldered at high temperatures, TI Pb-Free products are suitable for use in specified lead-free processes.

Pb-Free (RoHS Exempt): This component has a RoHS exemption for either 1) lead-based flip-chip solder bumps used between the die and package, or 2) lead-based die adhesive used between the die and leadframe. The component is otherwise considered Pb-Free (RoHS compatible) as defined above.

Green (RoHS & no Sb/Br): TI defines "Green" to mean Pb-Free (RoHS compatible), and free of Bromine (Br) and Antimony (Sb) based flame retardants (Br or Sb do not exceed 0.1% by weight in homogeneous material)

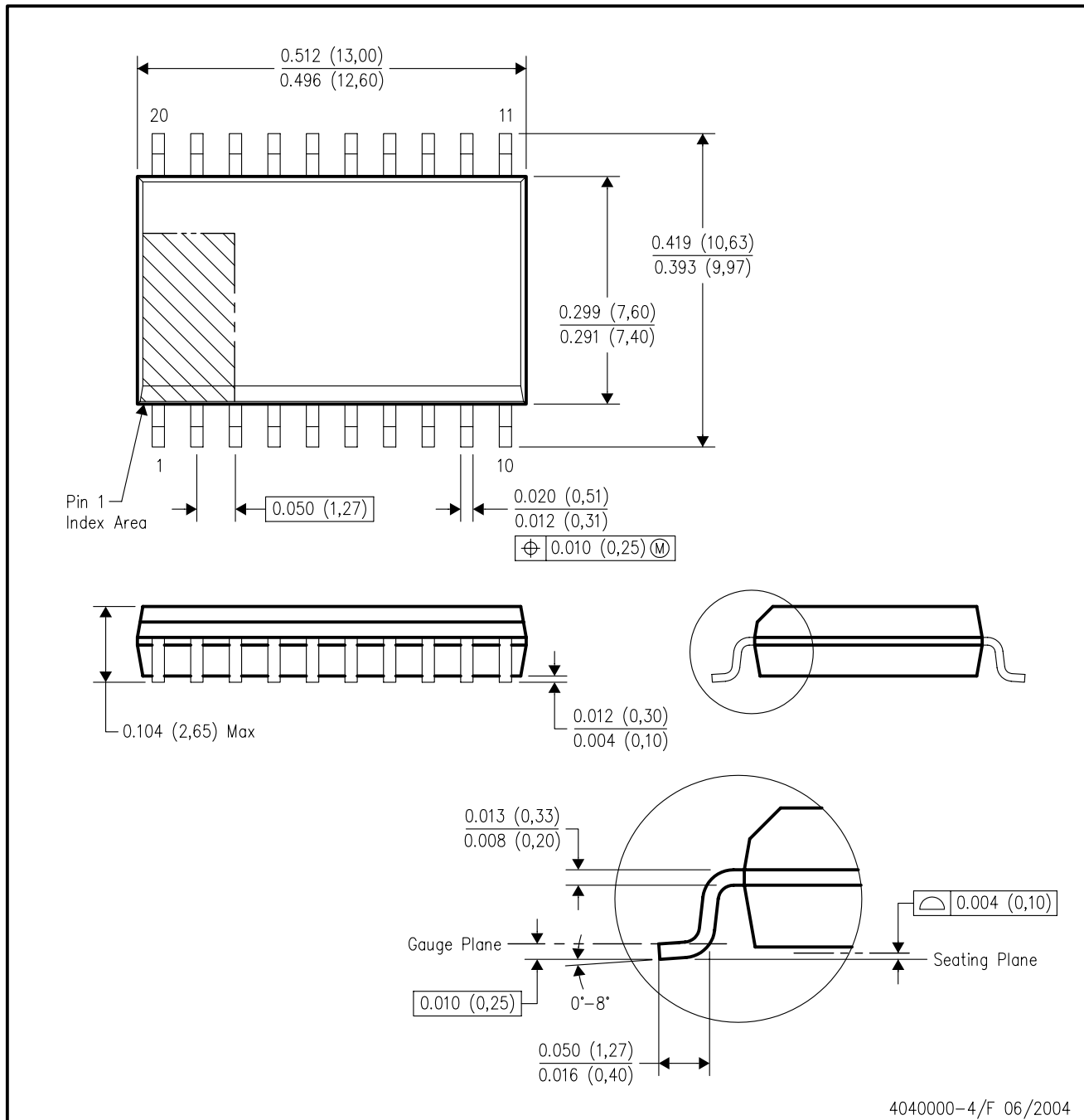
⁽³⁾ MSL, Peak Temp. -- The Moisture Sensitivity Level rating according to the JEDEC industry standard classifications, and peak solder temperature.

Important Information and Disclaimer: The information provided on this page represents TI's knowledge and belief as of the date that it is provided. TI bases its knowledge and belief on information provided by third parties, and makes no representation or warranty as to the accuracy of such information. Efforts are underway to better integrate information from third parties. TI has taken and continues to take reasonable steps to provide representative and accurate information but may not have conducted destructive testing or chemical analysis on incoming materials and chemicals. TI and TI suppliers consider certain information to be proprietary, and thus CAS numbers and other limited information may not be available for release.

In no event shall TI's liability arising out of such information exceed the total purchase price of the TI part(s) at issue in this document sold by TI to Customer on an annual basis.

DW (R-PDSO-G20)

PLASTIC SMALL-OUTLINE PACKAGE



- NOTES:
- A. All linear dimensions are in inches (millimeters).
 - B. This drawing is subject to change without notice.
 - C. Body dimensions do not include mold flash or protrusion not to exceed 0.006 (0,15).
 - D. Falls within JEDEC MS-013 variation AC.

DB (R-PDSO-G**)

PLASTIC SMALL-OUTLINE

28 PINS SHOWN

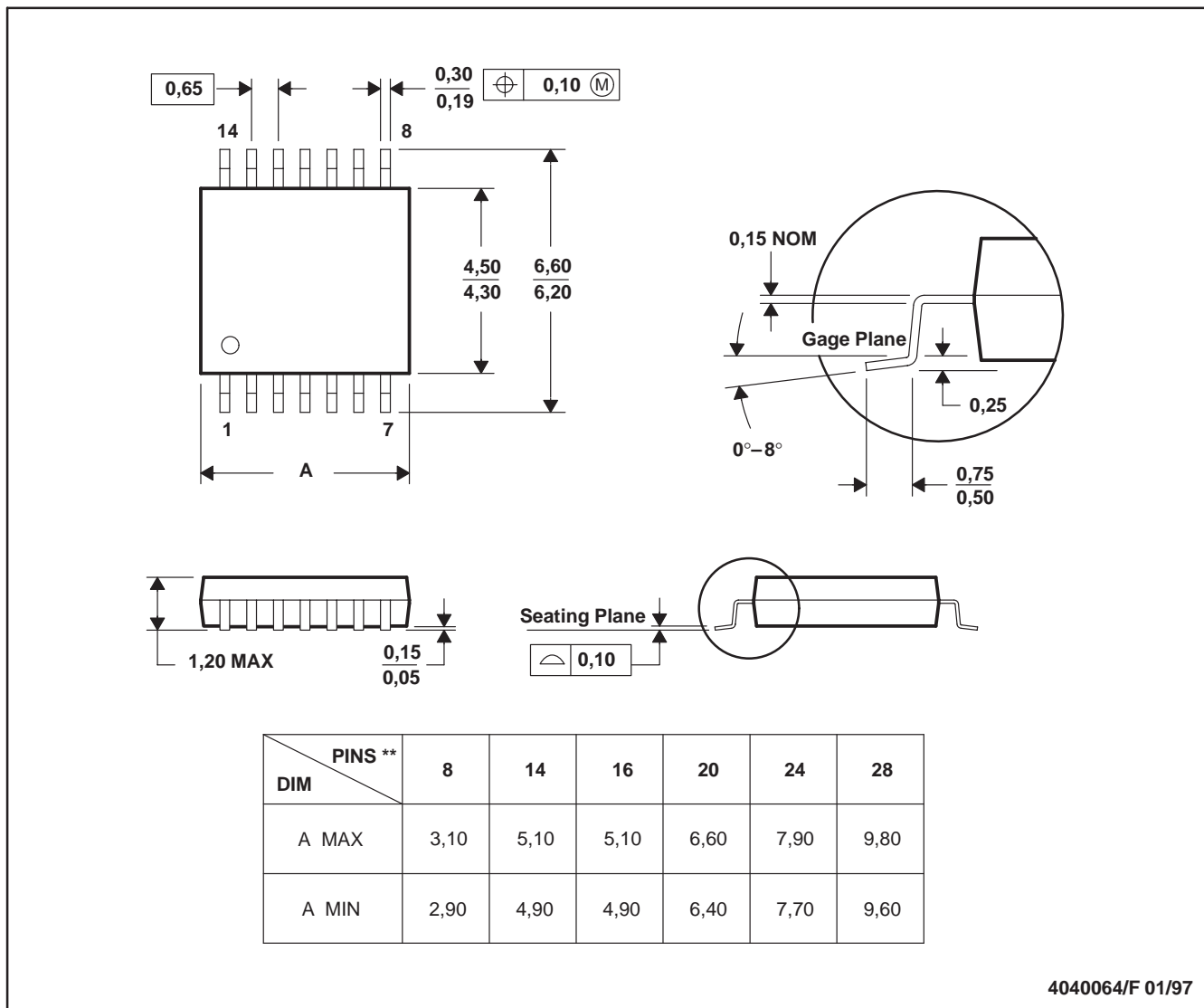


- NOTES: A. All linear dimensions are in millimeters.
 B. This drawing is subject to change without notice.
 C. Body dimensions do not include mold flash or protrusion not to exceed 0,15.
 D. Falls within JEDEC MO-150

PW (R-PDSO-G**)

PLASTIC SMALL-OUTLINE PACKAGE

14 PINS SHOWN



4040064/F 01/97

- NOTES: A. All linear dimensions are in millimeters.
 B. This drawing is subject to change without notice.
 C. Body dimensions do not include mold flash or protrusion not to exceed 0,15.
 D. Falls within JEDEC MO-153

IMPORTANT NOTICE

Texas Instruments Incorporated and its subsidiaries (TI) reserve the right to make corrections, modifications, enhancements, improvements, and other changes to its products and services at any time and to discontinue any product or service without notice. Customers should obtain the latest relevant information before placing orders and should verify that such information is current and complete. All products are sold subject to TI's terms and conditions of sale supplied at the time of order acknowledgment.

TI warrants performance of its hardware products to the specifications applicable at the time of sale in accordance with TI's standard warranty. Testing and other quality control techniques are used to the extent TI deems necessary to support this warranty. Except where mandated by government requirements, testing of all parameters of each product is not necessarily performed.

TI assumes no liability for applications assistance or customer product design. Customers are responsible for their products and applications using TI components. To minimize the risks associated with customer products and applications, customers should provide adequate design and operating safeguards.

TI does not warrant or represent that any license, either express or implied, is granted under any TI patent right, copyright, mask work right, or other TI intellectual property right relating to any combination, machine, or process in which TI products or services are used. Information published by TI regarding third-party products or services does not constitute a license from TI to use such products or services or a warranty or endorsement thereof. Use of such information may require a license from a third party under the patents or other intellectual property of the third party, or a license from TI under the patents or other intellectual property of TI.

Reproduction of TI information in TI data books or data sheets is permissible only if reproduction is without alteration and is accompanied by all associated warranties, conditions, limitations, and notices. Reproduction of this information with alteration is an unfair and deceptive business practice. TI is not responsible or liable for such altered documentation. Information of third parties may be subject to additional restrictions.

Resale of TI products or services with statements different from or beyond the parameters stated by TI for that product or service voids all express and any implied warranties for the associated TI product or service and is an unfair and deceptive business practice. TI is not responsible or liable for any such statements.

TI products are not authorized for use in safety-critical applications (such as life support) where a failure of the TI product would reasonably be expected to cause severe personal injury or death, unless officers of the parties have executed an agreement specifically governing such use. Buyers represent that they have all necessary expertise in the safety and regulatory ramifications of their applications, and acknowledge and agree that they are solely responsible for all legal, regulatory and safety-related requirements concerning their products and any use of TI products in such safety-critical applications, notwithstanding any applications-related information or support that may be provided by TI. Further, Buyers must fully indemnify TI and its representatives against any damages arising out of the use of TI products in such safety-critical applications.

TI products are neither designed nor intended for use in military/aerospace applications or environments unless the TI products are specifically designated by TI as military-grade or "enhanced plastic." Only products designated by TI as military-grade meet military specifications. Buyers acknowledge and agree that any such use of TI products which TI has not designated as military-grade is solely at the Buyer's risk, and that they are solely responsible for compliance with all legal and regulatory requirements in connection with such use.

TI products are neither designed nor intended for use in automotive applications or environments unless the specific TI products are designated by TI as compliant with ISO/TS 16949 requirements. Buyers acknowledge and agree that, if they use any non-designated products in automotive applications, TI will not be responsible for any failure to meet such requirements.

Following are URLs where you can obtain information on other Texas Instruments products and application solutions:

| Products | | Applications | |
|-----------------------------|--------------------------------------------------------------------|----------------------------|------------------------------------------------------------------------------------------|
| Amplifiers | amplifier.ti.com | Audio | www.ti.com/audio |
| Data Converters | dataconverter.ti.com | Automotive | www.ti.com/automotive |
| DLP® Products | www.dlp.com | Communications and Telecom | www.ti.com/communications |
| DSP | dsp.ti.com | Computers and Peripherals | www.ti.com/computers |
| Clocks and Timers | www.ti.com/clocks | Consumer Electronics | www.ti.com/consumer-apps |
| Interface | interface.ti.com | Energy | www.ti.com/energy |
| Logic | logic.ti.com | Industrial | www.ti.com/industrial |
| Power Mgmt | power.ti.com | Medical | www.ti.com/medical |
| Microcontrollers | microcontroller.ti.com | Security | www.ti.com/security |
| RFID | www.ti-rfid.com | Space, Avionics & Defense | www.ti.com/space-avionics-defense |
| RF/IF and ZigBee® Solutions | www.ti.com/lprf | Video and Imaging | www.ti.com/video |
| | | Wireless | www.ti.com/wireless-apps |

Mailing Address: Texas Instruments, Post Office Box 655303, Dallas, Texas 75265
Copyright © 2010, Texas Instruments Incorporated