

阅读申明

- 1.本站收集的数据手册和产品资料都来自互联网，版权归原作者所有。如读者和版权方有任何异议请及时告之，我们将妥善解决。
- 2.本站提供的中文数据手册是英文数据手册的中文翻译，其目的是协助用户阅读，该译文无法自动跟随原稿更新，同时也可能存在翻译上的不当。建议读者以英文原稿为参考以便获得更精准的信息。
- 3.本站提供的产品资料，来自厂商的技术支持或者使用者的心得体会等，其内容可能存在描述上的差异，建议读者做出适当判断。
- 4.如需与我们联系，请发邮件到marketing@iczoom.com，主题请标有“数据手册”字样。

Read Statement

1. The datasheets and other product information on the site are all from network reference or other public materials, and the copyright belongs to the original author and original published source. If readers and copyright owners have any objections, please contact us and we will deal with it in a timely manner.
2. The Chinese datasheets provided on the website is a Chinese translation of the English datasheets. Its purpose is for reader's learning exchange only and do not involve commercial purposes. The translation cannot be automatically updated with the original manuscript, and there may also be improper translations. Readers are advised to use the English manuscript as a reference for more accurate information.
3. All product information provided on the website refer to solutions from manufacturers' technical support or users the contents may have differences in description, and readers are advised to take the original article as the standard.
4. If you have any questions, please contact us at marketing@iczoom.com and mark the subject with "Datasheets" .

Features

- Supply Voltage up to 40V
- Operating Voltage $V_S = 5V$ to 18V
- Typically 10 μA Supply Current During Sleep Mode
- Typically 40 μA Supply Current in Silent Mode
- Linear Low-drop Voltage Regulator:
 - Normal Mode: $V_{CC} = 5V \pm 2\%/50 mA$
 - Silent Mode: $V_{CC} = 5V \pm 7\%/50 mA$
 - Sleep Mode: V_{CC} is Switched Off
- V_{CC} Undervoltage Detection with Reset Output NRES (10 ms Reset Time)
- Voltage Regulator is Short-circuit and Over-temperature Protected
- LIN Physical Layer According to LIN Specification Revision 2.0
- Wake-up Capability via LIN Bus (90 μs Dominant)
- TXD Time-out Timer (9 ms)
- 60V Load-dump Protection at LIN Pin
- Bus Pin is Overtemperature and Short-circuit Protected versus GND and Battery
- High EMC Level
- 5V CMOS-compatible I/O Pins to MCU
- ESD HBM 6 kV at Pins LIN and VS
- Interference and Damage Protection According to ISO/CD7637
- Package: SO8

1. Description

ATA6620N is a fully integrated LIN transceiver, designed according to the LIN specification 2.0, with a low-drop voltage regulator (5V/50 mA). The combination of voltage regulator and bus transceiver makes it possible to develop simple, but powerful, slave nodes in LIN Bus systems. ATA6620N is designed to handle the low-speed data communication in vehicles (for example, in convenience electronics). Improved slope control at the LIN driver ensures secure data communication up to 20 kBaud with an RC oscillator for the protocol handling. The bus output is designed to withstand high voltage. Sleep mode (voltage regulator switched off) and Silent mode (communication off; V_{CC} voltage on) guarantee minimized current consumption.

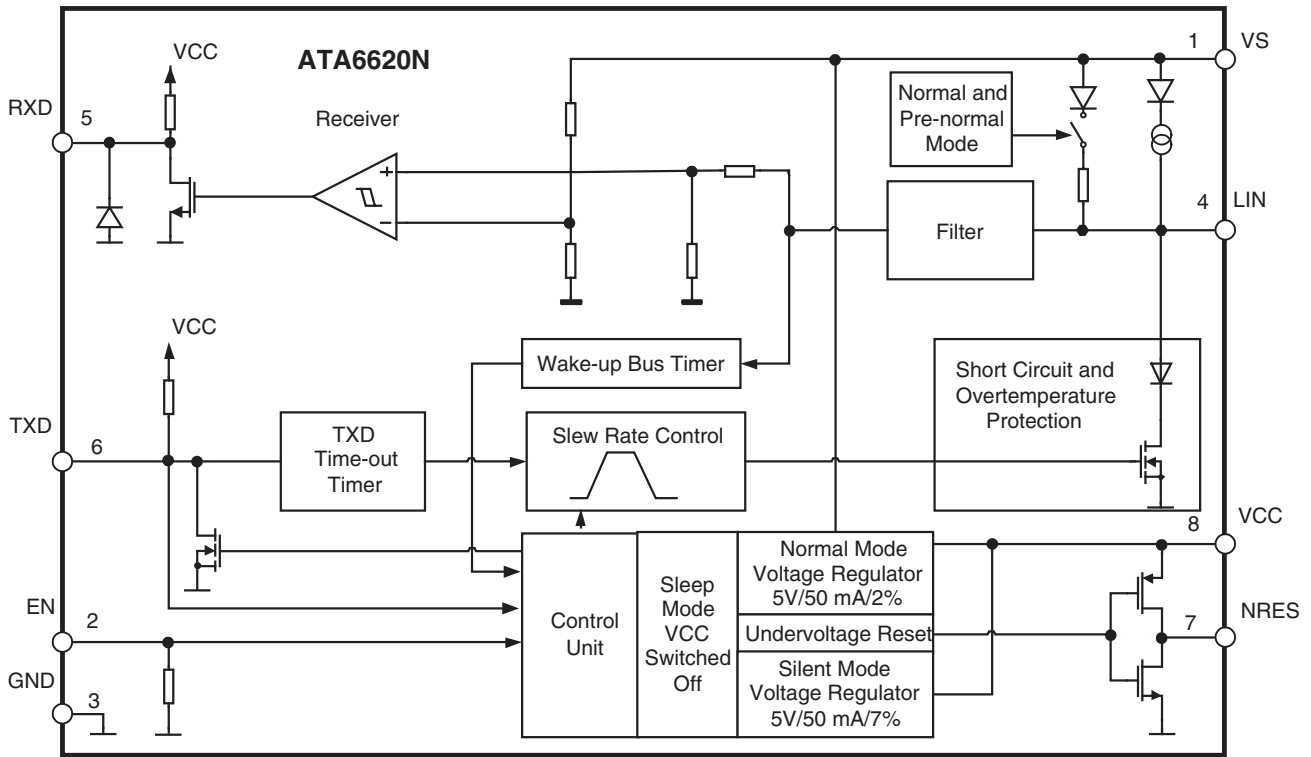


LIN Bus Transceiver with Integrated Voltage Regulator

ATA6620N



Figure 1-1. Block Diagram



2. Pin Configuration

Figure 2-1. Pinning SO8

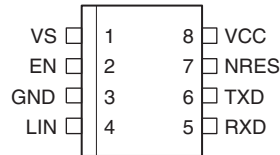


Table 2-1. Pin Description

Pin	Symbol	Function
1	VS	Battery supply
2	EN	Enables Normal mode if the input is high
3	GND	Ground
4	LIN	LIN bus line input/output
5	RXD	Receive data output
6	TXD	Transmit data input, active low output
7	NRES	Output undervoltage reset, low at reset
8	VCC	Output voltage regulator 5V/50 mA

3. Functional Description

3.1 Physical Layer Compatibility

Since the LIN physical layer is independent from higher LIN layers (e.g., the LIN protocol layer), all nodes with a LIN physical layer according to revision 2.0 can be mixed with LIN physical layer nodes, which, according to older versions (i.e., LIN 1.0, LIN 1.1, LIN 1.2, LIN 1.3), are without any restrictions.

3.2 Supply Pin (VS)

LIN operating voltage is $V_S = 5V$ to $18V$. After switching on V_S , the IC starts with the Pre-normal mode and the voltage regulator is switched on (that is, 5V/50 mA output capability).

The supply current in Sleep mode is typically 10 μA and 40 μA in Silent mode.

3.3 Ground Pin (GND)

The IC is neutral on the LIN pin in case of GND disconnection. It is able to handle a ground shift up to 3V for supply voltage above 9V at the VS pin.

3.4 Voltage Regulator Output Pin (VCC)

The internal 5V voltage regulator is capable of driving loads with up to 50 mA, supplying the microcontroller and other ICs on the PCB. It is protected against overload by means of current limitation and overtemperature shut-down. Furthermore, the output voltage is monitored and will cause a reset signal at the NRES output pin if it drops below a defined threshold V_{thun} .

3.5 Undervoltage Reset Output (NRES)

This push-pull output is supplied from the V_{CC} voltage. If the V_{CC} voltage falls below the undervoltage detection threshold of V_{thun} , NRES switches to low after t_{res_f} (see [Figure 4-7 on page 11](#)) except the IC is switched into Sleep mode. Even if $V_{CC} = 0V$ the NRES stays low, because it is internally driven from the V_S voltage. If V_S voltage ramps down, NRES stays low until $V_S < 1.5V$ and then becomes highly resistive.

The implemented undervoltage delay keeps NRES low for $t_{Reset} = 10$ ms after V_{CC} reaches its nominal value.

3.6 Bus Pin (LIN)

A low-side driver with internal current limitation and thermal shutdown, as well as an internal pull-up resistor according to LIN specification 2.0 is implemented. The voltage range is from $-40V$ to $+60V$. This pin exhibits no reverse current from the LIN bus to V_S , even in the case of a GND shift or V_{Batt} disconnection. The LIN receiver thresholds are compatible with the LIN protocol specification.

The fall time (from recessive to dominant) and the rise time (from dominant to recessive) are slope controlled. The output has a short-circuit limitation. This is a self-adapting current limitation; that is, during current limitation, as the chip temperature increases, the current decreases.

3.7 Input/Output Pin (TXD)

This pin is the microcontroller interface to control the state of the LIN output. TXD must be pulled to ground in order to drive the LIN bus low. If TXD is high or unconnected (internal pull-up resistor), the LIN output transistor is turned off and the bus is in the recessive state.

3.8 Dominant Time-out Function (TXD)

The TXD input has an internal pull-up resistor. An internal timer prevents the bus line from being driven permanently in the dominant state. If TXD is forced to low longer than $t_{DOM} > 4$ ms, the LIN bus driver is switched to the recessive state. To reset this dominant time-out mode, TXD must be switched to high (> 10 μ s) before normal data transmission can be started.

3.9 Output Pin (RXD)

This pin reports the state of the LIN bus to the microcontroller. LIN high (recessive state) is reported by a high level at RXD; LIN low (dominant state) is reported by a low level at RXD. The output has an internal pull-up structure with typically 5 k Ω to V_{CC} . The AC characteristics are measured with an external load capacitor of 20 pF.

The output is short-circuit protected. In unpowered mode (that is, $V_S = 0V$), RXD is switched off.

3.10 Enable Input Pin (EN)

This pin controls the operation mode of the interface. After power up of V_S (battery), the IC switches to Pre-normal mode, even if EN is low or unconnected (internal pull-down resistor). If EN is high, the interface is in Normal mode.

A falling edge at EN while TXD is still high forces the device to Silent mode. A falling edge at EN while TXD is low forces the device to Sleep mode.

4. Mode of Operation

Figure 4-1. Mode of Operation

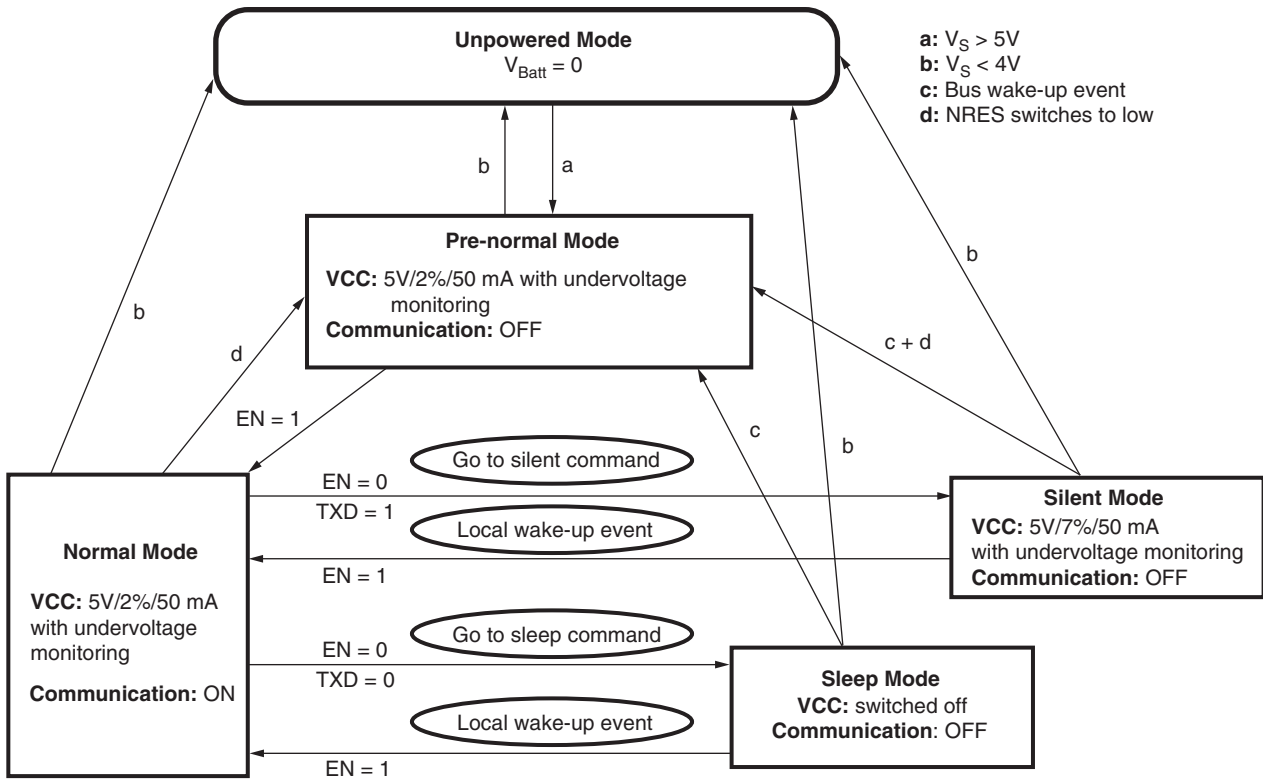


Table 4-1. Mode of Operation

Mode of Operation	Communication	V_{CC}	RXD	LIN
Pre-normal	OFF	5V	5V	Recessive
Normal	ON	5V	5V	Recessive
Silent	OFF	5V	5V	Recessive
Sleep	OFF	0V	0V	Recessive

4.1 Normal Mode

This is the normal transmitting and receiving mode of the LIN Interface, in accordance with LIN specification 2.0. The V_{CC} voltage regulator operates with a 5V output voltage, with a low tolerance of $\pm 2\%$ and a maximum output current of 50 mA.

If an undervoltage condition occurs, NRES is switched to low and the ATA6620N changes state to Pre-normal mode. All features are available.

4.2 Modes of Reduced Current Consumption

4.2.1 Silent Mode

A falling edge at EN while TXD is high switches the IC into Silent mode. The TXD Signal has to be logic high during the Mode Select window (see Figure 4-2 on page 6). For EN and TXD either two independent outputs can be used, or two outputs from the same microcontroller port; in the second case, the mode change is only one command.

In Silent mode the transmission path is disabled. Supply current from V_{Batt} is typically $I_{V_{SSi}} = 40 \mu A$ with no load at the V_{CC} regulator.

The overall supply current from V_{Batt} is the result of $40 \mu A$ plus the V_{CC} regulator output current $I_{V_{CCs}}$.

The 5V regulator is in low tolerance mode (4.65V to 5.35V) and can source up to 50 mA. In Silent mode the internal slave termination between pin LIN and pin VS is disabled to minimize the power dissipation in case pin LIN is short-circuited to GND. Only a weak pull-up current (typically $10 \mu A$) between pin LIN and pin VS is present.

The Silent mode voltage is sufficient to run an external microcontroller on the ECU, for example in Power Down mode. The undervoltage reset is $V_{CCthS} < 4.4V$. If an undervoltage condition occurs, NRES is switched to low and the ATA6620N changes state to Pre-normal mode.

A falling edge at pin LIN followed by a dominant bus level maintained for a certain time period (t_{bus}) results in a remote wake-up request. The device switches from Silent mode to Pre-normal mode, then the internal LIN slave termination resistor is switched on. The remote wake-up request is indicated by a low level at pin RXD to interrupt the microcontroller and a high level at pin TXD (see Figure 4-3 on page 7).

With EN high, ATA6620N switches directly from Silent- via Pre-normal to Normal mode.

Figure 4-2. Switch to Silent Mode

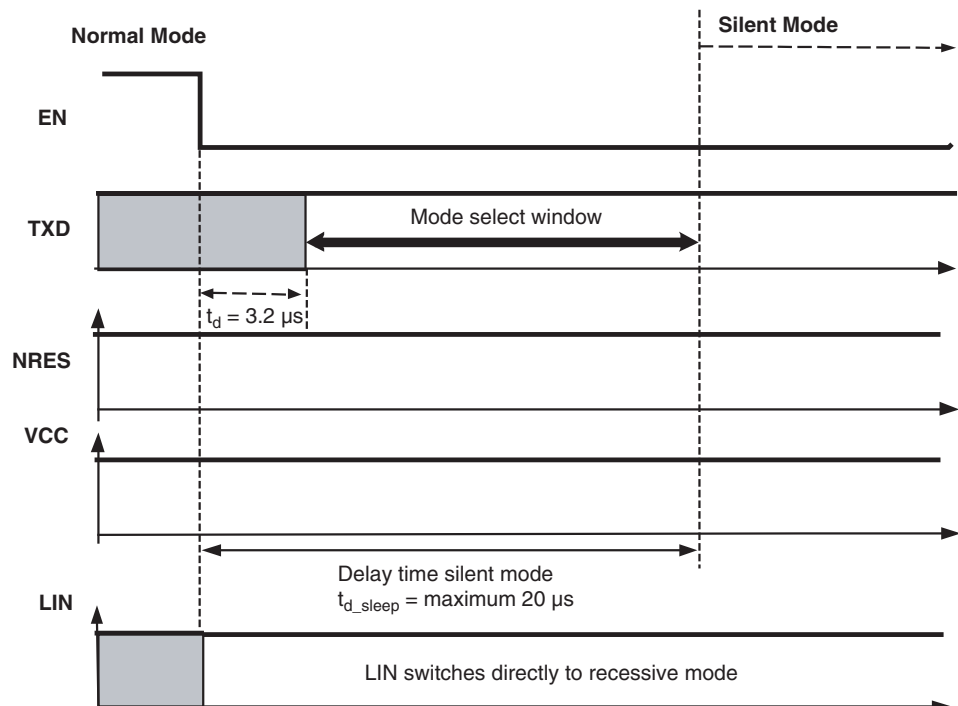
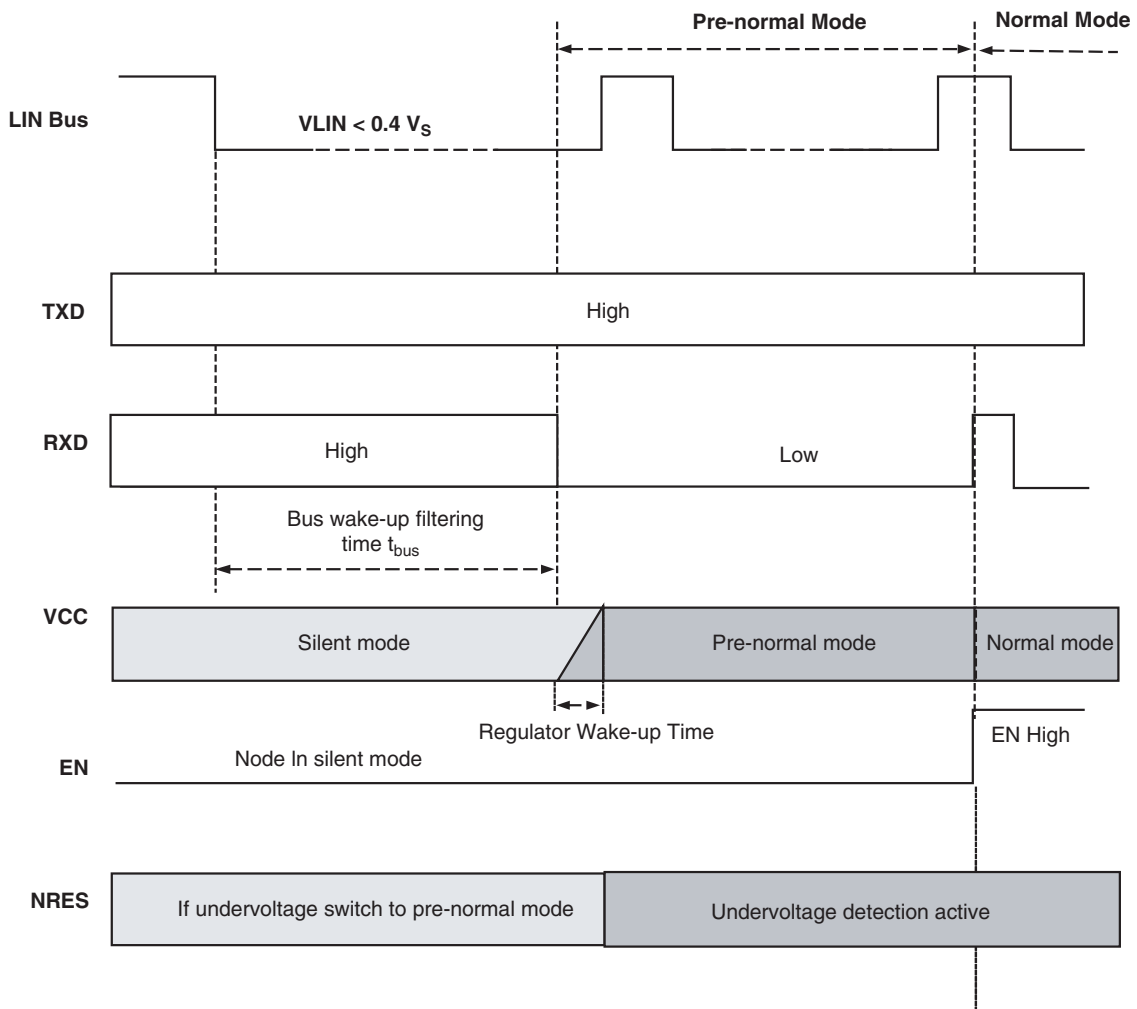


Figure 4-3. LIN Wake-up Waveform Diagram from Silent Mode



4.2.2 Sleep Mode

A falling edge at EN while TXD is low switches the IC into Sleep mode. The TXD Signal has to be logic low during the Mode Select window (see Figure 4-4). We recommend using the same microcontroller port for EN as for TXD; in this case the mode change is only one command.

In Sleep mode the transmission path is disabled. Supply current from V_{Batt} is typically $I_{V_{S_{sleep}}} = 10 \mu A$. The V_{CC} regulator is switched off; NRES and RXD are low. The internal slave termination between pin LIN and pin VS is disabled to minimize the power dissipation in case pin LIN is short-circuited to GND. Only a weak pull-up current (typically $10 \mu A$) between pin LIN and pin VS is present.

A falling edge at pin LIN followed by a dominant bus level maintained for a certain time period (t_{bus}) results in a remote wake-up request. The device switches from Sleep mode to Pre-normal mode. The V_{CC} regulator is activated and the internal LIN slave termination resistor is switched on. The remote wake-up request is indicated by a low level at pin RXD to interrupt the microcontroller and a high level at pin TXD (see Figure 4-5 on page 9).

With EN high you can switch directly from Silent to Normal mode. In the application where the ATA6620N supplies the microcontroller, the wake-up from Sleep mode is only possible via pin LIN.

If the device is switched into Sleep mode, V_{CC} ramps down without generating an undervoltage reset at pin NRES.

Figure 4-4. Switch to Sleep Mode

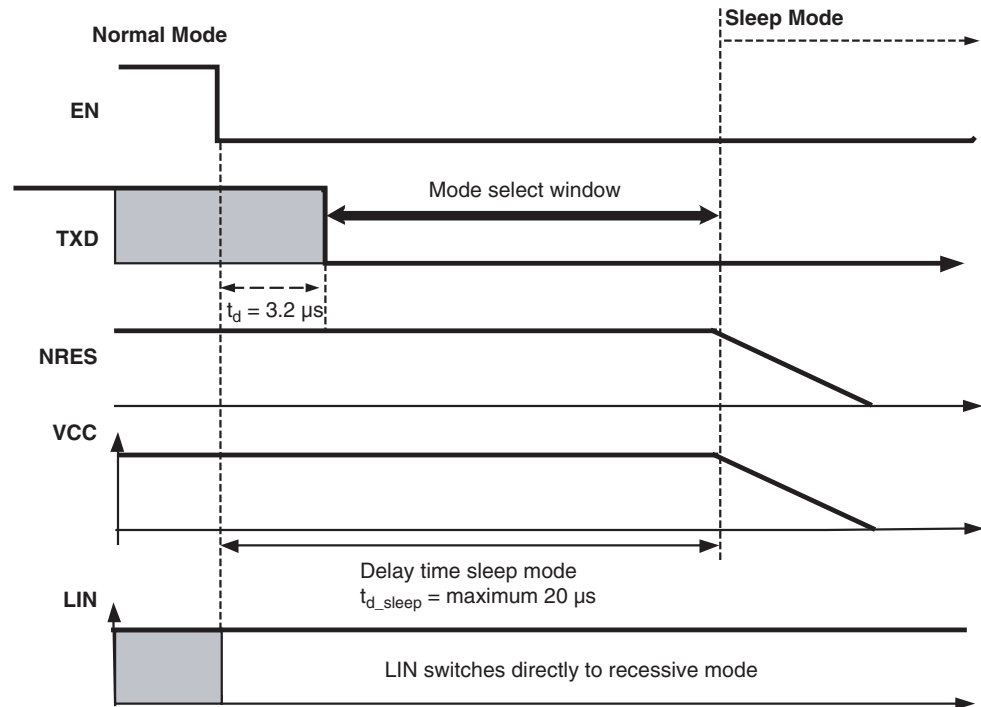
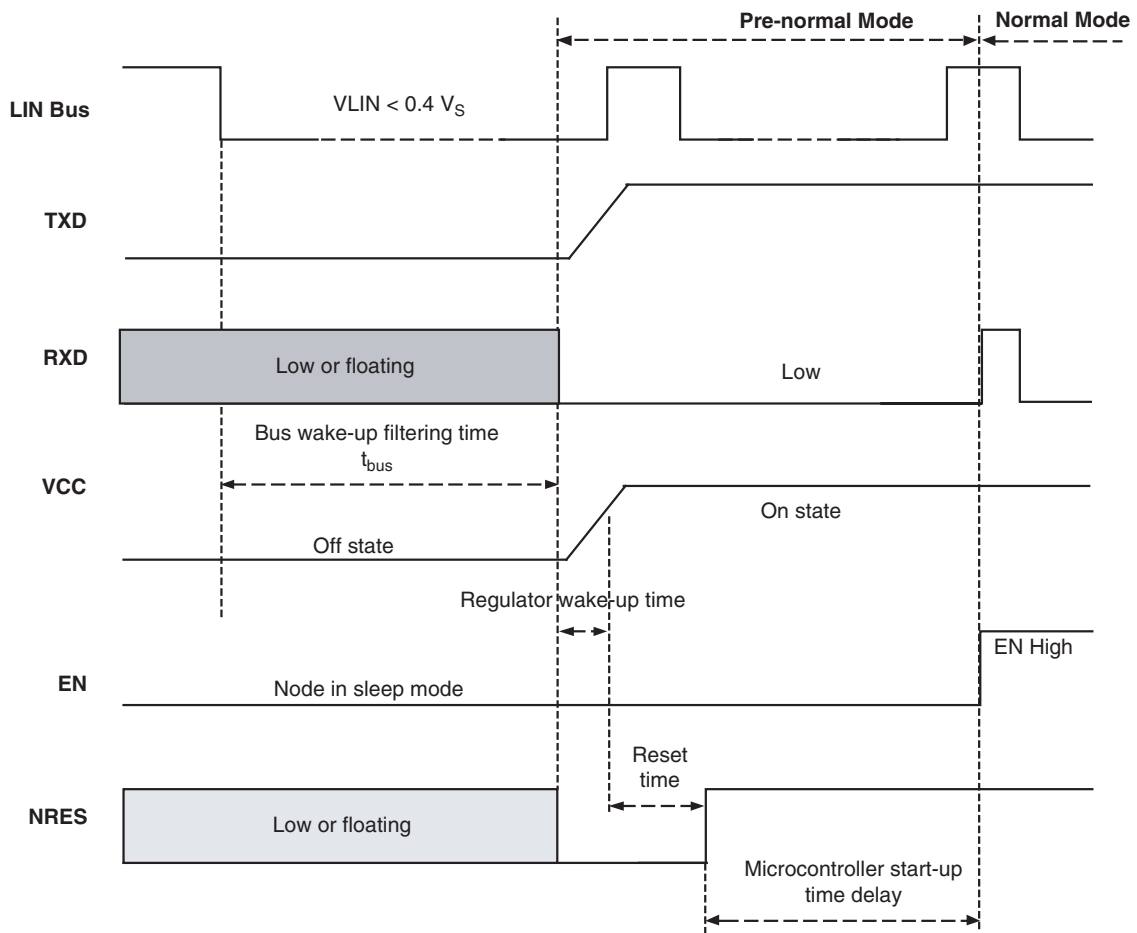


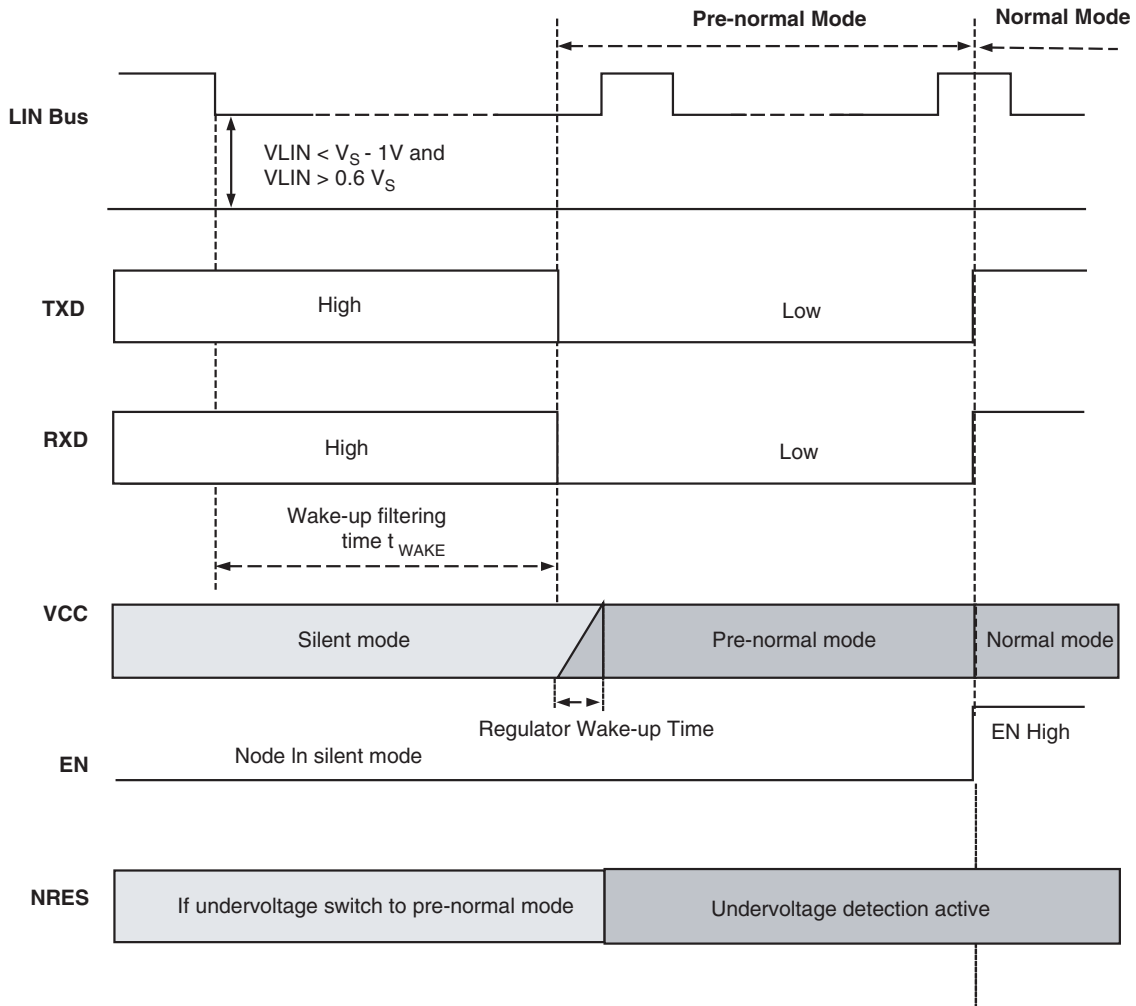
Figure 4-5. LIN Wake-up Diagram from Sleep Mode



4.2.3 Wake Up from Sleep/Silent Mode at an Insufficient Falling Edge at Pin LIN

If the ATA6620N is in Sleep mode or Silent mode and the voltage at the LIN Bus falls to a value lower than $V_{LINL} < V_S - 3.3V$ (see “[Electrical Characteristics](#)” numbers 9.5 and 9.6) but higher than $0.6 \times V_S$, then a wake up is detected and the circuit switches to pre-normal mode and the internal NMOS- transistor connected to the pin TXD is switched on and pulls down the pin TXD to Ground. The following figure shows the corresponding diagram for the wake-up from silent mode. The wake-up process from Sleep mode works analogue to this.

Figure 4-6. Wake Up from Silent Mode at an Insufficient Falling Edge at Pin LIN



When designing the complete system it has to be considered, that in this case (only in pre-normal mode) the pin TXD of the ATA6620N works as an output.

4.3 Pre-normal Mode

At system power-up the device automatically switches to Pre-normal mode. The voltage regulator is switched on ($V_{CC} = 5V/50\text{ mA}$) (see [Figure 4-7 on page 11](#)) after typically $t_{VCC} > 300\ \mu\text{s}$. The NRES output switches to low for $t_{res} = 10\text{ ms}$ and sends a reset to the microcontroller. LIN communication is switched off, and the undervoltage detection is active.

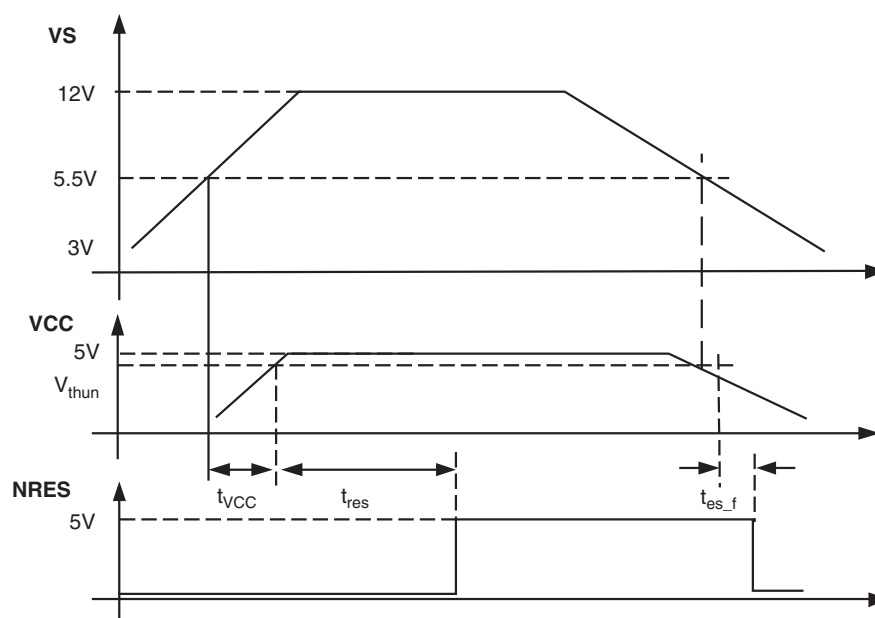
A power-down of V_{Batt} ($V_S < 4.15V$) during Silent or Sleep mode switches into Pre-normal mode after powering up the IC. During this mode the TXD pin is an output.

4.4 Unpowered Mode

If battery voltage is connected to the application circuit (see Figure 4-7), the voltage at the VS pin increases due to the block capacitor. When V_S is higher than the V_S undervoltage threshold, V_{Sth} , the IC-mode changes from Unpowered to Pre-normal mode. The V_{CC} output voltage reaches nominal value after t_{VCC} . This time depends on the V_{CC} capacitor and the load.

NRES is low for the reset time delay t_{Reset} ; no mode change is possible during this time.

Figure 4-7. V_{CC} Voltage Regulator: Ramp Up and Undervoltage



5. Fail-safe Features

- During a short circuit at LIN, the output limits the output current to I_{BUS_LIM} . Due to the power dissipation, the chip temperature exceeds t_{LINoff} and the LIN output is switched off. The chip cools down and after a hysteresis of t_{hys} , switches the output on again. During LIN overtemperature switch-off, the V_{CC} regulator works independently.
- There are now reverse currents $< 3 \mu A$ at pin LIN during loss of V_{Batt} or GND. This is optimal behavior for bus systems where some slave nodes are supplied from battery or ignition.
- During a short circuit at VCC, the output limits the output current to I_{VCCn} . Because of undervoltage, NRES switches to low and sends a reset to the microcontroller. The IC switches into Pre-normal mode. If the chip temperature exceeds the value t_{VCCoff} , the V_{CC} output switches off. The chip cools down and after a hysteresis of t_{hys} , switches the output on again. Because of Pre-normal mode, the V_{CC} voltage will switch on again although EN is switched off from the microcontroller. The microcontroller can then start with normal operation.
- Pin EN provides a pull-down resistor to force the transceiver into recessive mode if EN is disconnected.
- Pin RXD is set floating if V_{Batt} is disconnected.
- Pin TXD provides a pull-up resistor to force the transceiver into recessive mode if TXD is disconnected.

6. Voltage Regulator

The voltage regulator needs an external capacitor for compensation and to smooth the disturbances from the microcontroller. It is recommended to use a tantalum capacitor with $C > 10 \mu\text{F}$ and a ceramic capacitor with $C = 100 \text{ nF}$. The values of these capacitors can be varied by the customer, depending on the application.

During mode change from Silent to Normal mode, the voltage regulator ramps up to 6V for only a few microseconds before it drops back to 5V. This behavior depends on the value of the load capacitor. With $4.7 \mu\text{F}$, the overshoot voltage has its greatest value. This voltage decreases with higher or lower load capacitors.

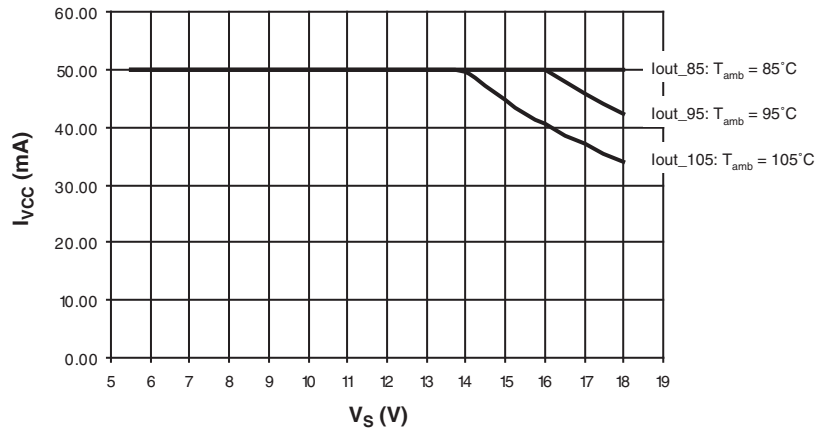
With this special SO8 package (fused lead frame to pin3) an R_{thja} of 80 K/W is achieved.

Therefore it is recommended to connect pin 3 with a wide GND plate on the printed board to get a good heat sink.

The main power dissipation of the IC is created from the V_{CC} output current I_{VCC} , which is needed for the application.

Figure 6-1 shows the safe operating area of the ATA6620N.

Figure 6-1. Safe Operating Area versus V_{CC} Output Current and Supply Voltage V_{S} at Different Ambient Temperatures with $R_{\text{thja}} = 80 \text{ K/W}$



For programming purposes of the microcontroller it is potentially necessary to supply the VCC output via an external power supply while the VS pin of the system basis chip is disconnected. This behavior is no problem for the system basis chip.

7. Absolute Maximum Ratings

Stresses beyond those listed under “Absolute Maximum Ratings” may cause permanent damage to the device. This is a stress rating only and functional operation of the device at these or any other conditions beyond those indicated in the operational sections of this specification is not implied. Exposure to absolute maximum rating conditions for extended periods may affect device reliability.

Parameters	Symbol	Min.	Typ.	Max.	Unit
Supply voltage V_S	V_S	-0.3		+40	V
Pulse time ≤ 500 ms T = 25°C Output current $I_{VCC} \leq 50$ mA	V_S			+40	V
Pulse time ≤ 2 min T = 25°C Output current $I_{VCC} \leq 50$ mA	V_S			27	V
Logic pins (RXD, TXD, EN, NRES)		-0.3		+6.5	V
Output current NRES	I_{NRES}	-2		+2	mA
LIN - DC voltage - Transient voltage		-40 -150		+60 +100	V V
V_{CC} - DC voltage		-0.3		+6.5	V
ESD (DIN EN 6100-4-2) Pin LIN, V_S versus GND according to LIN specification EMC Evaluation V 1.3		-6		+6	kV
HBM ESD S5.1 – all pins		-3		+3	kV
CDM ESD STM 5.3.1-1999 - All pins		-1000		+1000	V
Junction temperature	T_j	-40		+150	°C
Storage temperature	T_s	-55		+150	°C
Operating ambient temperature	T_a	-40		+125	°C
Thermal resistance junction to ambient (free air)	R_{thja}			145	K/W
Special heat sink at GND (pin 3) on PCB	R_{thja}		80		K/W
Thermal shutdown of V_{CC} regulator	T_{VCCoff}	150	160	170	°C
Thermal shutdown of LIN output	T_{LINoff}	150	160	170	°C
Thermal shutdown hysteresis	T_{hys}		10		°C

8. Electrical Characteristics

$5V < V_S < 18V$, $T_{amb} = -40^{\circ}C$ to $125^{\circ}C$

No.	Parameters	Test Conditions	Pin	Symbol	Min.	Typ.	Max.	Unit	Type*
1	VS Pin								
1.1	Nominal DC voltage range		VS	V_S	5	13.5	18	V	A
1.2	Supply current in Sleep mode	Sleep mode $V_{in} > V_{Batt} - 0.5V$ $V_{Batt} < 14V$ ($25^{\circ}C$ to $125^{\circ}C$)	VS	$I_{VSsleep}$		10	20	μA	A
1.3	Supply current in Silent mode	Bus recessive; $V_{Batt} < 14V$ ($25^{\circ}C$ to $125^{\circ}C$) Without load at V_{CC}	VS	I_{VSsi}		40	50	μA	A
1.4	Supply current in Normal mode	Bus recessive Without load at V_{CC}	VS	I_{VSrec}			4	mA	A
1.5	Supply current in Normal mode	Bus dominant V_{CC} load current 50 mA	VS	I_{VSdom}			55	mA	A
1.6	Power On Reset threshold		VS	POR_{th}	3		3.3	V	D
1.7	Power On Reset threshold hysteresis		VS	POR_{hys}		0.1		V	D
1.8	V_S undervoltage threshold		VS	V_{Sth}	4.15	4.5	5	V	A
1.9	VS undervoltage threshold hysteresis		VS	V_{Sth_hys}		0.2		V	C
2	RXD Output Pin								
2.1	Low level input current	Normal mode; $V_{LIN} = 0V$ $V_{RXD} = 0.4V$	RXD	I_{RXD}	2	5	8	mA	A
2.2	Low level output voltage	$I_{RXD} = 1\text{ mA}$	RXD	V_{RXDL}			0.3	V	A
2.3	Internal resistor to V_{CC}		RXD	R_{RXD}	3	5	7	$k\Omega$	A
3	TXD Input/Output Pin								
3.1	Low level voltage input		TXD	V_{TXDL}	-0.3		+1.5	V	A
3.2	High level voltage input		TXD	V_{TXDH}	3.5		$V_{CC} + 0.3V$	V	A
3.3	Pull-up resistor	$V_{TXD} = 0V$	TXD	R_{TXD}	125	250	600	$k\Omega$	A
3.4	High level leakage current	$V_{TXD} = 5V$	TXD	I_{TXD}	-3		+3	μA	A
3.5	Low-level output current	Pre-normal mode $V_{TXD} = 0.4V$ to $5V$	TXD	$I_{TXDwake}$	2	5	8	mA	A
4	EN Input Pin								
4.1	Low level voltage input		EN	V_{ENL}	-0.3		+1.5	V	A
4.2	High level voltage input		EN	V_{ENH}	3.5		$V_{CC} + 0.3V$	V	A
4.3	Pull-down resistor	$V_{EN} = 5V$	EN	R_{EN}	125	250	600	$k\Omega$	A
4.4	Low level input current	$V_{EN} = 0V$	EN	I_{EN}	-3		+3	μA	A

*) Type means: A = 100% tested, B = 100% correlation tested, C = Characterized on samples, D = Design parameter

8. Electrical Characteristics (Continued)

5V < V_S < 18V, T_{amb} = -40°C to 125°C

No.	Parameters	Test Conditions	Pin	Symbol	Min.	Typ.	Max.	Unit	Type*
5	NRES Output Pin								
5.1	High level output voltage	V _S ≥ 5.5V; I _{NRES} = -1 mA	NRES	V _{NRESH}	4.5			V	A
5.2	Low level output voltage	V _S ≥ 5.5V; I _{NRES} = +1 mA I _{NRES} = +250 μA	NRES	V _{NRESL} V _{NRESL}			0.2 0.14	V V	A A
5.3	Low level output low	10 kΩ to V _{CC} ; V _{CC} = 0.8V	NRES	V _{NRESLL}			0.2	V	A
5.4	Undervoltage reset time	V _{VS} ≥ 5.5V C _{NRES} = 20 pF	NRES	t _{Reset}	7		13	ms	A
5.5	Reset debounce time for falling edge	V _{VS} ≥ 5.5V C _{NRES} = 20 pF	NRES	t _{res_f}			3	μs	A
6	Voltage Regulator VCC Pin in Normal and Pre-normal Mode								
6.1	Output voltage V _{CC}	5.5V < V _S < 18V (0 mA – 50 mA)	VCC	V _{CCnor}	4.9		5.1	V	A
6.2	Output voltage V _{CC} at low V _S	3.3V < V _S < 5.5V	VCC	V _{CClow}	V _{VS} - V _D		5.1	V	A
6.3	Regulator drop voltage	V _S > 4.0V, I _{VCC} = -20 mA	VCC	V _D			250	mV	A
6.4	Regulator drop voltage	V _S > 4.0V, I _{VCC} = -50 mA	VCC	V _D			500	mV	A
6.5	Regulator drop voltage	V _S > 3.3V, I _{VCC} = -15 mA	VCC	V _D			200	mV	A
6.6	Output current	V _S > 3V	VCC	I _{VCC}	-50			mA	A
6.7	Output current limitation	V _S > 0V	VCC	I _{VCCs}	-200	-130		mA	A
6.8	Load capacity	1Ω < ESR < 5Ω at 100 kHz	VCC	C _{load}	1.8	2.2		μF	D
6.9	V _{CC} undervoltage threshold	Referred to V _{CC} V _S > 5.5V	VCC	V _{thunN}	4.4		4.8	V	A
6.10	Hysteresis of undervoltage threshold	Referred to V _{CC} V _S > 5.5V	VCC	V _{hysthun}	30			mV	A
6.11	Ramp up time V _S > 5.5V to V _{CC} > 4.9V	C _{VCC} = 4.7 μF No load	VCC	t _{VCC}			300	μs	A
7	Voltage Regulator VCC Pin in Silent Mode								
7.1	Output voltage V _{CC}	5.5V < V _S < 18V (0 mA – 50 mA)	VCC	V _{CCnor}	4.65		5.35	V	A
7.2	Output voltage V _{CC} at low V _S	3.3V < V _S < 5.5V (0 mA – 50 mA)	VCC	V _{CClow}	V _{VS} - V _D		5.1	V	A
7.3	Regulator drop voltage	V _S > 3.3V, I _{VCC} = 15 mA	VCC	V _D			200	mV	A
7.4	At V _{CC} undervoltage threshold the state switches back to Pre-normal mode	Referred to V _{CC} V _S > 5.5	VCC	V _{thunS}	3.9		4.4	V	A
7.5	Hysteresis of undervoltage threshold	Referred to V _{CC} V _S > 5.5V	VCC	V _{hysthun}	40			mV	D
7.6	Output current limitation	V _S > 0V	VCC	I _{VCCs}	-200	-130		mA	A

*) Type means: A = 100% tested, B = 100% correlation tested, C = Characterized on samples, D = Design parameter

8. Electrical Characteristics (Continued)

5V < V_S < 18V, T_{amb} = -40°C to 125°C

No.	Parameters	Test Conditions	Pin	Symbol	Min.	Typ.	Max.	Unit	Type*
8	LIN Bus Driver: Bus Load Conditions: Load 1 (Small): 1 nF, 1 kΩ; Load 2 (Large): 10 nF, 500Ω; R_{RXD} = 5 kΩ; C_{RXD} = 20 pF 10.5, 10.6 and 10.7 Specifies the Timing Parameters for Proper Operation at 20 Kbps								
8.1	Driver recessive output voltage	Load1/Load2	LIN	V _{BUSrec}	0.9 × V _S		V _S	V	A
8.2	Driver dominant voltage	V _{VS} = 7V R _{load} = 500 Ω	LIN	V _{LoSUP}			1.2	V	A
8.3	Driver dominant voltage	V _{VS} = 18V R _{load} = 500 Ω	LIN	V _{HiSUP}			2	V	A
8.4	Driver dominant voltage	V _{VS} = 7V R _{load} = 1000 Ω	LIN	V _{LoSUP_1k}	0.6			V	A
8.5	Driver dominant voltage	V _{VS} = 18V R _{load} = 1000 Ω	LIN	V _{HiSUP_1k}	0.8			V	A
8.6	Pull-up resistor to V _S	The serial diode is mandatory	LIN	R _{LIN}	20	30	60	kΩ	A
8.7	Self-adapting current limitation V _{BUS} = V _{Batt_max}	T _j = 125°C T _j = 27°C T _j = -40°C	LIN	I _{BUS_LIM}	52 100 120		110 170 230	mA mA mA	A
8.8	Input leakage current at the receiver including pull-up resistor as specified	Input Leakage current Driver off V _{BUS} = 0V V _{Batt} = 12V	LIN	I _{BUS_PAS_dom}	-1			mA	A
8.9	Leakage current LIN recessive	Driver off 8V < V _{Batt} < 18V 8V < V _{BUS} < 18V V _{BUS} ≥ V _{Batt}	LIN	I _{BUS_PAS_rec}		15	20	μA	A
8.10	Leakage current when control unit disconnected from ground. Loss of local ground must not affect communication in the residual network	GND _{Device} = V _S V _{Batt} = 12V 0V < V _{BUS} < 18V	LIN	I _{BUS_NO_gnd}	-10	+0.5	+10	μA	A
8.11	Node has to sustain the current that can flow under this condition. Bus must remain operational under this condition	V _{Batt} disconnected V _{SUP_Device} = GND 0V < V _{BUS} < 18V	LIN	I _{BUS}		0.5	3	μA	A
9	LIN Bus Receiver								
9.1	Center of receiver threshold	V _{BUS_CNT} = (V _{th_dom} + V _{th_rec})/2	LIN	V _{BUS_CNT}	0.475 × V _S	0.5 × V _S	0.525 × V _S	V	A
9.2	Receiver dominant state	V _{EN} = 5V	LIN	V _{BUSdom}	-27		0.4 × V _S	V	A
9.3	Receiver recessive state	V _{EN} = 5V	LIN	V _{BUSrec}	0.6 × V _S		40	V	A
9.4	Receiver input hysteresis	V _{hys} = V _{th_rec} - V _{th_dom}	LIN	V _{BUShys}	0.028 × V _S	0.1 × V _S	0.175 × V _S	V	A

*) Type means: A = 100% tested, B = 100% correlation tested, C = Characterized on samples, D = Design parameter

8. Electrical Characteristics (Continued)

5V < V_S < 18V, T_{amb} = -40°C to 125°C

No.	Parameters	Test Conditions	Pin	Symbol	Min.	Typ.	Max.	Unit	Type*
9.5	Wake detection LIN High level input voltage		LIN	V _{LINH}	V _S - 1V		V _S + 0.3V	V	A
9.6	Wake detection LIN Low level input voltage	I _{LIN} = typically -3 mA	LIN	V _{LINL}	-27		V _S - 3.3V	V	A
10	Internal Timers								
10.1	Dominant time for wake-up via LIN bus	V _{LIN} = 0V		t _{bus}	30	90	150	μs	A
10.2	Time delay for mode change from Pre-normal into Normal mode via pin EN	V _{EN} = 5V		t _{norm}	5		20	μs	A
10.3	Time delay for mode change from Normal mode to Sleep mode via pin EN	V _{EN} = 0V		t _{sleep}	2	7	15	μs	A
10.4	TXD dominant time out timer	V _{TXD} = 0V		t _{dom}	6	10	20	ms	A
10.5	Duty cycle 1	TH _{Rec(max)} = 0.744 × V _S ; TH _{Dom(max)} = 0.581 × V _S ; V _S = 7.0V to 18V; t _{Bit} = 50 ms D1 = t _{bus_rec(min)} / (2 × t _{Bit})		D1	0.396				A
10.6	Duty cycle 2	TH _{Rec(min)} = 0.422 × V _S ; TH _{Dom(min)} = 0.284 × V _S ; V _S = 7.0V to 18V; t _{Bit} = 50ms D2 = t _{bus_rec(max)} / (2 × t _{Bit})		D2			0.581		A
10.7	Slope time falling and rising edge at LIN			t _{SLOPE_fall} t _{SLOPE_rise}	3.5		22.5	μs	A
10.8	Time delay for mode change from Silent- into Normal mode via EN	V _{EN} = 5V		t _{s_n}	5	15	40	μs	A
11	Receiver Electrical AC Parameters of the LIN Physical Layer LIN Receiver, RXD Load Conditions (C_{RXD}): 20 pF; R_{pull-up} = 2.4 kΩ								
11.1	Propagation delay of receiver Switch to Sleep mode (see Figure 8-1 on page 18)	t _{rx_pd} = max(t _{rx_pdr} , t _{rx_pdf})		t _{rx_pd}			6	μs	A
11.2	Symmetry of receiver propagation delay rising edge minus falling edge	t _{rx_sym} = t _{rx_pdr} - t _{rx_pdf}		t _{rx_sym}	-2		+2	μs	A

*) Type means: A = 100% tested, B = 100% correlation tested, C = Characterized on samples, D = Design parameter

Figure 8-1. Definition of Bus Timing Characteristics

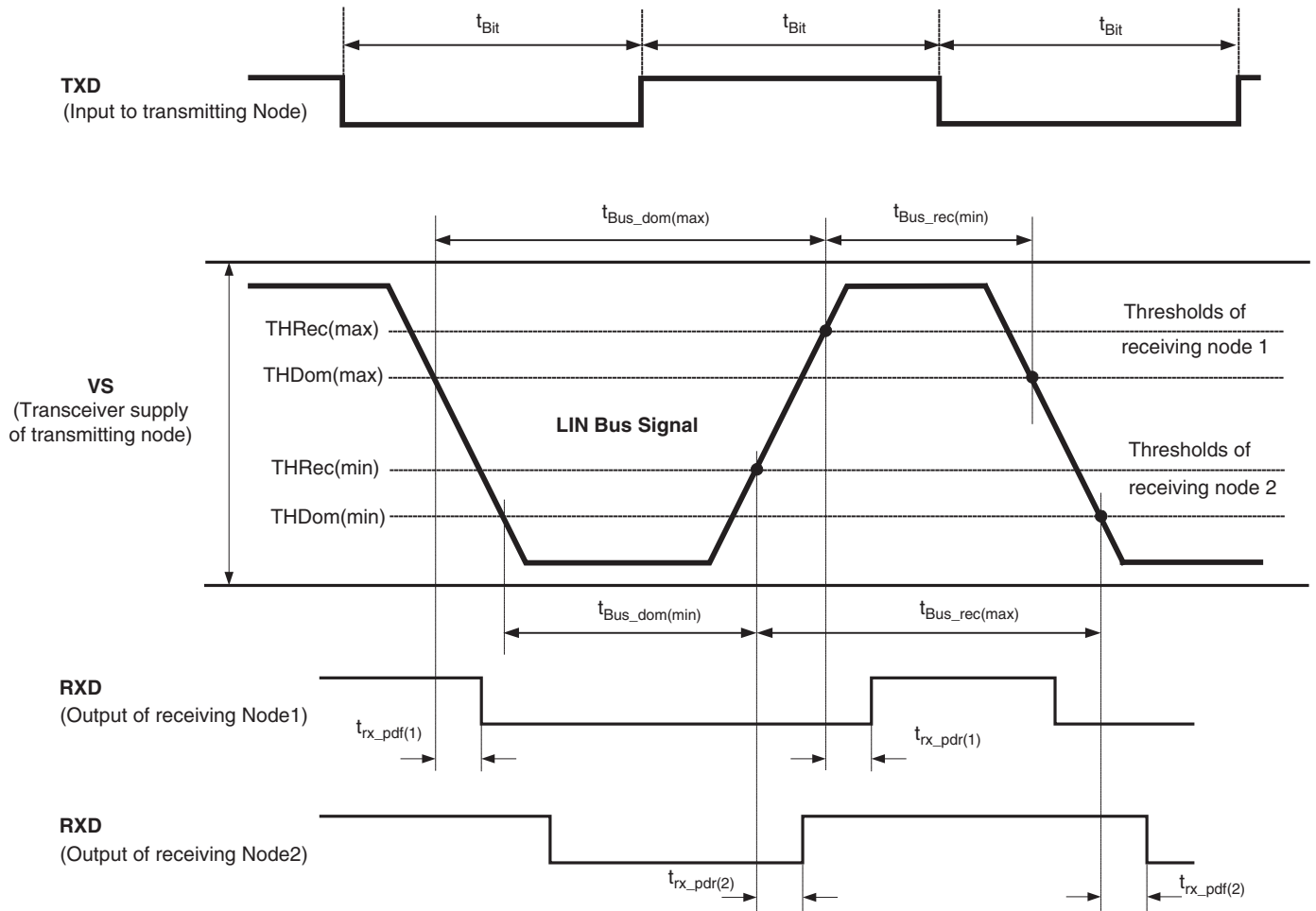
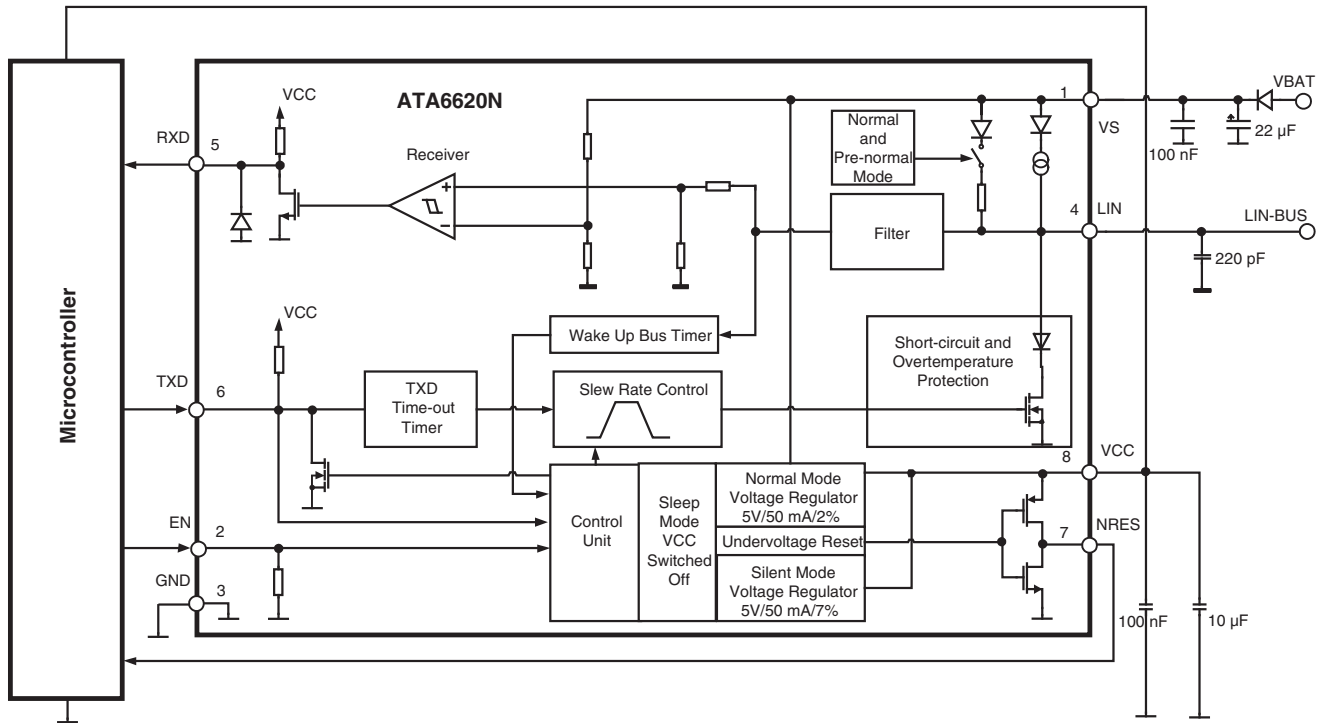


Figure 8-2. Application Circuit



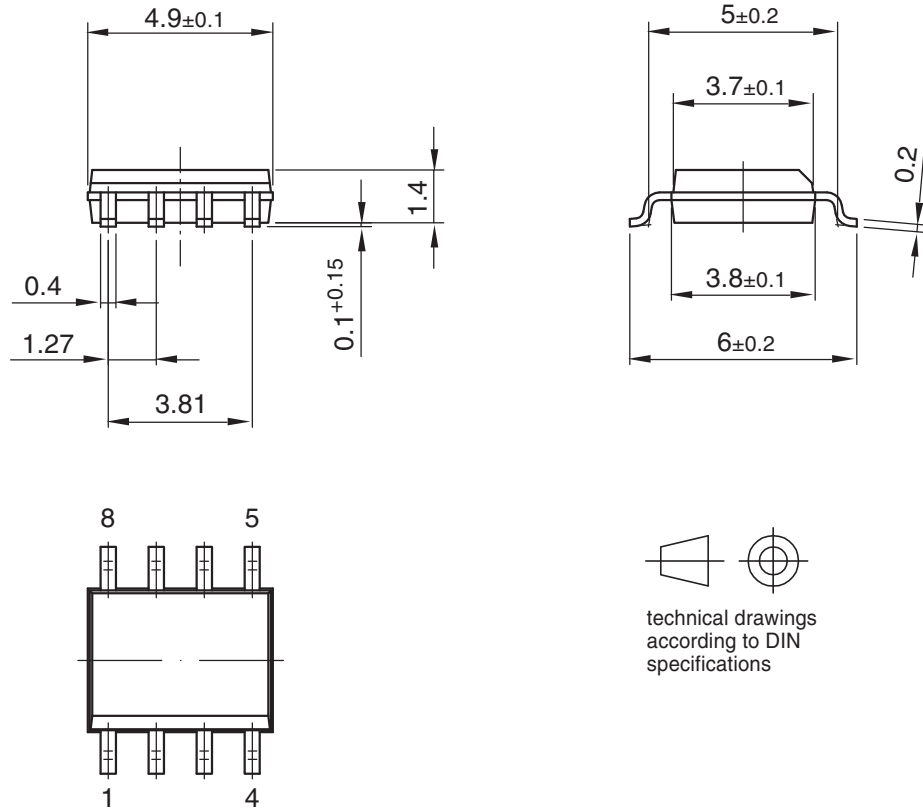
9. Ordering Information

Extended Type Number	Package	Remarks
ATA6620N-TAQY	SO8	LIN system basis chip, Pb-free, 4k, taped and reeled

10. Package Information

Package: SO 8

Dimensions in mm



Drawing-No.: 6.541-5031.01-4

Issue: 1; 15.08.06

11. Revision History

Please note that the following page numbers referred to in this section refer to the specific revision mentioned, not to this document.

Revision No.	History
4850I-AUTO-09/09	<ul style="list-style-type: none"> Put datasheet in newest template Heading 3.2: Supply Pin (VS): text changed El. Characteristics table: row 1.9 changed
4850H-AUTO-12/07	<ul style="list-style-type: none"> Section 3.1 “Physical Layer Compatibility” on page 3 added
4850G-AUTO-10/07	<ul style="list-style-type: none"> Section 9 “Ordering Information” on page 20 changed
4850F-AUTO-07/07	<ul style="list-style-type: none"> Put datasheet in a new template Capital T for time generally changed in a lower case t Section 3.4 “Undervoltage Reset Output (NRES) on page 3 changed Section 4.2.2 “Sleep Mode” on page 8 changed Section 6 “Voltage Regulator” on page 12 changed Section 7 “Absolute Maximum Ratings” on page 13 changed Section 8 “Electrical Characteristics” numbers 5.2, 5.3 and 6.8 on page 15 changed
4850E-AUTO-04/07	<ul style="list-style-type: none"> Put datasheet in a new template ATA6620 in ATA6620N renamed Figure 1-1 “Block Diagram” on page 2 changed Table 2-1 “Pin Description” on page 2 changed Section 4-2 “Modes of Reduced Current Consumption” on page 6 changed Figure 4-3 “LIN Wake-up Waveform Diagram from Silent Mode” on page 7 changed Section 4.2.2 “Sleep Mode” on page 8 changed Figure 4-5 “LIN Wake-up Diagram from Sleep Mode” changed Section 4.2.3 “Wake-up from Sleep/Silent Mode at an Insufficient Falling Edge at pin LIN” on page 9 added Section 4.3 “Pre-normal Mode” on page 10 changed Section 8 “Electrical Characteristics” on pages 14 to 17 changed Figure 8-2 “Application Circuit” on page 19 changed
4850D-AUTO-02/06	<ul style="list-style-type: none"> Section 3.5 “Bus Pin (LIN)” on page 3 changed Figure 4-1 “Mode of Operation” on page 4 changed Figure 4-3 “LIN Wake-up Waveform Diagram from Silent Mode” on page 6 changed Section 4.4 “Pre-normal Mode” on page 7 changed Section 6 “Voltage Regulator” on page 10 changed Figure 6-1 “Save Operating Area versus V_{CC} Output Current and Supply Voltage V_S at Different Ambient Temperatures” on page 10 changed Table “Absolute Maximum Ratings” on page 11 changed Table “Electrical Characteristics” from pages 12 to 15 changed



Headquarters

Atmel Corporation
2325 Orchard Parkway
San Jose, CA 95131
USA
Tel: 1(408) 441-0311
Fax: 1(408) 487-2600

International

Atmel Asia
Unit 1-5 & 16, 19/F
BEA Tower, Millennium City 5
418 Kwun Tong Road
Kwun Tong, Kowloon
Hong Kong
Tel: (852) 2245-6100
Fax: (852) 2722-1369

Atmel Europe
Le Krebs
8, Rue Jean-Pierre Timbaud
BP 309
78054
Saint-Quentin-en-Yvelines Cedex
France
Tel: (33) 1-30-60-70-00
Fax: (33) 1-30-60-71-11

Atmel Japan
9F, Tonetsu Shinkawa Bldg.
1-24-8 Shinkawa
Chuo-ku, Tokyo 104-0033
Japan
Tel: (81) 3-3523-3551
Fax: (81) 3-3523-7581

Product Contact

Web Site
www.atmel.com

Technical Support
auto_control@atmel.com

Sales Contact
www.atmel.com/contacts

Literature Requests
www.atmel.com/literature

Disclaimer: The information in this document is provided in connection with Atmel products. No license, express or implied, by estoppel or otherwise, to any intellectual property right is granted by this document or in connection with the sale of Atmel products. **EXCEPT AS SET FORTH IN ATMEL'S TERMS AND CONDITIONS OF SALE LOCATED ON ATMEL'S WEB SITE, ATMEL ASSUMES NO LIABILITY WHATSOEVER AND DISCLAIMS ANY EXPRESS, IMPLIED OR STATUTORY WARRANTY RELATING TO ITS PRODUCTS INCLUDING, BUT NOT LIMITED TO, THE IMPLIED WARRANTY OF MERCHANTABILITY, FITNESS FOR A PARTICULAR PURPOSE, OR NON-INFRINGEMENT. IN NO EVENT SHALL ATMEL BE LIABLE FOR ANY DIRECT, INDIRECT, CONSEQUENTIAL, PUNITIVE, SPECIAL OR INCIDENTAL DAMAGES (INCLUDING, WITHOUT LIMITATION, DAMAGES FOR LOSS OF PROFITS, BUSINESS INTERRUPTION, OR LOSS OF INFORMATION) ARISING OUT OF THE USE OR INABILITY TO USE THIS DOCUMENT, EVEN IF ATMEL HAS BEEN ADVISED OF THE POSSIBILITY OF SUCH DAMAGES.** Atmel makes no representations or warranties with respect to the accuracy or completeness of the contents of this document and reserves the right to make changes to specifications and product descriptions at any time without notice. Atmel does not make any commitment to update the information contained herein. Unless specifically provided otherwise, Atmel products are not suitable for, and shall not be used in, automotive applications. Atmel's products are not intended, authorized, or warranted for use as components in applications intended to support or sustain life.

© 2009 Atmel Corporation. All rights reserved. Atmel®, logo and combinations thereof, and others are registered trademarks or trademarks of Atmel Corporation or its subsidiaries. Other terms and product names may be trademarks of others.