

阅读申明

- 1.本站收集的数据手册和产品资料都来自互联网，版权归原作者所有。如读者和版权方有任何异议请及时告之，我们将妥善解决。
- 2.本站提供的中文数据手册是英文数据手册的中文翻译，其目的是协助用户阅读，该译文无法自动跟随原稿更新，同时也可能存在翻译上的不当。建议读者以英文原稿为参考以便获得更精准的信息。
- 3.本站提供的产品资料，来自厂商的技术支持或者使用者的心得体会等，其内容可能存在描述上的差异，建议读者做出适当判断。
- 4.如需与我们联系，请发邮件到marketing@iczoom.com，主题请标有“数据手册”字样。

Read Statement

1. The datasheets and other product information on the site are all from network reference or other public materials, and the copyright belongs to the original author and original published source. If readers and copyright owners have any objections, please contact us and we will deal with it in a timely manner.
2. The Chinese datasheets provided on the website is a Chinese translation of the English datasheets. Its purpose is for reader's learning exchange only and do not involve commercial purposes. The translation cannot be automatically updated with the original manuscript, and there may also be improper translations. Readers are advised to use the English manuscript as a reference for more accurate information.
3. All product information provided on the website refer to solutions from manufacturers' technical support or users the contents may have differences in description, and readers are advised to take the original article as the standard.
4. If you have any questions, please contact us at marketing@iczoom.com and mark the subject with "Datasheets" .

ACPL-0820

High Current Dual Line-Driver IC



Data Sheet



Description

ACPL-0820 is a high current dual line-driver IC. With a 5 V single supply, it delivers up to 1.5 A_{PP} current. This is ideal for high current differential mode applications such as a Powerline modem.

ACPL-0820 is internally protected against over-temperature conditions through thermal shutdown and this status is reported by the Status pin. Over-load condition is sensed by internal detection circuitry and is also reported by the Status pin. In addition, with the transmit enable (Tx-en) input, the line-driver output stage can be disabled to reduce power dissipation when not operating.

ACPL-0820 is designated for operation over extended temperature range from -40°C to +85°C. ACPL-0820 is available in SO-8 package.

Applications

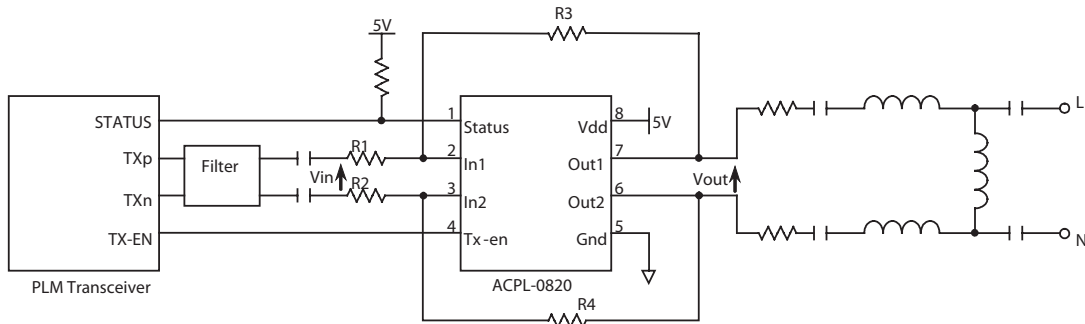
- Automatic meter reading (AMR)
- Powerline modem
- General purpose line driver
- Signal conditioning
- Digital-to-analog converter buffers

Features

- Dual Line-Drivers
- 1.5 A_{PP} driving current
- 3 MHz gain bandwidth product
- -60 dB maximum harmonic distortion
- Drives 7Ω load under bridge configuration with low distortion
- Differential or Single ended to differential connections
- Load detection function
- Over-temperature shutdown
- 5 V single supply
- Temperature range: -40°C to +85°C
- Suitable for FCC Part 15 and EN50065-1 compliant design

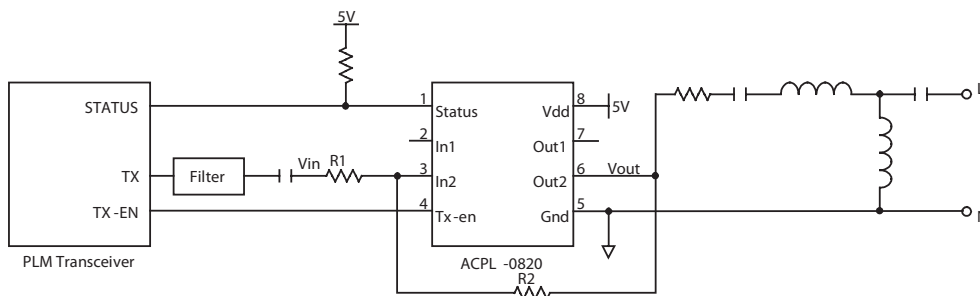
Connection Diagrams

a) Differential to differential Connections



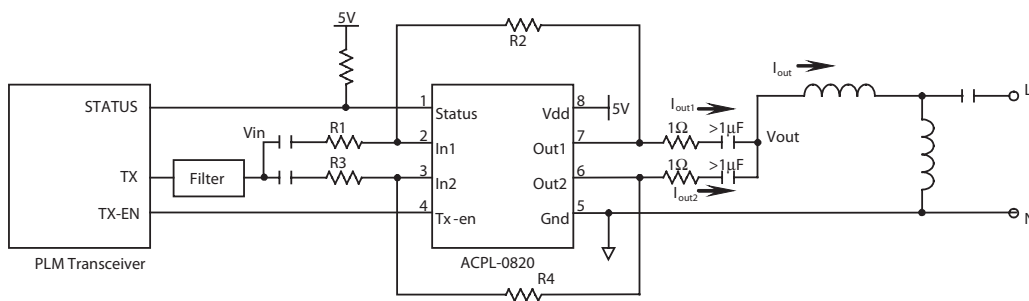
Gain of Amp1 = $-R3/R1$, Gain of Amp2 = $-R4/R2$, $R1=R2, R3=R4$, Overall Differential Output $V_{out} = (R3/R1) \cdot V_{in}$

b) Single-ended to single-ended Connections



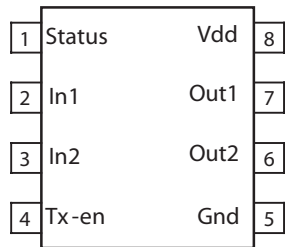
Gain of Amp2 = $-R2/R1$, Overall Output Voltage $V_{out} = -(R2/R1) \cdot V_{in}$

c) High Driving Capacity Connections of Dual Line Drivers



Gain of Amp1 = $-R2/R1$, Gain of Amp2 = $-R4/R3$, $R1 = R3, R2 = R4, R5 = R6$, Overall Output Voltage $V_{out} \approx -(R2/R1) \cdot V_{in}$, $I_{out} = I_{out1} + I_{out2}$

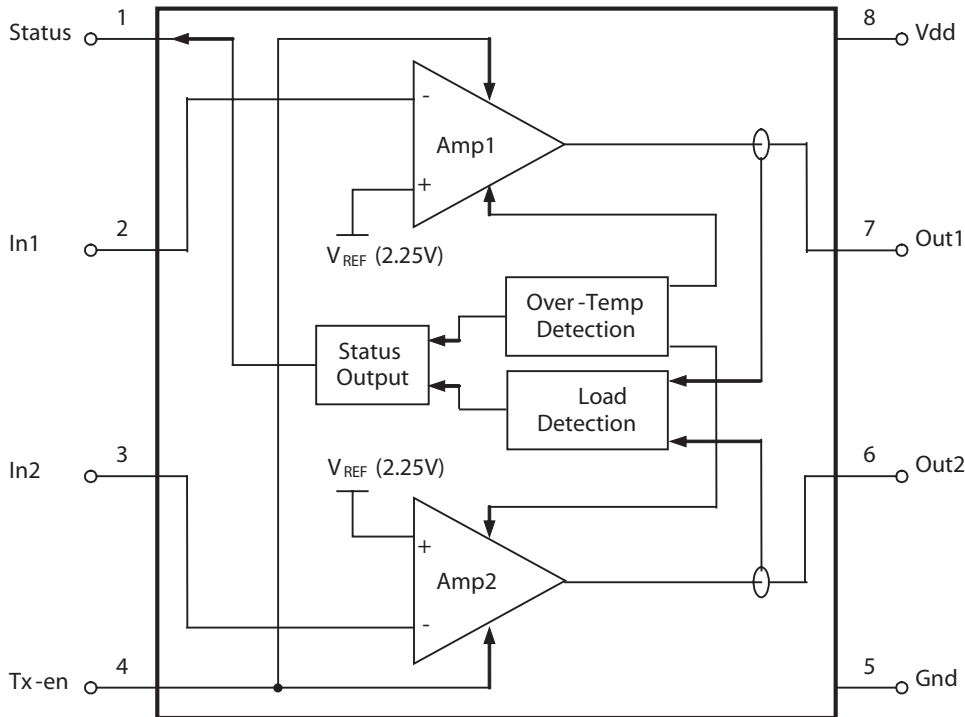
Package Pin Out



Pin Descriptions

Pin No.	Symbol	Function	Description
1	Status	Line condition detection	A logic low indicates line conditions such as - load detection for $I_{out} < -0.25\text{ A}$ - over-temperature detection for $T_j = 130^\circ\text{C}$ (typ.)
2	In1	Amp1 Input	Transmit signal input for 1 st Line Driver
3	In2	Amp2 Input	Transmit signal input for 2 nd Line Driver
4	Tx-en	Transmit enable	A logic high enables both outputs (Out1 & Out2) of the dual line drivers; A logic low disables both outputs and set it to high impedance state (tri-state)
5	GND	Power supply ground	Power supply and signal ground
6	Out2	Amp2 output	Transmit signal output for 2 nd Line Driver
7	Out1	Amp1 output	Transmit signal output for 1 st Line Driver
8	V _{DD}	5 V power supply	5 V DC power supply

Block Diagram



Ordering Information

Part number	Option				Quantity
	RoHS Compliant	Packaging	Surface Mount	Tape & Reel	
ACPL-0820	-000E	SO-8	X		100 per tube
	-500E	SO-8	X	X	1500 per reel

To order, choose a part number from the part number column and combine with the desired option from the option column to form an order entry.

Example 1:

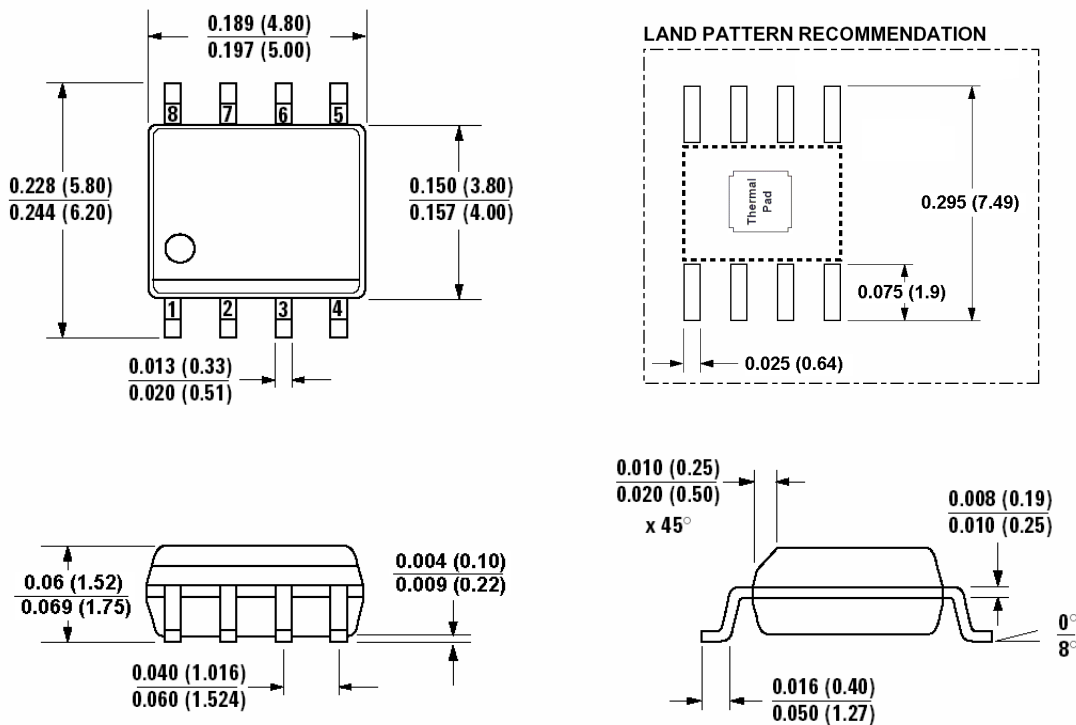
ACPL-0820-500E to order product of SO-8 package in Tape and Reel packaging and RoHS compliant.

Option datasheets are available. Contact your Avago sales representative or authorized distributor for information.

Remarks: The notation '#XXX' is used for existing products, while (new) products launched since 15th July 2001 and RoHS compliant option will use '-XXXE'.

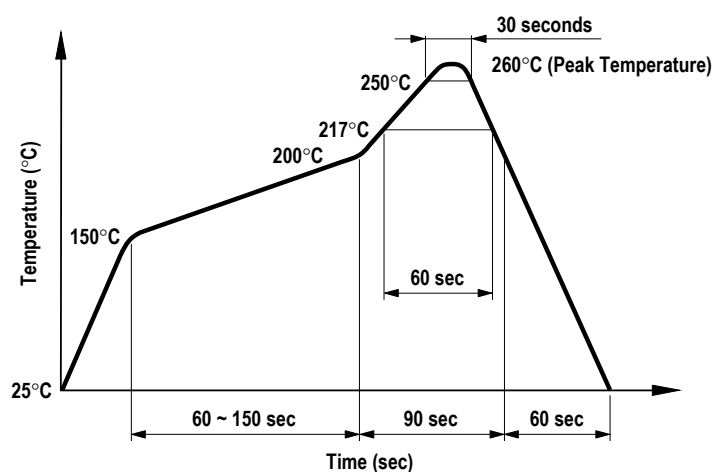
Package Outline Drawings

ACPL-0820 Small Outline SO-8 Package



DIMENSIONS IN INCHES AND (MILLIMETERS)

Recommended Pb-free IR Profile



Note: Non-halide flux should be used.

- 1) One-time soldering reflow is recommended within the condition of temperature and time profile shown.
- 2) When using another soldering method such as infrared ray lamp, the temperature may rise partially in the mold of the device. Keep the temperature on the package of the device within the condition of (1) above.

Absolute Maximum Ratings

Parameter	Symbol	Min.	Max.	Unit
Storage Temperature	T_S	-55	125	°C
Ambient Operating Temperature	T_A	-40	85	°C
Junction Temperature	T_J		150	°C
Supply Voltage	V_{DD}	-0.5	5.5	Volts
Output Voltage	V_O	-0.5	V_{DD}	Volts
Tx-in Voltage	V_{IN1} or V_{IN2}	-0.5	V_{DD}	Volts
Tx-en Voltage	V_{Tx-en}	-0.5	V_{DD}	Volts
Solder Reflow Temperature Profile	(See Solder Reflow Temperature Profile Section)			

Recommended Operating Conditions

Parameter	Symbol	Min.	Typ.	Max.	Unit
Ambient Operating Temperature	T_A	-40	25	85	°C
Supply Voltage	V_{DD}	4.75	5	5.25	V

Electrical Specifications

Unless otherwise noted, for sinusoidal waveform input, all typical values are at $T_A = 25^\circ\text{C}$ and $V_{DD} = 5\text{V}$; all Minimum/Maximum specifications are at Recommended Operating Limits. (Note: $V_{In} = V_{In1} - V_{In2}$)

Parameter	Symbol	Min.	Typ.	Max.	Unit	Test Condition	Fig.	Note
V _{DD} Supply Current	I _{dd}		2.1	7.1	mA	V _{Tx-en} = 0V, V _{Inp} (& V _{Inn}) = 0V _{PP} , I _{Out} (I _{Out1} & I _{Out2}) no load	1	
			30	40	mA	V _{Tx-en} = 5V, V _{Inp} (& V _{Inn}) = 0V _{PP} , I _{Out} (I _{Out1} & I _{Out2}) no load	2,3	
Junction Over-Temperature Detection Threshold			130		°C	V _{Tx-en} = 5V, V _{Inp} (or V _{Inn}) = 0V _{PP} , I _{Out} (I _{Out1} & I _{Out2}) no load	12,14	
Junction Over-Temperature Shutdown Threshold			150		°C	V _{Tx-en} = 5V, V _{Inp} (or V _{Inn}) = 1V _{PP} , I _{Out} (I _{Out1} & I _{Out2}) no load	11,14	1
Load Detection Threshold			0.5 (Diff)		App	V _{Tx-en} = 5V, V _{Inp} (& V _{Inn}) = 1.25V _{PP} , f = 132kHz, Gain = -2, R _{L1} (& R _{L2}) = 2.5Ω	10,13	2
Status Logic High Output	V _{Status-H}	V _{DD} -1		V _{DD}	V	V _{DD} = 3.5V, I _{Status} = -2mA		
Status Logic Low Output	V _{Status-L}	0		0.8	V	V _{DD} = 5V, I _{Status} = 2mA		
Power Supply Rejection Ratio	PSRR		72		dB	50Hz ripple, V _{rippe} 200mV _{PP} , V _{Tx-en} = 5V, V _{Inp} (or V _{Inn}) = 0V _{PP} , I _{Out} (I _{Out1} & I _{Out2}) no load		
DC Bias Voltage	V _{Bias}		2.25		V	V _{Tx-en} = 5V, I _{Out} (I _{Out1} & I _{Out2}) no load		
Output Impedance	Z _O		12		kΩ	V _{Tx-en} = 0V, V _{Inp} (or V _{Inn}) = 0V _{PP} , open loop, f = 132kHz		
			0.5		Ω	V _{Tx-en} = 5V, V _{Inp} (or V _{In2}) = 0V _{PP} , f = 132kHz		
Gain Bandwidth Product	GBW	2	3		MHz	V _{Tx-en} = 5V, V _{In1} (or V _{Inn}) = 1V _{PP} , R _{L1} (& R _{L2}) = 25Ω	4, 14	
Transmit Enable Threshold Voltage	V _{th,(Tx-en)}	0.8	1.6	2.4	V	V _{Inp} (or V _{Inn}) = 1V _{PP} , f = 132kHz, I _{Out} (I _{Out1} & I _{Out2}) no load		
Tx Enable Time	τ		0.2	2	μs	V _{Tx-en} = 0->5V, V _{Inp} = 1.25V _{PP} , V _{Inn} = 3.25V _{PP} , f = 132kHz, R _{L1} (& R _{L2}) = 470Ω	9, 15	
Tx Disable Time			0.9		μs	V _{Tx-en} = 5->0V, V _{Inp} = 1.25V _{PP} , V _{Inn} = 3.25V _{PP} , f = 132kHz, R _{L1} (& R _{L2}) = 470Ω	9, 15	
2nd Harmonic Distortion	HD2		-69	-60	dB	V _{Tx-en} = 5V, V _{Out1} (& V _{Out2}) = 3.5V _{PP} , Gain = -2, R _L = 50Ω, T _A = 25°C	5-8, 16	3
3rd Harmonic Distortion	HD3		-74	-65	dB			3
Output Current	I _O		1.5		App	V _{Tx-en} = 5V, f = 132kHz		4
Thermal Resistance	θ _{JA}		110		°C/W	1oz. copper trace, 2-layer PCB, still air, T _A = 25°C		
			40		°C/W	1oz. copper trace, 4-layer PCB, still air, T _A = 25°C		
2nd Harmonic Distortion (1 App Load)	HD2		-55		dB	V _{Tx-en} = 5V, V _{Out1} (& V _{Out2}) = 3.5V _{PP} , f = 132kHz, Gain = -2, R _L = 7Ω, T _A = 25°C		3
3rd Harmonic Distortion (1 App Load)	HD3		-65		dB			3

Notes:

1. Threshold of rising junction temperature with hysteresis of 20°C (typ.).
2. See Application Information section for more information on the load detection feature.
3. Values obtained at differential mode connections.
4. Transmit duty ratio to be limited to 0.5 maximum.

Performance Plots

Unless otherwise noted, all typical plots are at $T_A = 25^\circ\text{C}$, $V_{DD} = 5\text{V}$, sinusoidal waveform input.
(Note: $A_{OL} = A_{OL1}$ or A_{OL2})

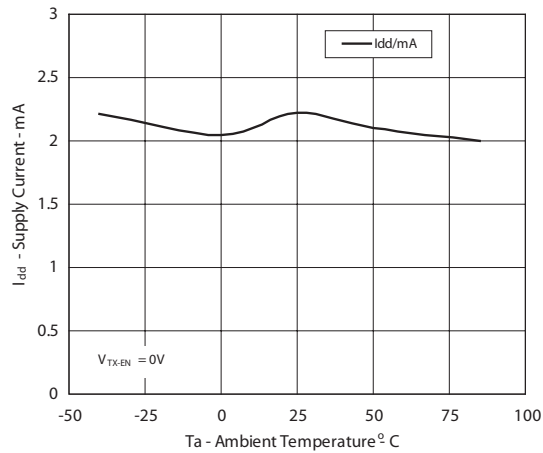


Figure 1. Supply Current vs Temperature for Tx disabled.

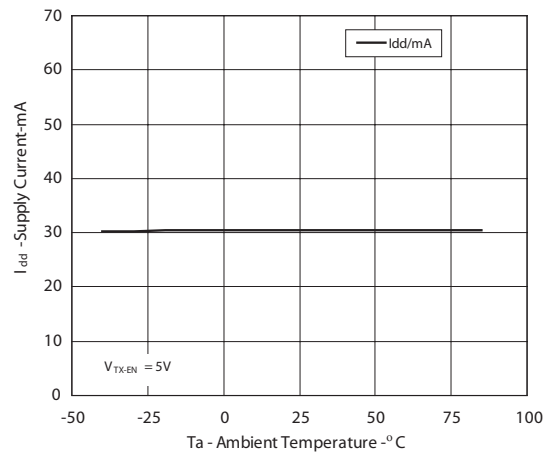


Figure 2. Supply Current vs Temperature for Tx enabled.

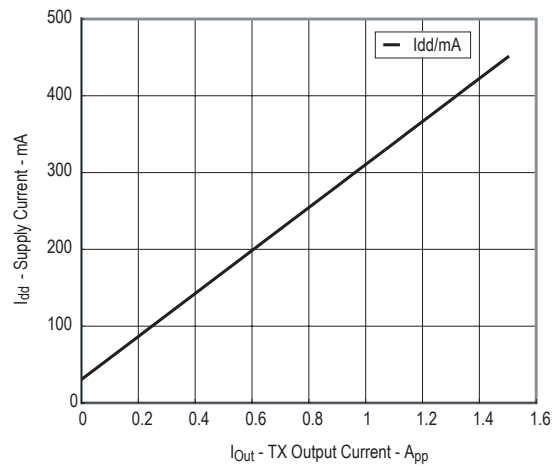


Figure 3. Supply Current vs Output Current.

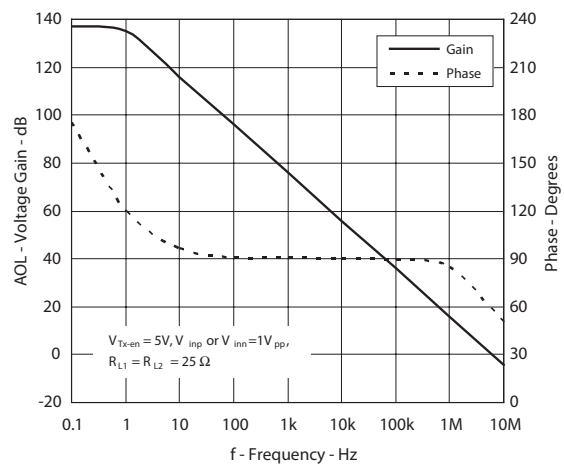


Figure 4. Gain and phase vs. frequency.

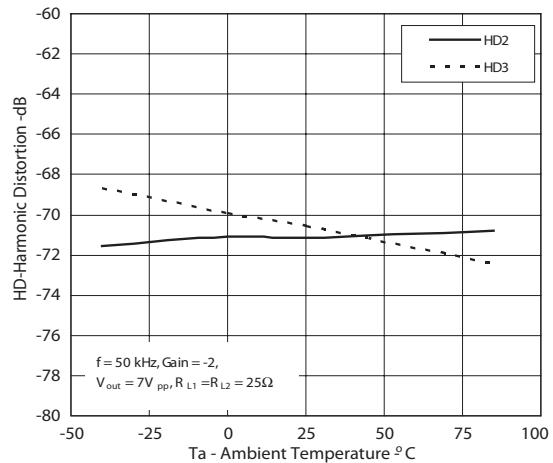


Figure 5. Output harmonic distortion vs. temperature for $f = 50\text{kHz}$.

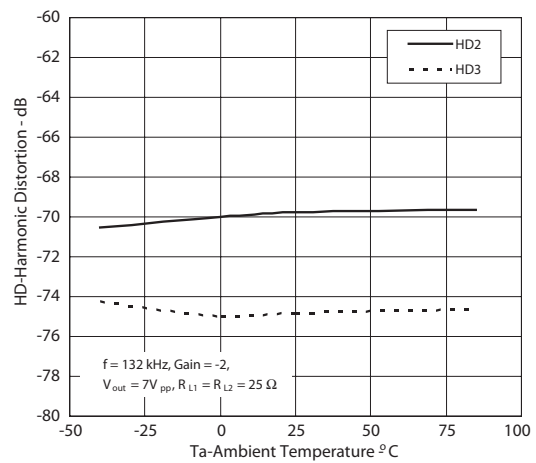


Figure 6. Output harmonic distortion vs. temperature for $f = 132\text{kHz}$.

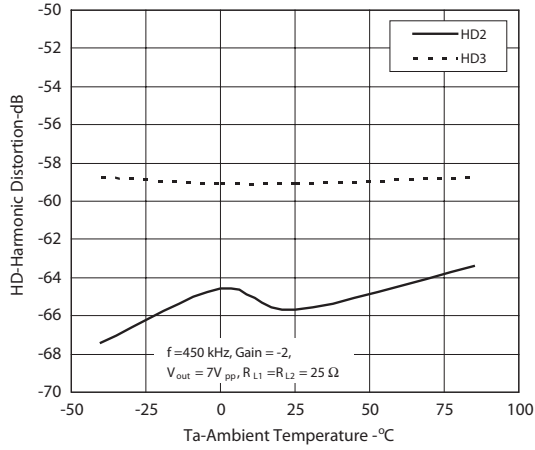


Figure 7. Output Harmonics Distortion Vs temperature for f=450kHz.

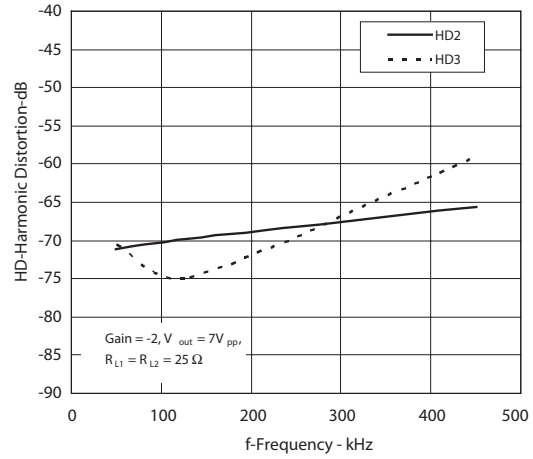


Figure 8. Output harmonic distortion vs. Frequency.

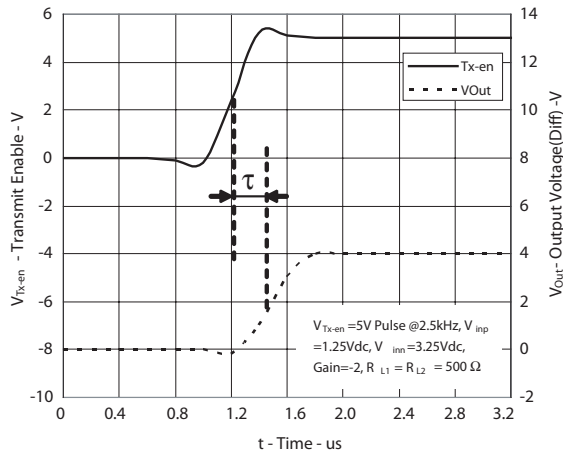


Figure 9. Tx enable time.

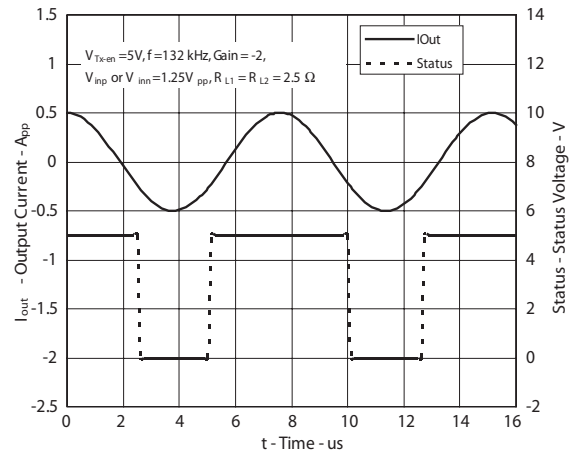


Figure 10. Output load detection.

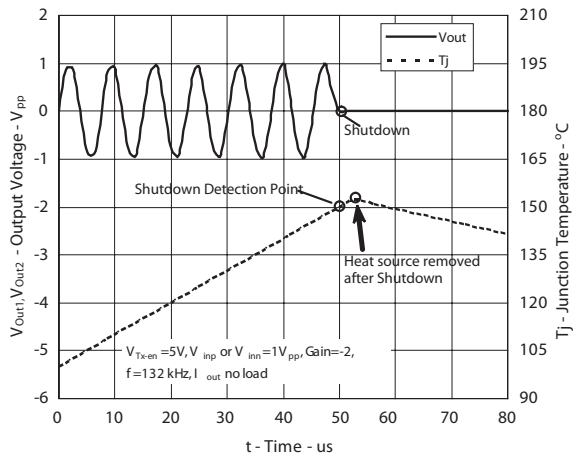


Figure 11. Out1 or Out2 Thermal Characteristics.

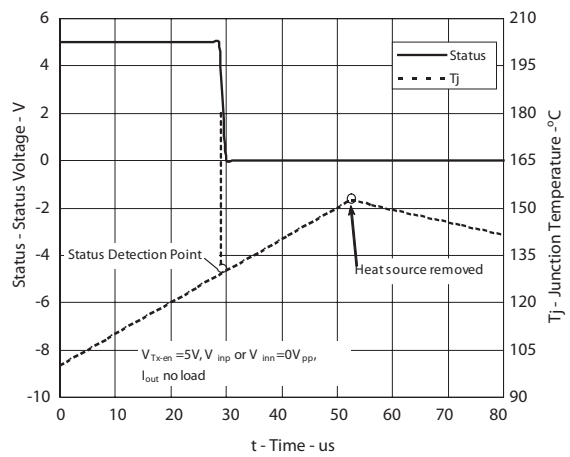


Figure 12. Status O/P Thermal Characteristics.

Test Circuit Diagrams

Unless otherwise noted, all test circuits are at $T_A = 25^\circ\text{C}$, $V_{DD} = 5\text{V}$, sinusoidal waveform input, and signal frequency $f = 132\text{kHz}$.

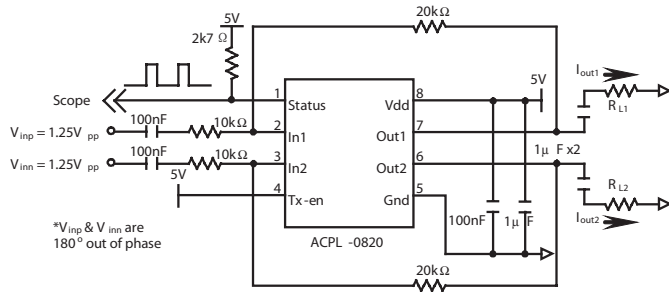


Figure 13. Load detection test circuit.

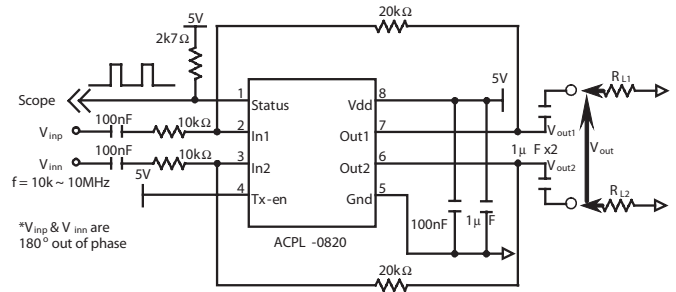


Figure 14. Gain bandwidth product & Over Temp test circuit.

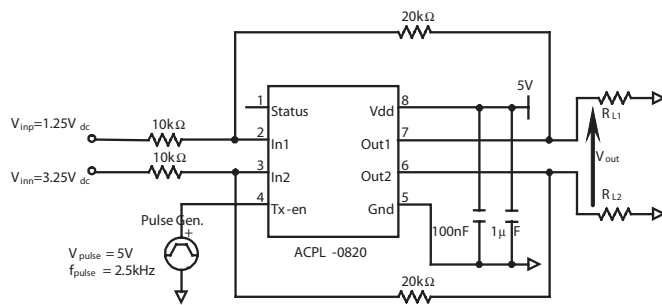


Figure 15. Tx enable/disable time test circuit.

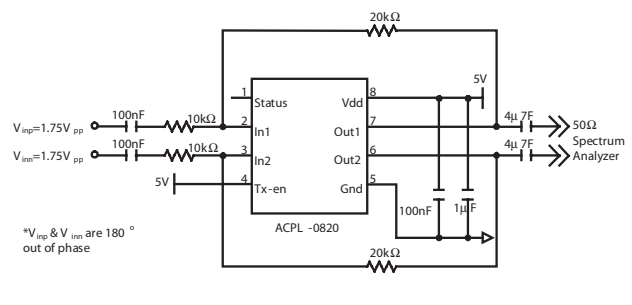


Figure 16. Tx-out harmonic distortion test circuit.

Application Information

ACPL-0820 is designed to work with various transceivers and can be used with a variety of modulation methods including ASK, FSK and BPSK. Figure 17 shows a typical

transformer isolated line driving application in a powerline modem using Frequency Shift Keying (FSK) modulation scheme.

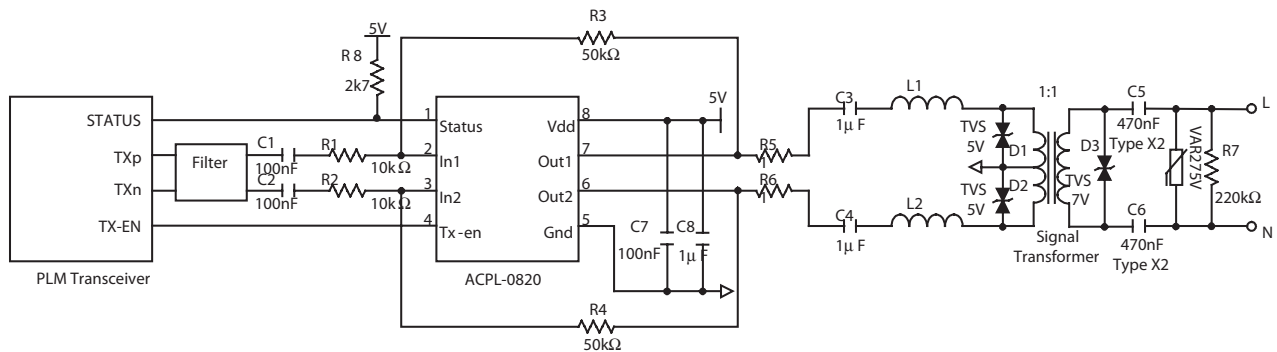


Figure 17. Schematic of Isolated ACPL-0820 application for FSK modulation scheme.

Line Driver

The dual line drivers combined is capable of driving powerline load impedances with output signals up to 7 VPP. The biasing point of the line driver is controlled internally. The biasing point set enables optimum modulation frequencies up to 150 kHz.

The outputs of the line drivers are coupled onto the powerline using a simple differential mode LC coupling circuit as shown in Figure 18. Refer to Table 1 for some typical component values. Capacitors C5 & C6 and inductor L3 attenuate the 50/60 Hz powerline transmission frequency. A suitable value for L3 can range in value from 200 μ H to 1 mH. To reduce the series coupling impedance at the modulation frequency, L1 & L2 are included to compensate for the reactive impedance of C3 & C4. These inductors should be of a low resistance type capable of meeting the peak current requirements. To meet safety regulatory requirements, capacitors C5 & C6 need to be of X2 safety rated. Since these types of capacitors typically have a very wide tolerance range of 20%, it is recommended to use as low a Q factor as possible for the L1/C3 & L2/C4 combinations.

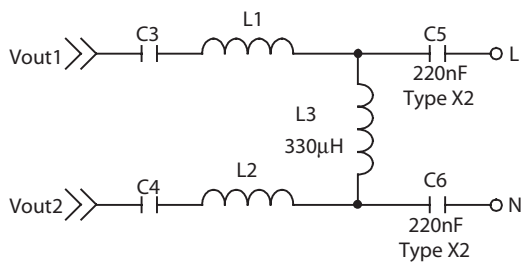


Figure 18. LC coupling network.

Table 1. Typical component values for LC coupling network.

Carrier Frequency (kHz)	LC Coupling	
	L1 (or L2) (μ H)	C3 (or C4) (nF)
110	15	150
120	10	220
132	6.8	220
150	6.8	220

Although the series coupling impedance is minimized to reduce insertion loss, it has to be sufficiently large to limit the peak current to the desired level in the worst expected powerline load condition. The peak output current is effectively limited by the total series coupling resistance, which is made up of the series resistance of L1 & L2, the series resistance of the fuse and any other resistive elements connected in the coupling network.

For product information and a complete list of distributors, please go to our web site:

To reduce power dissipation when not operating in transmit mode the line driver stage is shut down to a low power high impedance state (or tri-state) by pulling the Tx-en input (pin 4) to a logic low state.

External Transient Voltage Protection

To protect ACPL-0820 against high voltage transients caused by voltage surges and disconnecting/connecting the modem, it is necessary to add external bi-directional transient voltage protectors such as D1, D2 (both 5V rated) & D3 (7V rated) as shown in Figure 17 in the circuit. But care must be taken to ensure that the total output capacitance as seen by each output is not more than 1nF to prevent oscillations.

Another mandatory protection against AC power surges from the mains can be achieved by adding an appropriate Metal Oxide Varistor (MOV) across the powerline terminals after the fuse.

Internal Protection and Sensing

ACPL-0820 includes 2 sensing and protection features to ensure robust operation under wide ranging environmental conditions.

The 1st protection features is the over-temperature shut-down. This particular feature protects the line driver stage from over-temperature stress. Should the IC junction temperature reach a level above 150°C, the line driver circuit will be shut down and the output of Status (pin 1) is pulled to the logic low state simultaneously.

The 2nd feature is load detection sensing feature. The powerline impedance is quite unpredictable and varies not just at different connection points but is also time variant. ACPL-0820 includes this current sensing feature, which may be utilized to feedback information on the instantaneous powerline load conditions. Should the output current reaches a level greater than 0.5 App, the status pin output is pulled to a logic low state for the entire duration when the peak current is exceeding -0.25 A, as shown in Figure 10. Using the period of the pulse together with the known coupling impedance, the actual powerline load can be calculated. Table 2 shows the logic output of the Status pin.

Table 2. Status pin logic output.

	Normal	Over-Temperature	I < -0.25 A
Status output	High	Low	Low (pulsed)

www.avagotech.com