

阅读申明

- 1.本站收集的数据手册和产品资料都来自互联网，版权归原作者所有。如读者和版权方有任何异议请及时告之，我们将妥善解决。
- 2.本站提供的中文数据手册是英文数据手册的中文翻译，其目的是协助用户阅读，该译文无法自动跟随原稿更新，同时也可能存在翻译上的不当。建议读者以英文原稿为参考以便获得更精准的信息。
- 3.本站提供的产品资料，来自厂商的技术支持或者使用者的心得体会等，其内容可能存在描述上的差异，建议读者做出适当判断。
- 4.如需与我们联系，请发邮件到marketing@iczoom.com，主题请标有“数据手册”字样。

Read Statement

1. The datasheets and other product information on the site are all from network reference or other public materials, and the copyright belongs to the original author and original published source. If readers and copyright owners have any objections, please contact us and we will deal with it in a timely manner.
2. The Chinese datasheets provided on the website is a Chinese translation of the English datasheets. Its purpose is for reader's learning exchange only and do not involve commercial purposes. The translation cannot be automatically updated with the original manuscript, and there may also be improper translations. Readers are advised to use the English manuscript as a reference for more accurate information.
3. All product information provided on the website refer to solutions from manufacturers' technical support or users the contents may have differences in description, and readers are advised to take the original article as the standard.
4. If you have any questions, please contact us at marketing@iczoom.com and mark the subject with "Datasheets" .

Capacitive Sensor Control IC Series

Capacitive Sensor Switch Control IC


BU21051FS

No.09048EBT05

●Description

BU21051FS are the capacitive sensor controller with 2ch respectively.
The IC has the port interface and easy to replace the point of switch to this controller.

●Features

- 1) Port output interface
- 2) Few software control
- 3) 2ch GPIO outputs
- 4) 5V power supply voltage available
- 5) Integrated 10bit AD converter, clock and reset
- 6) Package SSOP-A16

●Applications

It is possible to use it widely as a switch such as home electric appliance.

●Absolute Maximum Ratings (Ta=25°C)

PARAMETER	SYMBOL	RATING		UNIT
		MIN	MAX	
Applied voltage	AVDD	-0.3	7.0	V
	DVDD	-0.3	7.0	
Input voltage	VAIN	-0.3	AVDD + 0.3	V
	VDIN	-0.3	DVDD + 0.3	
Storage temperature range	T _{stg}	-55	125	°C
Power dissipation	P _d	500		mW

Ambient temperature reduces a permission loss by 5mW per case more than 25 degrees Celsius, 1 degree Celsius

●Recommended Operating conditions

PARAMETER	SYMBOL	RATING			UNIT
		MIN	TYP	MAX	
Applied voltage	AVDD	4.5	5.0	5.5	V
	DVDD	4.5	5.0	5.5	
Operating temperature range	T _{opr}	-40	25	85	°C

●Electrical characteristics(Especially, Topr=25°C and AVDD=DVDD=0 as long as it doesn't specify it.)

PARAMETER	SYMBOL	RATING			UNIT	Condition
		MIN	TYP	MAX		
DC characteristics						
Input“H”voltage	VIHIO	DVDD x 0.9	-	DVDD + 0.2	V	
Input“L”voltage	VILIO	GND – 0.2	-	DVDD x 0.1	V	
Output“H”voltage	VOH	GND	-	DVDD x 0.2	V	IOH = -2[mA]. Overshoot is excluded.
Output“L”voltage	ILZ	-1	-	1	μA	
Input leakage current	IOZ	-1	-	1	μA	
Output leakage current	IST	-	-	2	μA	Shutdown (SDN=“L”)
Standby current	IDD	-	500	-	uA	

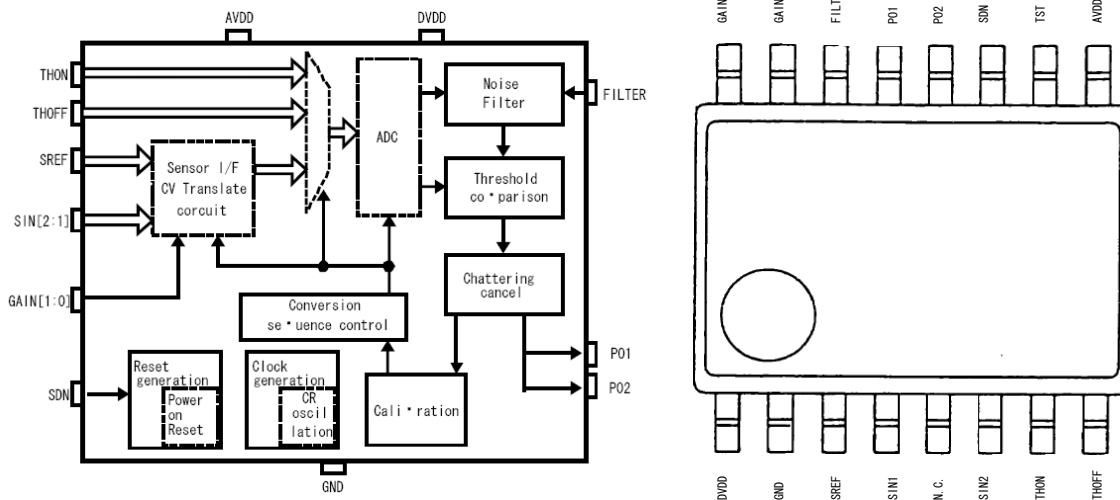
●A/D Converter

PARAMETER	SYMBOL	RATING			UNIT	Condition
		MIN	TYP	MAX		
Resolution		-	10	-	bit	
Analog Input voltage	VAIN	GND	-	AVDD	V	
Change clock frequency	f _{adck}	0.2	-	1.0	MHz	
Change time	t _{tim}	-	13	-	μsec	f _{adck} = 1[MHz]
Zero scale voltage		-	-	GND + 0.07	V	
Full scale voltage		AVDD - 0.07	-	-	V	
Differential non line accurate	DNL	-	-	±3	LSB	
Integrate non line accurate	INL	-	-	±3	LSB	

●CR Oscillator characteristic

PARAMETER	SYMBOL	RATING			UNIT	Condition
		MIN	TYP	MAX		
Oscillation Frequency	f _{cr}	0.9	1.6	2.5	MHz	

●Block Diagram, Pin configuration



●Sensor I/F CV Conversion Circuit:

This part selects target sensor and converts its capacitance to a voltage signal. Specifically, alleight sensors are selected one-by-one and their capacity is compared to a common referencecapacity. Each difference value is converted to a certain voltage signal.

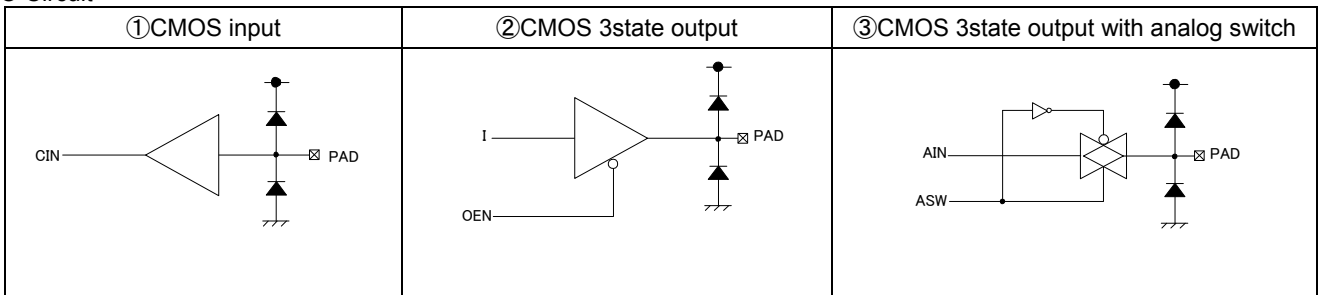
- AD Conversion
The voltage signal derived from CV conversion is further converted to digital value by this block.
- Conversion Sequence Control
This block controls the process of CV conversion and generates timing of selecting target sensors.
- Noise Filter
The GND level difference between appliance and human body will cause noises to the CV conversion
- Compare threshold
CV converted to sensor data On / Off compared with a threshold, the switch converts the signal.
- Calibration
When the capacitance change do not exceed the threshold for a certain period, this blockstarts-up calibration process.
- Reset Generation
This is internal reset circuit. Reset is initialized by external SDN signal.
- Clock Generation
Clock from internal RC oscillation circuit is used as system clock.

● Pin Description

Pin No	Name	I/O	Function	Notes	Supply reference	Reset level ^{※1}	I/O Pad
1	DVDD	Power	Digital part Power supply	Digital part Power supply	-		
2	GND	Ground	Ground	-	-		
3	SREF	AIn	Standard capacitor input	-	AVDD	“Hi-Z”	③
4	SIN1	AIn	Sensor input1	-	AVDD	“Hi-Z”	③
5	N.C.	-	No connect	-	-	-	-
6	SIN2	AIn	Sensor input 2	-	AVDD	“Hi-Z”	③
7	THON	AIn	Sensor ON threshold voltage input	-	AVDD	“Hi-Z”	③
8	THOFF	AIn	Sensor OFF threshold voltage input	-	AVDD	“Hi-Z”	③
9	AVDD	Power	Analog part Power supply	-	-		
10	TST	In	Test input	Usually tide to “L”	DVDD	-	①
11	SDN	In	Shutdown input	“H” : state of operation “L” : halt condition	DVDD		①
12	PO2	Out	Switch output 2	Sensor pin2 On → “L”, Off → “Hi-Z”	DVDD	“Hi-Z”	②
13	PO1	Out	Switch output 1	Sensor pin1 On → “L”, Off → “Hi-Z”	DVDD	“Hi-Z”	②
14	FILTER	In	Filter selection	“H”: Filter effect: strong “L”: Filter effect: Weak	DVDD		①
15	GAIN[0]	In	Gain level selection	GAIN[1:0] = 00 : Strong GAIN[1:0] = 01 : ↑ Gain GAIN[1:0] = 10 : GAIN[1:0] = 11 : Weak	DVDD		①
16	GAIN[1]	In			DVDD		①

※*1 Initial State ① When internal organs power-on reset is effective
② When SDN = “L”

● I/O Circuit



【THON: Button OFF→ON threshold value judge】

【THOFF: Button ON→OFF threshold value judge】

Setting the threshold value of electrostatic Sensor Switches. By applying voltages can be set.
As an example, 1/2VDD applied to the entire range of the sensor output 1 / 2 to set the threshold value.
In fact, the voltage setting resistance to the partial pressure is recommended to us.

【GAIN Selection】

Sensor gain can be set in 4 stages

GAIN[1:0] = 00 (x92)

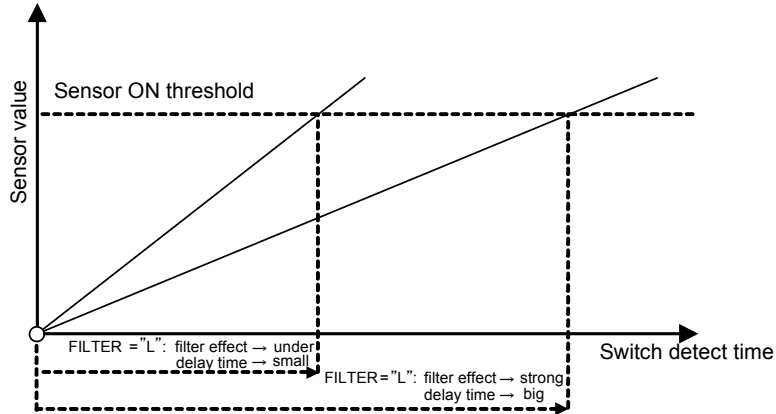
GAIN[1:0] = 01 (x69)

GAIN[1:0] = 10 (x46)

GAIN[1:0] = 11 (x1)

【Filter selection】

The noise filter effect can be selected. If "Strong" is selected, noise will get down, but the reaction time will be longer.

**●Setting method**

- 1) Please for the first time in a minimum gain.
- 2) THOFF = 0V, and, THON 1/2VDD voltage as a guideline for whether or not to switch ON, and gain selection to please the rough.

Note: ON gain to a minimum, you gain more precision amended to increase the impact too, so please take note.

●Operation Mode

This IC has several modes, called detection mode, calibration mode, and shut-down mode. Each mode is described as follow

【Detection Mode】

This is normal operation mode of this IC. In this mode, IC detects the sensor capacitance continually.

【Calibration Mode】

Under detection mode when no operation has been detected for sometime, Sensor offset calibration will be done. And the interval between each calibration is fixed

Detection mode and Calibration mode are switched automatically.

【Shutdown Mode】

When SDN pin is set to "L", IC will be shut-down and all internal circuits will stop working. IC will work again when SDN pin is set to "H".

●Power Supply ON Sequence

This IC has two power input pins AVDD and DVDD. Power ON sequence must be whether set DVDD first or set the two at one time. Since internal reset circuit is monitoring AVDD, wrong power ON sequence may cause initialization error.

●Ordering number

B	U
---	---

Part No

2	1	0	5	1
---	---	---	---	---

Part No

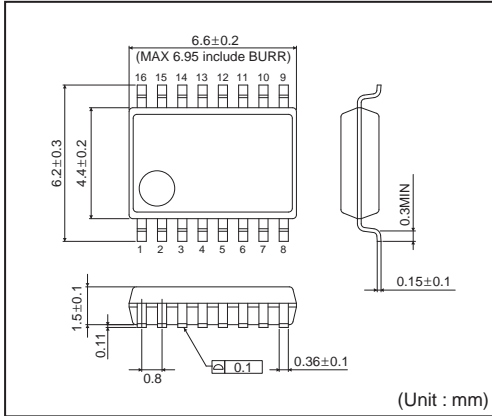
F	S
---	---

Package
FS : SSOP-A16

E	2
---	---

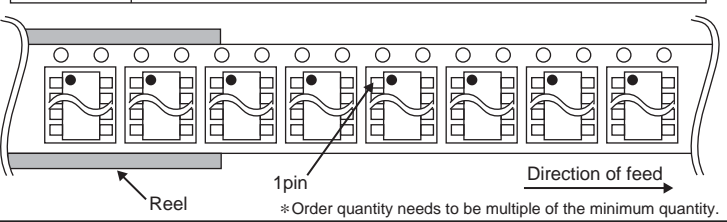
Packaging and forming specification
E2 : Embossed tape and reel

SSOP-A16



<Tape and Reel information>

Tape	Embossed carrier tape
Quantity	2500pcs
Direction of feed	E2 (The direction is the 1pin of product is at the upper left when you hold reel on the left hand and you pull out the tape on the right hand)



Notes

No copying or reproduction of this document, in part or in whole, is permitted without the consent of ROHM Co.,Ltd.

The content specified herein is subject to change for improvement without notice.

The content specified herein is for the purpose of introducing ROHM's products (hereinafter "Products"). If you wish to use any such Product, please be sure to refer to the specifications, which can be obtained from ROHM upon request.

Examples of application circuits, circuit constants and any other information contained herein illustrate the standard usage and operations of the Products. The peripheral conditions must be taken into account when designing circuits for mass production.

Great care was taken in ensuring the accuracy of the information specified in this document. However, should you incur any damage arising from any inaccuracy or misprint of such information, ROHM shall bear no responsibility for such damage.

The technical information specified herein is intended only to show the typical functions of and examples of application circuits for the Products. ROHM does not grant you, explicitly or implicitly, any license to use or exercise intellectual property or other rights held by ROHM and other parties. ROHM shall bear no responsibility whatsoever for any dispute arising from the use of such technical information.

The Products specified in this document are intended to be used with general-use electronic equipment or devices (such as audio visual equipment, office-automation equipment, communication devices, electronic appliances and amusement devices).

The Products specified in this document are not designed to be radiation tolerant.

While ROHM always makes efforts to enhance the quality and reliability of its Products, a Product may fail or malfunction for a variety of reasons.

Please be sure to implement in your equipment using the Products safety measures to guard against the possibility of physical injury, fire or any other damage caused in the event of the failure of any Product, such as derating, redundancy, fire control and fail-safe designs. ROHM shall bear no responsibility whatsoever for your use of any Product outside of the prescribed scope or not in accordance with the instruction manual.

The Products are not designed or manufactured to be used with any equipment, device or system which requires an extremely high level of reliability the failure or malfunction of which may result in a direct threat to human life or create a risk of human injury (such as a medical instrument, transportation equipment, aerospace machinery, nuclear-reactor controller, fuel-controller or other safety device). ROHM shall bear no responsibility in any way for use of any of the Products for the above special purposes. If a Product is intended to be used for any such special purpose, please contact a ROHM sales representative before purchasing.

If you intend to export or ship overseas any Product or technology specified herein that may be controlled under the Foreign Exchange and the Foreign Trade Law, you will be required to obtain a license or permit under the Law.



Thank you for your accessing to ROHM product informations.
More detail product informations and catalogs are available, please contact us.

ROHM Customer Support System

<http://www.rohm.com/contact/>